



US00D581437S

(12) **United States Design Patent**  
**Randazzo et al.**

(10) **Patent No.:** **US D581,437 S**  
(45) **Date of Patent:** **\*\* Nov. 25, 2008**

(54) **BARRIER MOVEMENT OPERATOR HOUSING**

(75) Inventors: **Matthew Randazzo**, Itasca, IL (US);  
**Clifford Krapfl**, Chicago, IL (US);  
**Robert Carl Coon**, Chicago, IL (US);  
**Tim J. Morton**, Chicago, IL (US); **Tad Harden**, Romeoville, IL (US)

(73) Assignee: **The Chamberlain Group, Inc.**,  
Elmhurst, IL (US)

(\*\*) Term: **14 Years**

(21) Appl. No.: **29/228,174**

(22) Filed: **Apr. 20, 2005**

(51) **LOC (8) Cl.** ..... **15-09**

(52) **U.S. Cl.** ..... **D15/148**

(58) **Field of Classification Search** ..... D10/104,  
D10/106; D15/148, 149; 49/25, 26, 197-206;  
74/89.22; 160/188-201; 192/150

See application file for complete search history.

(56) **References Cited**

**U.S. PATENT DOCUMENTS**

D466,141	S	*	11/2002	Mullet et al.	.....	D15/148
D469,114	S	*	1/2003	Coullahan et al.	.....	D15/148
6,595,569	B1	*	7/2003	McKinney	.....	296/51
D492,333	S	*	6/2004	Guzman et al.	.....	D15/148
D506,485	S	*	6/2005	Guzman et al.	.....	D15/148
D513,022	S	*	12/2005	Moe	.....	D15/148
D519,138	S	*	4/2006	Guzman et al.	.....	D15/148
2004/0020612	A1	*	2/2004	Bosio	.....	160/188
2006/0265956	A1	*	11/2006	Angiuli	.....	49/32

\* cited by examiner

*Primary Examiner*—Sandra Snapp

*Assistant Examiner*—Patricia Palasik

(74) *Attorney, Agent, or Firm*—Fitch, Even, Tabin & Flannery

(57) **CLAIM**

The ornamental design for a barrier movement operator housing, as shown and described.

**DESCRIPTION**

FIG. 1 is a perspective view showing a first embodiment of a barrier movement operator housing;

FIG. 2 is a front elevational view of the barrier movement operator housing of FIG. 1;

FIG. 3 is a rear elevational view of the barrier movement operator housing of FIG. 1;

FIG. 4 is a side elevational view of the barrier movement operator housing of FIG. 1, the opposite side elevational view being a mirror image thereof;

FIG. 5 is a top plan view of the barrier movement operator housing of FIG. 1;

FIG. 6 is a bottom plan view of the barrier movement operator housing of FIG. 1;

FIG. 7 is a perspective view showing a second embodiment of a barrier movement operator housing;

FIG. 8 is a front elevational view of the barrier movement operator housing of FIG. 7;

FIG. 9 is a rear elevational view of the barrier movement operator housing of FIG. 7;

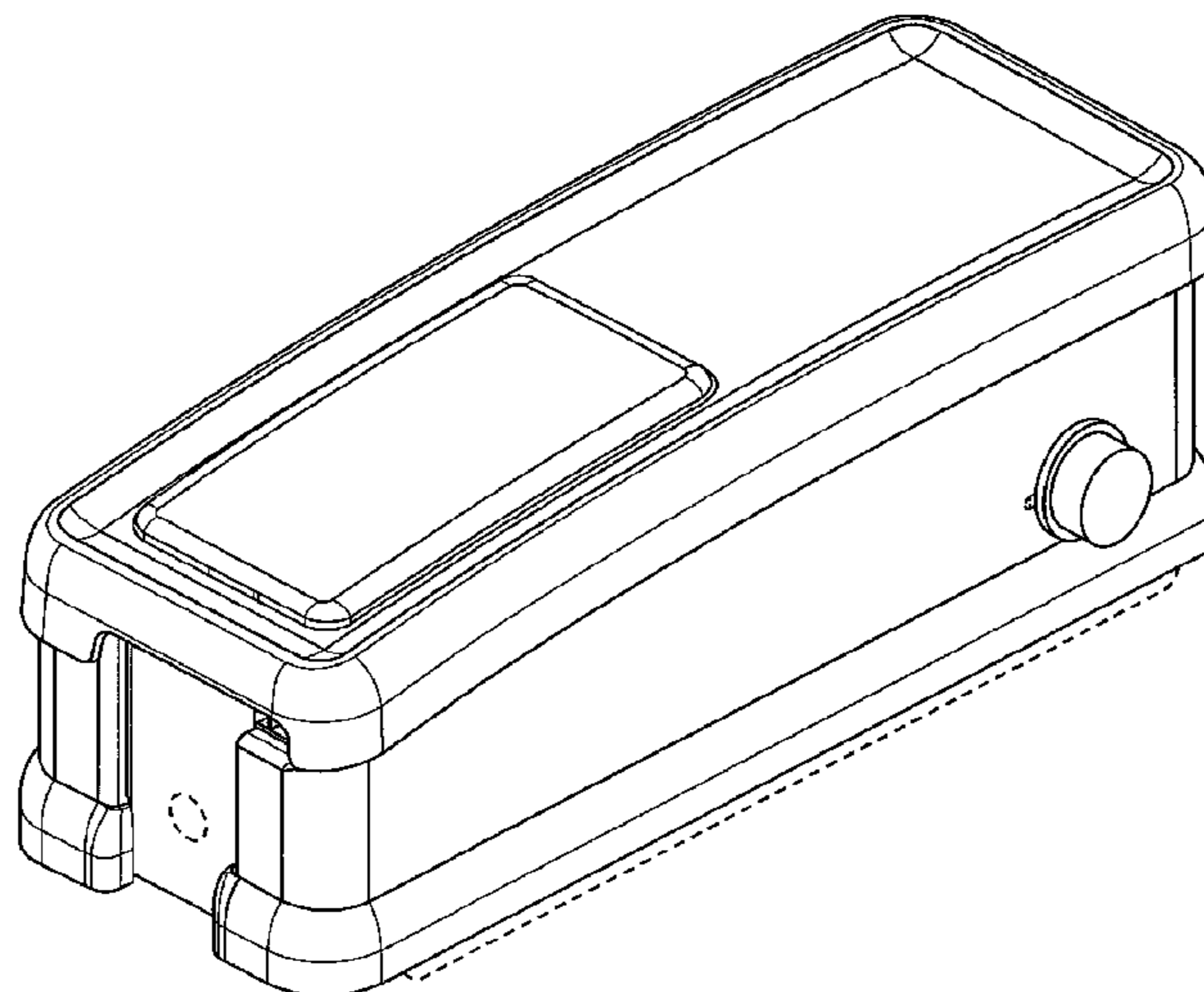
FIG. 10 is a side elevational view of the barrier movement operator housing of FIG. 7, the opposite side elevational view being a mirror image thereof;

FIG. 11 is a top plan view of the barrier movement operator housing of FIG. 7; and,

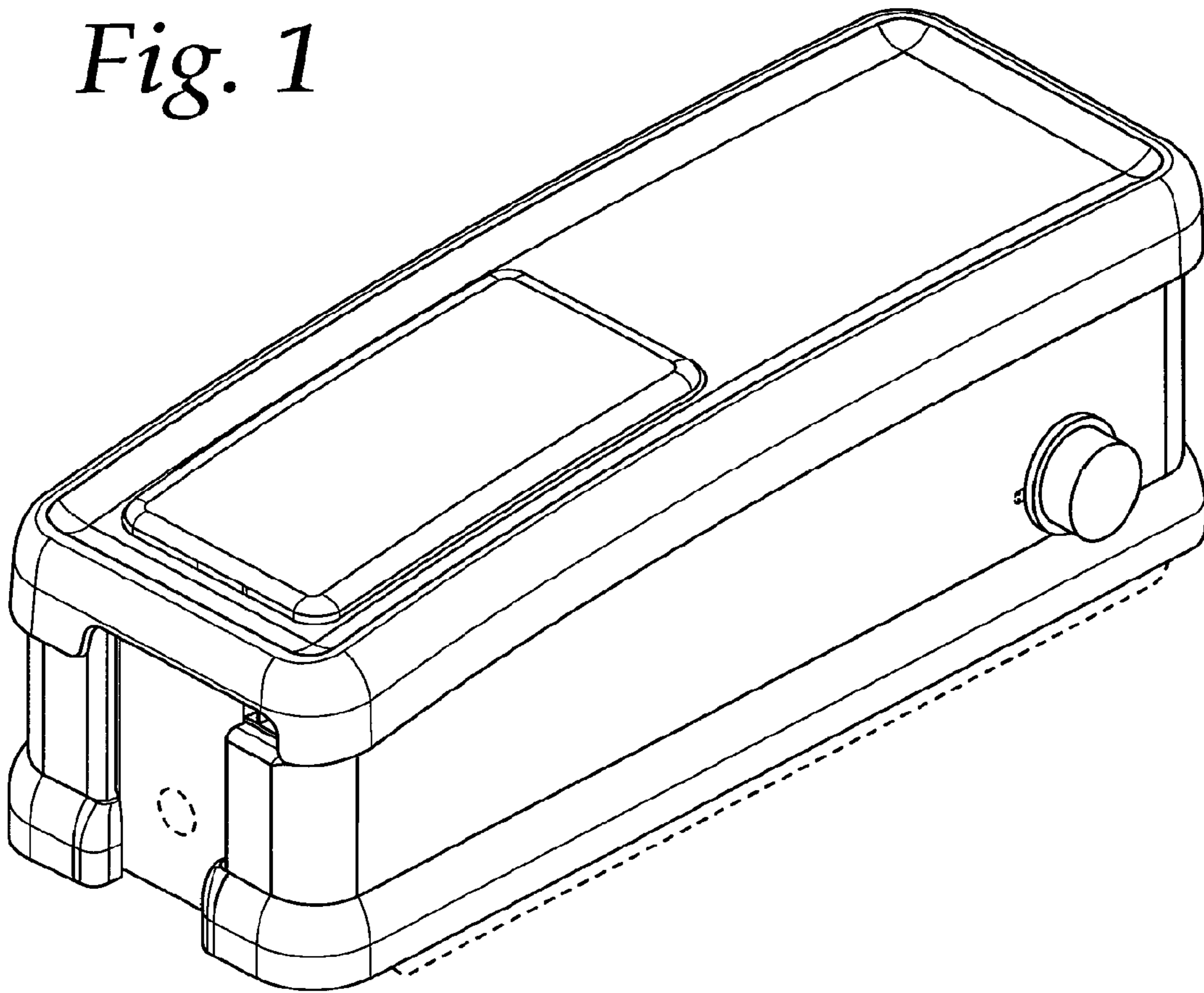
FIG. 12 is a bottom plan view of the barrier movement operator housing of FIG. 7.

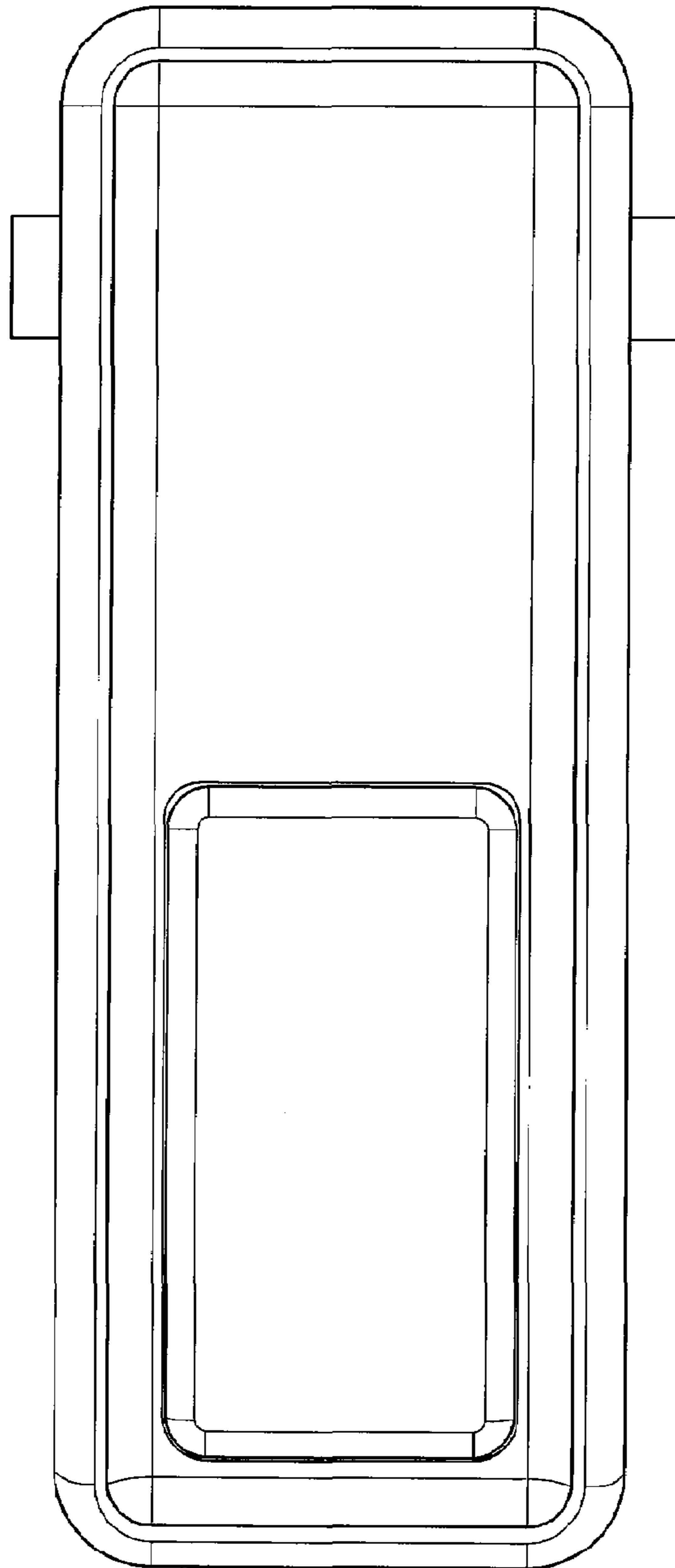
Portions of the barrier movement operator housing shown in broken lines in the figures are for illustrative purposes only and form no part of the claimed design.

**1 Claim, 10 Drawing Sheets**

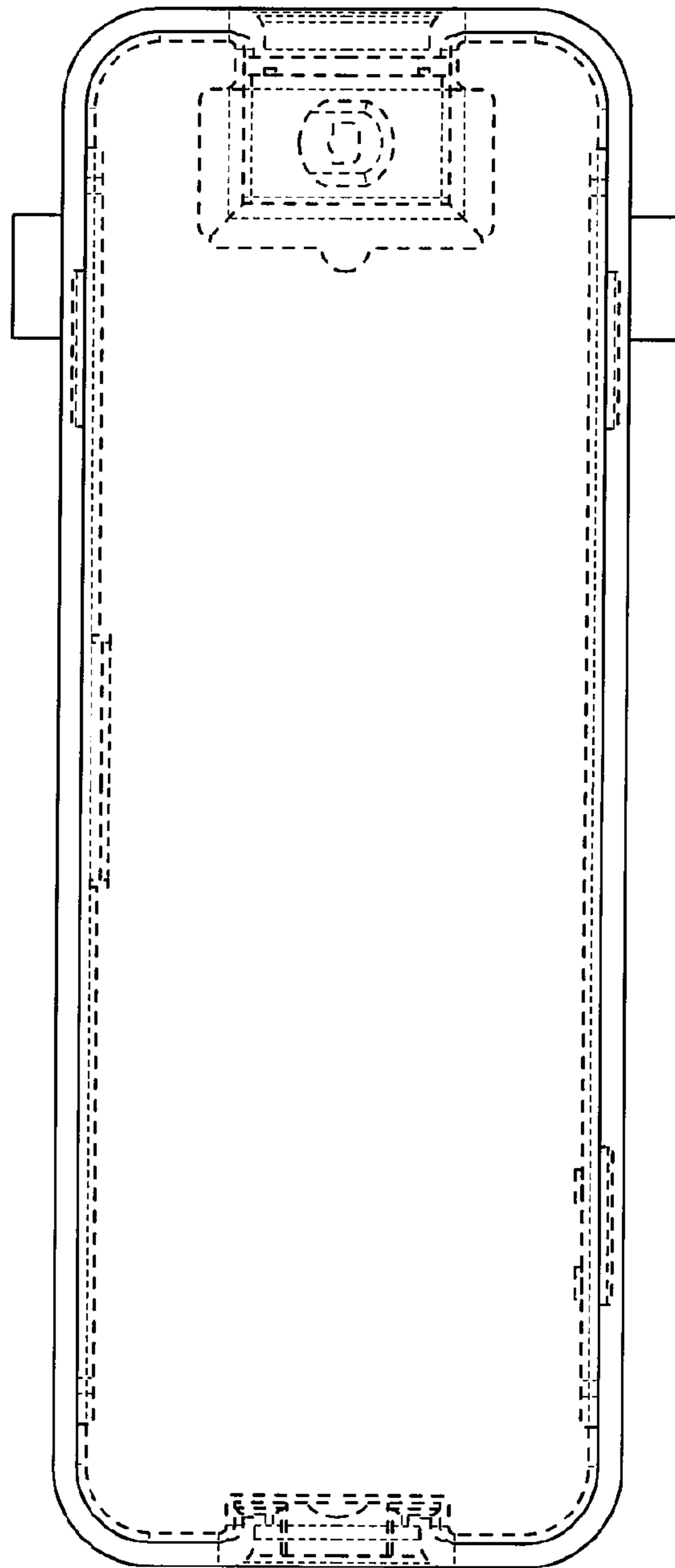


*Fig. 1*

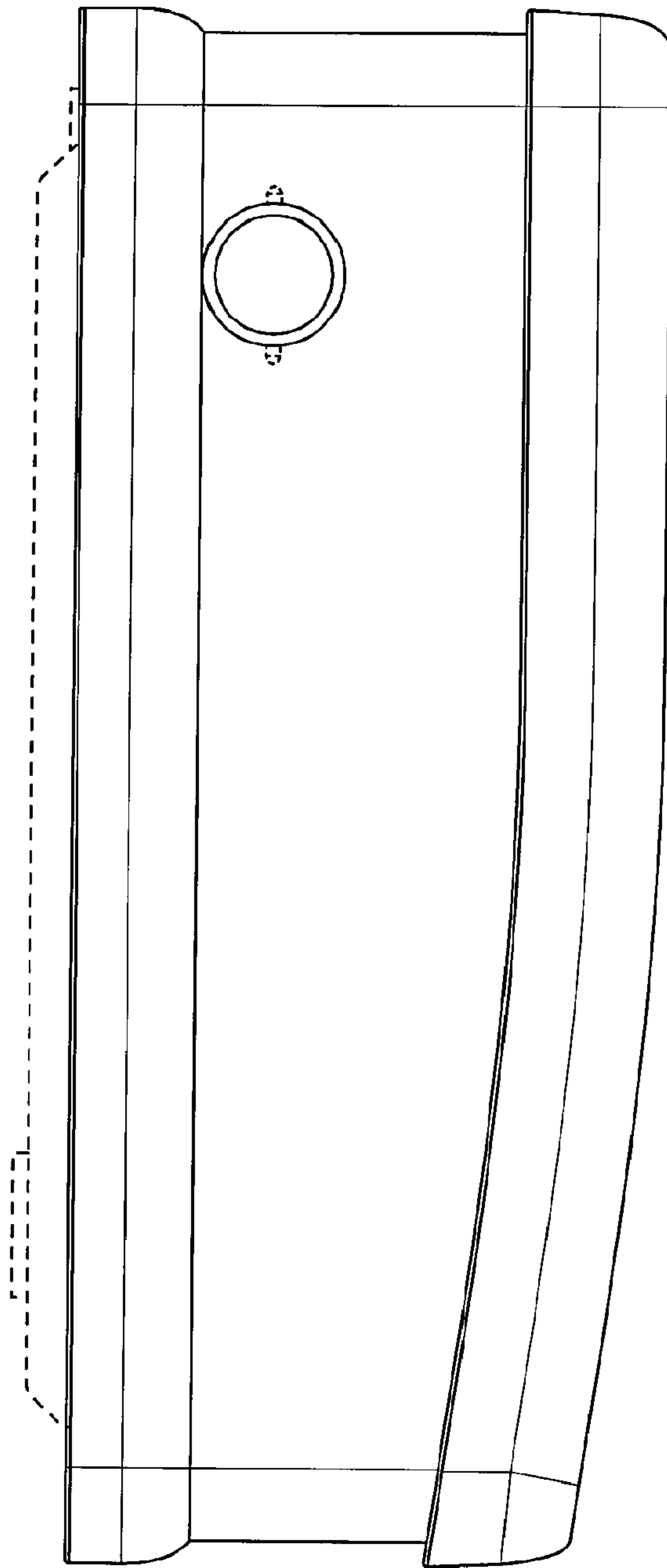




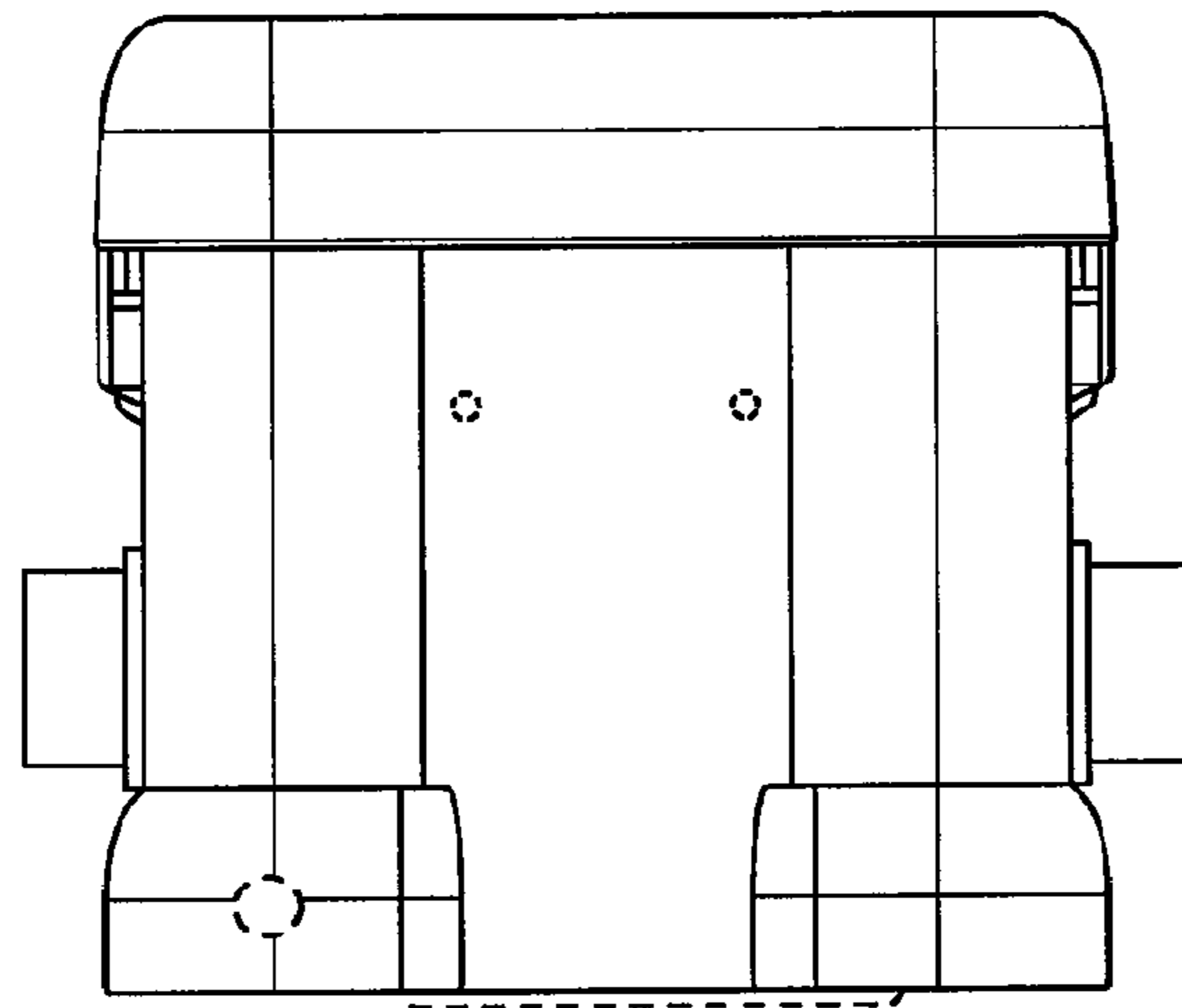
*Fig. 2*



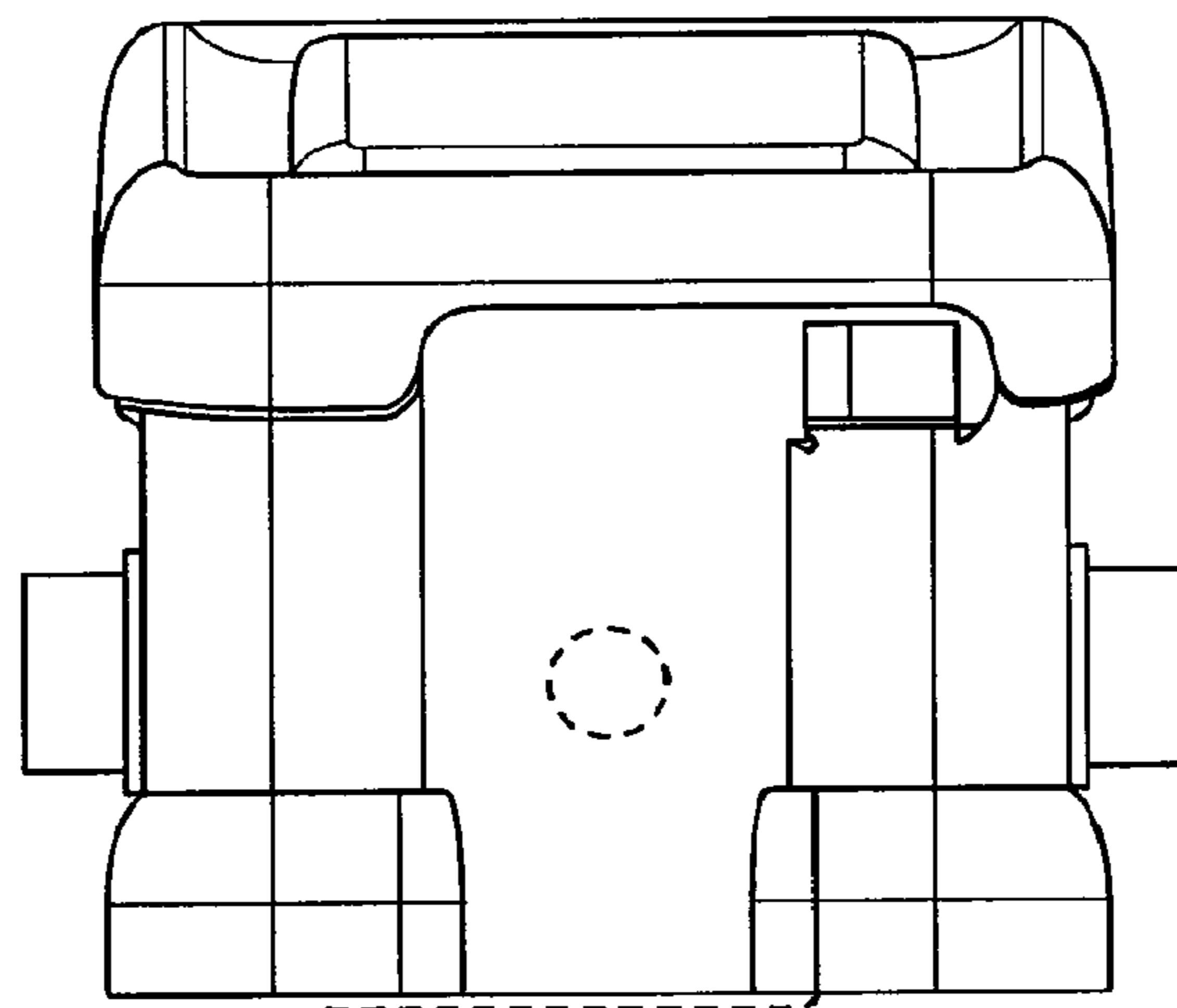
*Fig. 3*



*Fig. 4*

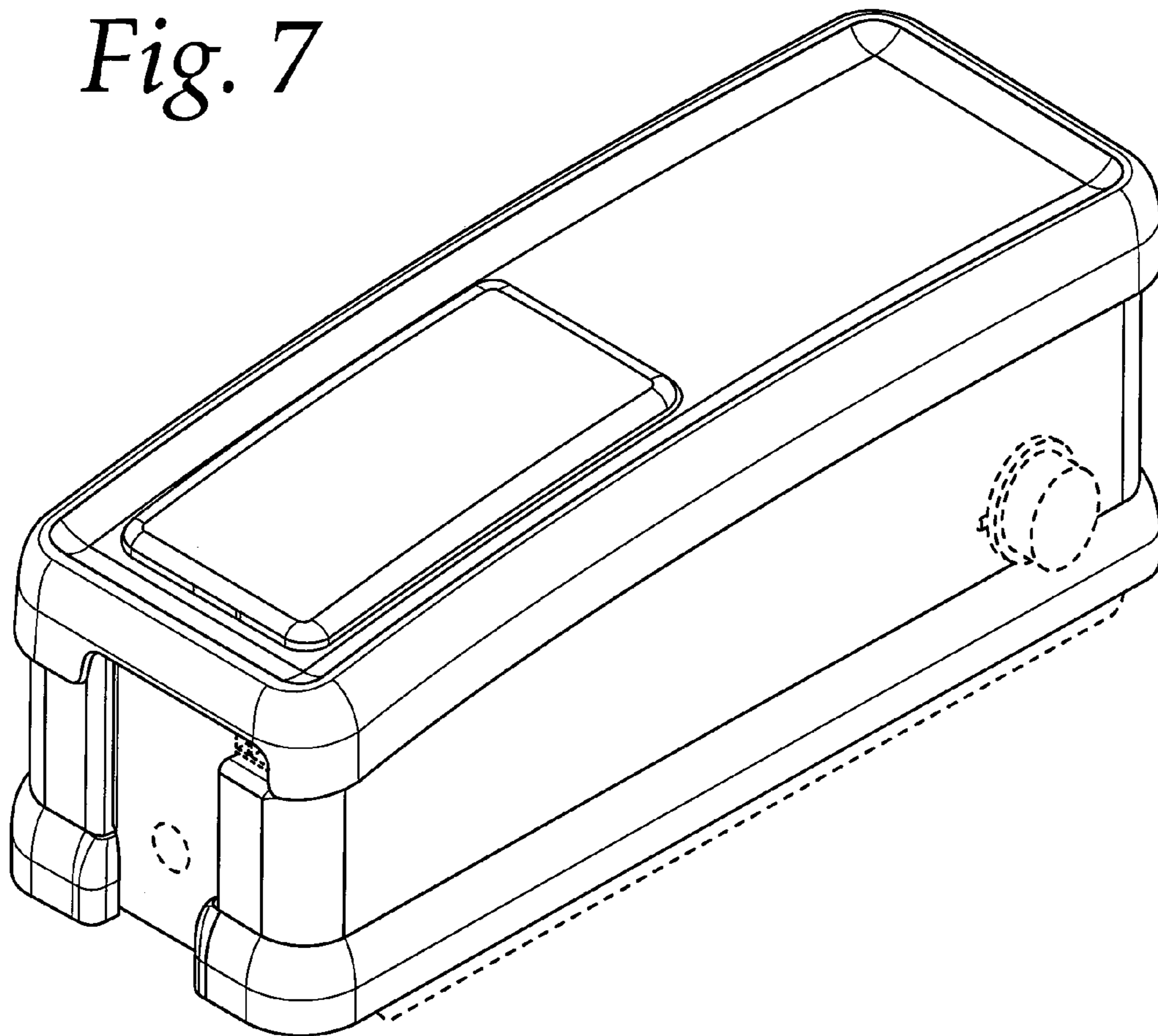


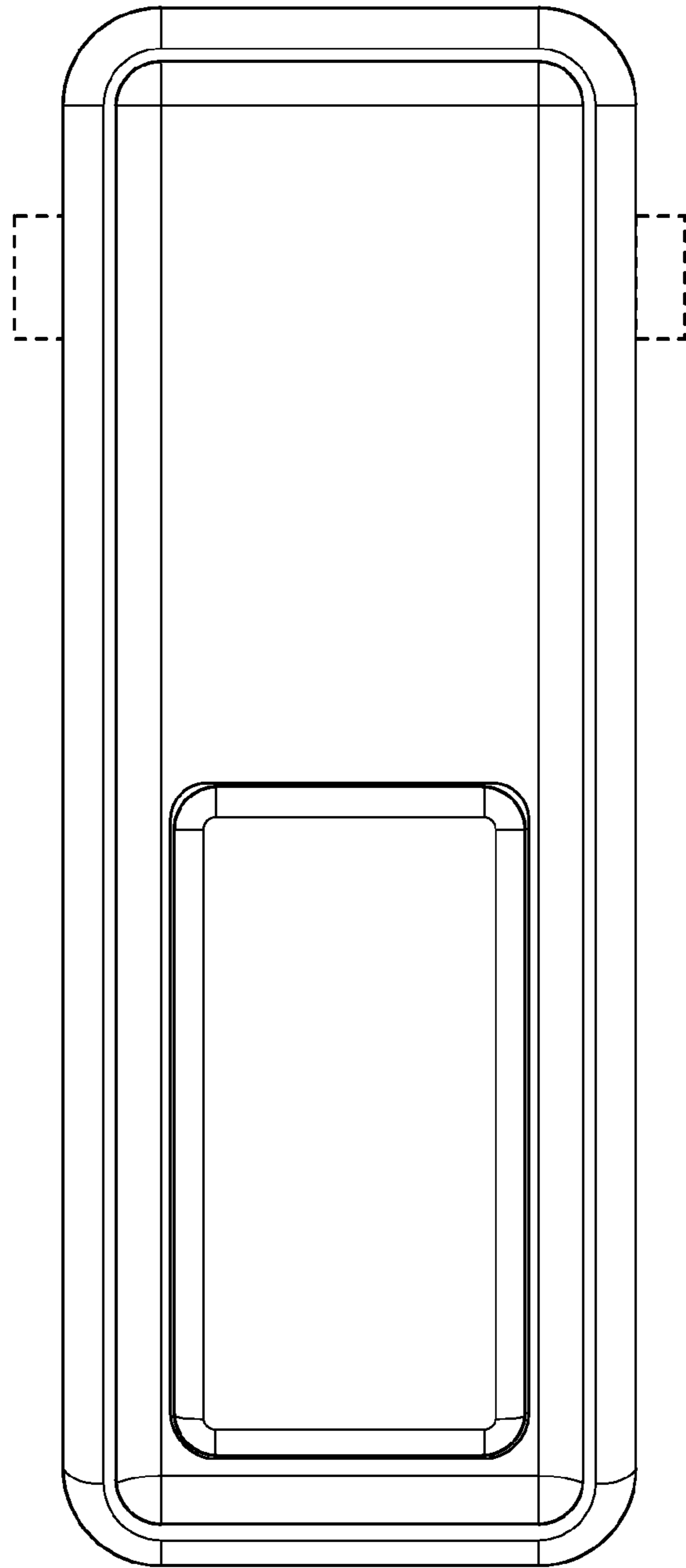
*Fig. 5*



*Fig. 6*

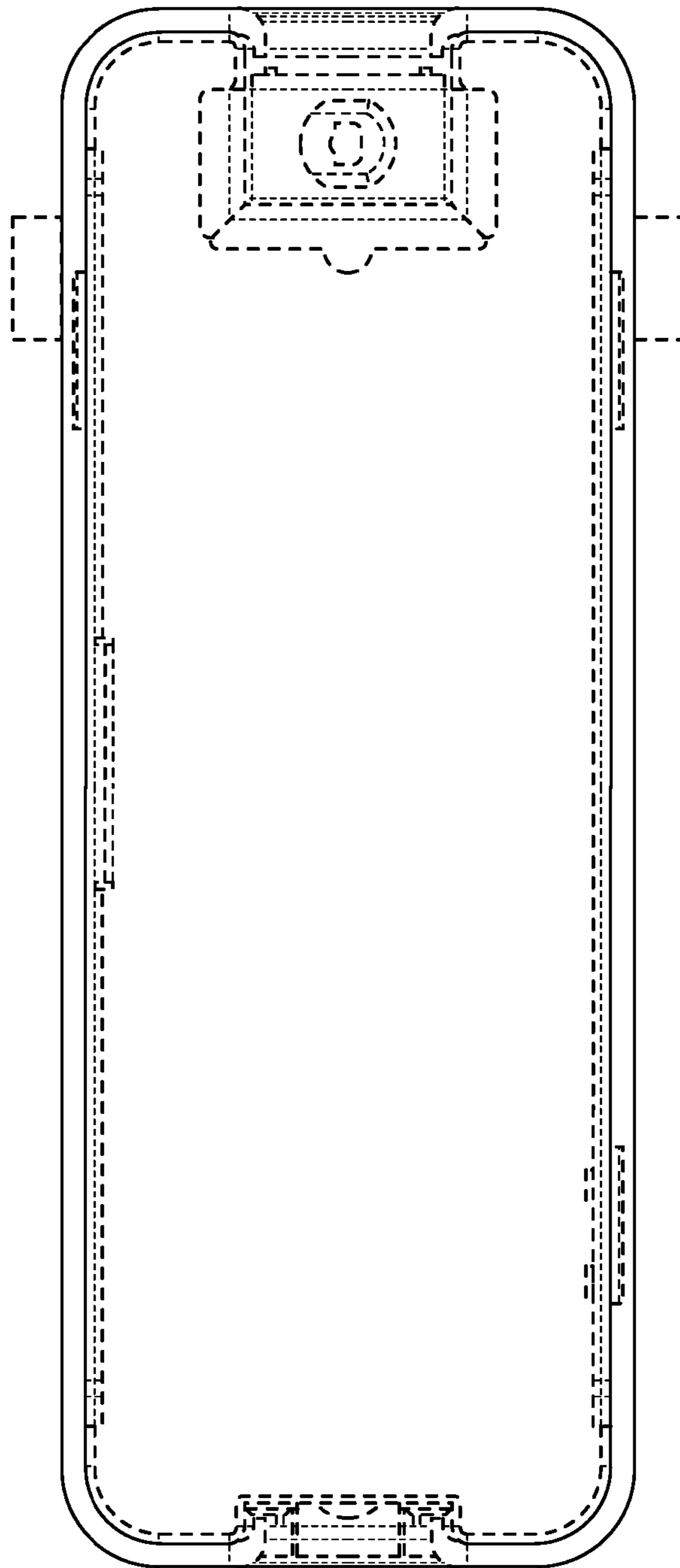
*Fig. 7*



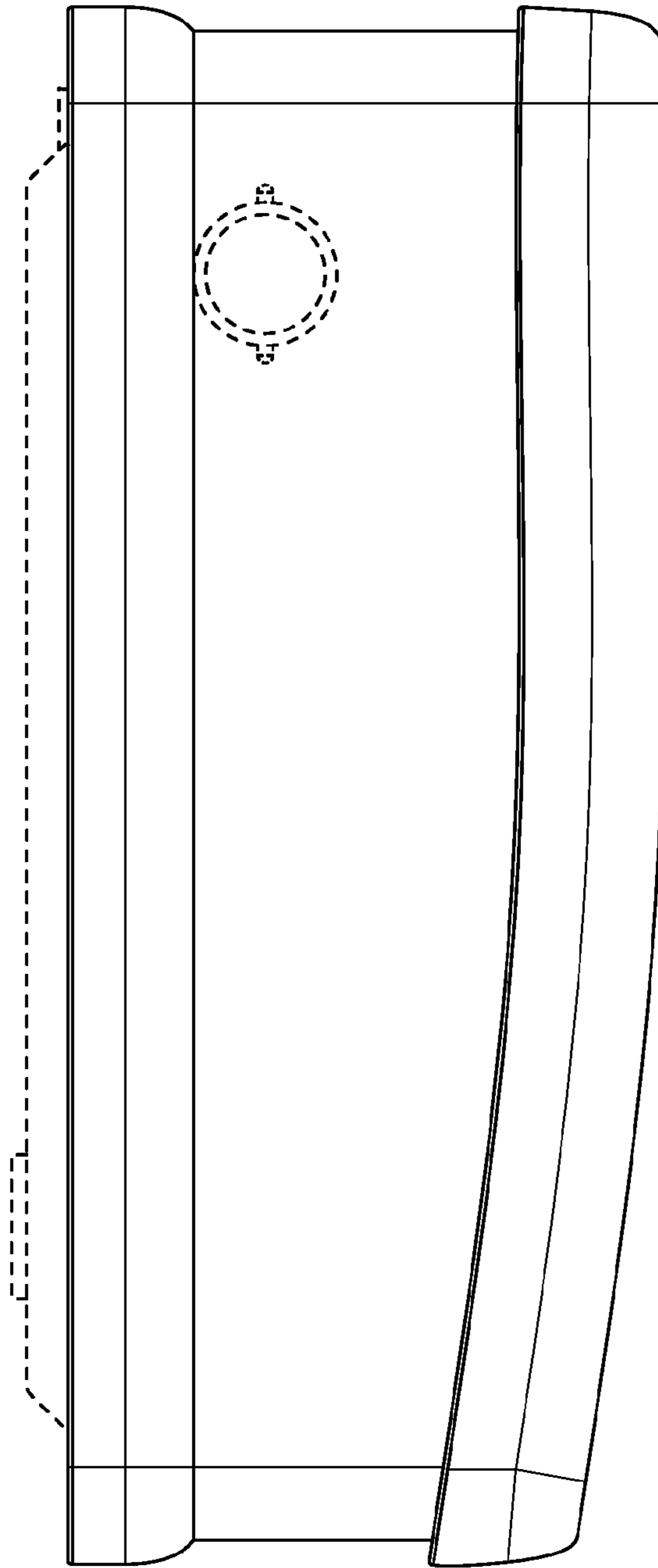


*Fig. 8*

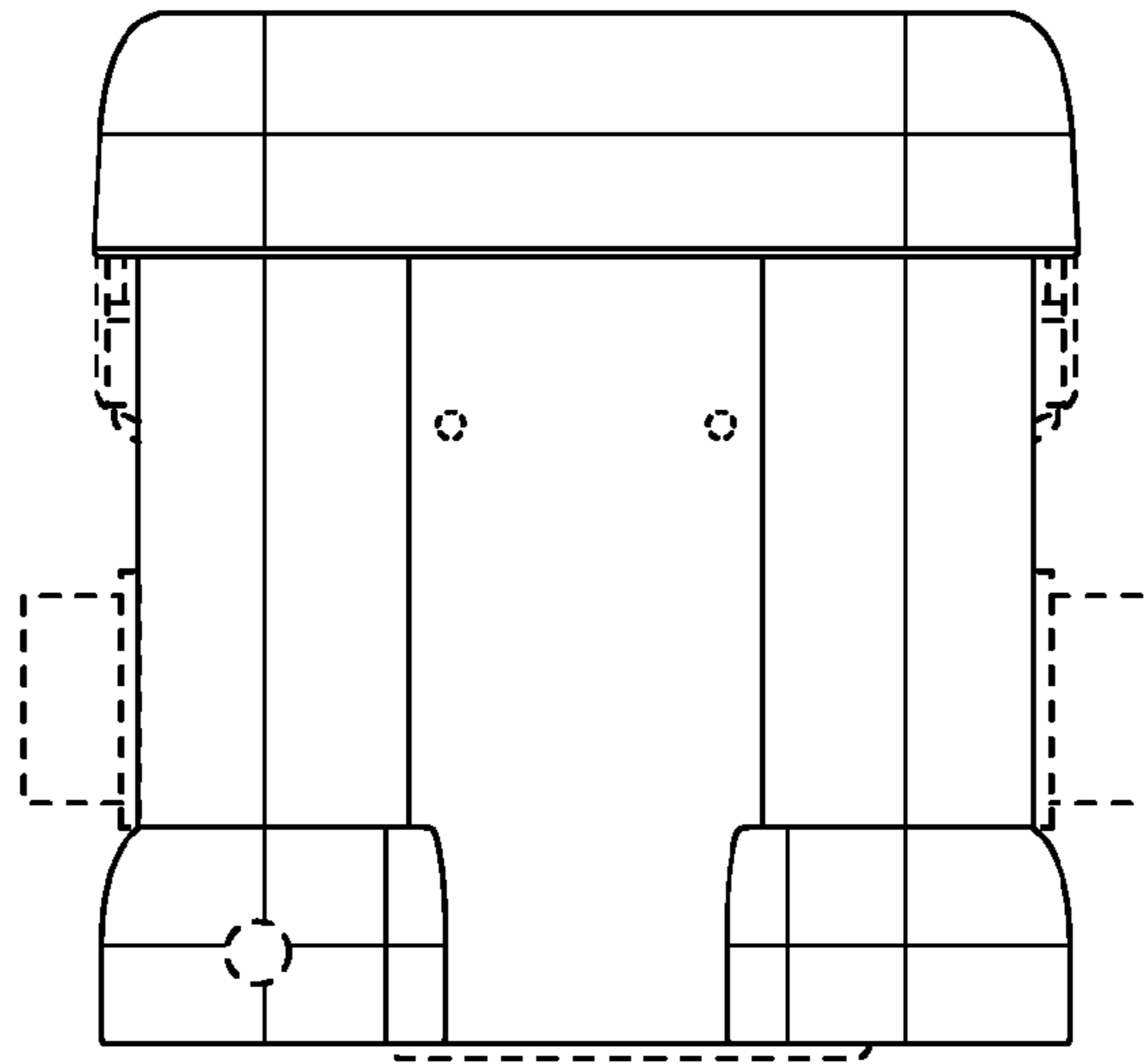




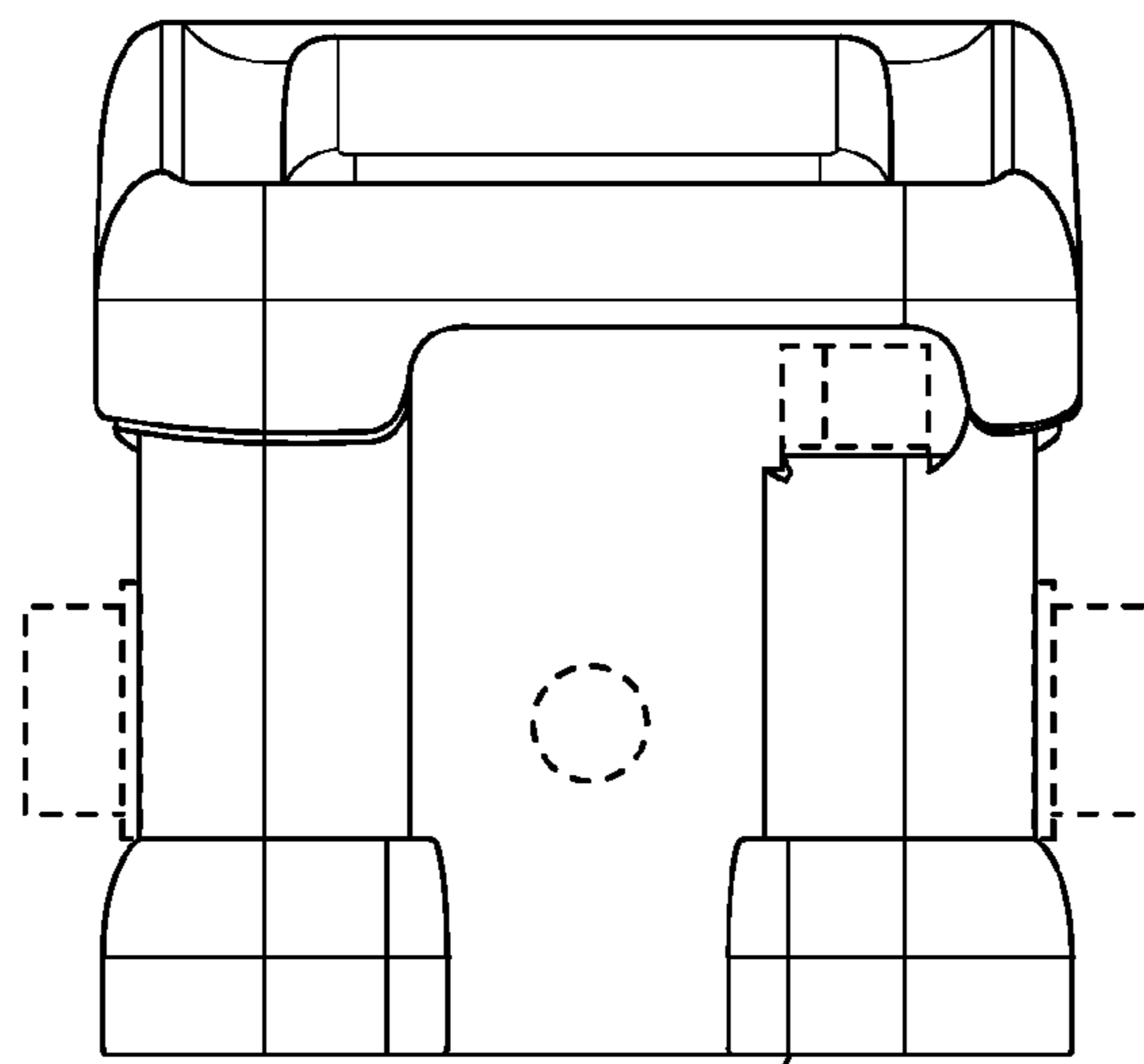
*Fig. 9*



*Fig. 10*



*Fig. 11*



*Fig. 12*