

US00D581436S

(12) **United States Design Patent**
Wohlrab et al.

(10) **Patent No.:** **US D581,436 S**

(45) **Date of Patent:** **** Nov. 25, 2008**

(54) **HANDLE FOR APPLIANCE**

(75) Inventors: **Chad A. Wohlrab**, Madison, WI (US);
Curtis Leroy Cruver, IV, Elmhurst, IL (US)

(73) Assignee: **Sub-Zero, Inc.**, Madison, WI (US)

(**) Term: **14 Years**

(21) Appl. No.: **29/271,362**

(22) Filed: **Jan. 17, 2007**

(51) **LOC (8) Cl.** **15-07**

(52) **U.S. Cl.** **D15/89**; D15/91

(58) **Field of Classification Search** D15/79,
D15/81, 85-87, 89, 91; D8/300-301, 315,
D8/316, 319, 320, 321, 336, 338, 302, 317;
D6/514, 548, 549; D7/402; 16/408, 412,
16/436, 110.1, 413; 211/16, 105.1, 123;
62/3.1, 3.6, 3.62-3.64, 45.1, 440, 467, 529,
62/531; 312/236, 352, 400-408; D10/80;
D21/385; 296/71

See application file for complete search history.

(56) **References Cited**

U.S. PATENT DOCUMENTS

3,995,349	A *	12/1976	Roberts et al.	16/412
4,021,072	A *	5/1977	Belanger	296/71
4,922,576	A *	5/1990	Weidner et al.	16/413
D342,436	S *	12/1993	Cook et al.	D8/317
5,303,451	A *	4/1994	Graviss et al.	16/412
5,740,587	A *	4/1998	Onai et al.	16/412
D399,406	S *	10/1998	Decursu et al.	D8/317
D431,444	S *	10/2000	Short	D8/316
6,473,939	B1 *	11/2002	Stegmaier	16/436
6,546,597	B2 *	4/2003	Atalla et al.	16/436
6,609,274	B2 *	8/2003	Christensen et al.	16/412
D504,902	S *	5/2005	Tunzi	D15/91
D505,139	S *	5/2005	Jackovin	D15/89
D516,406	S *	3/2006	Brammer et al.	D8/300

D530,590	S *	10/2006	Singtoroj et al.	D8/302
D537,849	S *	3/2007	Wong et al.	D15/89
D540,884	S *	4/2007	Mallory et al.	D21/385
D551,056	S *	9/2007	Ricereto	D8/317

OTHER PUBLICATIONS

Sub-Zero Design Guide, 3758546 Rev-B, Sep. 2006, 84 pages.
Sub-Zero Freezer Company, Inc., Pro 48 Use & Care Information, p. 11, Apr. 2005.

* cited by examiner

Primary Examiner—Mitchell I. Siegel

Assistant Examiner—Shanda Hill

(74) *Attorney, Agent, or Firm*—Foley & Lardner LLP

(57) **CLAIM**

The ornamental design for handle for appliance, as shown and described.

DESCRIPTION

FIG. 1 is a perspective view of a handle for appliance showing our new design;

FIG. 2 is an enlarged perspective view thereof;

FIG. 3 is a front view thereof;

FIG. 4 is an enlarged front view thereof;

FIG. 5 is a top view thereof;

FIG. 6 is an enlarged top view thereof;

FIG. 7 is an enlarged left side view thereof;

FIG. 8 is an enlarged right side view thereof;

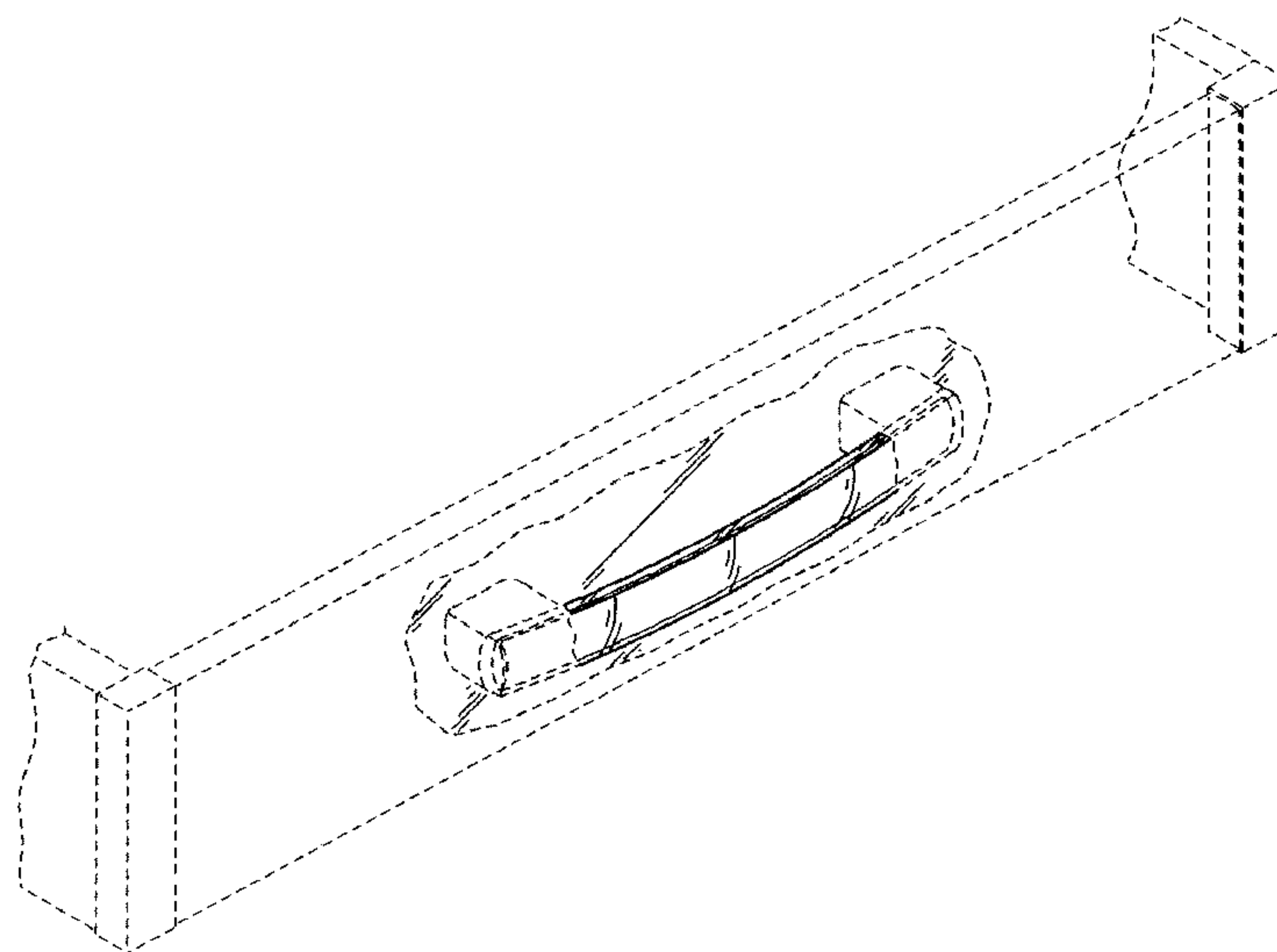
FIG. 9 is a bottom view thereof;

FIG. 10 is an enlarged bottom view thereof; and,

FIG. 11 is rear view thereof.

The broken lines shown in the drawing disclosure are for illustrative purposes only and form no part of the claimed design.

1 Claim, 7 Drawing Sheets



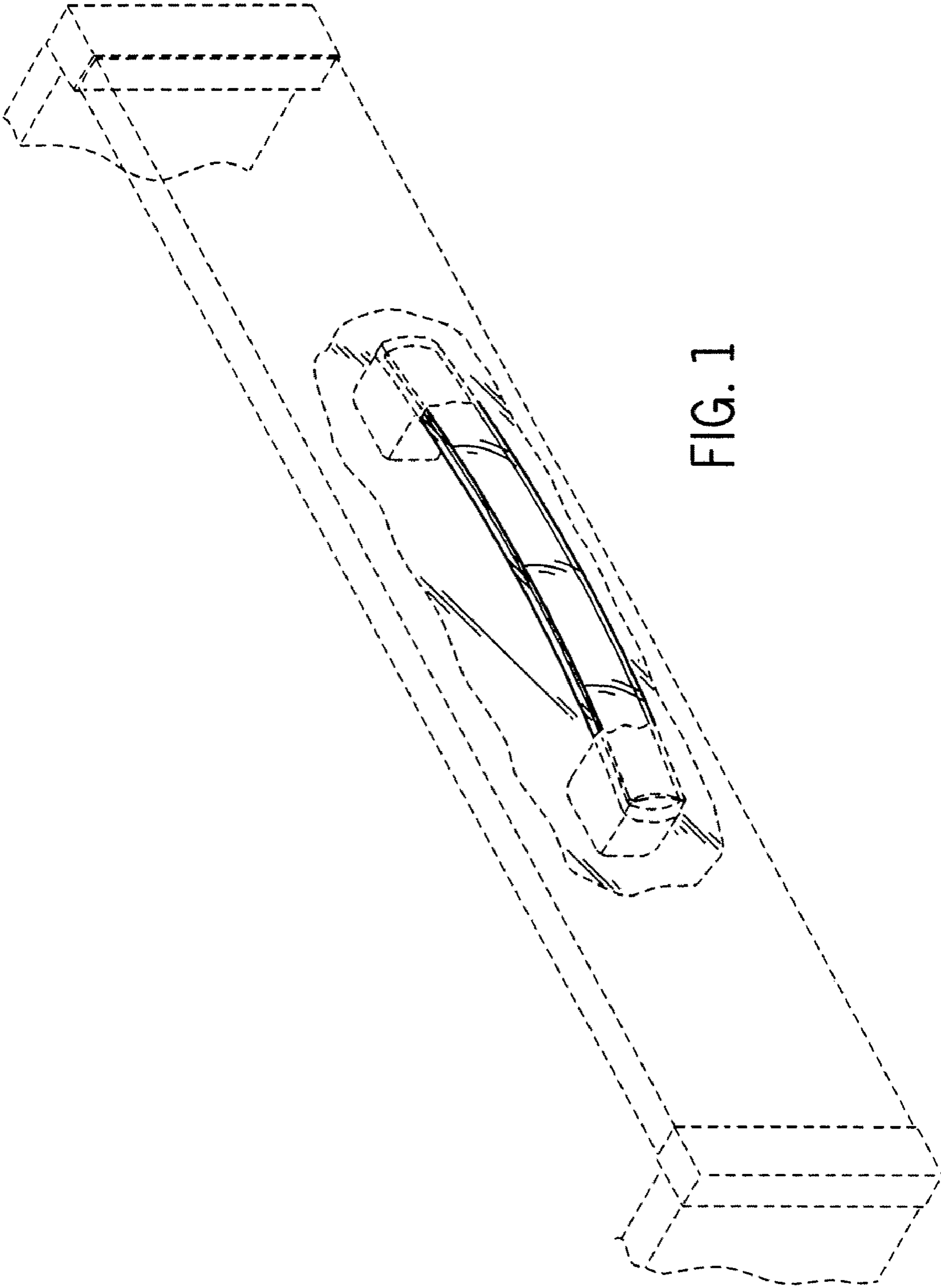


FIG. 1

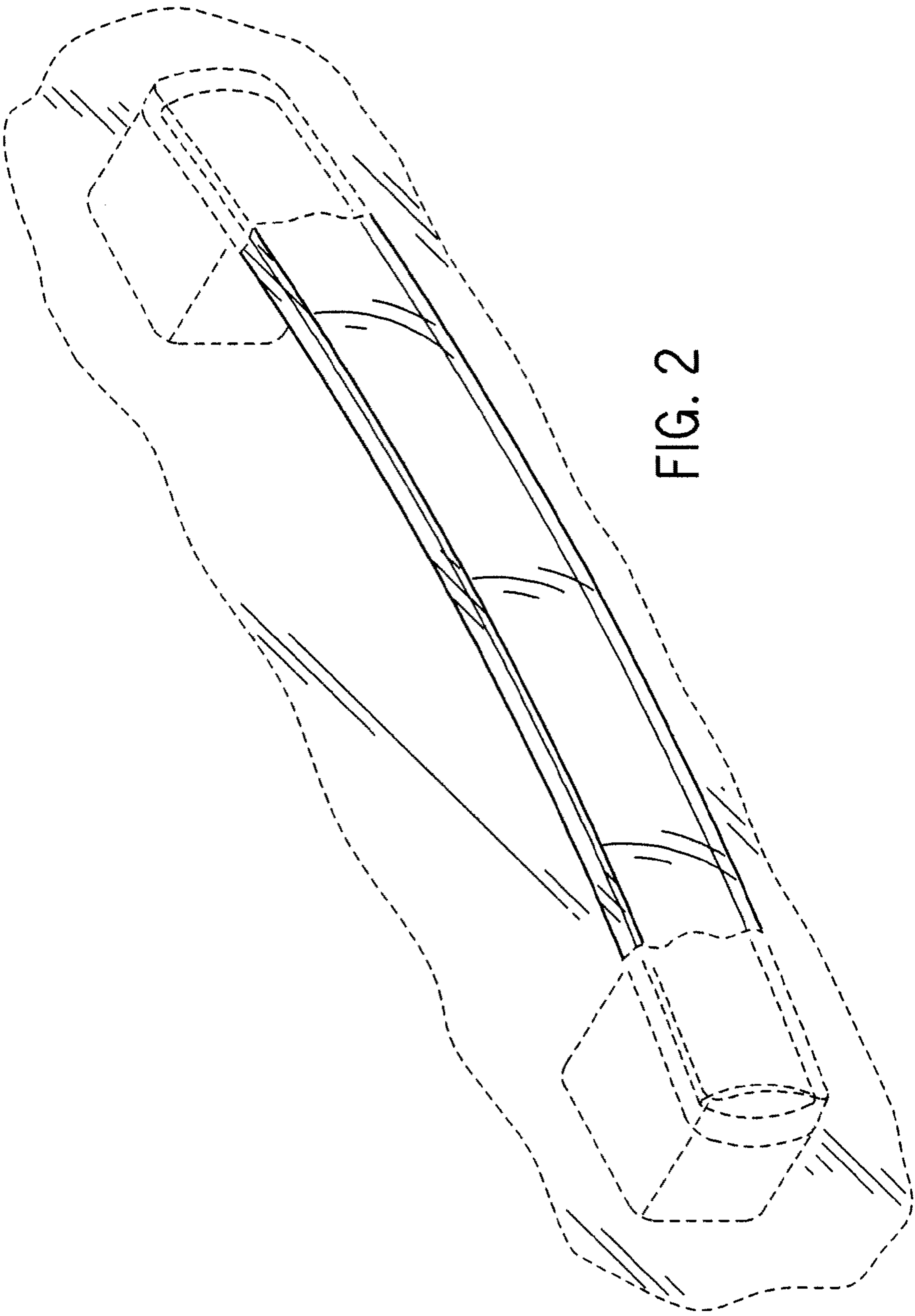


FIG. 2

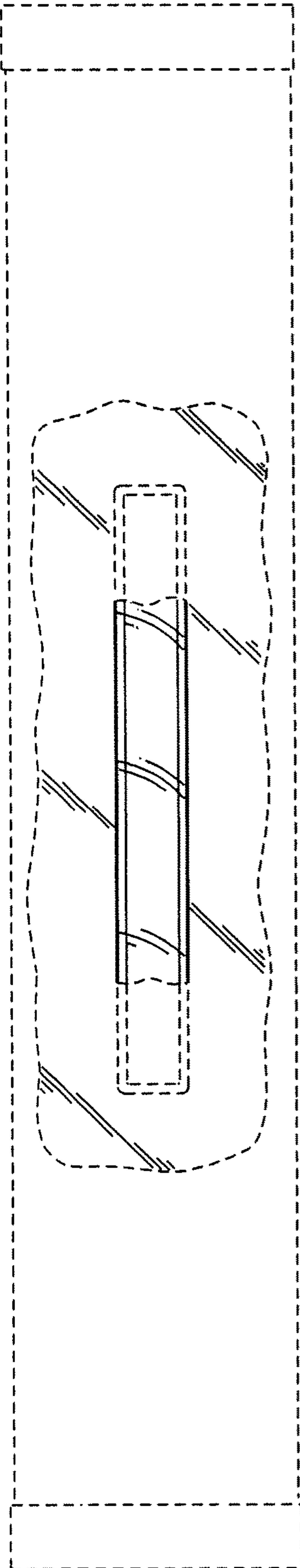


FIG. 3

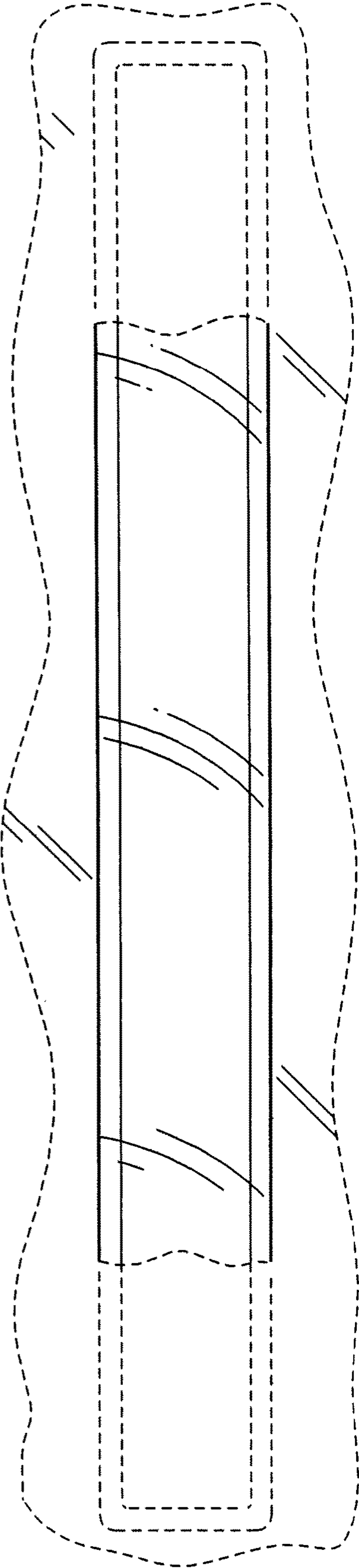


FIG. 4

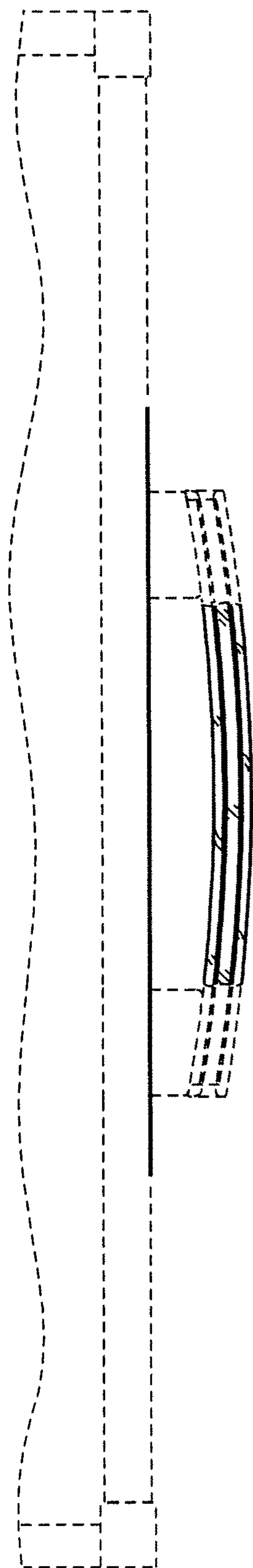


FIG. 5

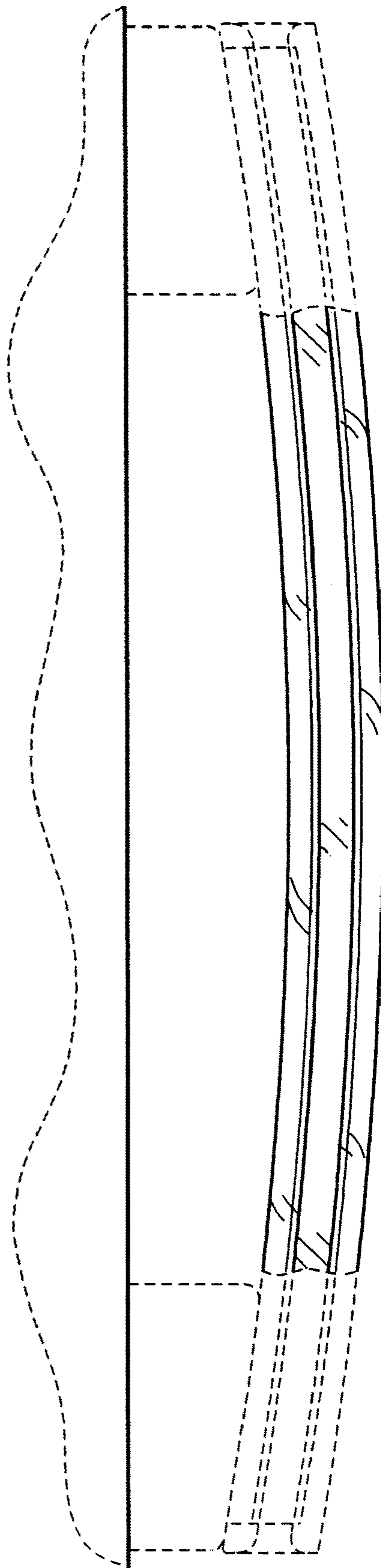


FIG. 6

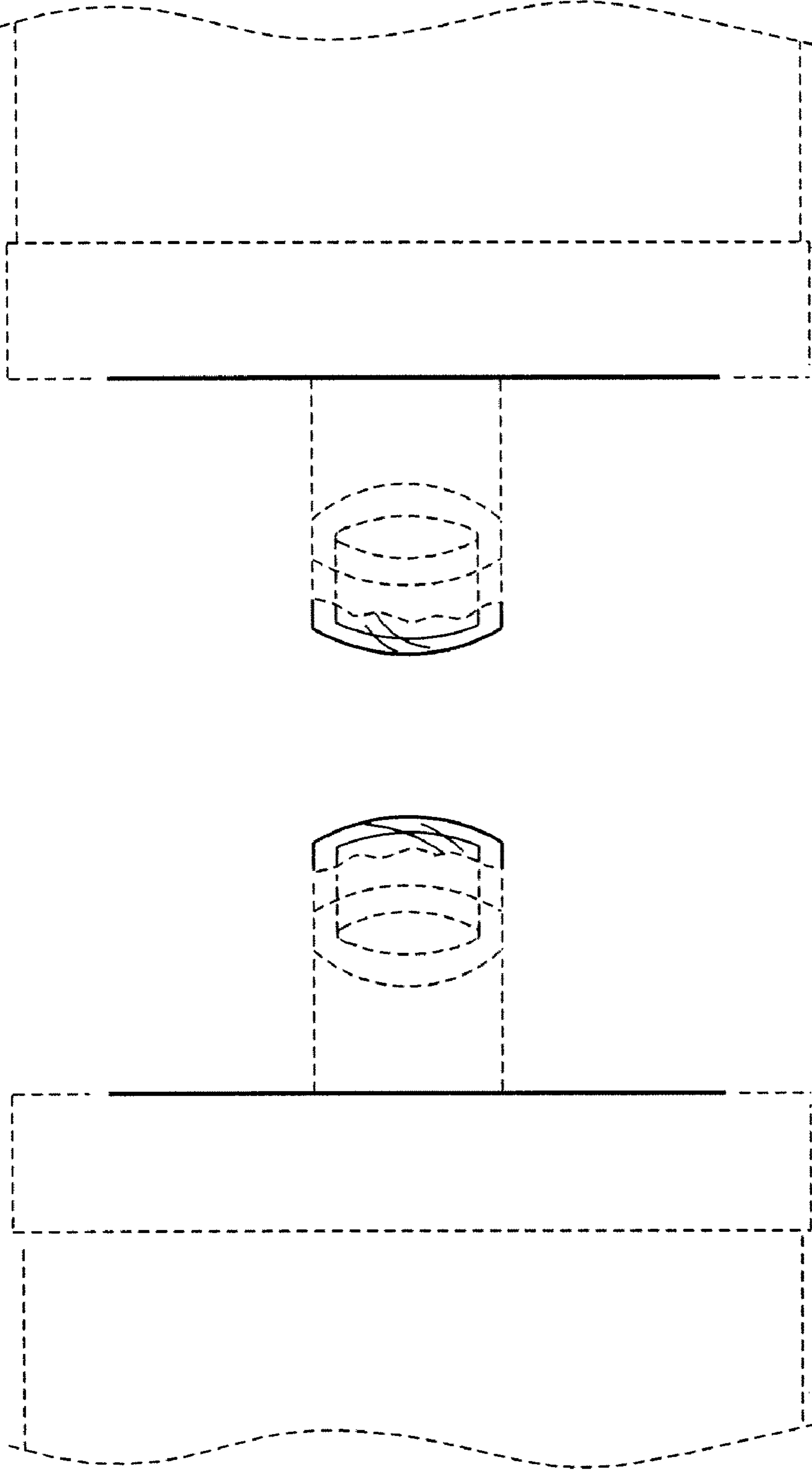


FIG. 8

FIG. 7

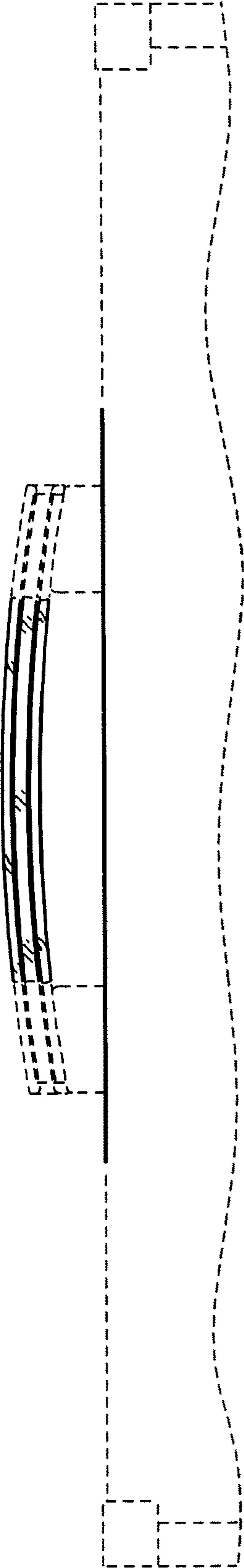


FIG. 9

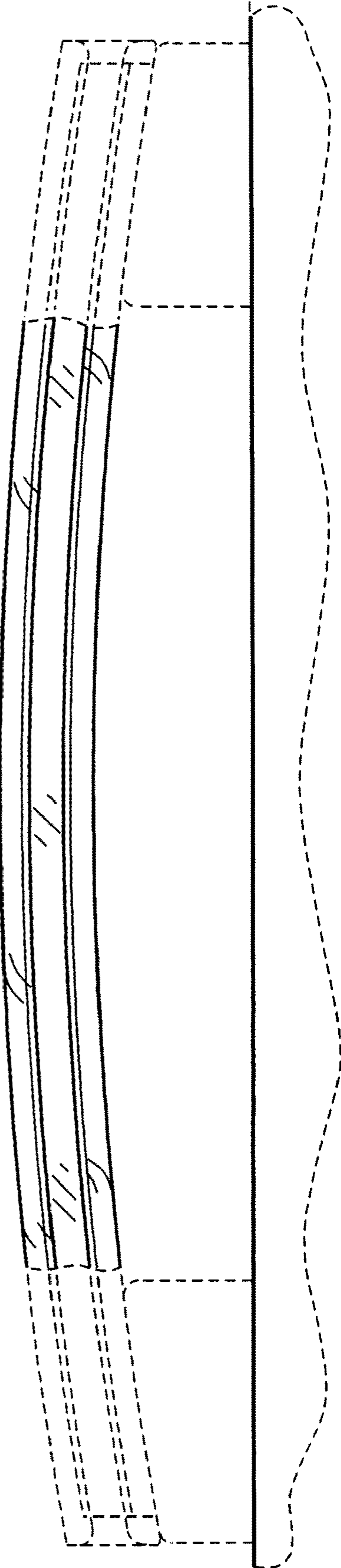


FIG. 10

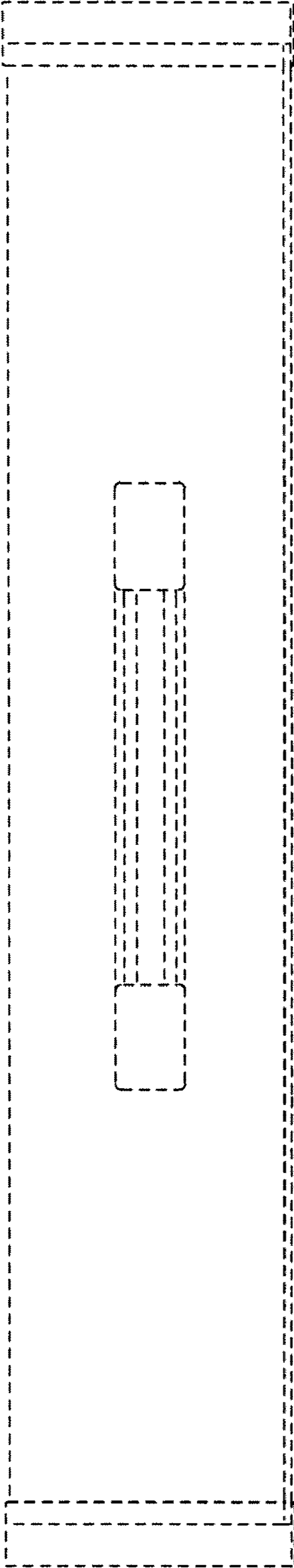


FIG. 11