



US00D581434S

(12) **United States Design Patent**
Hamagishi et al.

(10) **Patent No.:** **US D581,434 S**
(45) **Date of Patent:** **** Nov. 25, 2008**

(54) **WATER PUMP**

(75) Inventors: **Kenichirou Hamagishi**, Kyoto (JP);
Yoshio Fujii, Kyoto (JP)

(73) Assignee: **Nidec Corporation**, Kyoto (JP)

(**) Term: **14 Years**

(21) Appl. No.: **29/279,375**

(22) Filed: **Apr. 27, 2007**

(30) **Foreign Application Priority Data**

Oct. 30, 2006	(JP)	2006-029636
Oct. 30, 2006	(JP)	2006-029637
Oct. 30, 2006	(JP)	2006-029638
Oct. 30, 2006	(JP)	2006-029639

(51) **LOC (8) Cl.** **15-02**

(52) **U.S. Cl.** **D15/7**

(58) **Field of Classification Search** D15/7-9;
D23/231; 417/410.1, 359, 415-416, 234,
417/321, 265, 405

See application file for complete search history.

(56) **References Cited**

U.S. PATENT DOCUMENTS

D300,034 S *	2/1989	Hirakawa et al.	D15/7
D304,833 S *	11/1989	Luchsinger	D15/7
D490,442 S *	5/2004	Kuboshima et al.	D15/7
D555,669 S *	11/2007	Preston	D15/7
D557,709 S *	12/2007	Preston	D15/7
D558,794 S *	1/2008	Kabayama et al.	D15/7

FOREIGN PATENT DOCUMENTS

JP 793198 S 8/1990

JP	896816 S	4/1994
JP	896817 S	4/1994
JP	2004-183564 A	7/2004

* cited by examiner

Primary Examiner—R. Seifert

(74) *Attorney, Agent, or Firm*—Keating & Bennett, LLP

(57) **CLAIM**

The ornamental design for a water pump, as shown and described.

DESCRIPTION

FIG. 1 is a front elevation view of a water pump according to a first preferred embodiment of our new design;

FIG. 2 is a rear elevation view thereof;

FIG. 3 is a right side elevation view thereof;

FIG. 4 is a left side elevation view thereof;

FIG. 5 is a top plan view thereof;

FIG. 6 is a bottom plan view thereof;

FIG. 7 is a perspective view thereof;

FIG. 8 is a front elevation view of a water pump according to a second preferred embodiment of our new design;

FIG. 9 is a rear elevation view thereof;

FIG. 10 is a right side elevation view thereof;

FIG. 11 is a left side elevation view thereof;

FIG. 12 is a top plan view thereof;

FIG. 13 is a bottom plan view thereof; and,

FIG. 14 is a perspective view thereof.

1 Claim, 14 Drawing Sheets

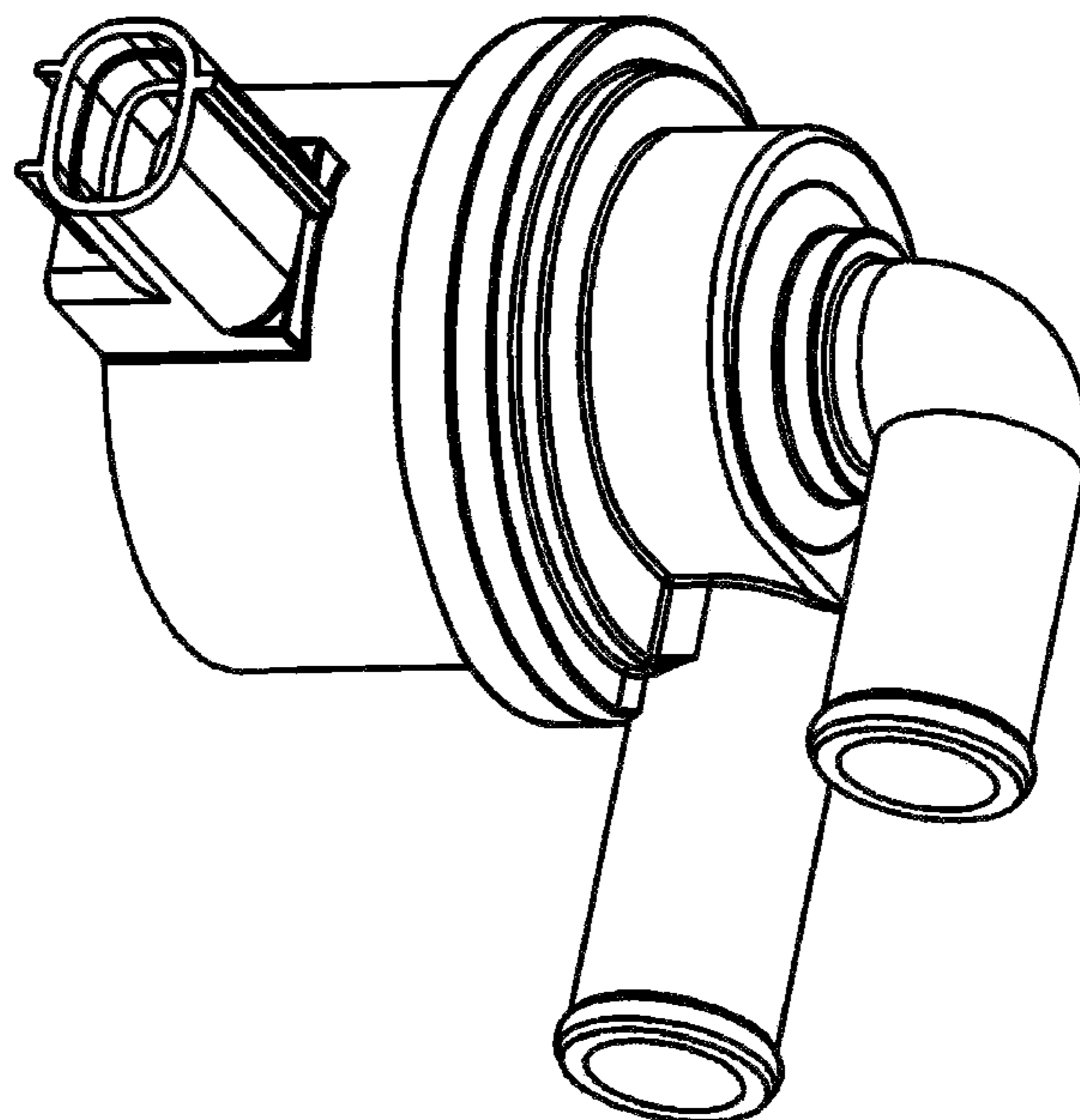


FIG. 1

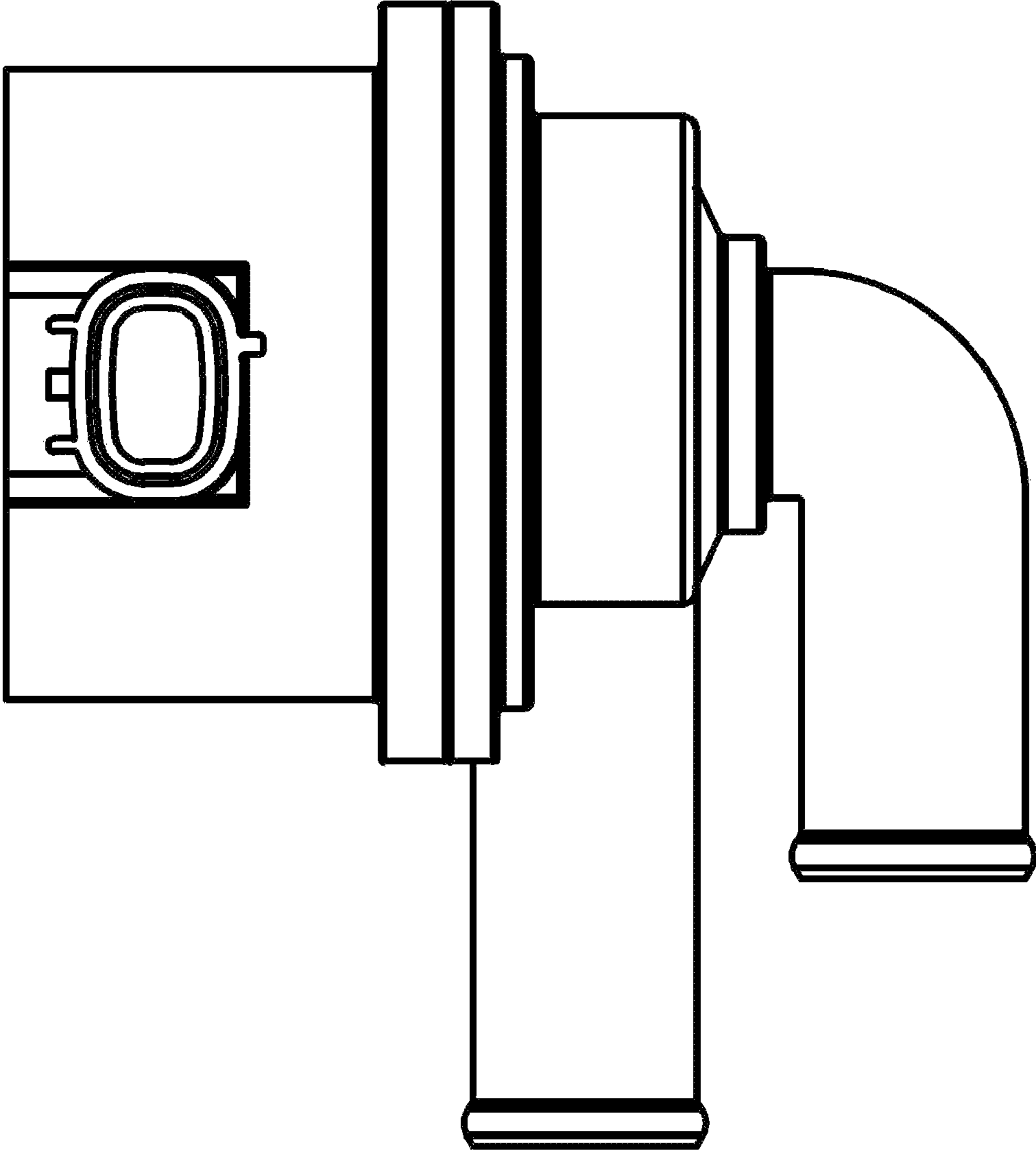


FIG. 2

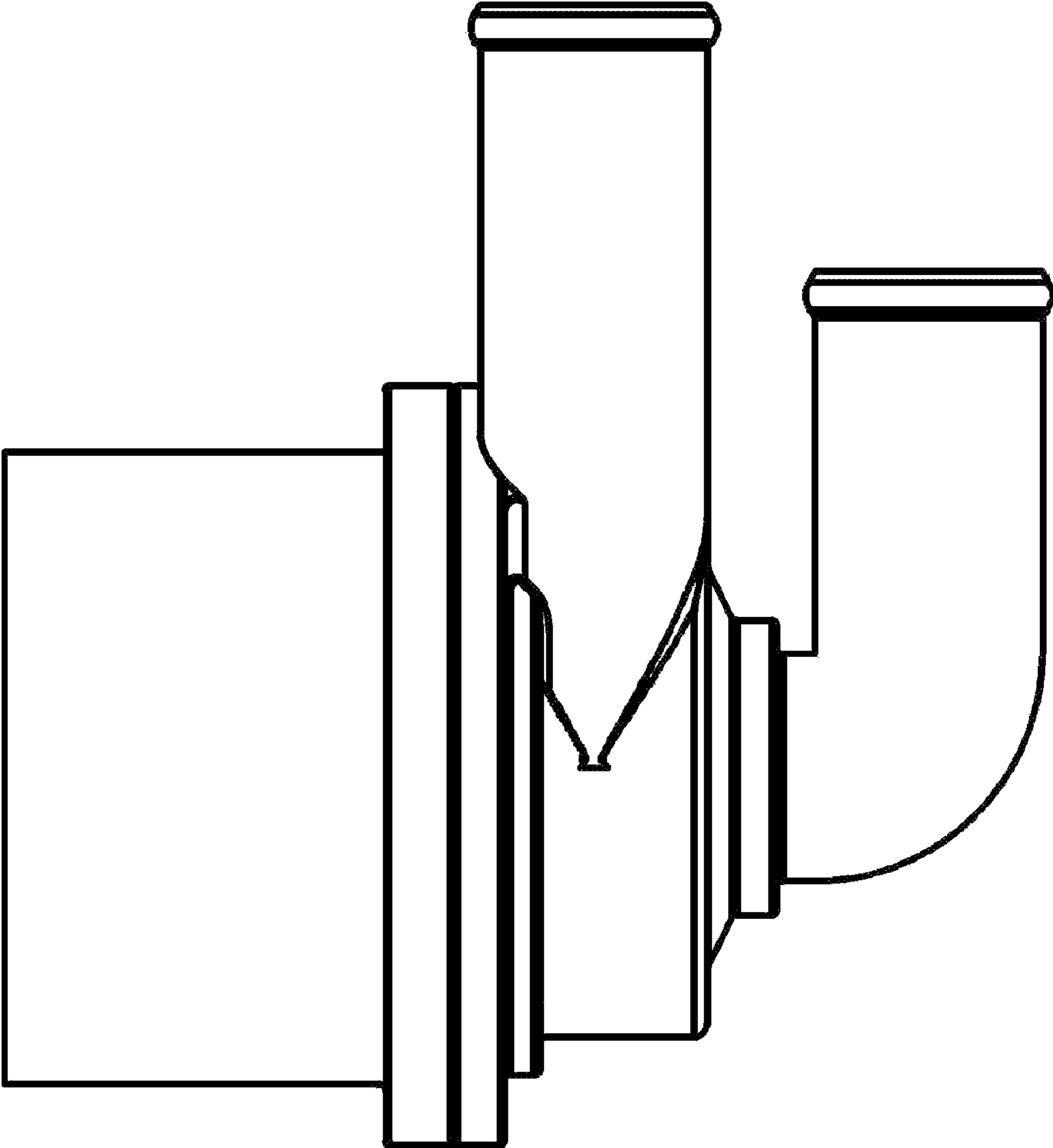


FIG. 3

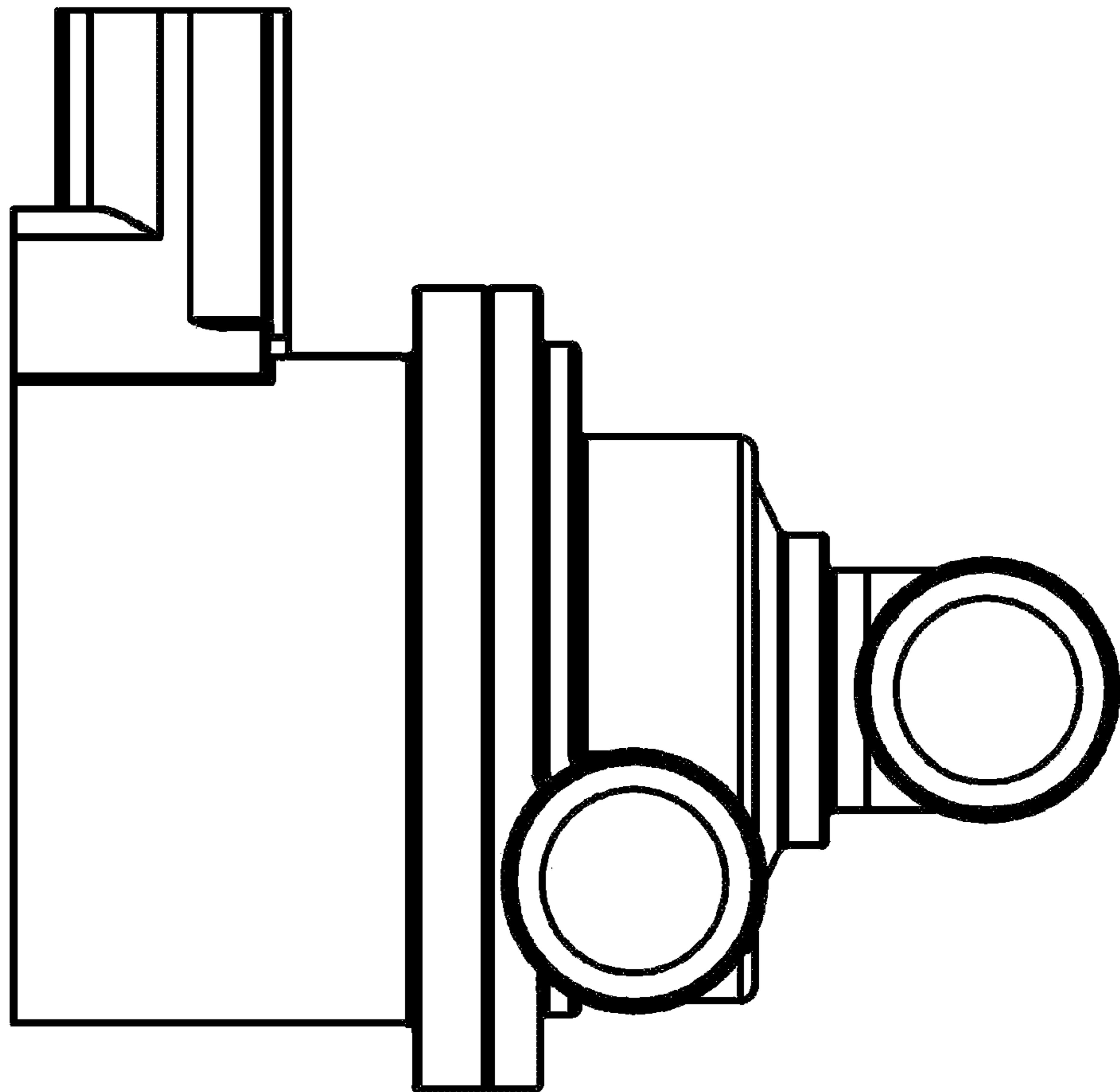


FIG. 4

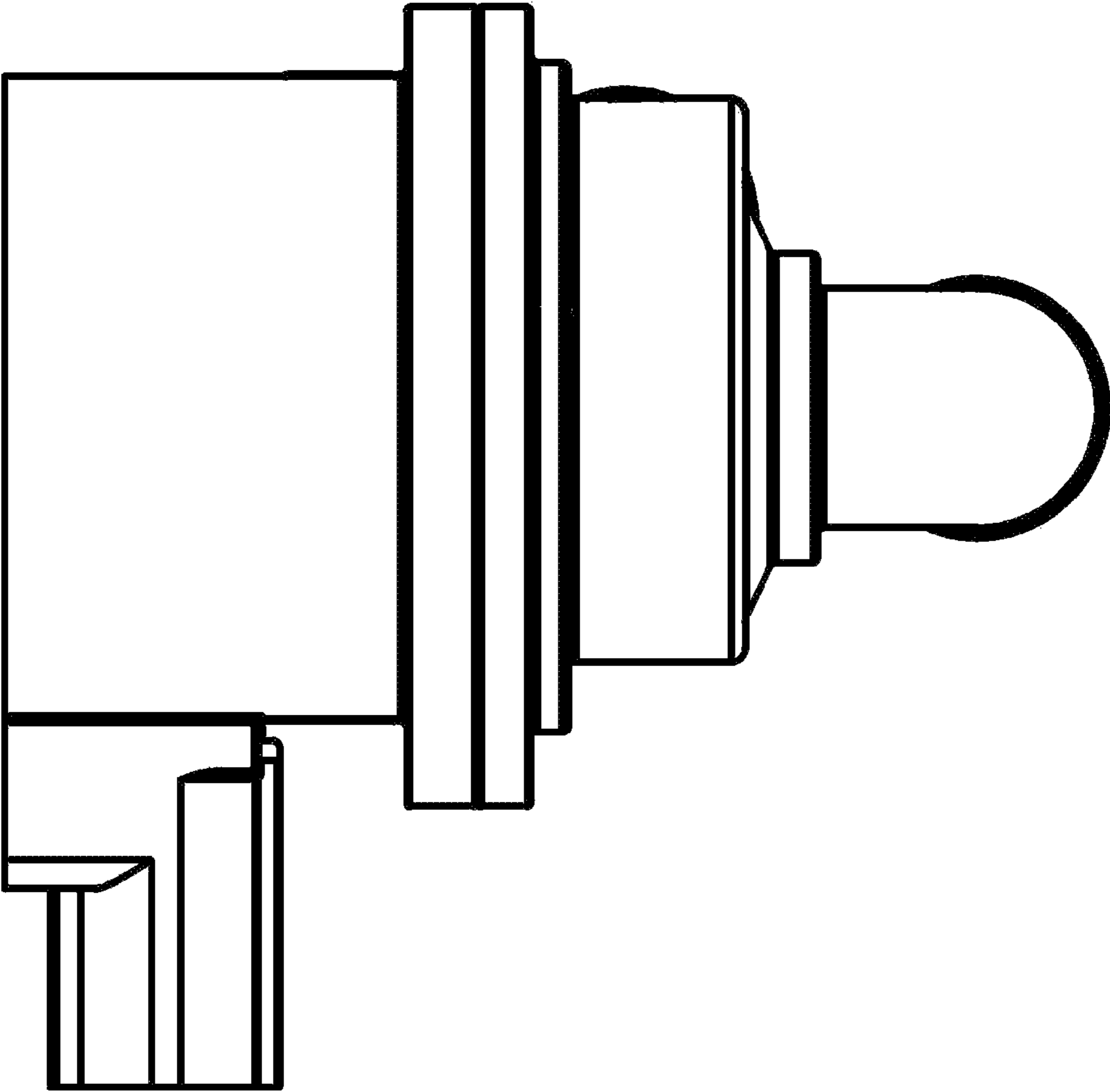


FIG. 5

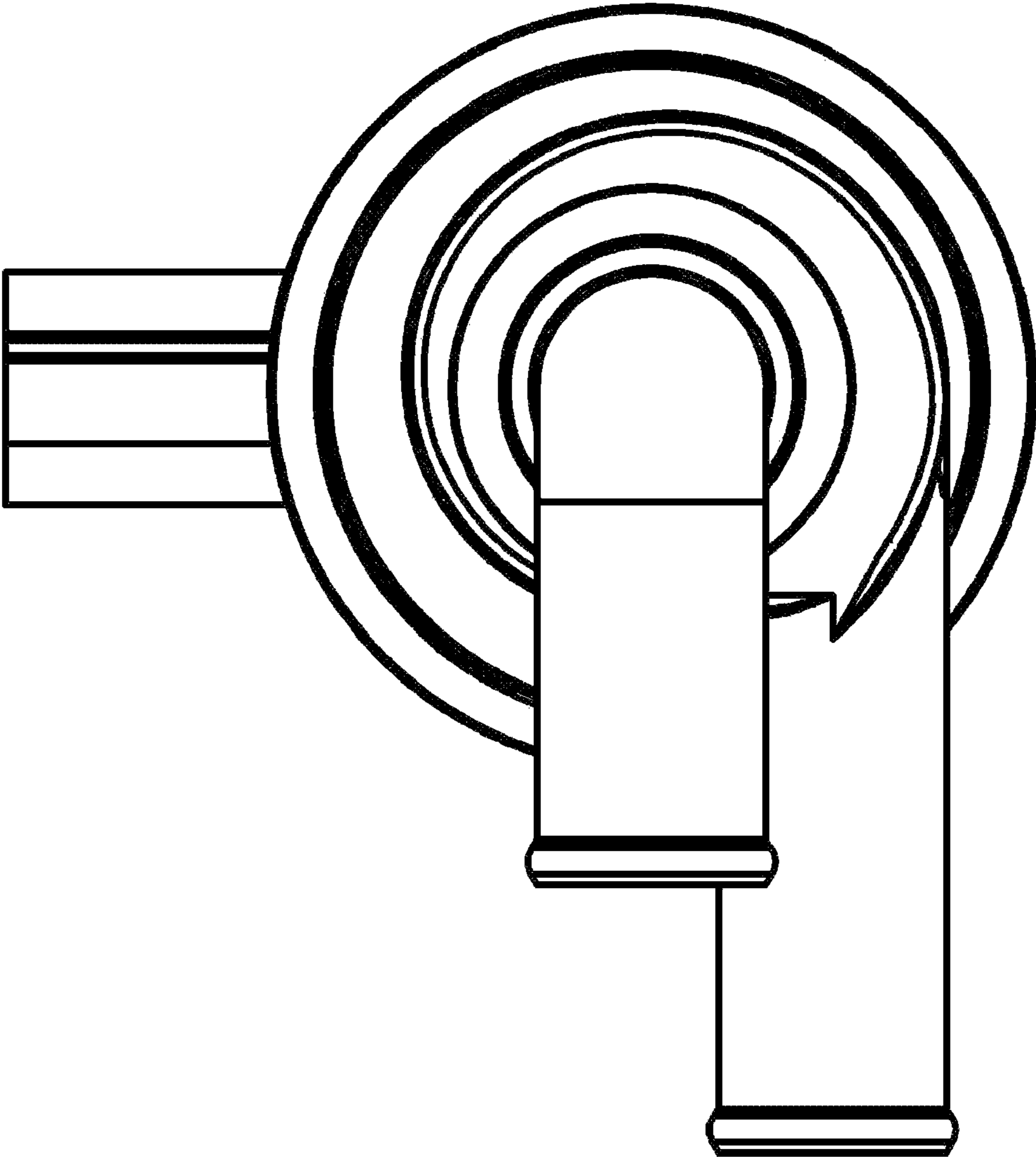


FIG. 6

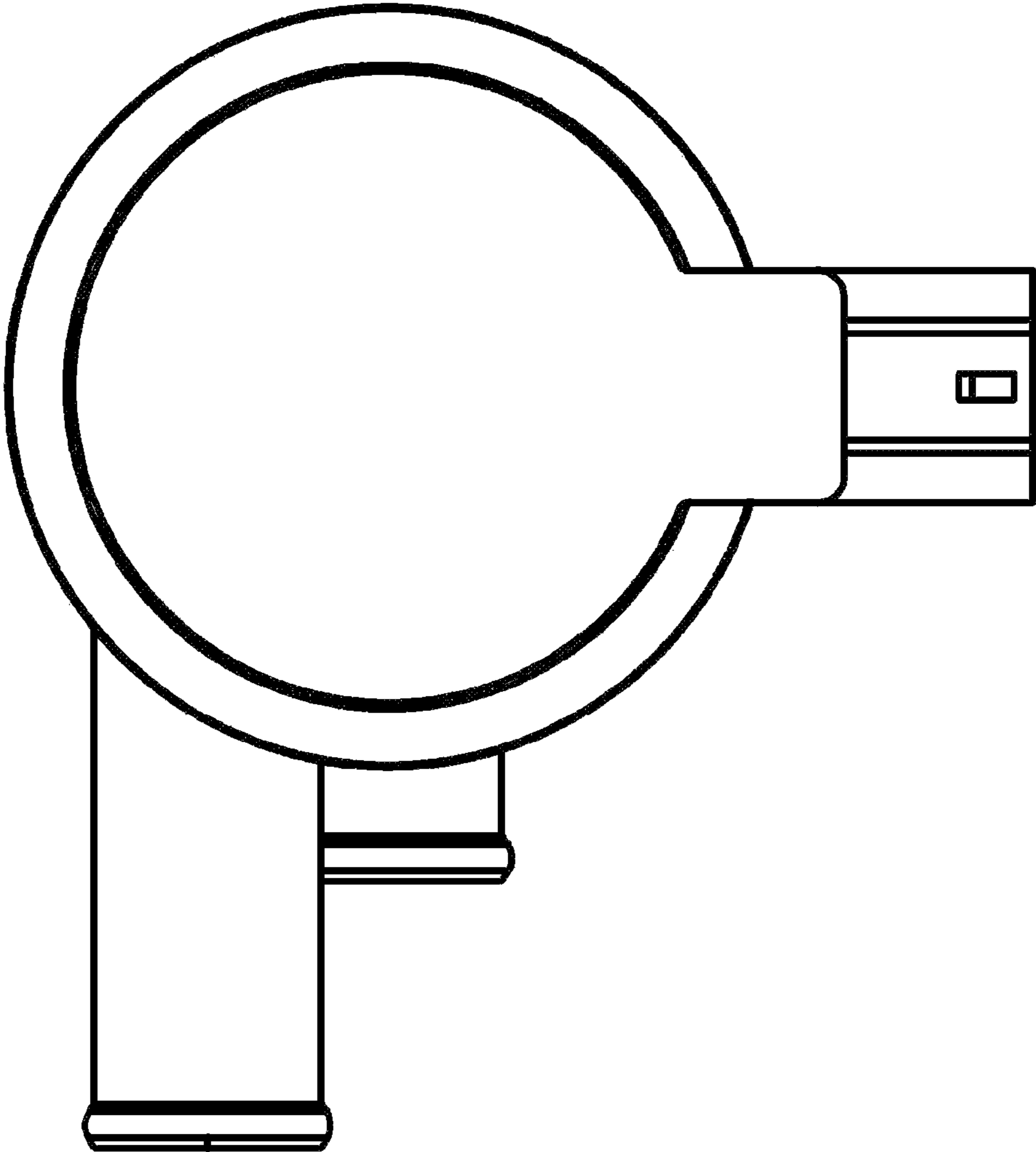


FIG. 7

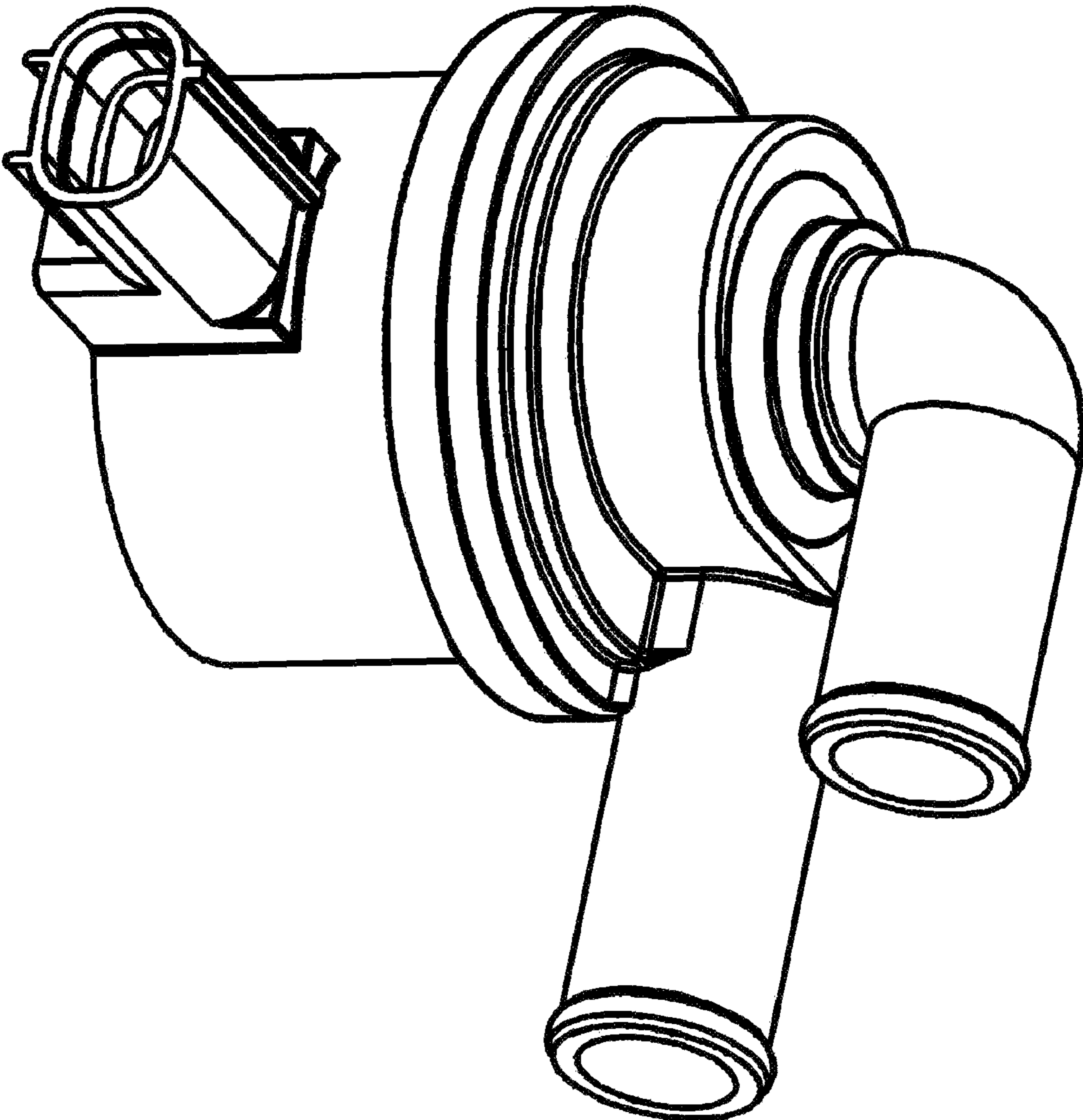


FIG. 8

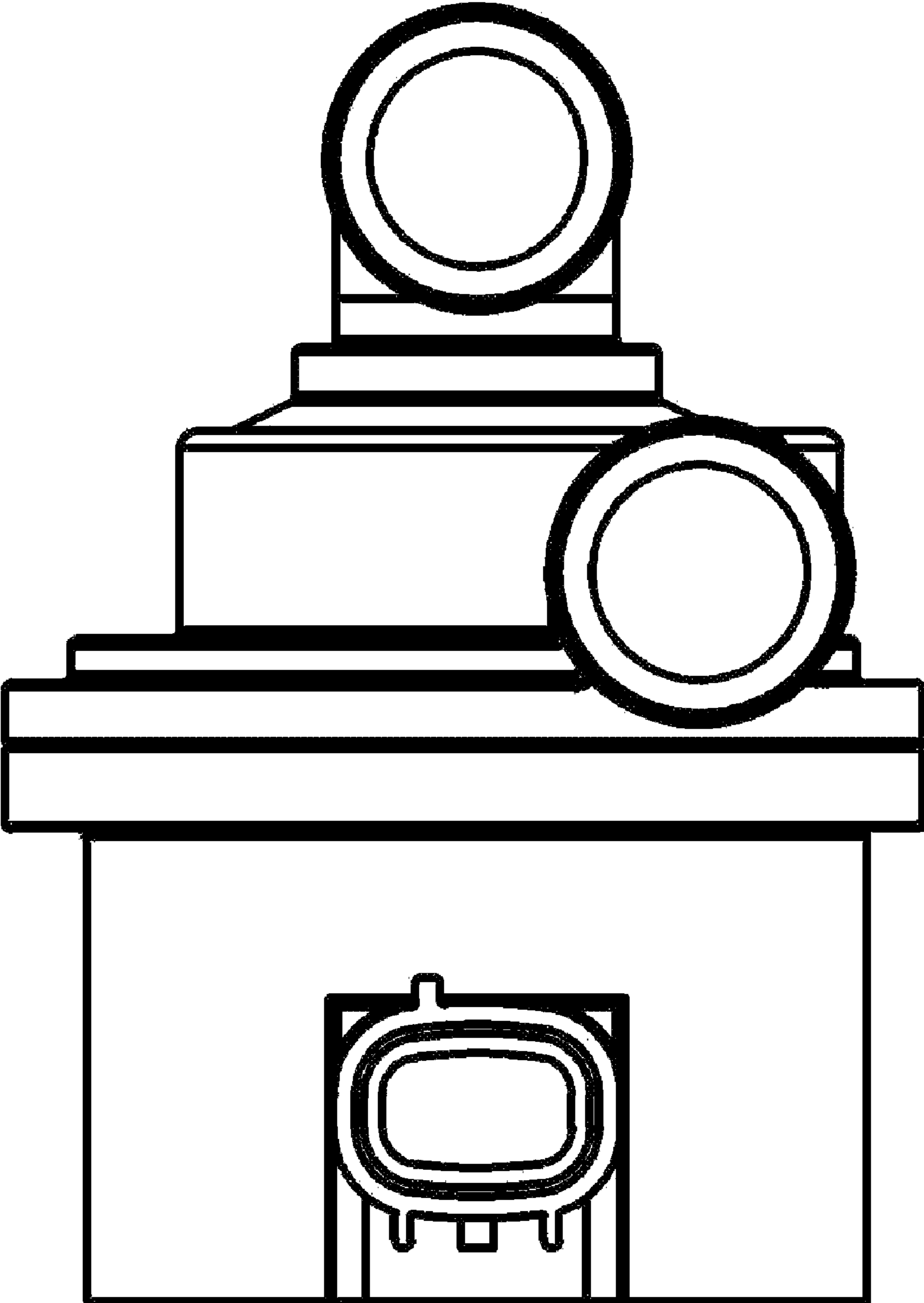


FIG. 9

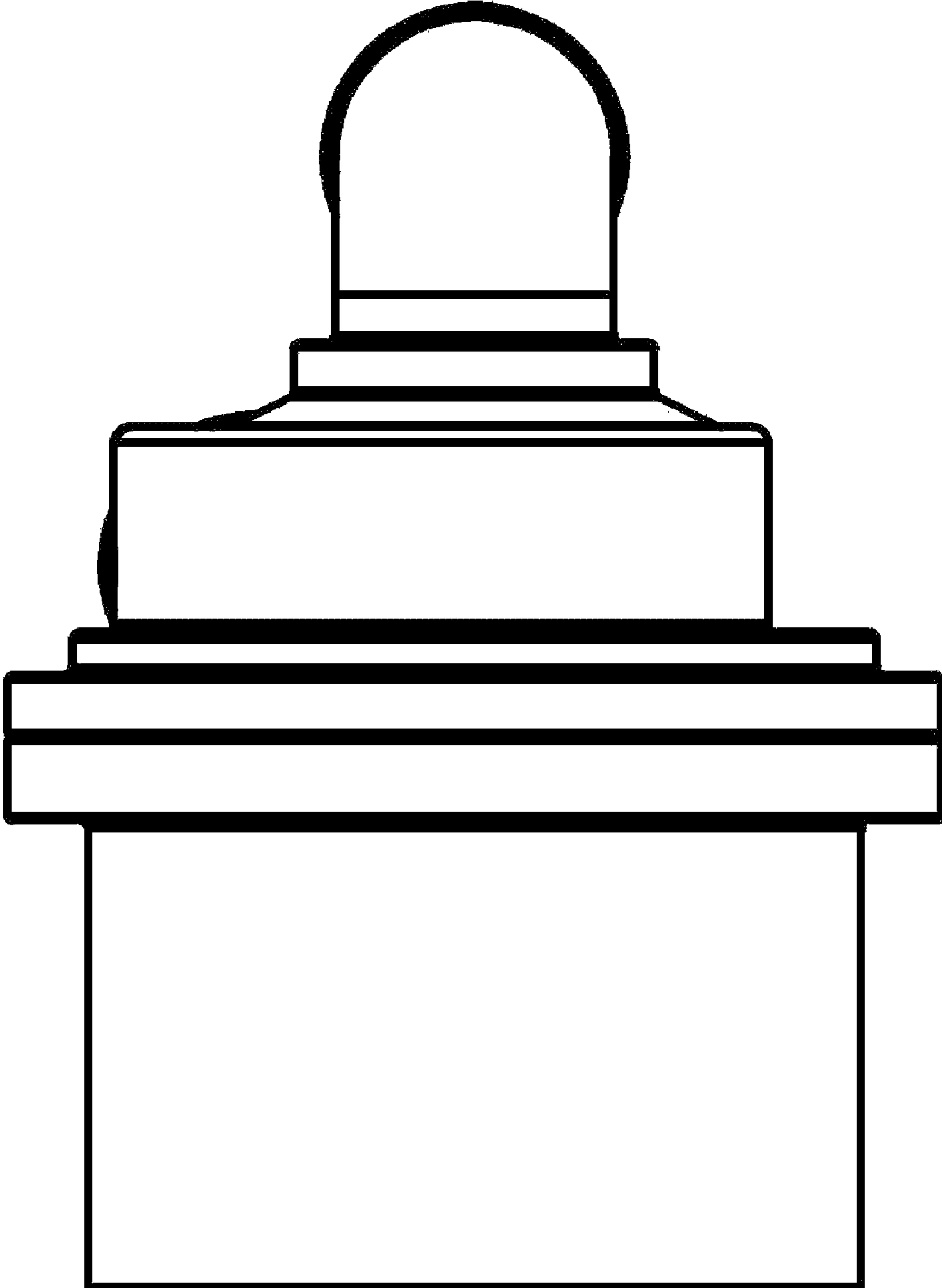


FIG. 10

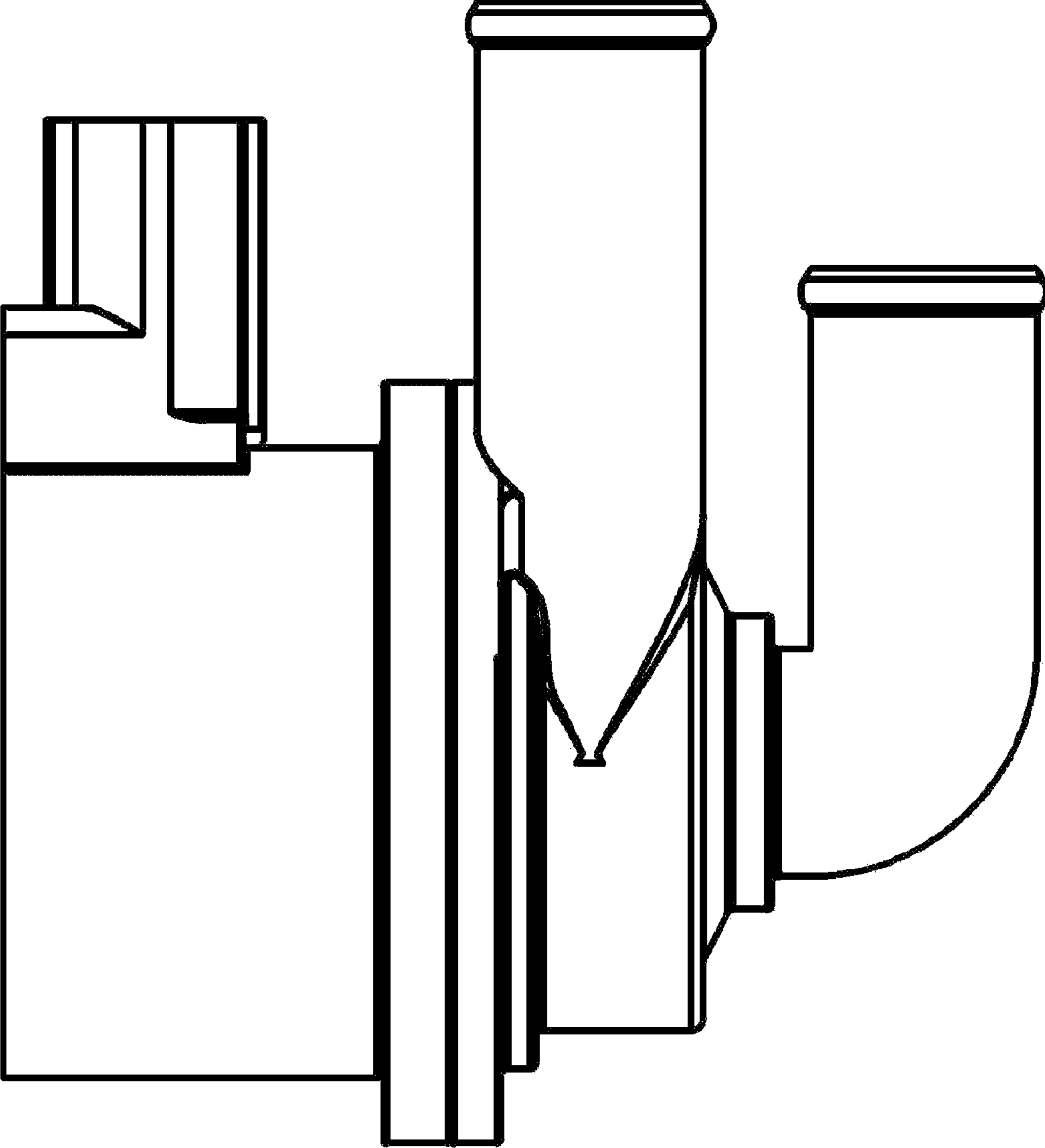


FIG. 11

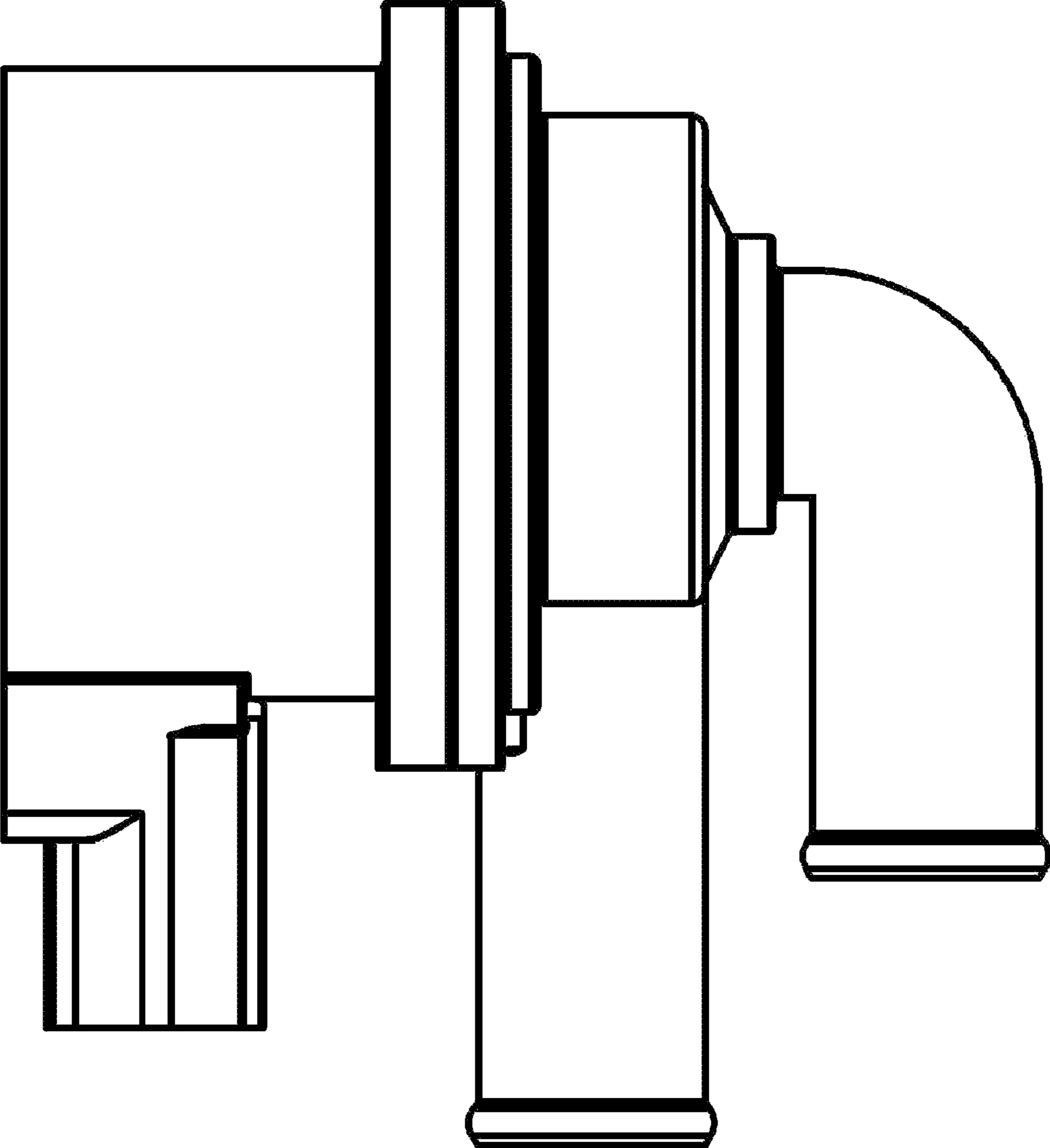


FIG. 12

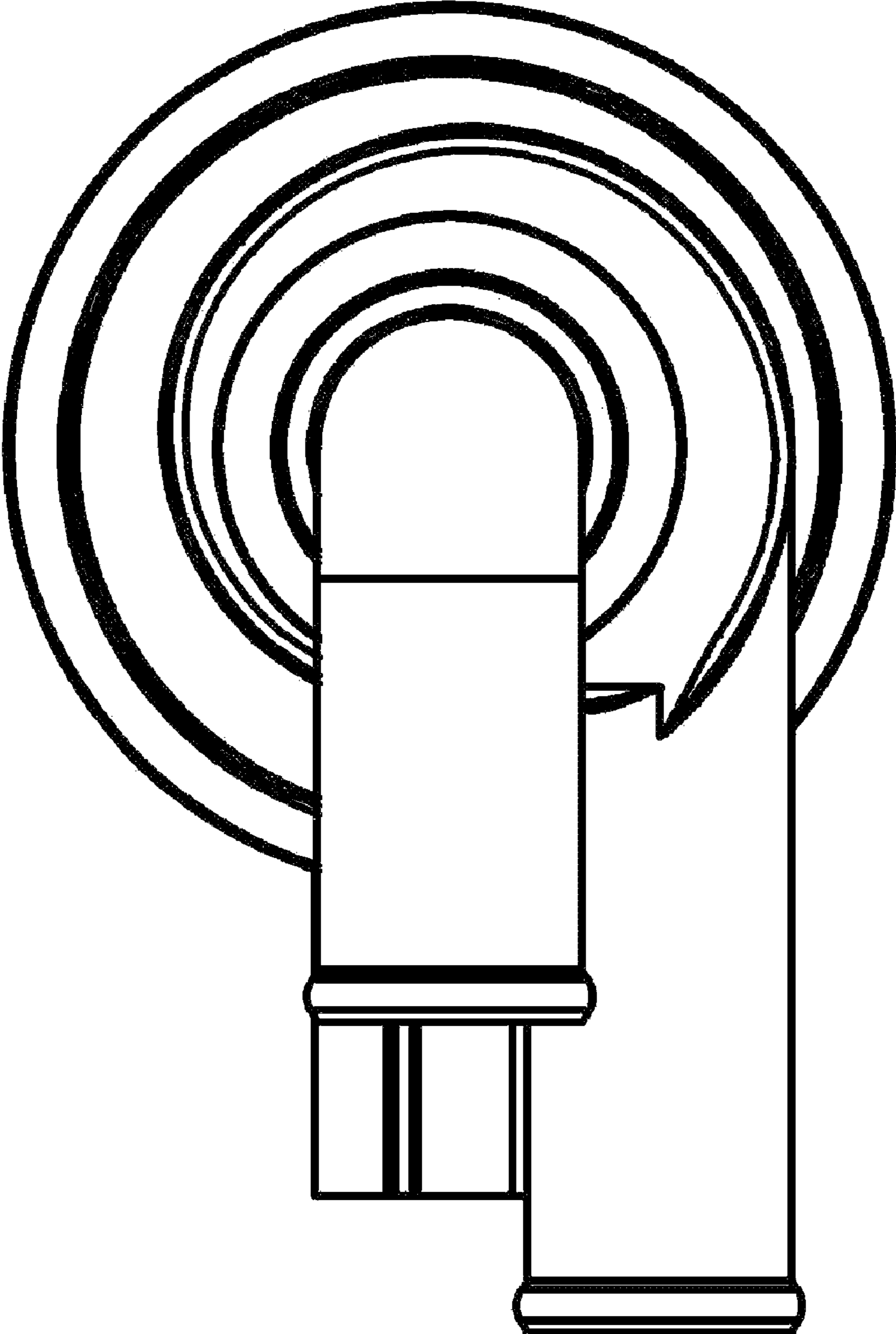


FIG. 13

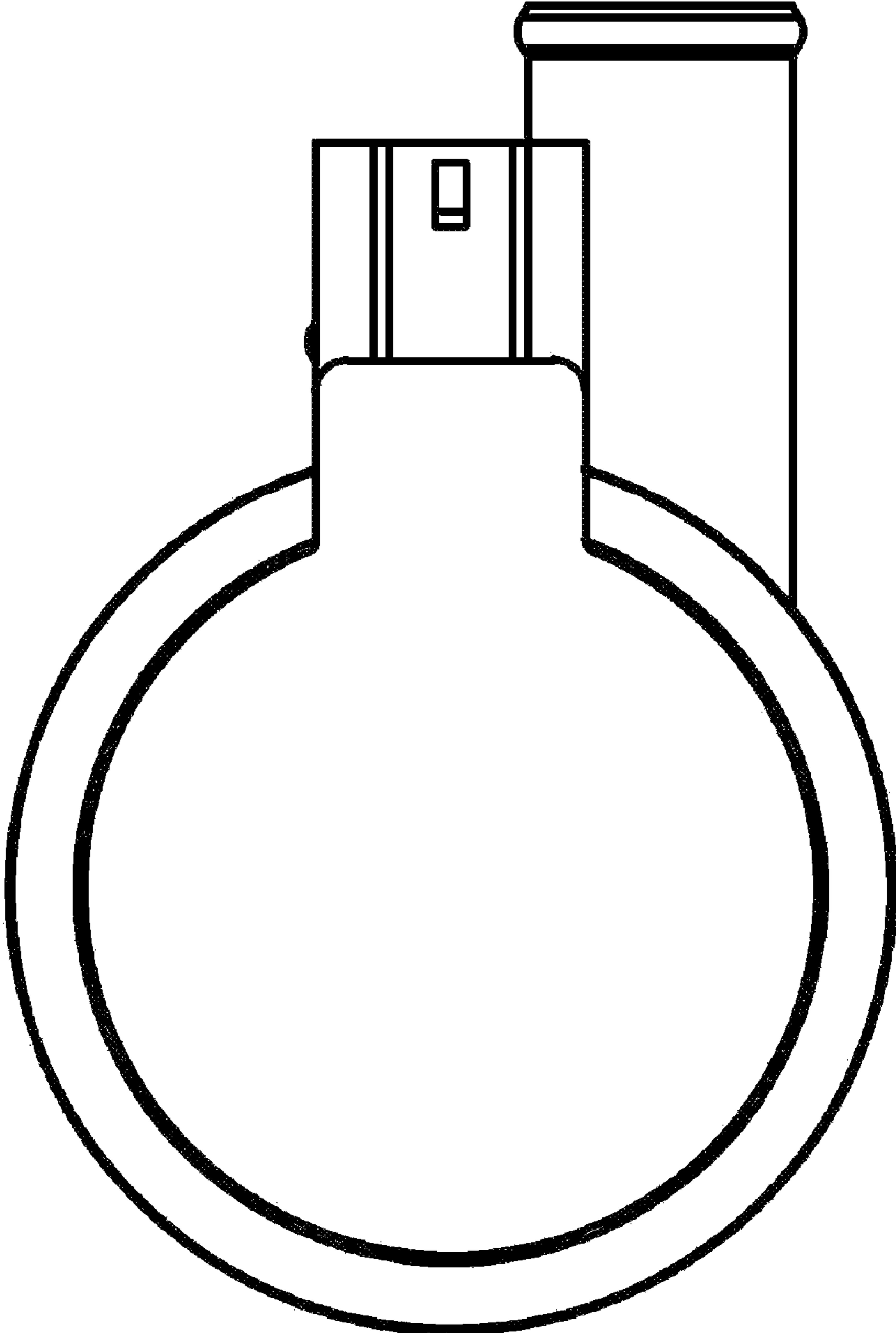


FIG. 14

