



US00D581432S

(12) **United States Design Patent**
Lewis

(10) **Patent No.:** **US D581,432 S**
(45) **Date of Patent:** **** Nov. 25, 2008**

(54) **DIAPHRAGM COVER FOR A CARBURETOR**

Primary Examiner—Lisa P Lichtenstein
(74) *Attorney, Agent, or Firm*—Greenberg Traurig, LLP

(75) **Inventor:** **Simon James Lewis**, Frisco, TX (US)
(73) **Assignee:** **Merge Racing Technologies**, Dallas, TX (US)
(**) **Term:** **14 Years**

(57) **CLAIM**

The ornamental design for a diaphragm cover for a carburetor, as shown and described.

(21) **Appl. No.:** **29/283,484**

(22) **Filed:** **Aug. 15, 2007**

DESCRIPTION

(51) **LOC (8) Cl.** **15-01**
(52) **U.S. Cl.** **D15/6**
(58) **Field of Classification Search** D15/5,
D15/6; D12/126; 261/1, 35; 123/198 R
See application file for complete search history.

FIG. 1 is a top perspective view of the diaphragm cover for a carburetor;
FIG. 2 is a bottom perspective view thereof;
FIG. 3 is a front view thereof;
FIG. 4 is a back view thereof;
FIG. 5 is a right side view thereof;
FIG. 6 is a left side view thereof;
FIG. 7 is a top side view thereof; and,
FIG. 8 is a bottom perspective view thereof.

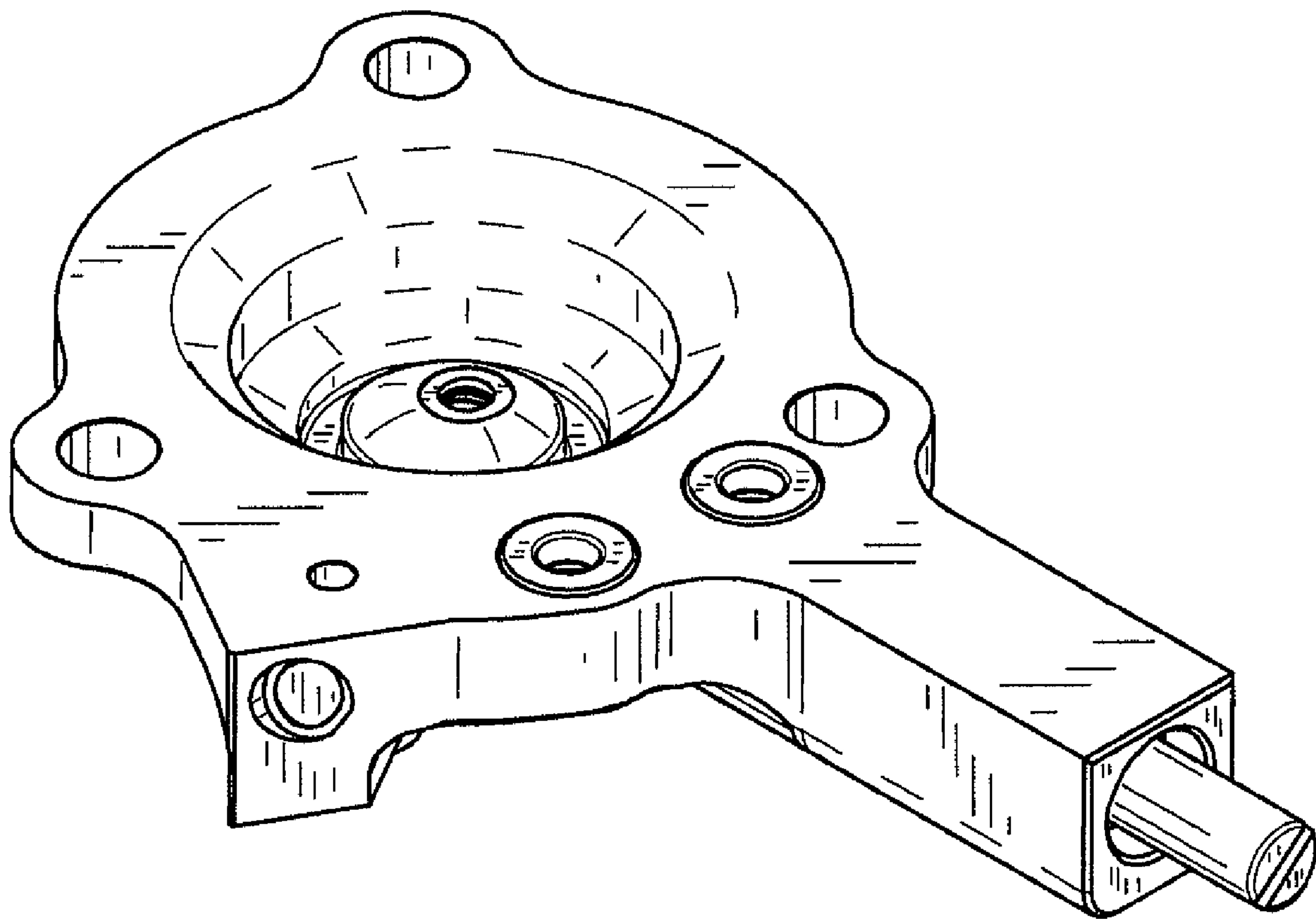
(56) **References Cited**

U.S. PATENT DOCUMENTS

D489,651 S *	5/2004	Young	D12/126
D490,346 S *	5/2004	Young	D12/126
6,749,180 B2 *	6/2004	Durr et al.	261/23.3

* cited by examiner

1 Claim, 5 Drawing Sheets



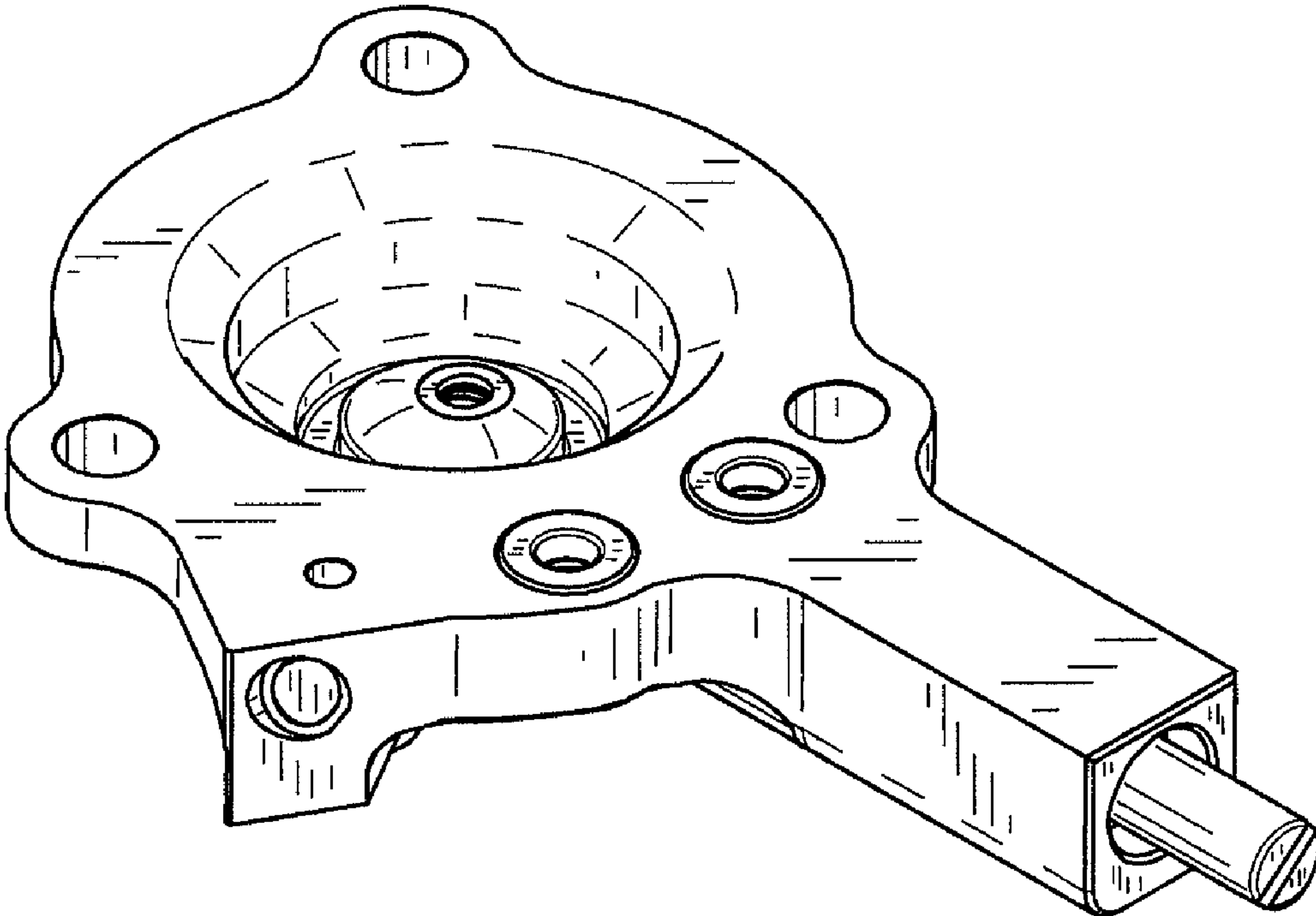


FIG. 1

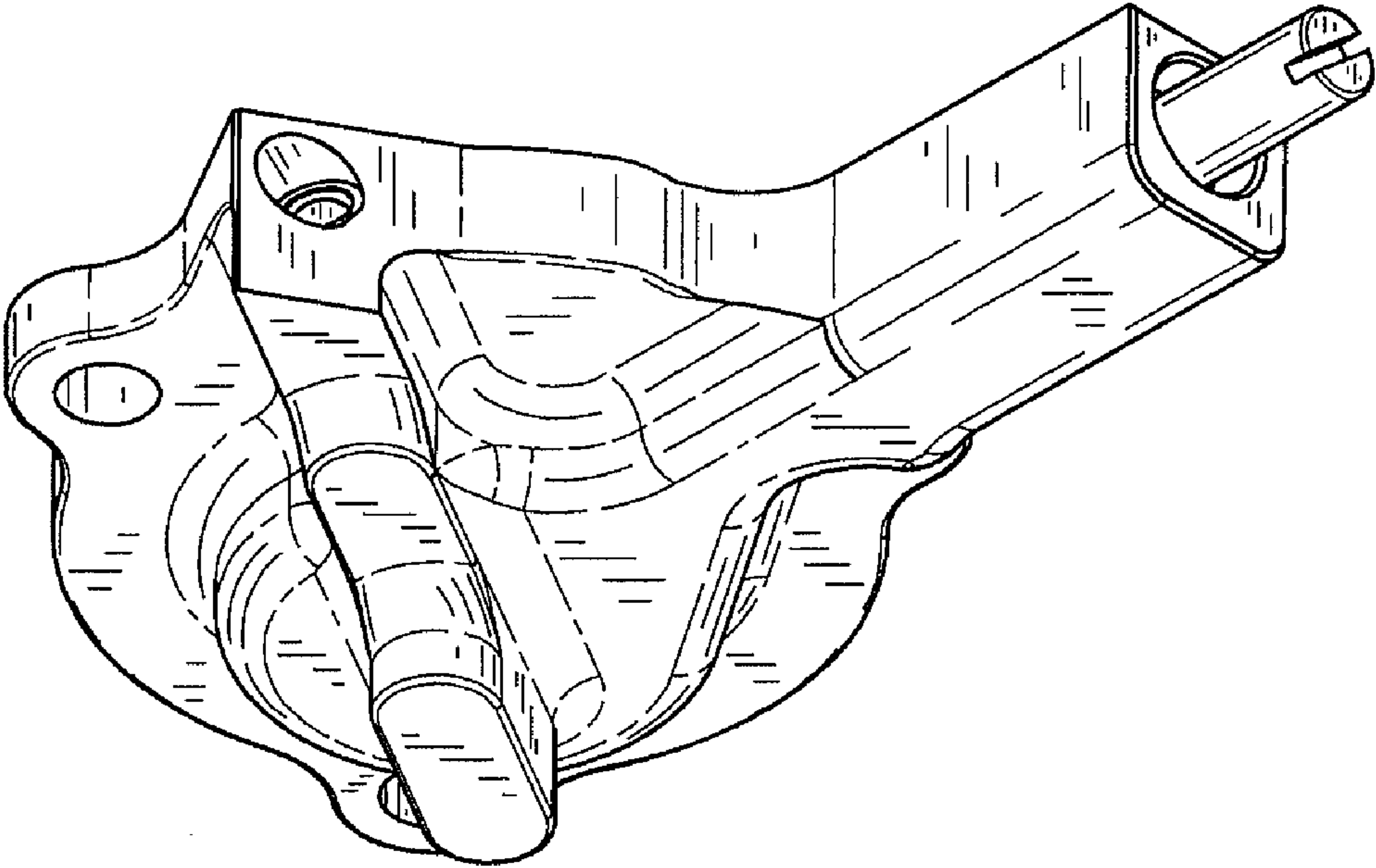


FIG.2

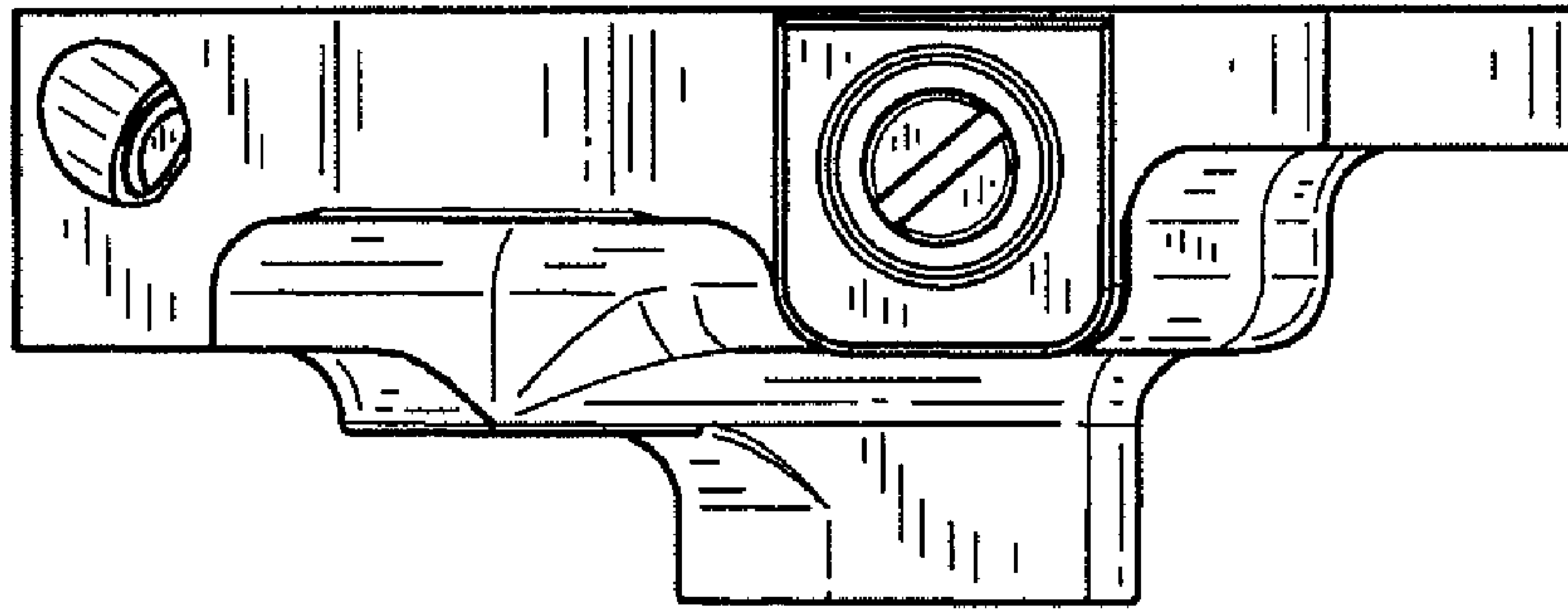


FIG.3

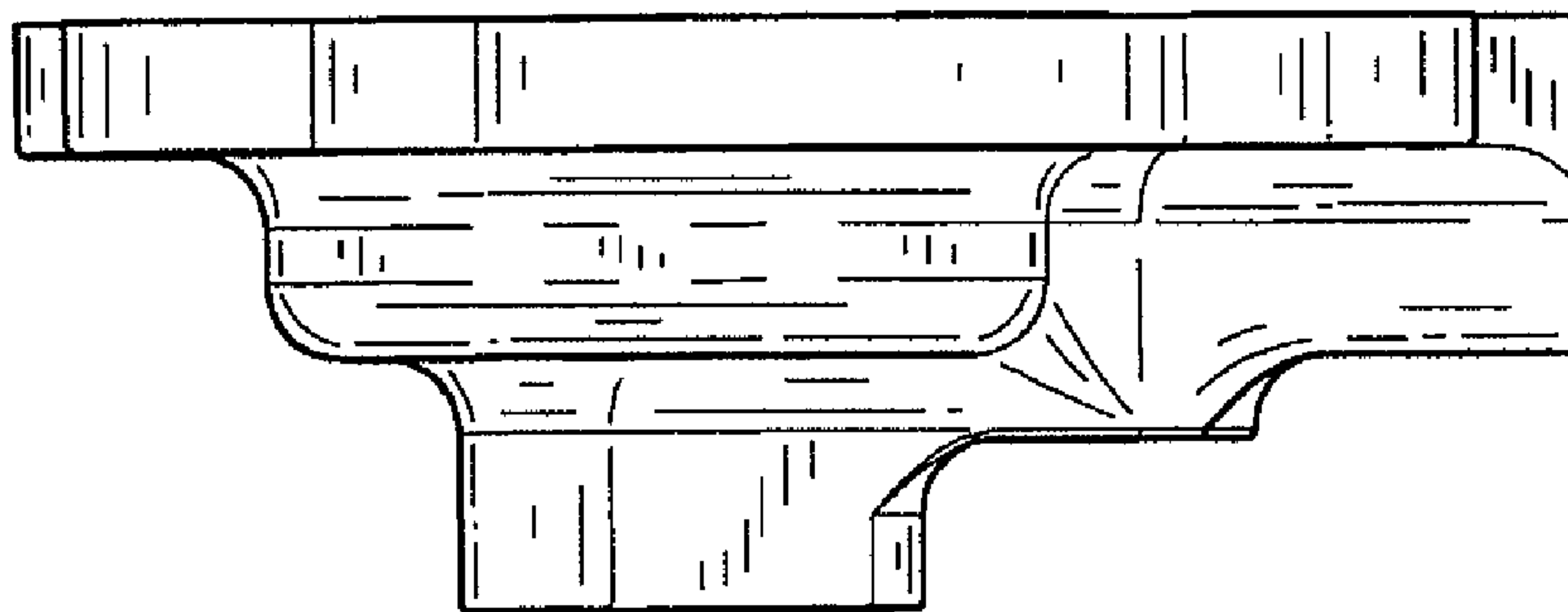


FIG.4

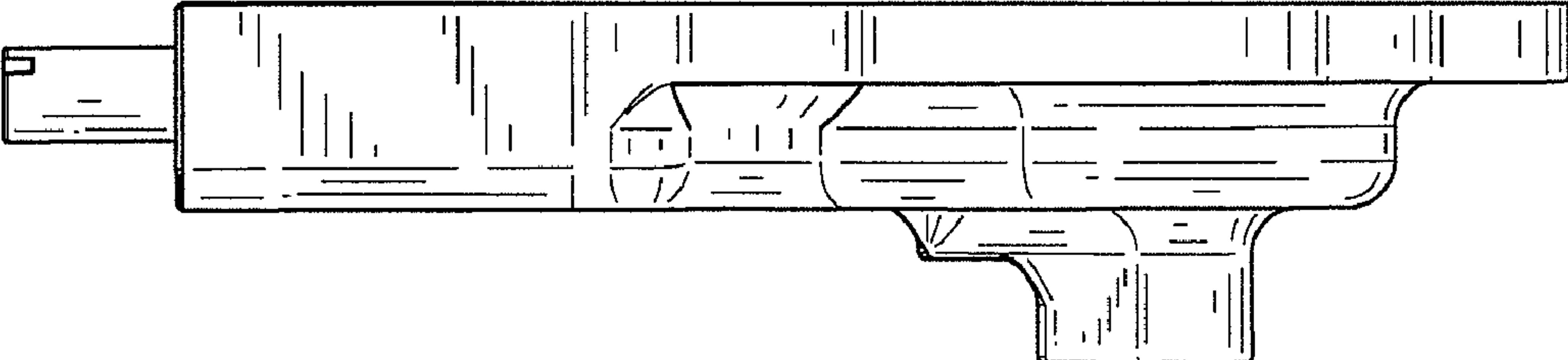


FIG.5

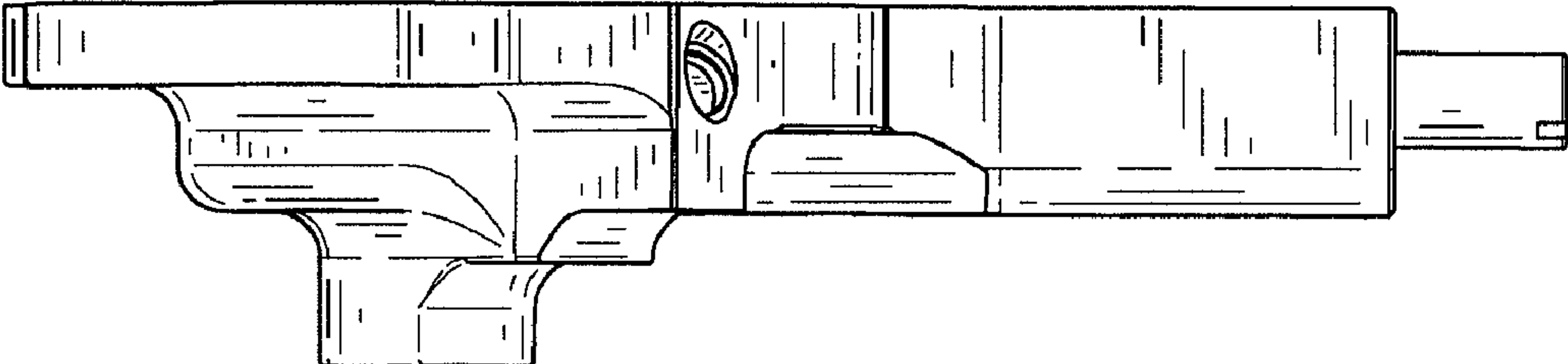


FIG.6

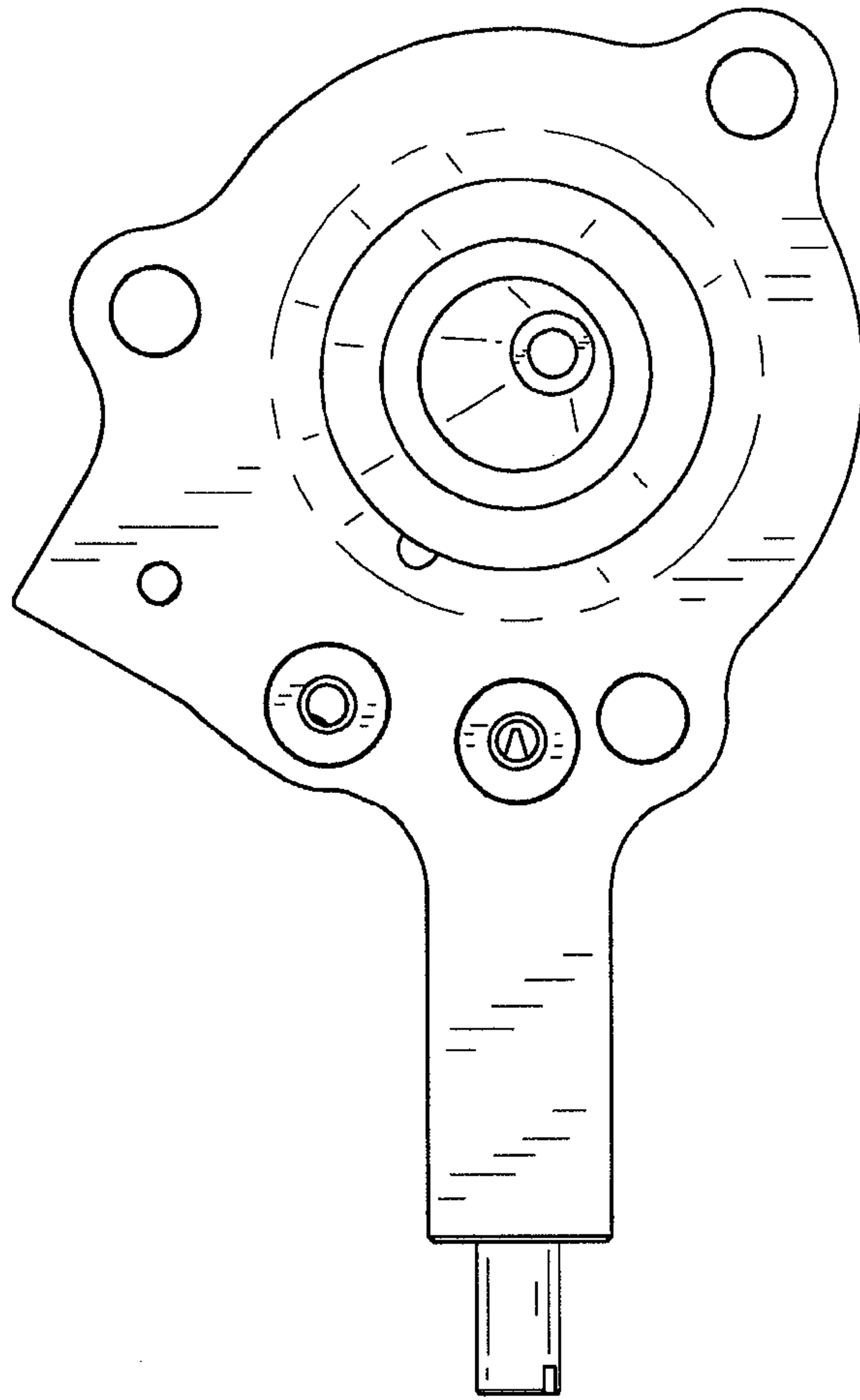


FIG. 7

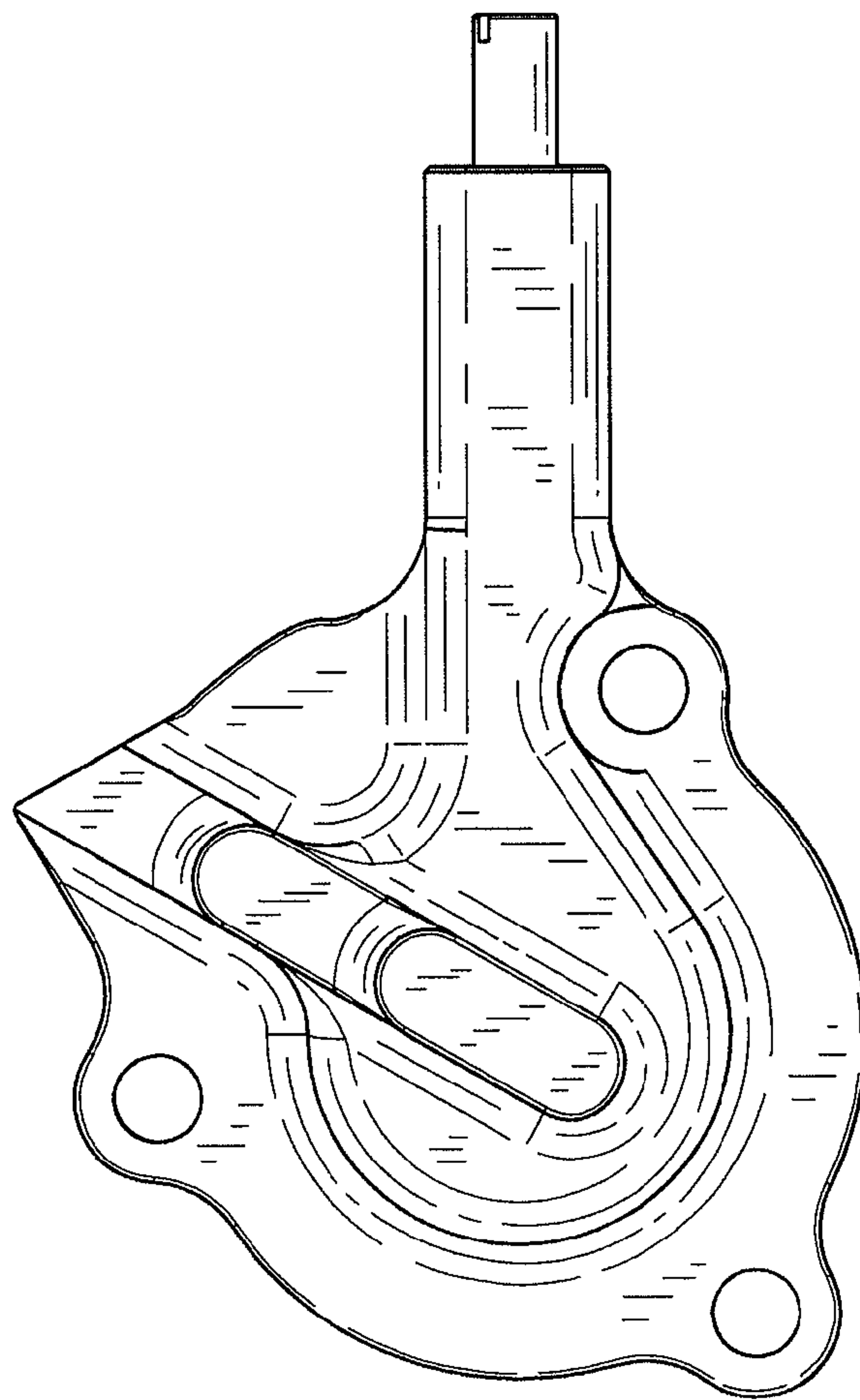


FIG. 8