



US00D581431S

(12) **United States Design Patent**  
**Shimomura**

(10) **Patent No.:** **US D581,431 S**

(45) **Date of Patent:** **\*\* Nov. 25, 2008**

(54) **COVER FOR AN INTERNAL COMBUSTION ENGINE**

(75) Inventor: **Takashi Shimomura**, Takatsuki (JP)

(73) Assignee: **Kubota Corporation**, Osaka (JP)

(\*\*) Term: **14 Years**

(21) Appl. No.: **29/273,500**

(22) Filed: **Mar. 7, 2007**

(30) **Foreign Application Priority Data**

Nov. 8, 2006 (JP) ..... 2006-030511

(51) **LOC (8) Cl.** ..... **15-01**

(52) **U.S. Cl.** ..... **D15/5**

(58) **Field of Classification Search** ..... D15/1-5,  
D15/149, 14, 17; D13/112, 184, 199; D34/15;  
74/606 R; 56/320.2; 123/47.1, 306, 308,  
123/661, 667, 84.47, 572, 657, 195 C, 198 E,  
123/50 A, 50 B, 50 R, 65 R, 70 R, 198 R;  
180/89.1

See application file for complete search history.

(56) **References Cited**

**U.S. PATENT DOCUMENTS**

D387,357 S \* 12/1997 Gilmore ..... D15/1  
D470,507 S \* 2/2003 Maeda et al. .... D15/1

D479,244 S \* 9/2003 Kern et al. .... D15/5

D527,022 S \* 8/2006 Walters ..... D15/5

D527,741 S \* 9/2006 Vervoorn ..... D15/5

D548,750 S \* 8/2007 Neeley et al. .... D15/5

D549,241 S \* 8/2007 Giddens ..... D15/5

\* cited by examiner

*Primary Examiner*—Ian Simmons

*Assistant Examiner*—Wan Laymon

(74) *Attorney, Agent, or Firm*—The Webb Law Firm

(57) **CLAIM**

The ornamental design for a cover for an internal combustion engine, as shown and described.

**DESCRIPTION**

FIG. 1 is a left front perspective view of my cover for an internal combustion engine;

FIG. 2 is a right front perspective view thereof;

FIG. 3 is a right side view thereof;

FIG. 4 is a left side view thereof;

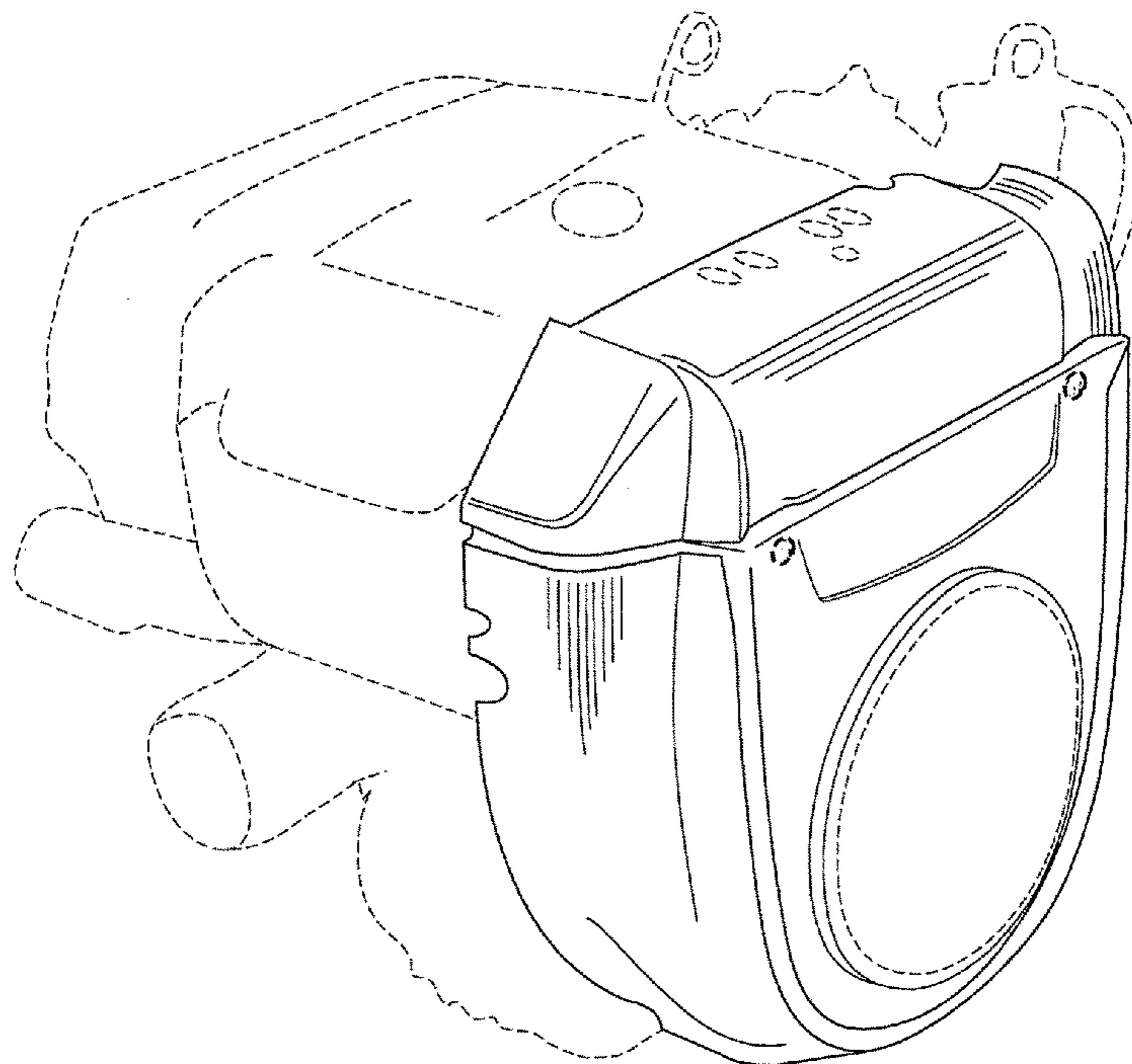
FIG. 5 is a front view thereof;

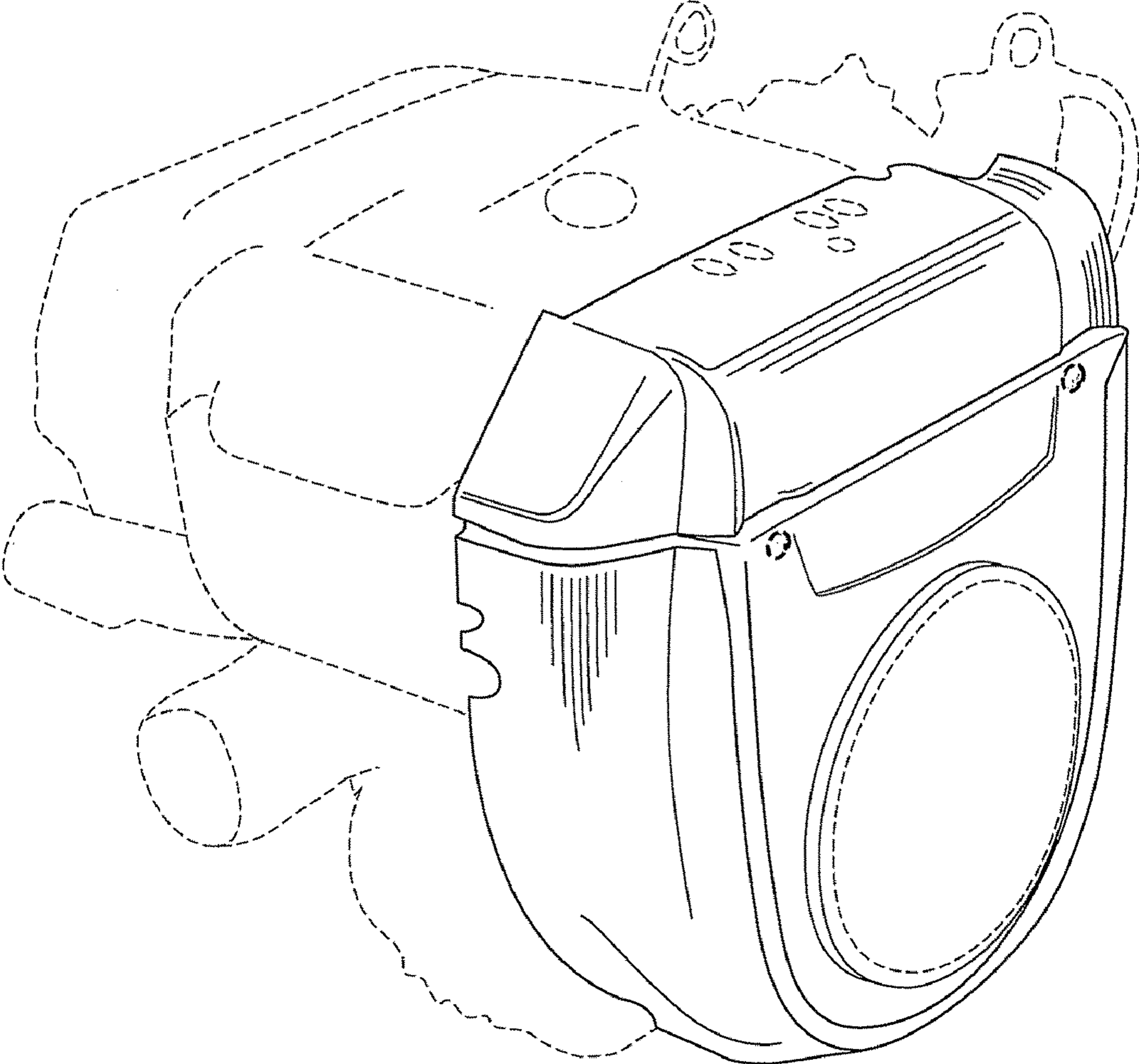
FIG. 6 is a bottom plan view thereof; and,

FIG. 7 is a top plan view thereof.

The broken line showings of FIGS. 1, 2 and 7 are environmental only and not part of the claimed design.

**1 Claim, 7 Drawing Sheets**





**FIG. 1**

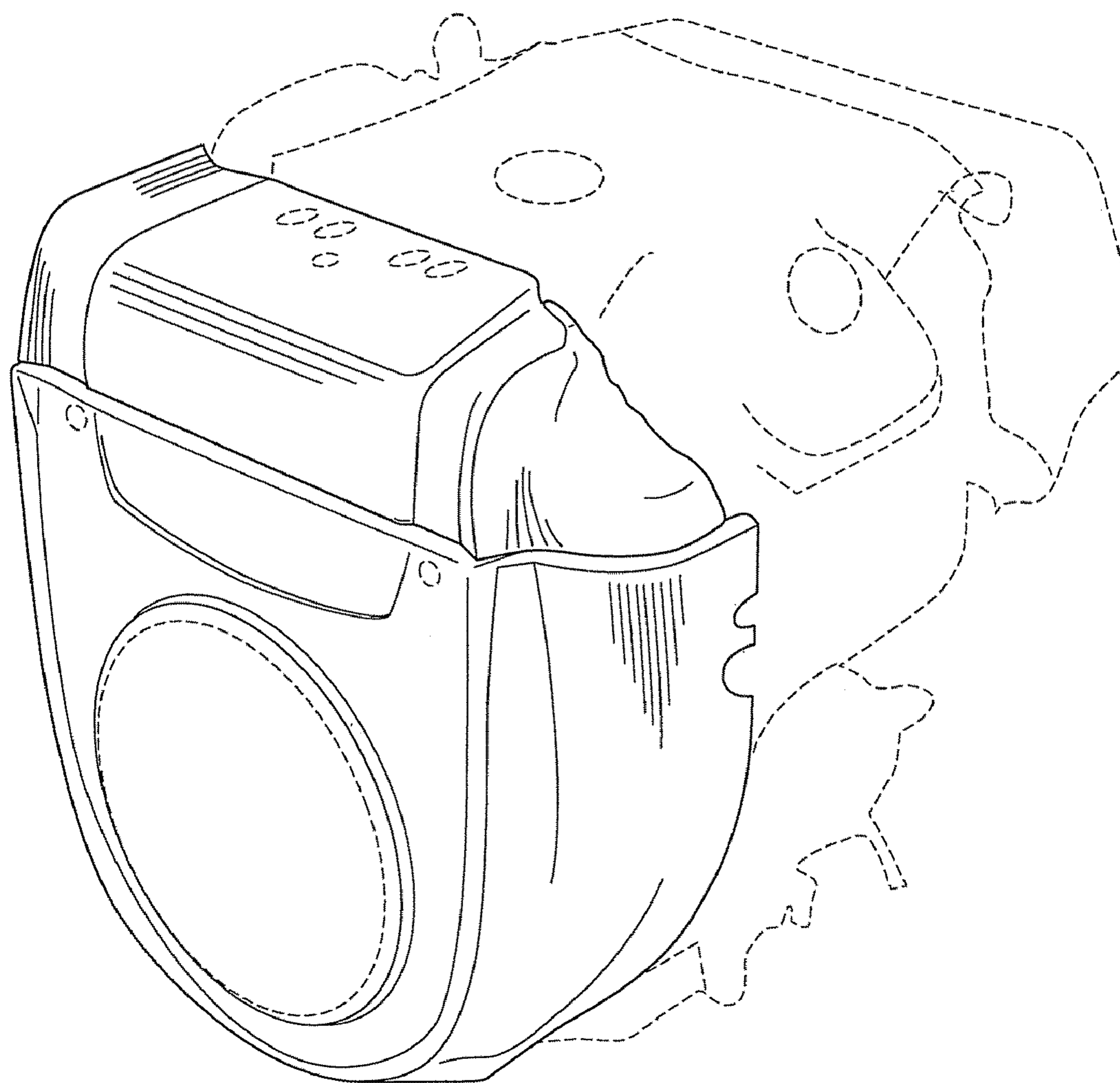
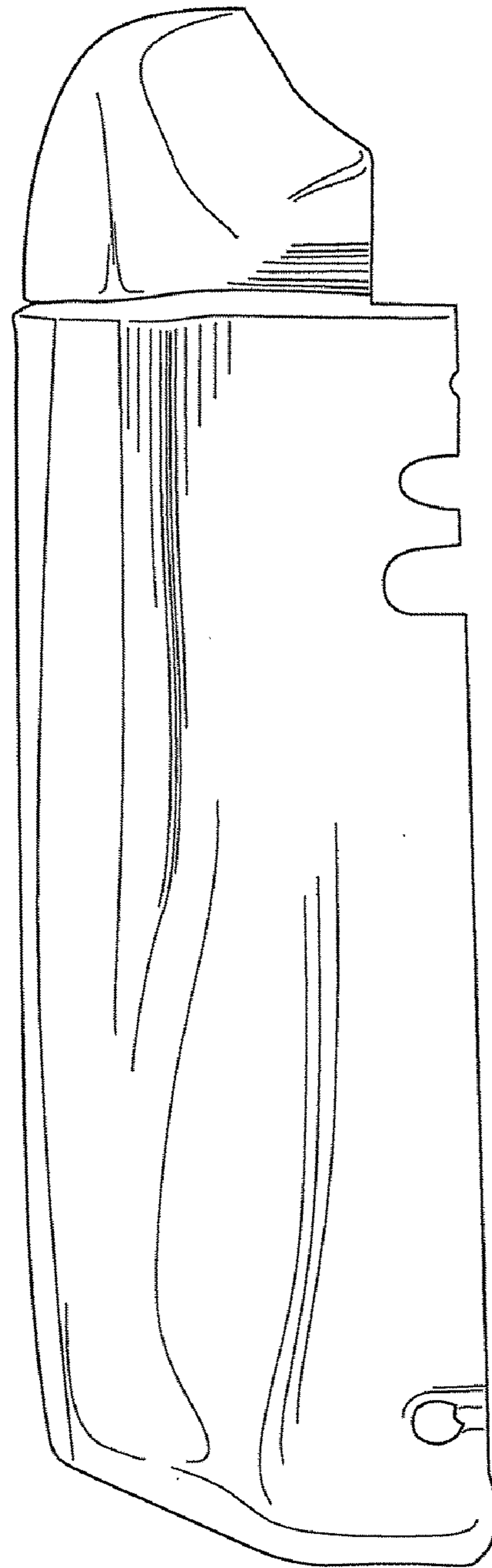
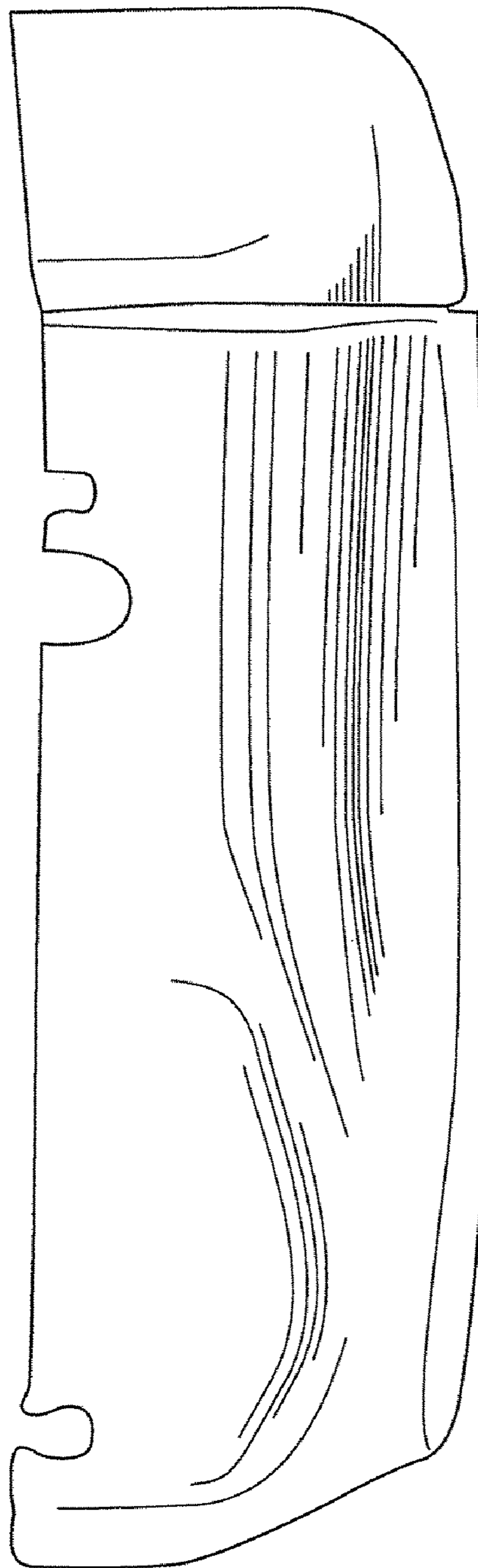


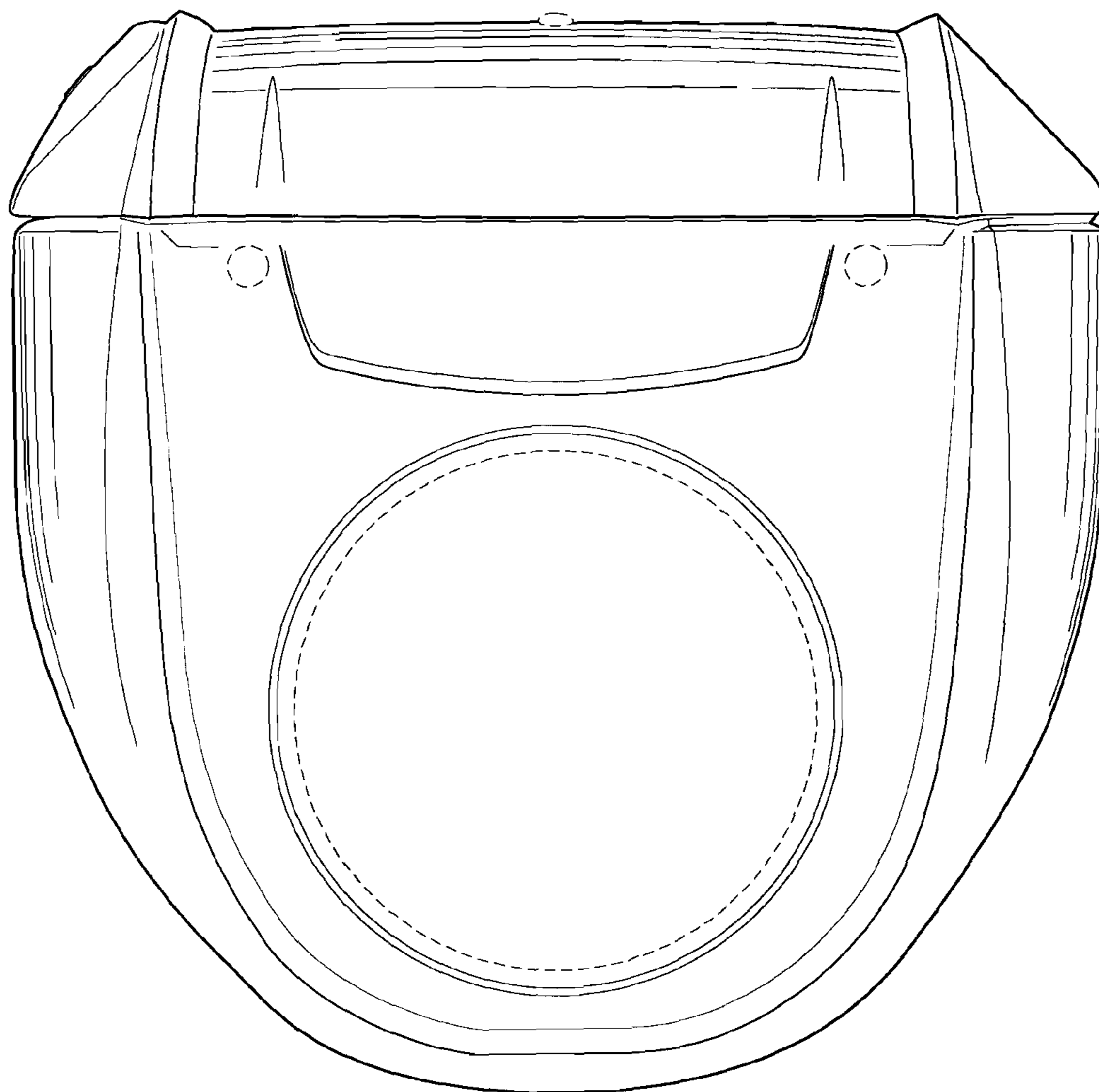
FIG. 2



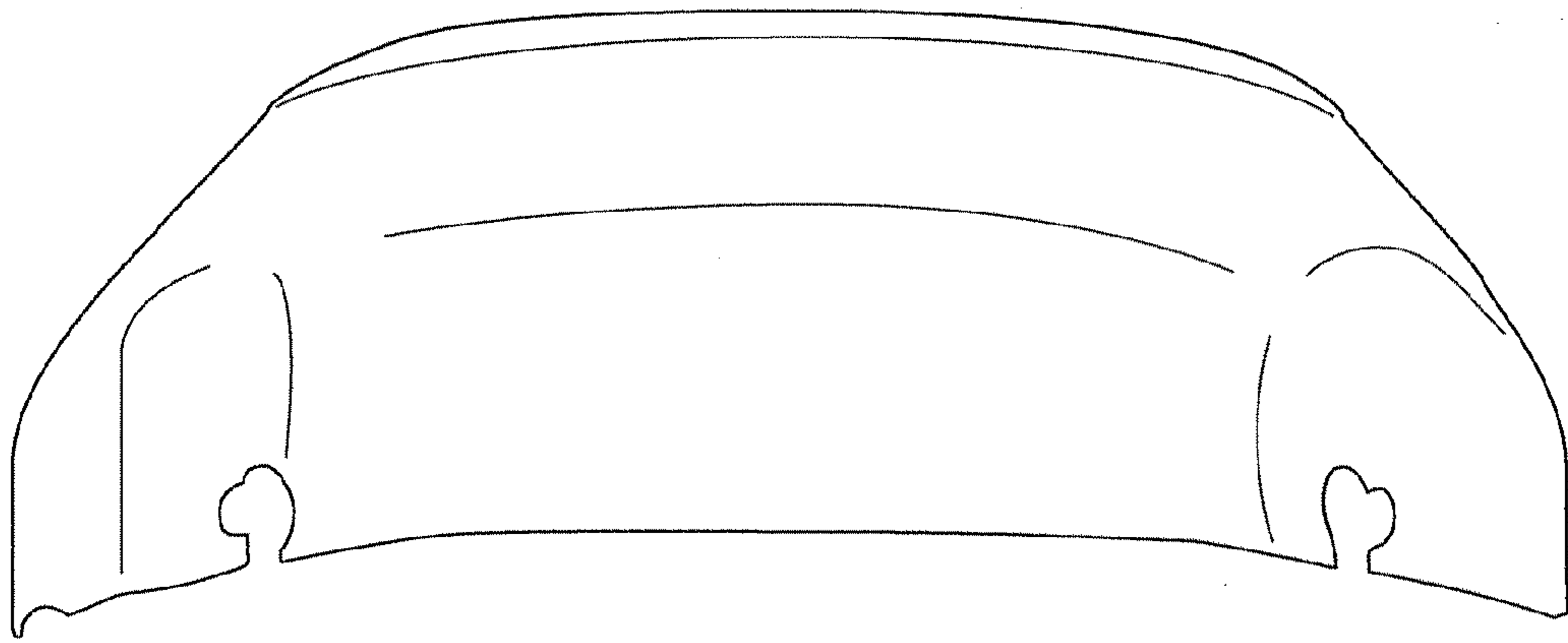
**FIG. 3**



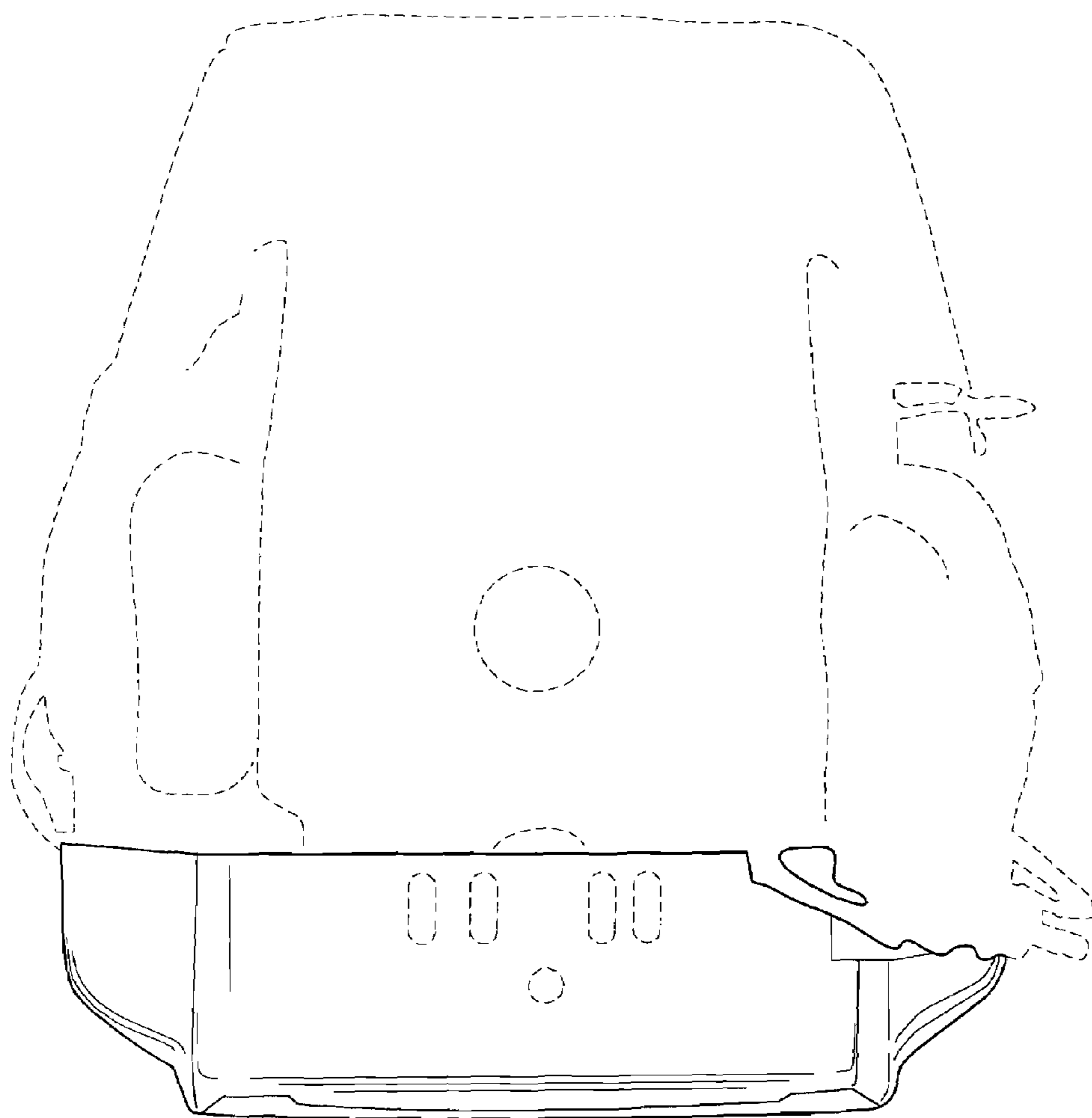
**FIG. 4**



**FIG. 5**



**FIG. 6**



**FIG. 7**