



US00D581429S

(12) **United States Design Patent**
Gilmore

(10) **Patent No.:** **US D581,429 S**

(45) **Date of Patent:** **** Nov. 25, 2008**

(54) **HAND HELD DEVICE CAPABLE OF COMMUNICATING AUDIO AND VIDEO DATA**

7,281,214 B2 *	10/2007	Fadell	715/745
D557,705 S *	12/2007	Gifford et al.	D14/496
D559,859 S *	1/2008	Kim	D14/496
D570,876 S *	6/2008	Lee	D14/496

(76) Inventor: **Monty R. Gilmore**, 128 Confederate Ave., Bluffton, SC (US) 29910-7228

* cited by examiner

(**) Term: **14 Years**

Primary Examiner—Prabhakar Deshmukh

(21) Appl. No.: **29/268,546**

(57) **CLAIM**

(22) Filed: **Nov. 7, 2006**

The ornamental design for a hand held device capable of communicating audio and video data, as shown and described.

(51) **LOC (8) Cl.** **14-03**

(52) **U.S. Cl.** **D14/496**

(58) **Field of Classification Search** D14/496,
D14/401, 435, 474, 483, 217, 137, 138, 160,
D14/168; 345/156, 169, 173-179, 905; 715/727-729,
715/864; 710/1, 5, 8; 713/1, 600; 455/11,
455/1.7, 73, 344-347, 93, 95; 370/342-344;
369/1, 2, 6, 12; 463/43-47; 273/148 B
See application file for complete search history.

DESCRIPTION

(56) **References Cited**

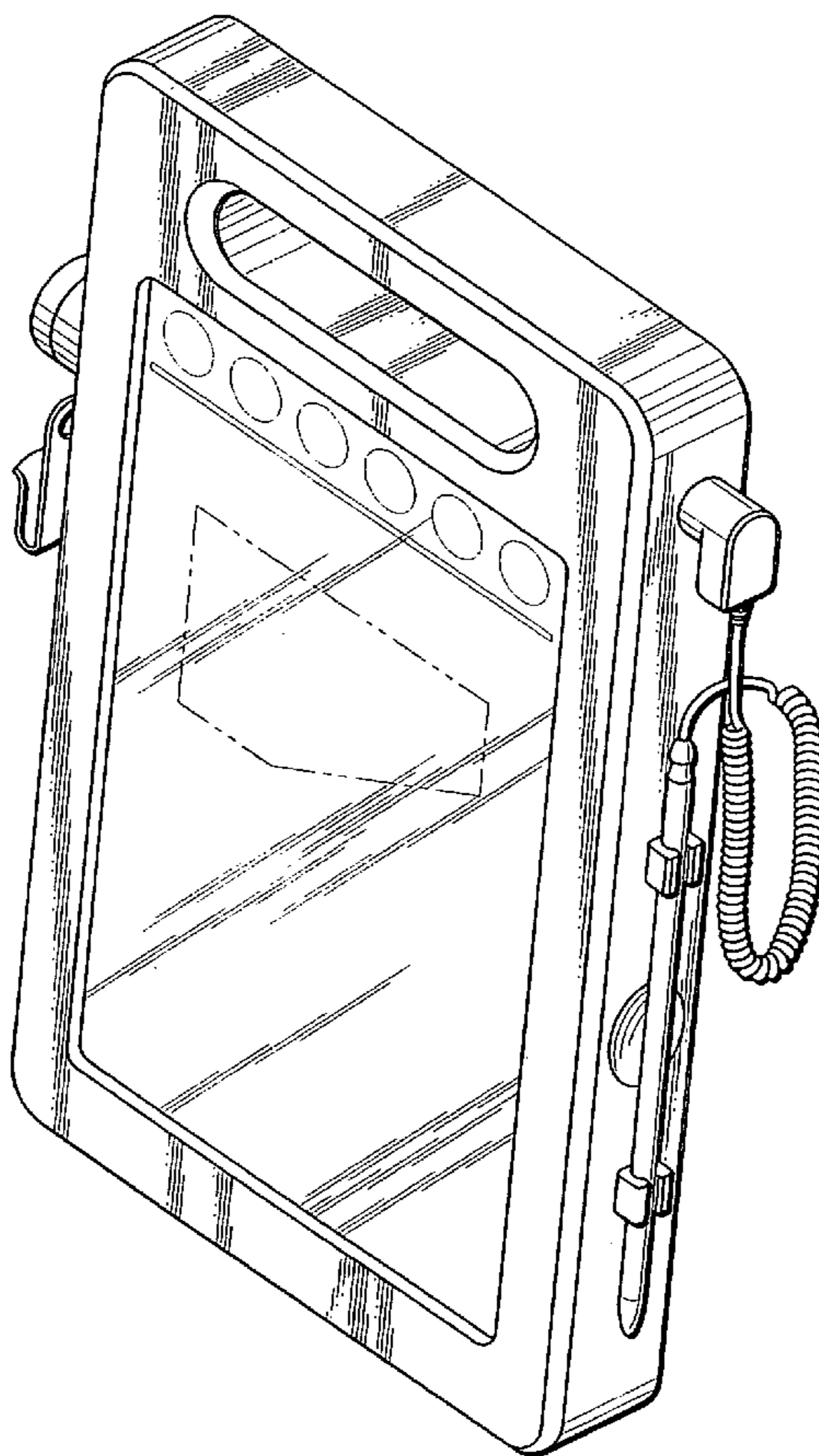
U.S. PATENT DOCUMENTS

6,591,085 B1 *	7/2003	Grady	455/42
6,593,914 B1 *	7/2003	Nuovo et al.	345/169
D521,527 S *	5/2006	Lee	D14/496
7,130,251 B1 *	10/2006	Morohashi	369/47.13
D548,247 S *	8/2007	Lee	D14/496

FIG. 1 is a perspective view of my design;
FIG. 2 is a right side view of my design;
FIG. 3 is a left side view of my design;
FIG. 4 is a front view of my design;
FIG. 5 is a top view of my design;
FIG. 6 is a bottom view of my design; and,
FIG. 7 is a rear view of my design.

The broken lines are for illustrative purpose only and form no part of the claimed design.

1 Claim, 3 Drawing Sheets



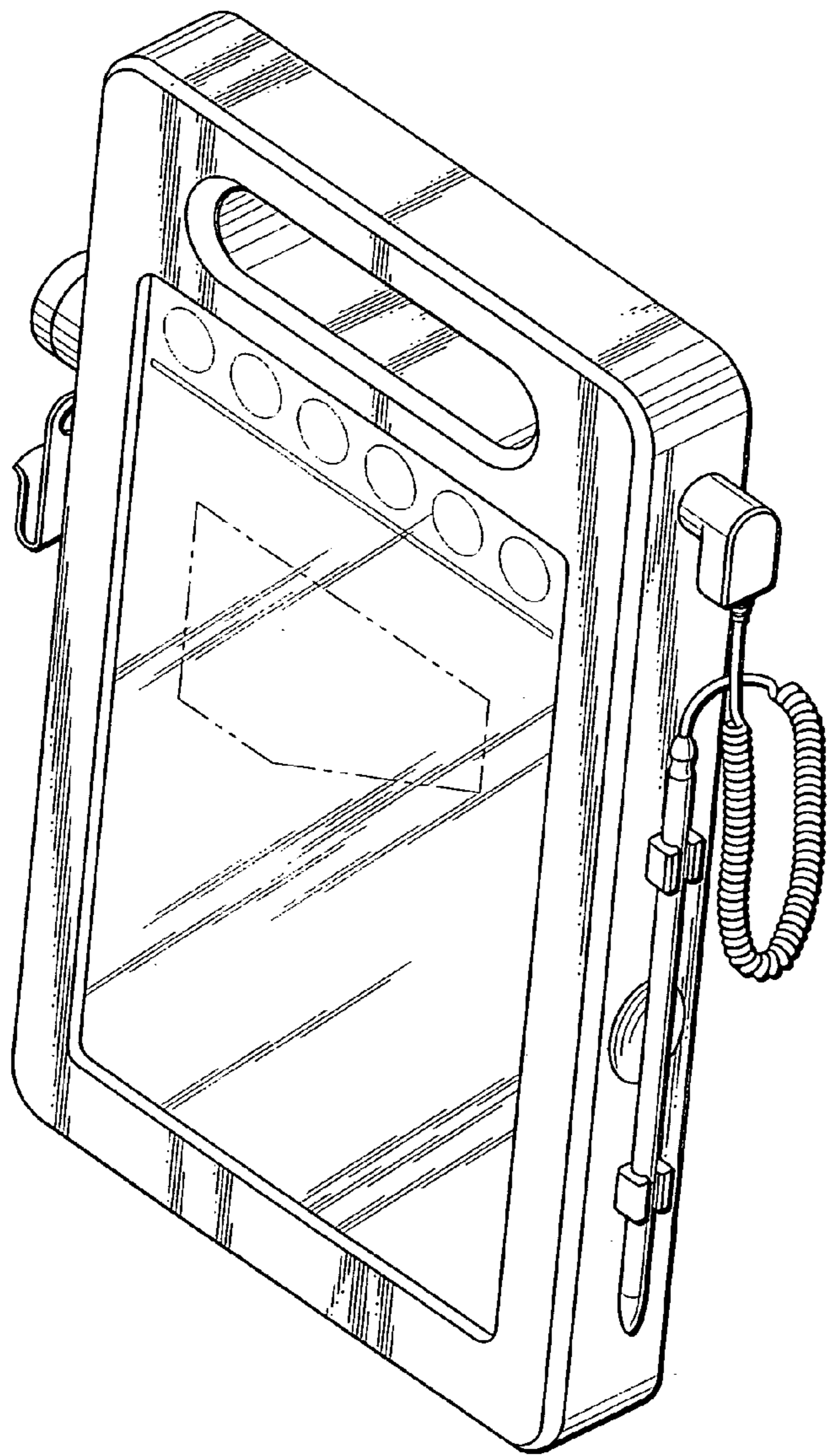


FIG. 1

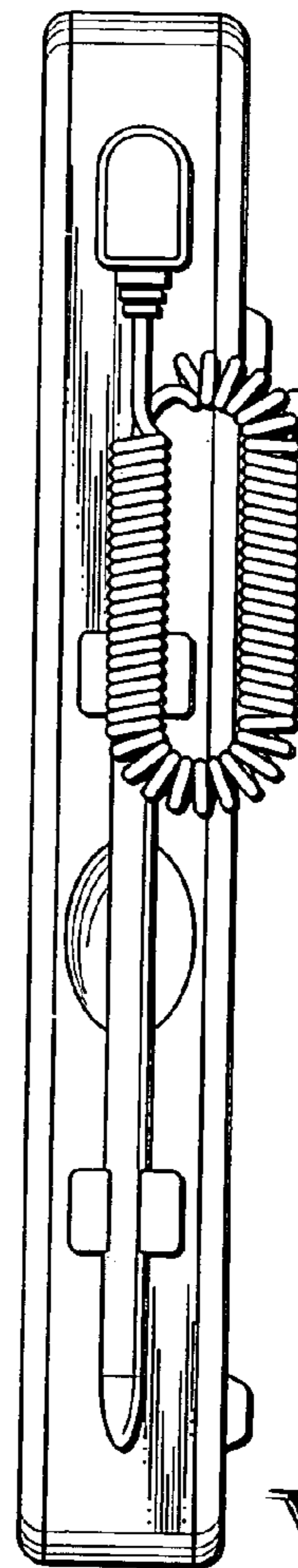


FIG. 2

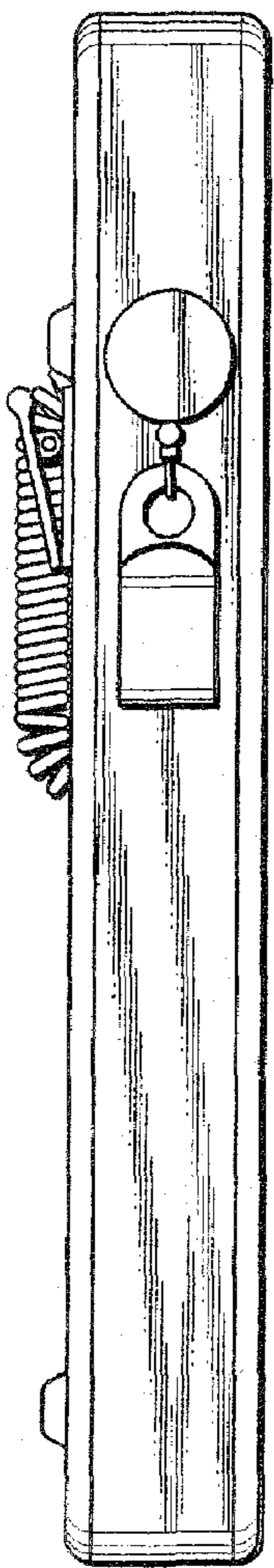


FIG. 3

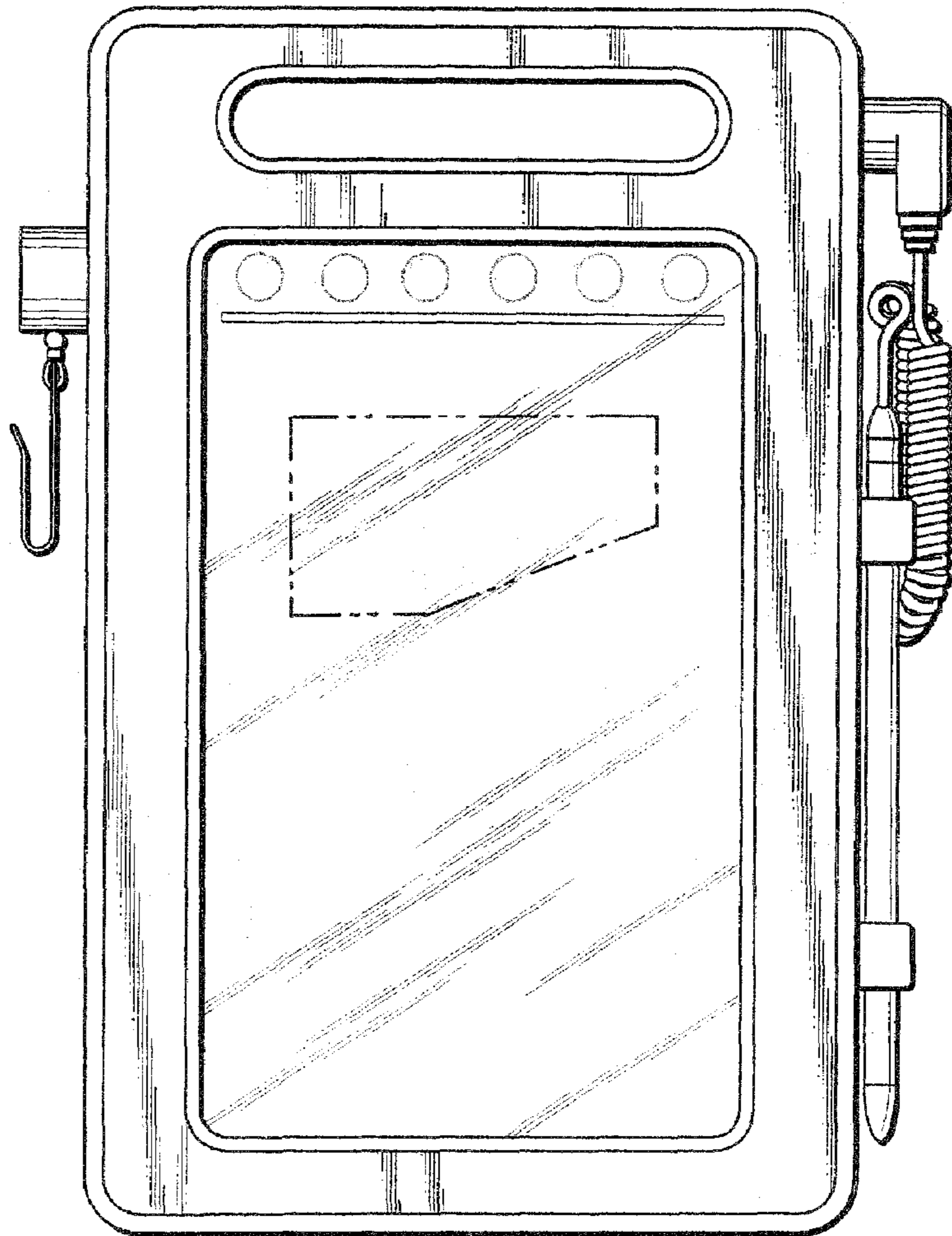


FIG. 4

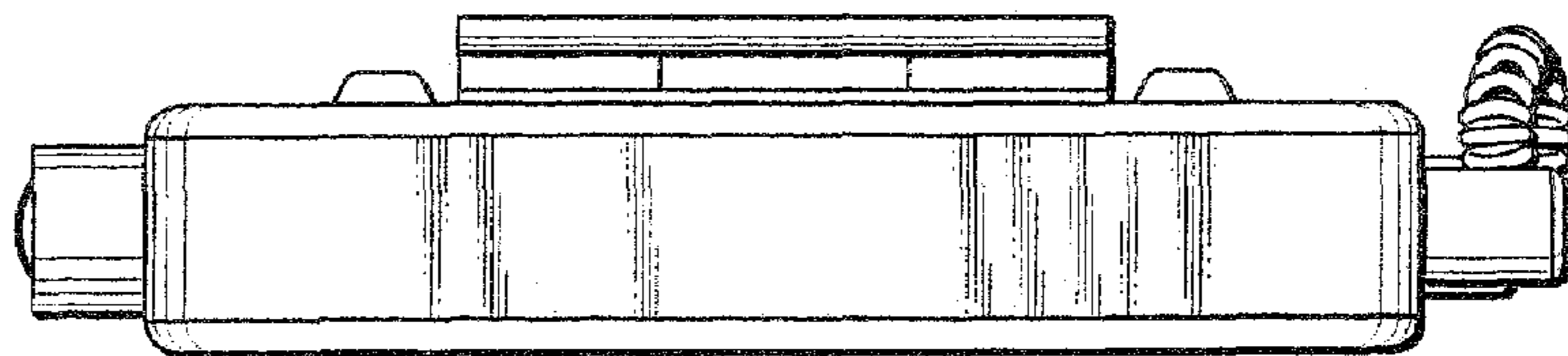


FIG. 5

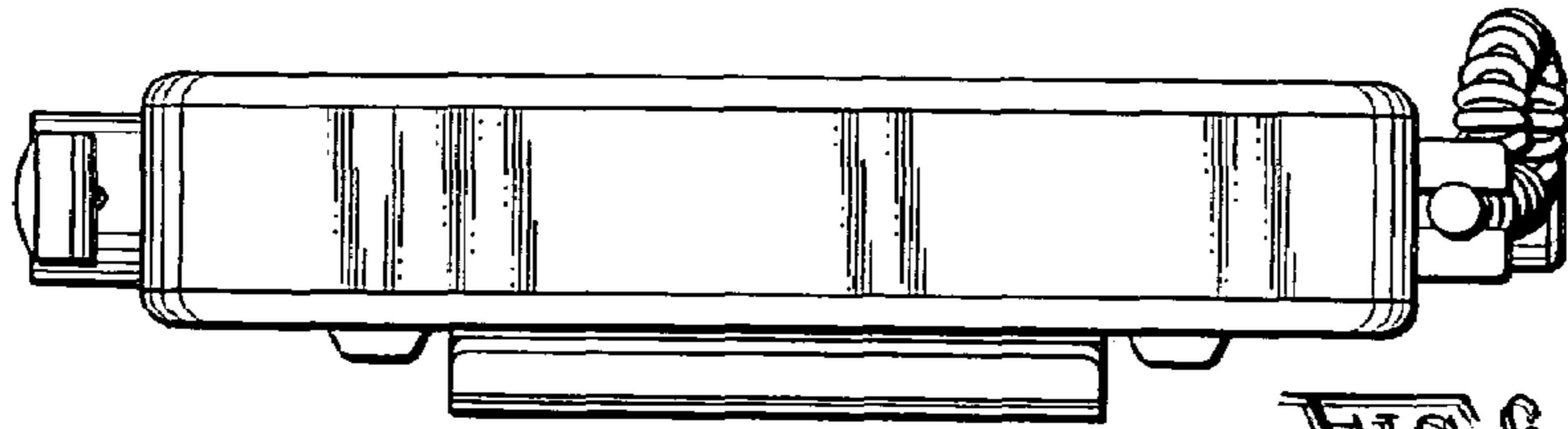


FIG. 6

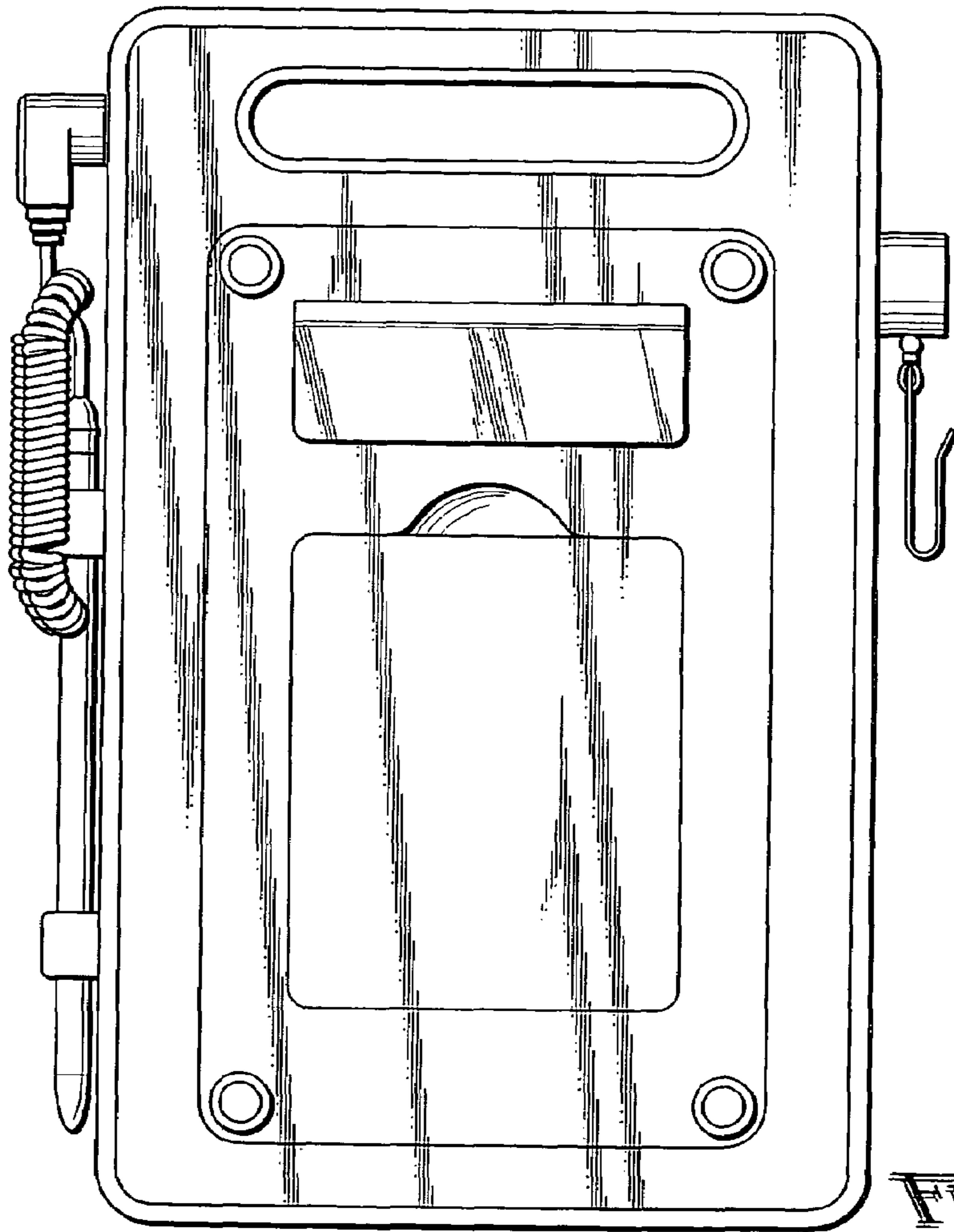


FIG. 7