



US00D581422S

(12) **United States Design Patent**
Hayes et al.

(10) **Patent No.:** **US D581,422 S**
(45) **Date of Patent:** **** Nov. 25, 2008**

(54) **PORTION OF A GAME CONTROLLER**
(75) Inventors: **Jonathan A. Hayes**, Seattle, WA (US);
Michael Baseflug, Duvall, WA (US);
Gregory A. Martinez, Seattle, WA (US)

(73) Assignee: **Microsoft Corporation**, Redmond, WA (US)

(**) Term: **14 Years**

(21) Appl. No.: **29/246,394**

(22) Filed: **Apr. 6, 2006**

Related U.S. Application Data

(63) Continuation of application No. 29/227,638, filed on Apr. 14, 2005, now Pat. No. Des. 522,011.

(51) **LOC (8) Cl.** **14-01**

(52) **U.S. Cl.** **D14/454; D14/401; D21/333**

(58) **Field of Classification Search** D14/400, D14/401, 412-416, 432, 433, 454, 457, 356; D21/324, 333; 273/148 B; 463/1, 29-35, 463/38-47; 345/156, 161, 163, 167; 200/1 R, 200/5 R, 5 A
See application file for complete search history.

(56) **References Cited**

U.S. PATENT DOCUMENTS

D348,083 S	6/1994	Smith et al.	
5,501,458 A	3/1996	Mallory	
D384,112 S *	9/1997	Riley et al.	D14/401
5,759,100 A *	6/1998	Nakanishi	463/37
5,923,317 A *	7/1999	Sayler et al.	345/156
D416,588 S	11/1999	Goto	
D421,433 S *	3/2000	Alviar et al.	D14/401
D424,047 S	5/2000	Chan	
D430,223 S	8/2000	Goto	
D432,180 S	10/2000	Hayes	

6,232,959 B1	5/2001	Pedersen
D451,513 S	12/2001	Stewart et al.
6,342,009 B1	1/2002	Soma
D453,932 S	2/2002	Han et al.
D470,854 S	2/2003	Jones et al.
D471,201 S	3/2003	Tsukuda
6,659,870 B2	12/2003	Sobota
D487,466 S	3/2004	Yokota
6,923,443 B1	8/2005	Hughes, IV

* cited by examiner

Primary Examiner—Prabhakar Deshmukh

(74) *Attorney, Agent, or Firm*—Banner & Witcoff, Ltd.

(57) **CLAIM**

The ornamental design for a portion of a game controller, as shown and described.

DESCRIPTION

FIG. 1 is a front perspective view of a portion of a game controller showing our new design;

FIG. 2 is a top view thereof;

FIG. 3 is a left side view thereof;

FIG. 4 is a right side view thereof;

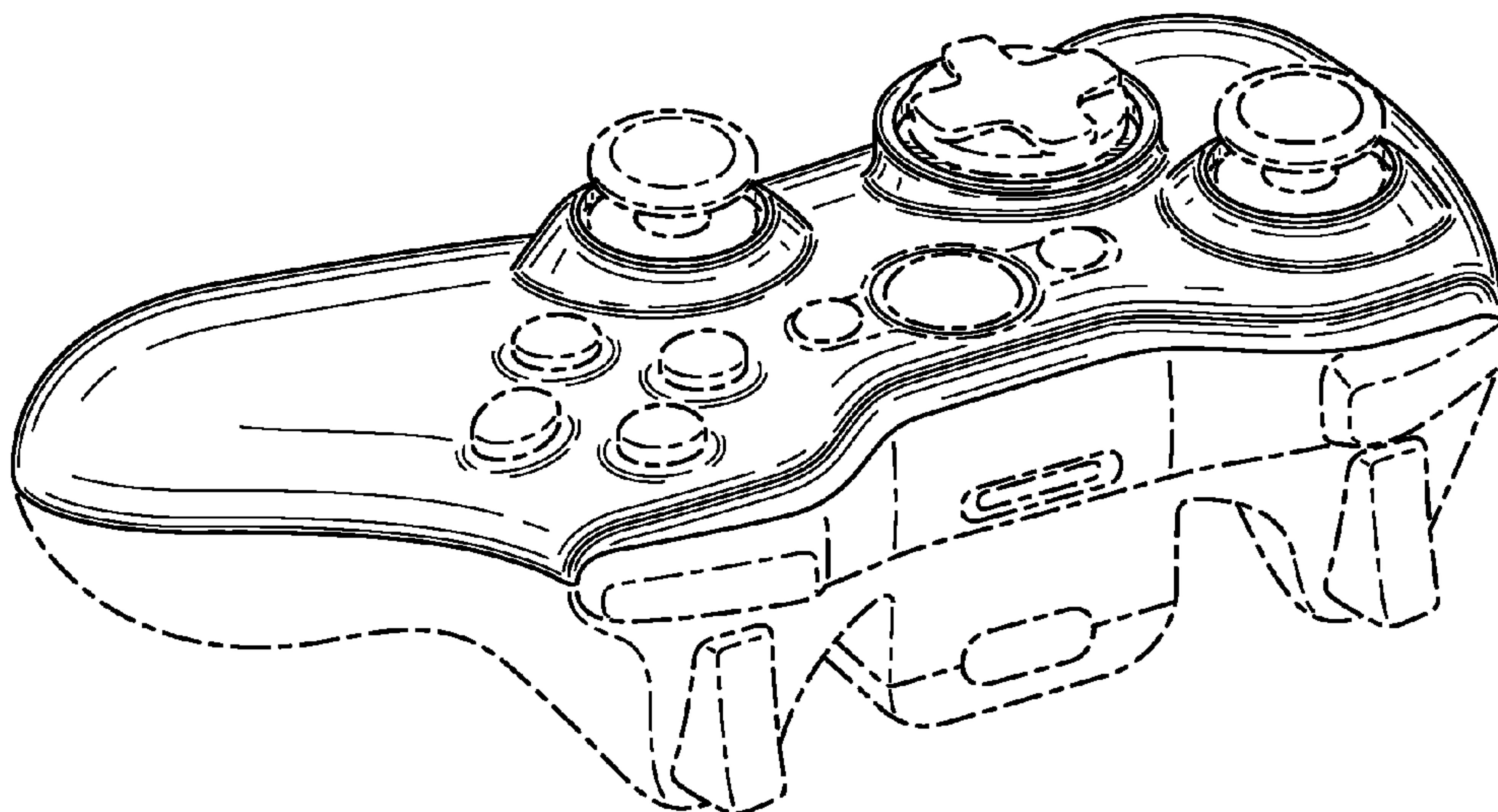
FIG. 5 is a front view thereof;

FIG. 6 is a rear view thereof; and,

FIG. 7 is a bottom view thereof.

The external periphery is in solid lines. Within the periphery of the claimed bounds, the broken line representation of the ten input elements forms no part of the claimed design. The centrally located broken line showing surrounding the three input elements forms no part of the claimed design. The broken line showing of various regions including any respective unshaded region therewithin, and the remainder of the game controller is for illustrative purposes only and forms no part of the claimed design.

1 Claim, 4 Drawing Sheets



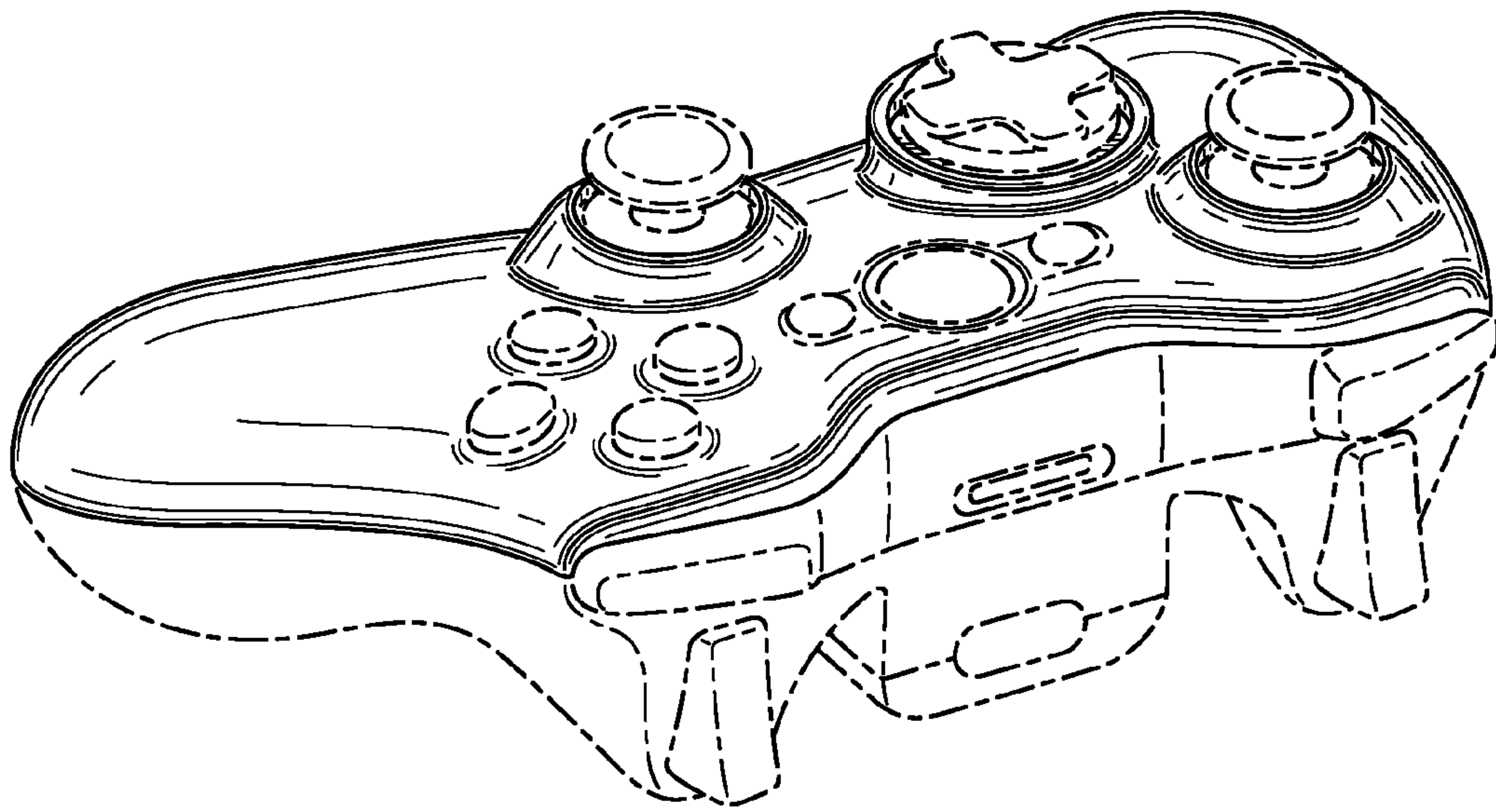


FIG. 1

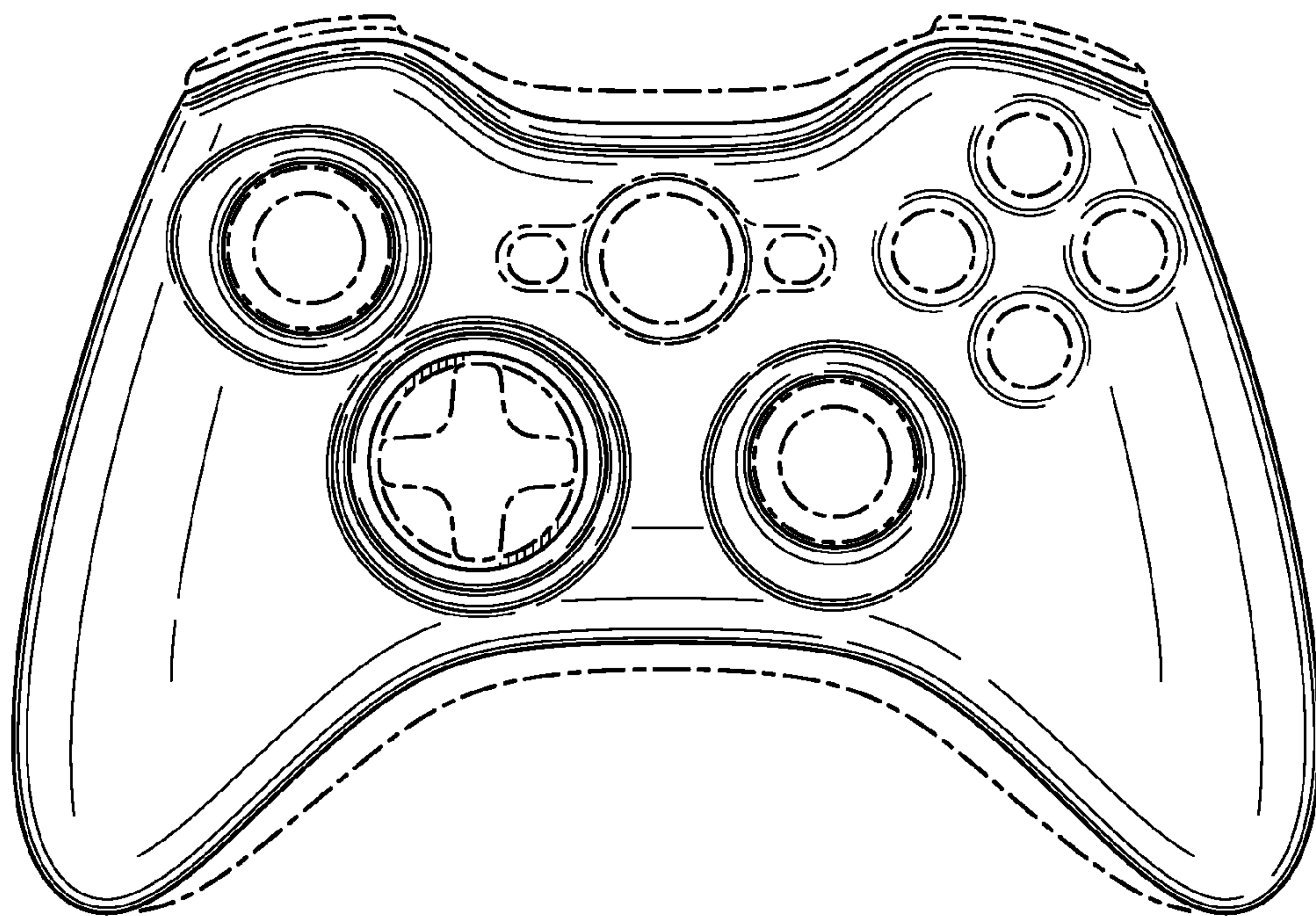


FIG. 2

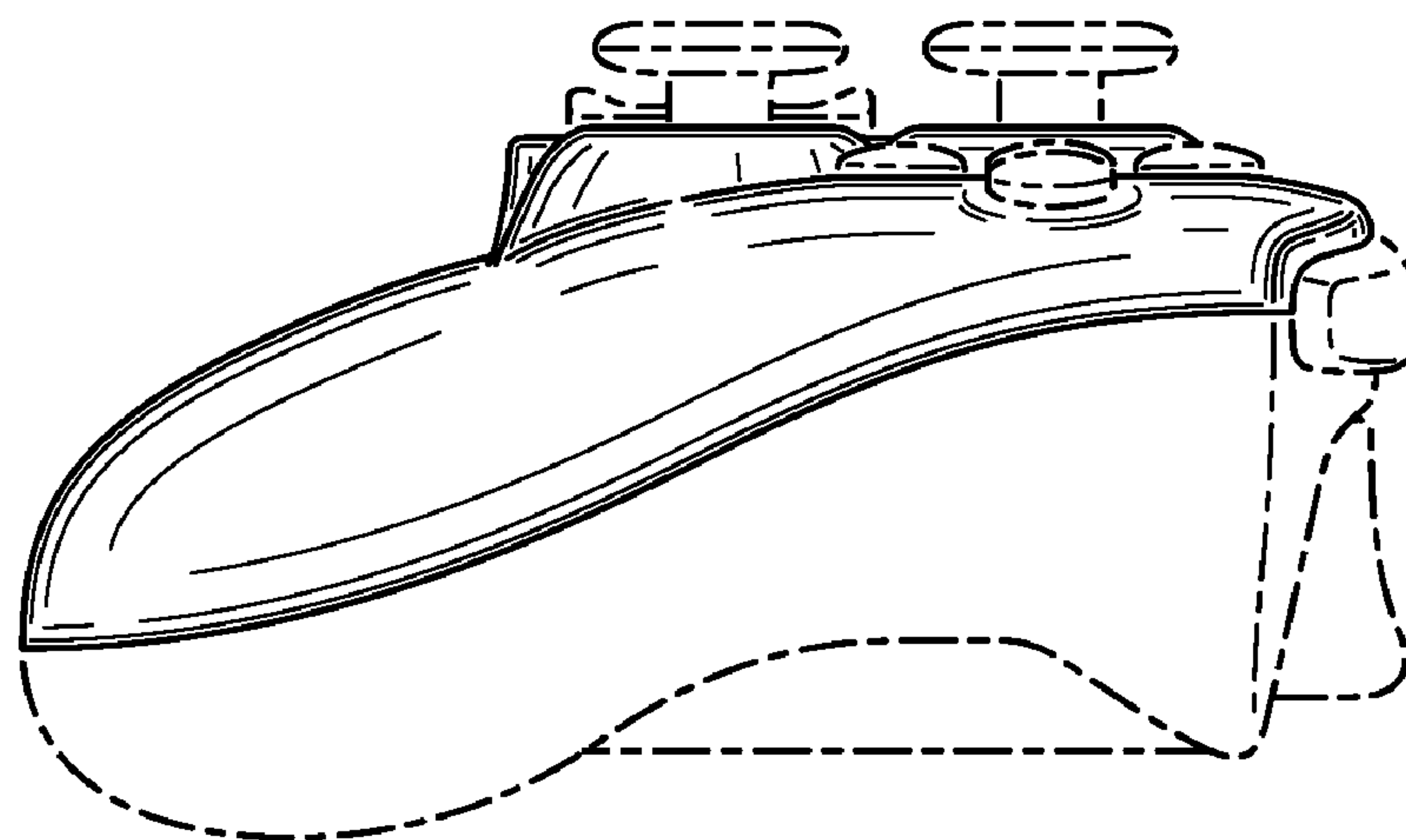


FIG. 3

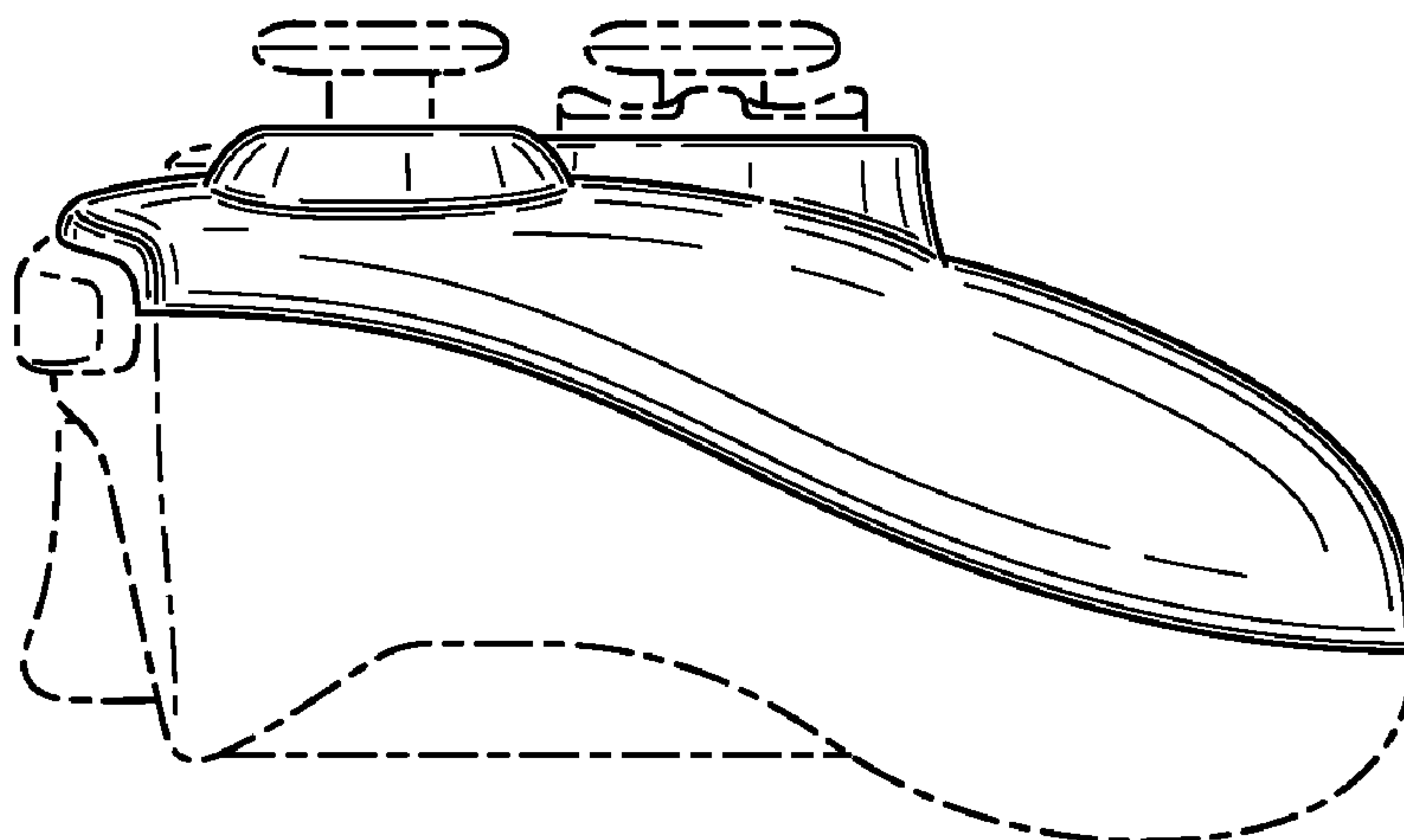


FIG. 4

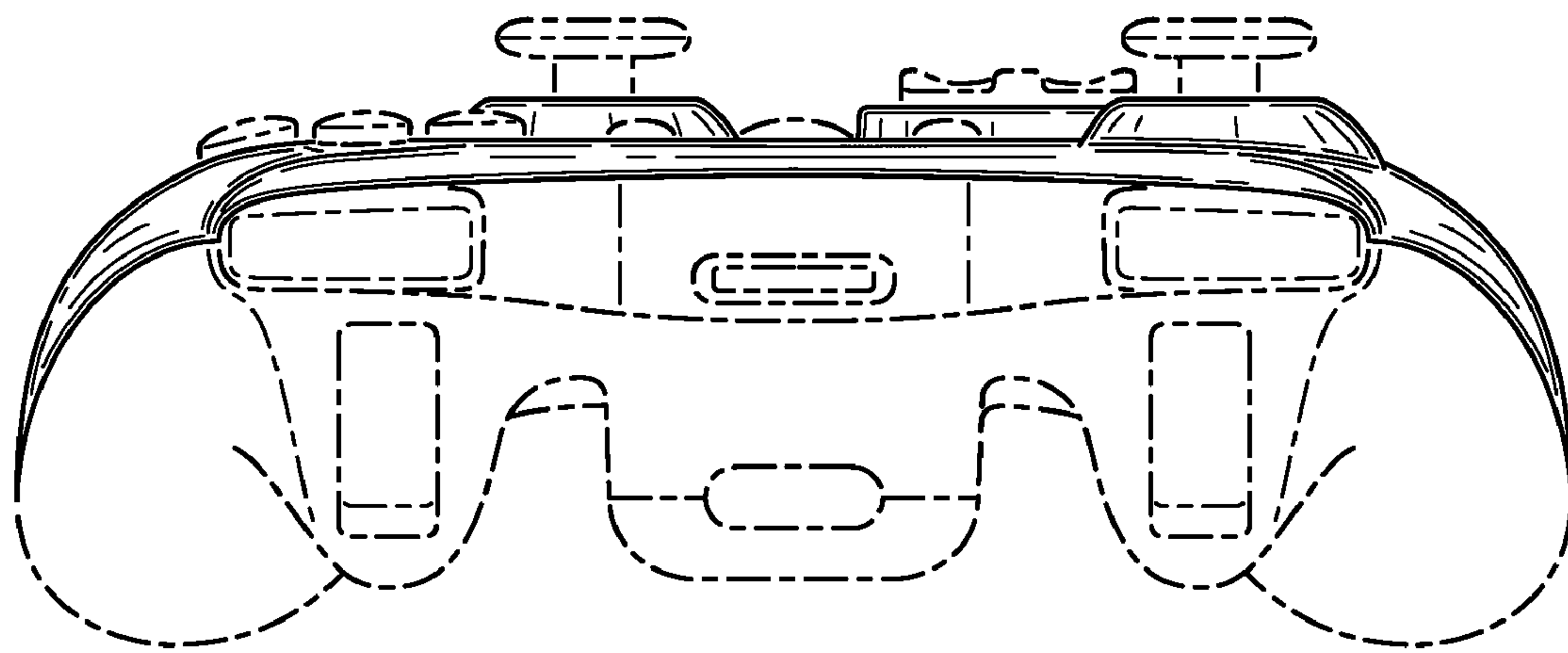


FIG. 5

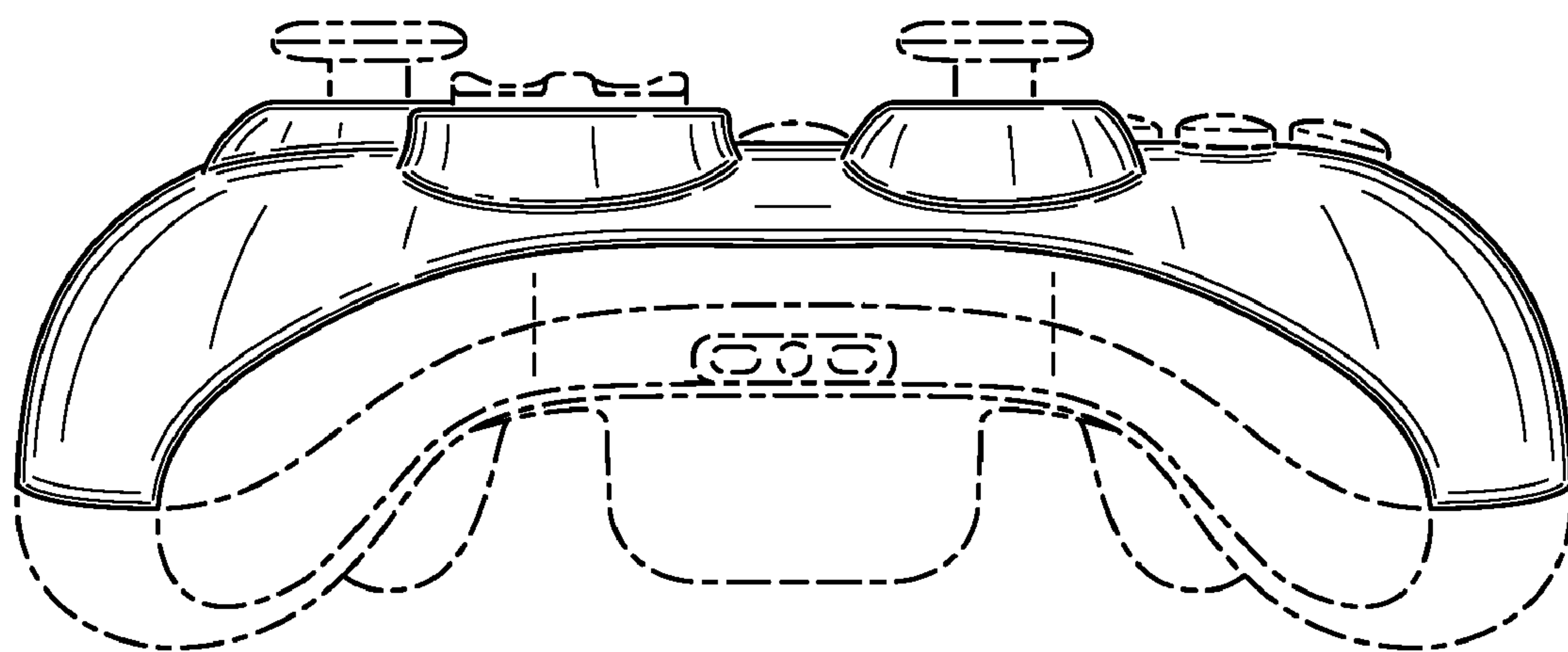


FIG. 6

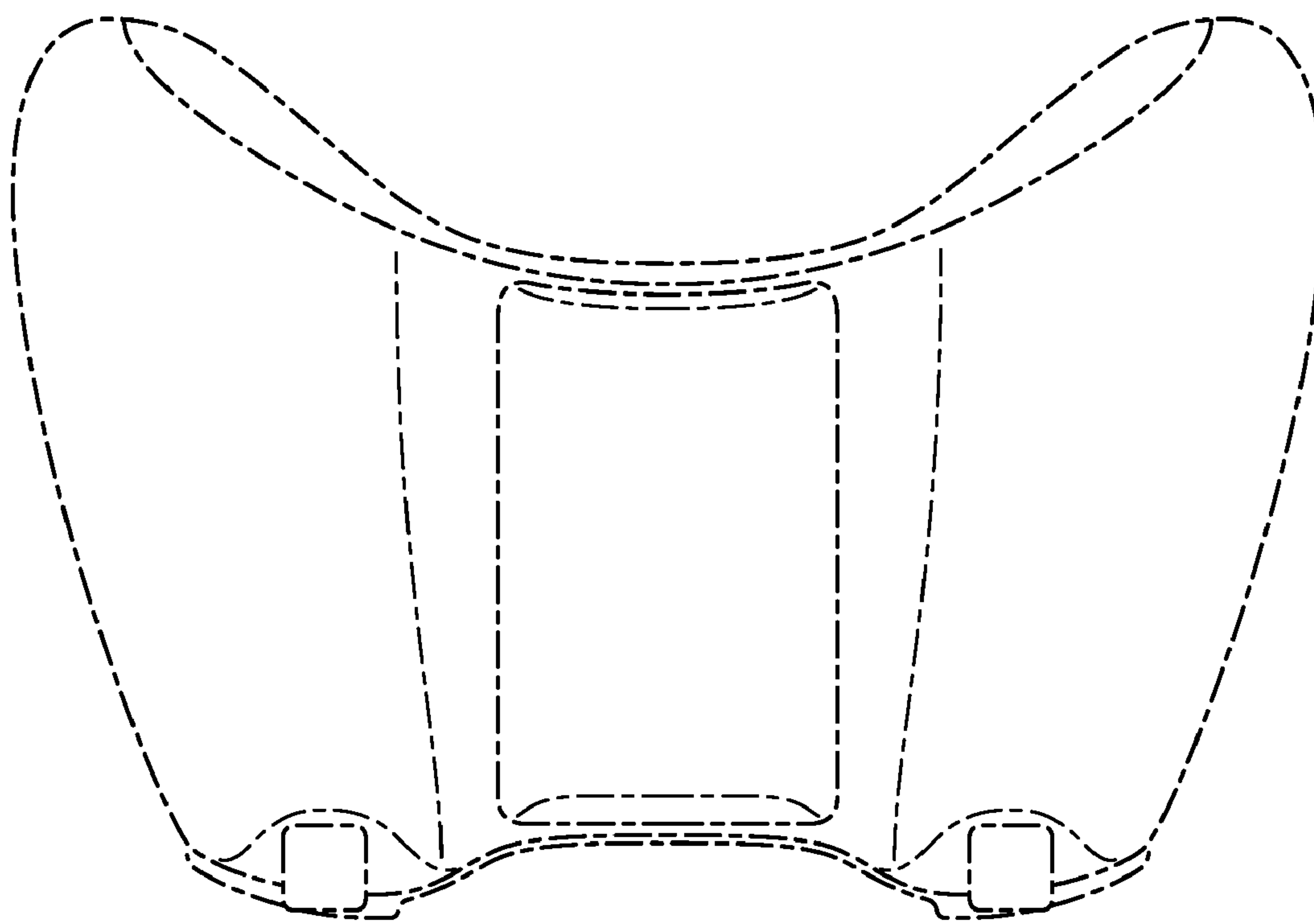


FIG. 7