



US00D581421S

(12) **United States Design Patent**
Richardson et al.

(10) **Patent No.:** **US D581,421 S**
(45) **Date of Patent:** **** Nov. 25, 2008**

(54) **PDA CASE**

(75) Inventors: **Curtis R. Richardson**, Fort Collins, CO (US); **Douglas Kempel**, Fort Collins, CO (US)

(73) Assignee: **Otter Products, LLC**, Fort Collins, CO (US)

(**) Term: **14 Years**

(21) Appl. No.: **29/246,914**

(22) Filed: **May 19, 2006**

Related U.S. Application Data

(63) Continuation-in-part of application No. 11/270,732, filed on Nov. 8, 2005, now Pat. No. 7,230,823, which is a continuation of application No. 10/645,439, filed on Aug. 20, 2003, now Pat. No. 6,995,976, which is a continuation of application No. 10/300,200, filed on Nov. 19, 2002, now Pat. No. 6,646,864.

(51) **LOC (8) Cl.** **14-02**

(52) **U.S. Cl.** **D14/440**

(58) **Field of Classification Search** D14/432, D14/250, 341-346, 138, 336, 137, 147, 218, D14/439, 191, 496, 148, 247, 248, 144, 252, D14/420, 426, 429; D21/333, 329, 517; D3/218, 215, 230, 273; 190/102; 150/154, 150/165; D18/1, 2, 7, 11; 341/22, 23, 20, 341/26; 235/145 A, 145 R, 1 D; 345/156, 345/168-173, 157, 160, 161, 184, 856, 857, 345/860; 349/12; 361/680-687, 814, 759; 455/575.8, 550.1, 575.1-575.4, 575.6, 90.3, 455/556.1, 556.2, 414.1, 417, 411, 564, 566, 455/41.2, 418, 466, 90.1, 517; 379/428.01, 379/433.01-433.13, 455, 447, 451, 112.01, 379/368, 434; 206/320, 305, 722, 312, 701, 206/472, 523, 591, 592; 348/14.02, E5.128; D9/418; 224/240, 241, 904; 312/223.2, 312/216; 400/486, 472, 489; 715/864, 780, 715/816; 248/918, 176.1, 309.1; 709/224, 709/203; 220/23.91; 70/57; D10/49; D16/135

See application file for complete search history.

(56) **References Cited**

U.S. PATENT DOCUMENTS

2,392,787 A 1/1946 Vermot

(Continued)

OTHER PUBLICATIONS

U.S. Appl. No. 29/211,554, Richardson et al.

(Continued)

Primary Examiner—Melanie Tung

Assistant Examiner—Susan Moon Lee

(74) *Attorney, Agent, or Firm*—William W. Cochran; Cochran Freund & Young LLC

(57) **CLAIM**

The ornamental design for a PDA case, as shown and described.

DESCRIPTION

FIG. 1 is an isometric view of a PDA case showing my new design.

FIG. 2 is a front view thereof.

FIG. 3 is a top view thereof.

FIG. 4 is a left side view thereof.

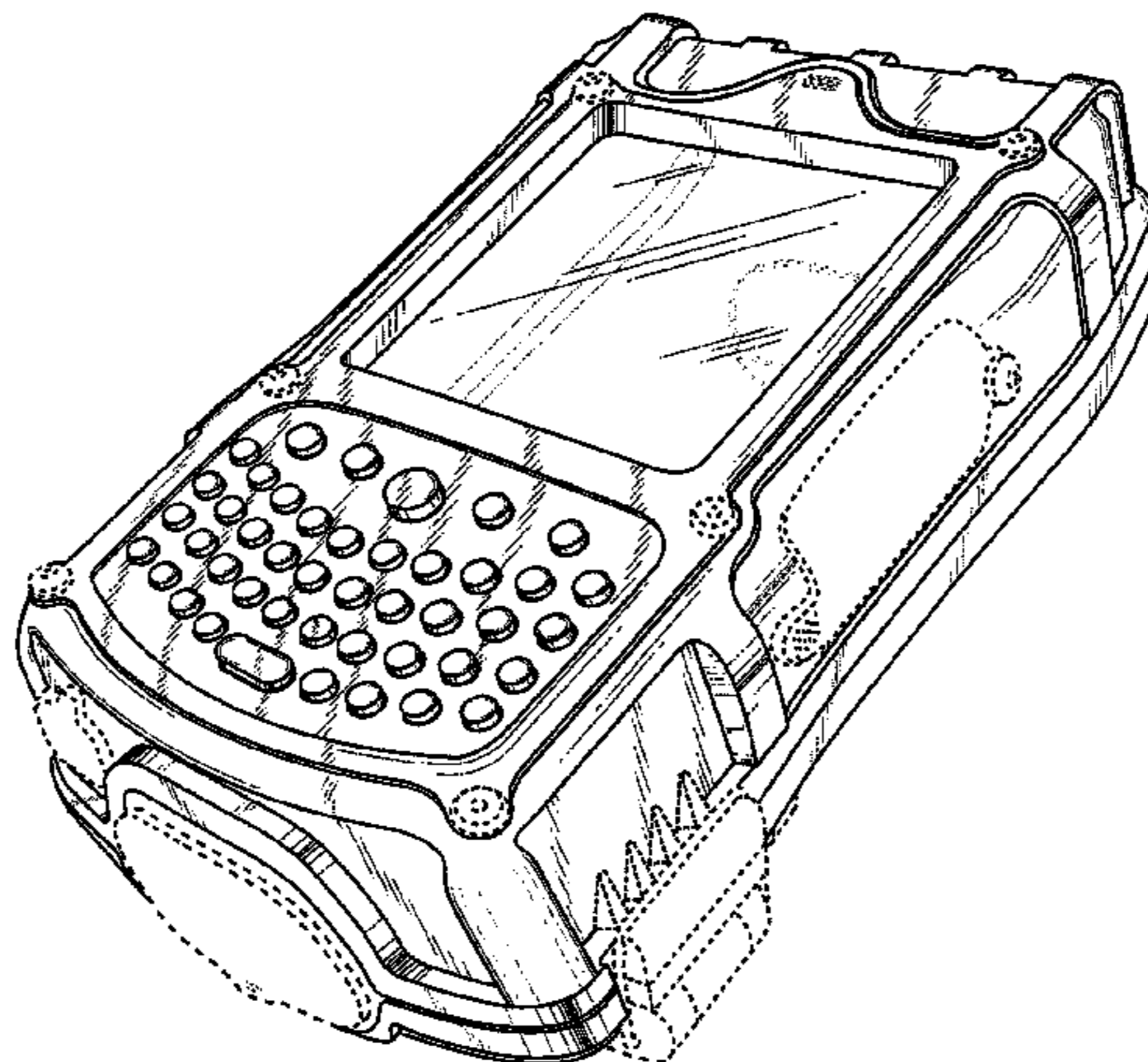
FIG. 5 is a right side view thereof.

FIG. 6 is a bottom view thereof; and,

FIG. 7 is a rear view thereof.

The broken line portions of the disclosure are for illustrative purposes only and form no part of the claimed design.

1 Claim, 7 Drawing Sheets



US D581,421 S

Page 2

U.S. PATENT DOCUMENTS

D216,853 S 3/1970 Schurman
 D220,233 S 3/1971 Schurman
 3,590,988 A 7/1971 Hollar
 D275,822 S 10/1984 Gatland et al.
 D283,137 S * 3/1986 Hamar D18/2
 D283,138 S * 3/1986 Hamar D18/11
 4,703,161 A 10/1987 McLean
 D294,827 S * 3/1988 Woodfork D14/250
 4,762,227 A 8/1988 Patterson
 5,092,459 A 3/1992 Uijanic et al.
 D327,646 S 7/1992 Hardigg et al.
 D329,747 S 9/1992 Embree
 D330,329 S 10/1992 Brightbill
 5,175,873 A 12/1992 Goldenburg et al.
 D335,220 S 5/1993 Ward et al.
 D342,609 S 12/1993 Brightbill
 D347,324 S 5/1994 Dickenson
 D347,732 S 6/1994 Wentz
 5,360,108 A * 11/1994 Alagia 206/320
 5,368,159 A * 11/1994 Doria 206/320
 D353,048 S 12/1994 VanSkiver et al.
 D359,920 S * 7/1995 Sakamoto D10/65
 D379,265 S * 5/1997 Wathen et al. D3/269
 D381,512 S 7/1997 Green
 D386,611 S 11/1997 Sheu
 5,805,416 A * 9/1998 Friend et al. 361/686
 D402,105 S 12/1998 Erickson
 D409,374 S 5/1999 Laba et al.
 D412,062 S 7/1999 Potter et al.
 D413,202 S 8/1999 Schmitt et al.
 D413,203 S 8/1999 Zurwelle et al.
 5,996,956 A * 12/1999 Shawver 248/309.1
 D419,297 S 1/2000 Richardson et al.
 D419,767 S 2/2000 Richardson et al.
 D419,768 S 2/2000 Richardson et al.
 6,031,524 A 2/2000 Kunert
 6,041,924 A 3/2000 Tajima
 6,049,813 A 4/2000 Danielson et al.
 D423,772 S 5/2000 Cooper et al.
 6,068,119 A 5/2000 Derr et al.
 D429,884 S 8/2000 Zurwelle et al.
 6,094,785 A 8/2000 Montgomery et al.
 D432,586 S * 10/2000 Galli-Zugaro et al. D21/333
 D433,798 S 11/2000 Weinstock
 D435,871 S * 1/2001 Yu D21/333
 D439,407 S 3/2001 Parker
 6,215,474 B1 4/2001 Shah
 D441,954 S 5/2001 Parker
 6,239,968 B1 5/2001 Kim et al.
 D443,133 S 6/2001 Richardson et al.
 6,273,252 B1 8/2001 Mitchell
 6,301,100 B1 10/2001 Iwata
 6,313,892 B2 11/2001 Gleckman
 6,317,313 B1 11/2001 Mosgrove et al.
 D454,349 S * 3/2002 Makidera et al. D14/343
 D457,527 S * 5/2002 Manuel et al. D14/447
 6,388,877 B1 5/2002 Canova, Jr. et al.
 6,396,769 B1 5/2002 Polany

D460,445 S * 7/2002 Nguyen et al. D14/250
 6,415,138 B2 7/2002 Sirola et al.
 6,445,577 B1 9/2002 Madsen et al.
 6,456,487 B1 9/2002 Hetterick et al.
 D464,196 S 10/2002 Parker
 6,471,056 B1 10/2002 Tzeng
 D465,330 S 11/2002 Parker
 D469,761 S * 2/2003 Nussberger D14/341
 D470,536 S * 2/2003 Soga D21/333
 D470,659 S 2/2003 Story et al.
 D470,842 S * 2/2003 Bhatia et al. D14/346
 6,519,141 B2 2/2003 Tseng et al.
 6,525,928 B1 2/2003 Madsen et al.
 6,536,589 B2 3/2003 Chang
 D472,384 S 4/2003 Richardson
 6,614,722 B2 9/2003 Polany et al.
 6,616,111 B1 * 9/2003 White 248/309.1
 6,646,864 B2 11/2003 Richardson et al.
 6,659,274 B2 12/2003 Enners
 6,665,174 B1 12/2003 Derr et al.
 6,719,381 B2 * 4/2004 Cleereman et al. 312/223.2
 D490,422 S * 5/2004 Iwama et al. D14/346
 6,785,566 B1 * 8/2004 Irizarry 455/575.8
 D496,366 S * 9/2004 Croley et al. D14/429
 D497,160 S * 10/2004 Nagao et al. D14/346
 D503,170 S * 3/2005 Leviel et al. D14/341
 6,963,756 B2 * 11/2005 Lubowicki et al. 455/550.1
 D513,123 S 12/2005 Richardson et al.
 D513,451 S 1/2006 Richardson et al.
 6,983,130 B2 * 1/2006 Chien et al. 455/90.3
 D514,808 S 2/2006 Morine et al.
 6,995,976 B2 2/2006 Richardson
 D516,309 S 3/2006 Richardson et al.
 D516,553 S 3/2006 Richardson
 D516,554 S 3/2006 Richardson et al.
 D516,807 S 3/2006 Richardson et al.
 7,069,063 B2 * 6/2006 Halkosaari et al. 455/575.8
 D526,780 S 8/2006 Richardson et al.
 D530,079 S 10/2006 Thomas et al.
 2002/0101707 A1 8/2002 Canova et al.
 2002/0126440 A1 * 9/2002 Webb et al. 361/680
 2003/0039094 A1 * 2/2003 Sarkinen et al. 361/681
 2003/0095374 A1 * 5/2003 Richardson 361/681
 2004/0089570 A1 * 5/2004 Chien et al. 206/320
 2004/0120219 A1 6/2004 Polany et al.
 2005/0174727 A1 8/2005 Richardson

OTHER PUBLICATIONS

U.S. Appl. No. 11/270,732, Richardson et al.
 U.S. Appl. No. 10/937,048, Richardson et al.
 U.S. Appl. No. 11/077,963, Richardson et al.
 U.S. Appl. No. 29/246,913, Richardson et al.
 U.S. Appl. No. 60/805,833, Richardson et al.
 U.S. Appl. No. 60/807,726, Richardson et al.
 U.S. Appl. No. 11/466,342, Richardson et al.
 U.S. Appl. No. 11/456,157, Richardson et al.
 U.S. Appl. No. 29/246,912, Richardson et al.

* cited by examiner

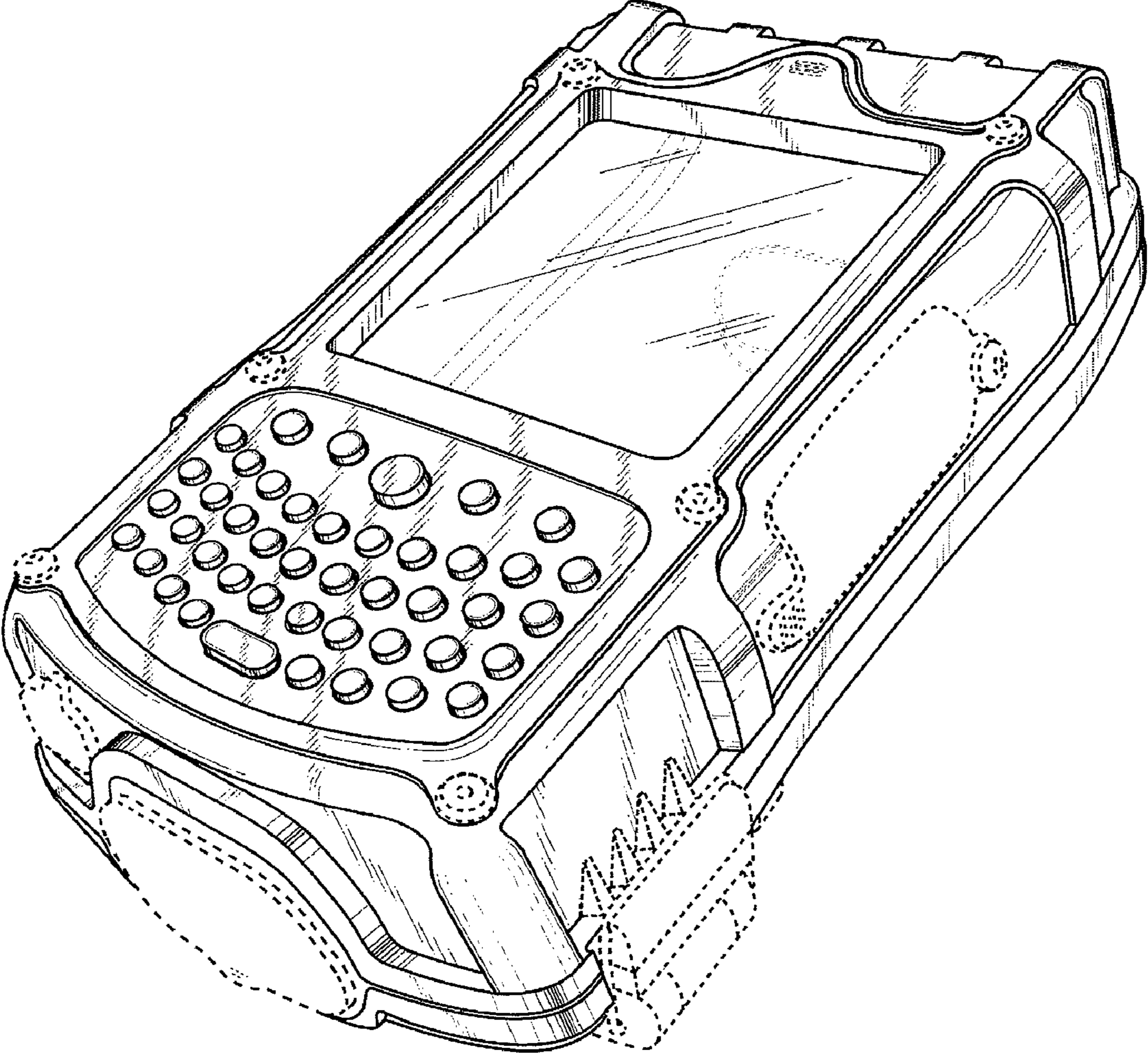


FIG. 1

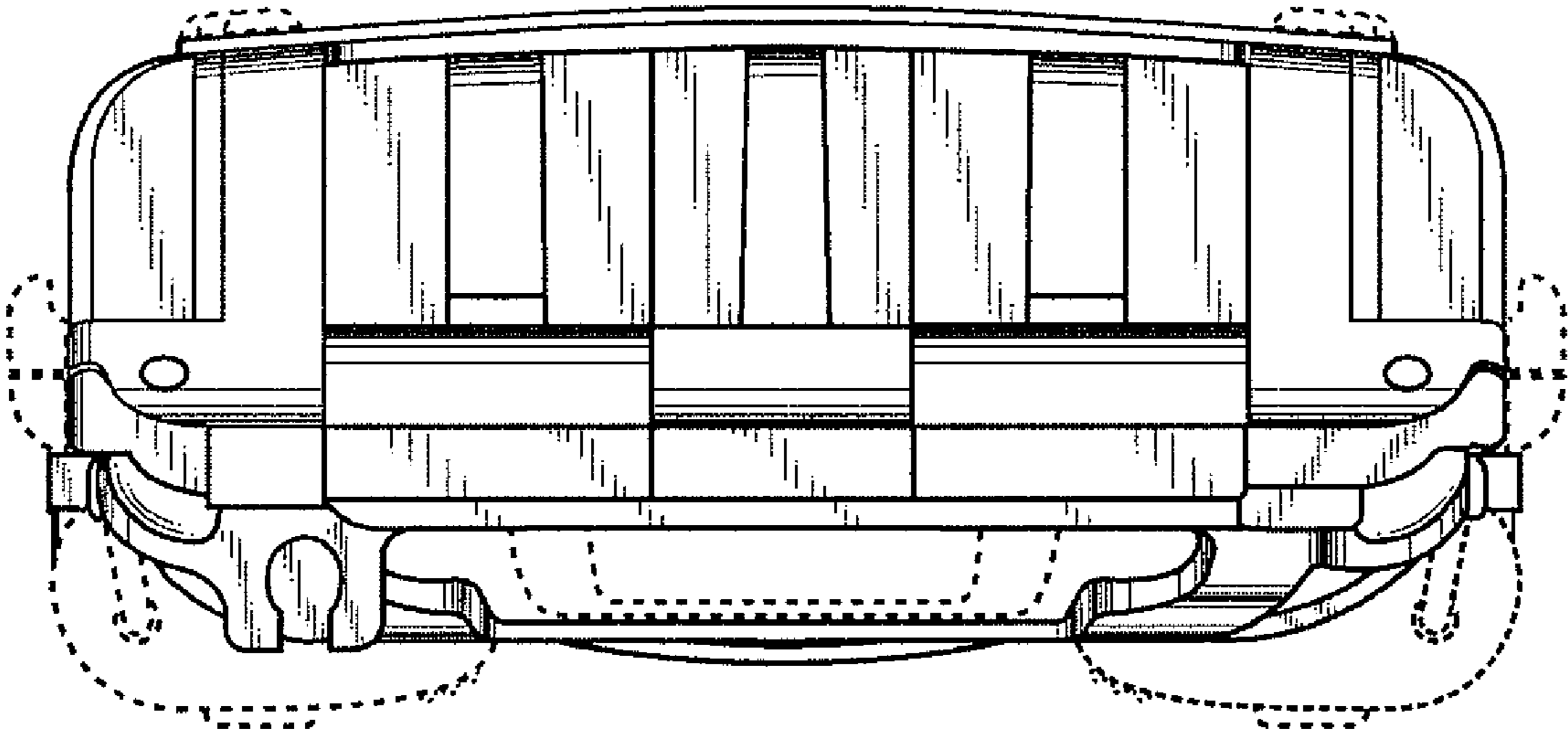


FIG. 2

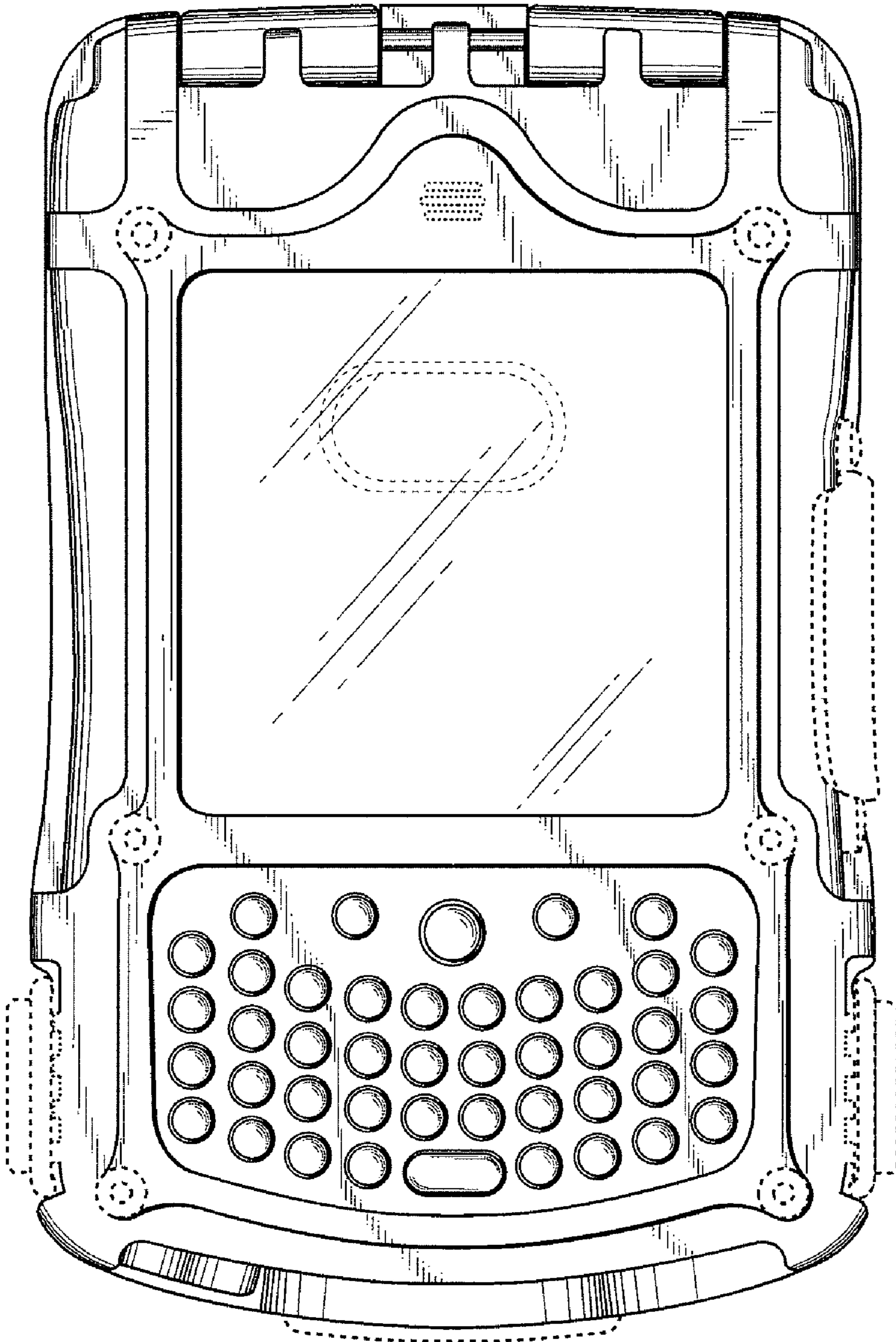


FIG. 3

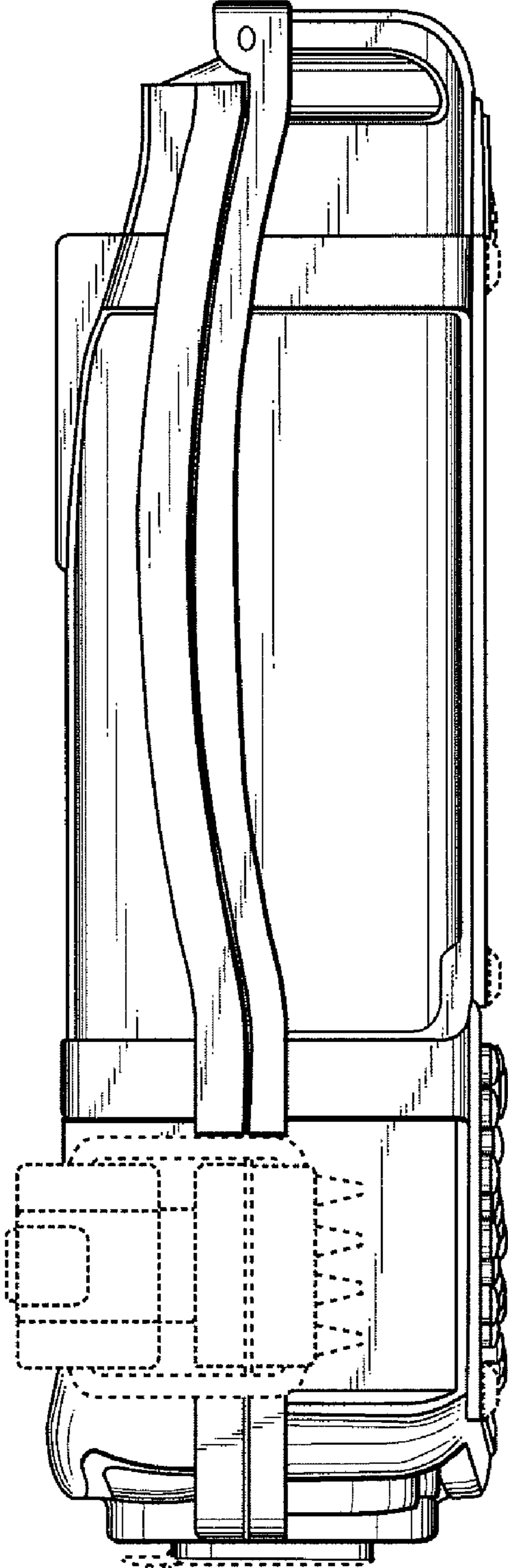


FIG. 4

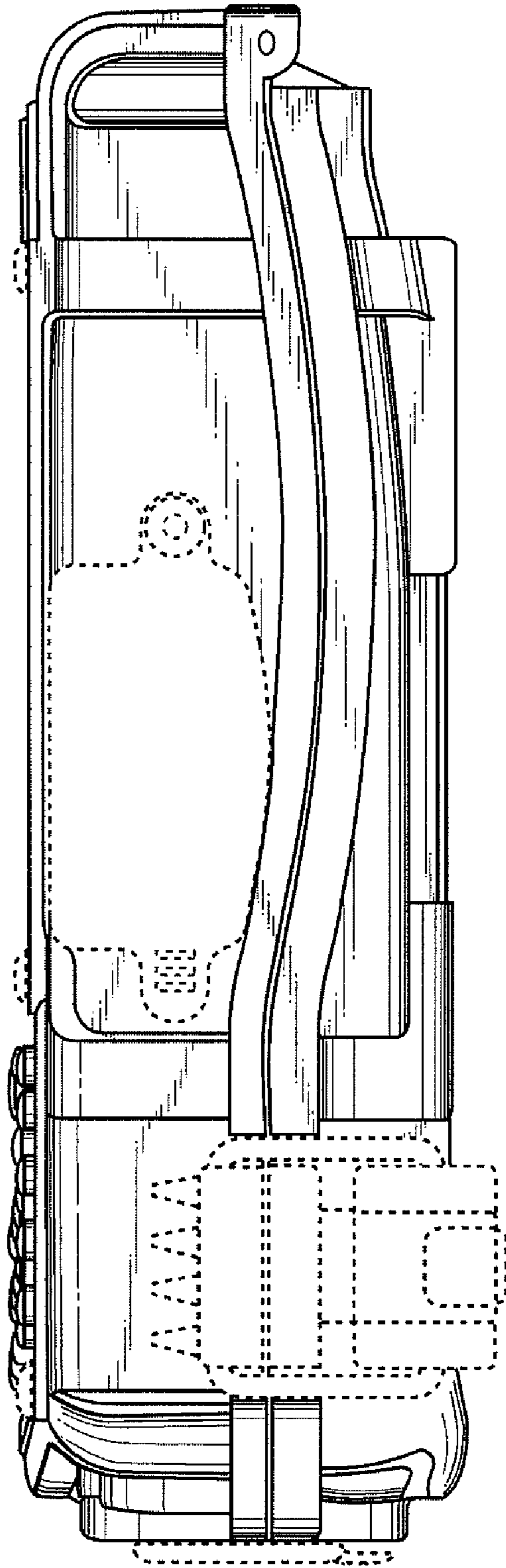


FIG. 5

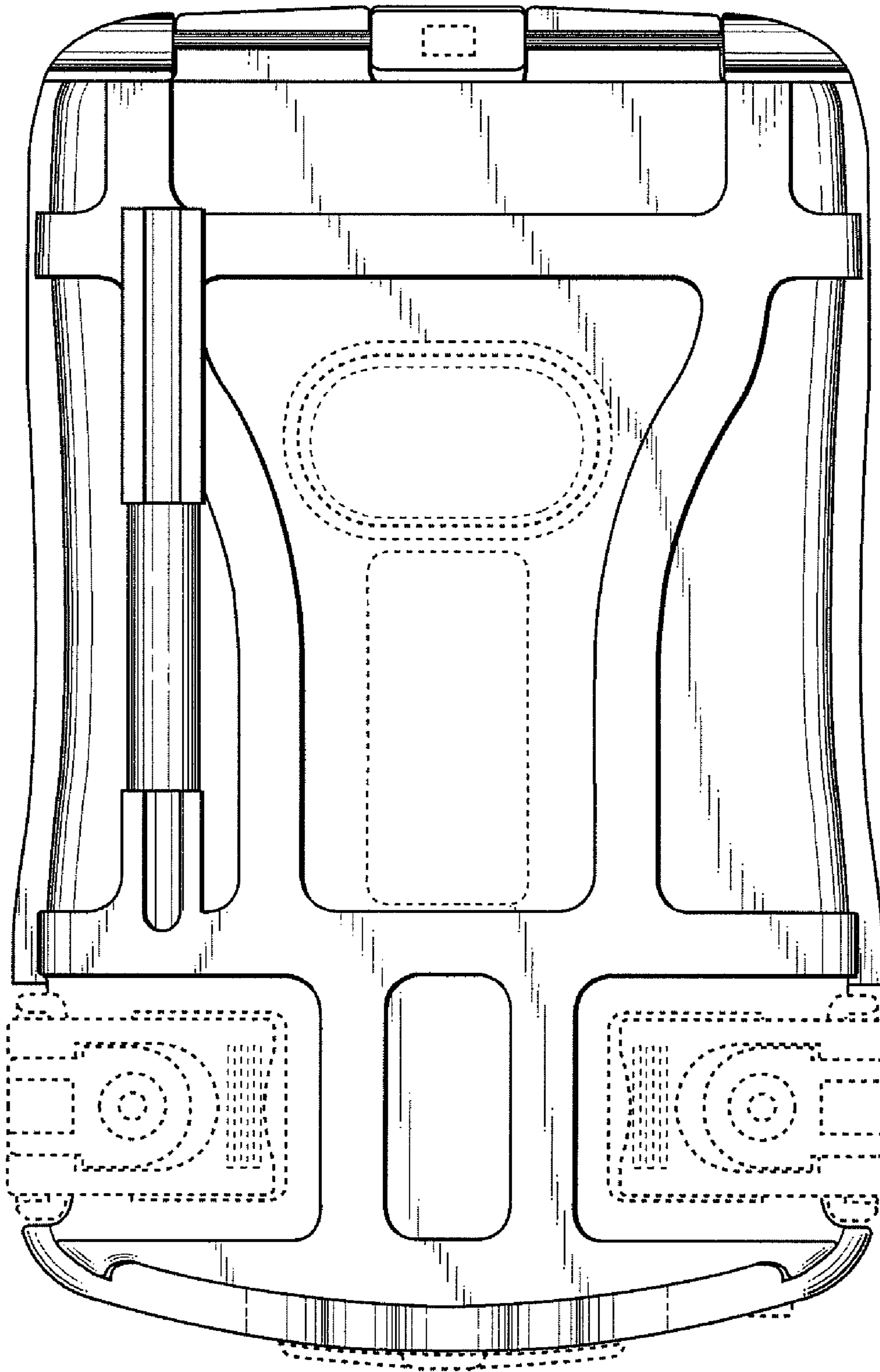


FIG. 6

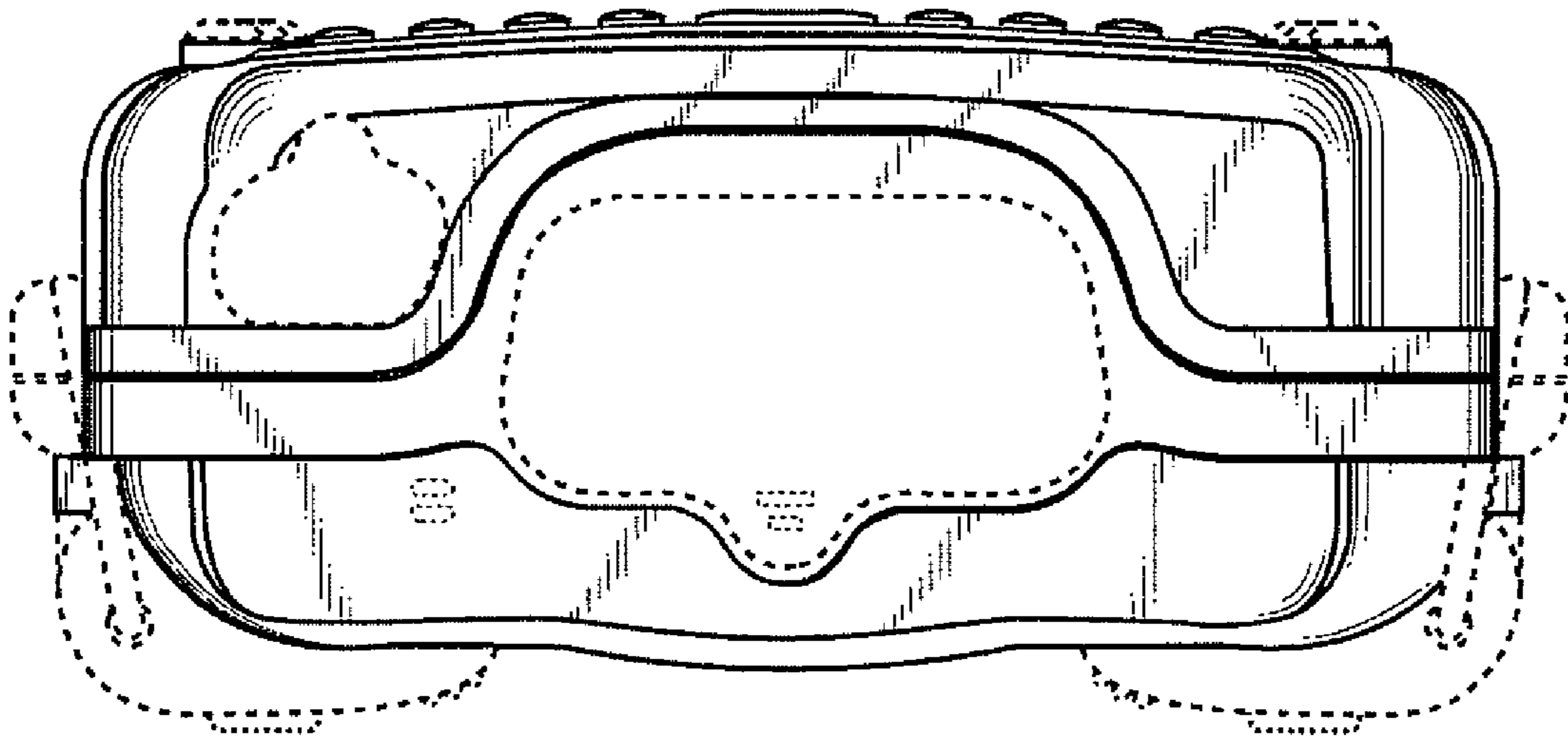


FIG. 7