



US00D581420S

(12) **United States Design Patent**
Hsu

(10) **Patent No.:** **US D581,420 S**
(45) **Date of Patent:** **** Nov. 25, 2008**

(54) **WIRELESS CARD**

(75) Inventor: **Gary Hsu**, Linkou Township, Taipei County (TW)

(73) Assignee: **Bandrich Inc.**, Sindian, Taipei County (TW)

(**) Term: **14 Years**

(21) Appl. No.: **29/276,635**

(22) Filed: **Jan. 31, 2007**

(51) **LOC (8) Cl.** **14-03**

(52) **U.S. Cl.** **D14/436**

(58) **Field of Classification Search** D14/242,
D14/496, 240, 167, 302, 314, 348-358, 363,
D14/383, 433; D13/149, 184; D3/201, 273;
379/220.01, 221.09, 220.14, 25, 93.09, 93.19,
379/156, 900, 338-339, 441; 711/100, 115;
361/658, 725, 752; 369/272.1, 273, 75.11;
360/133, 79.01, 97.03

See application file for complete search history.

(56) **References Cited**

U.S. PATENT DOCUMENTS

D354,280 S *	1/1995	Fenton	D14/242
D355,173 S *	2/1995	Fenton et al.	D14/242
D355,412 S *	2/1995	Rak et al.	D14/242
D371,770 S *	7/1996	Larson et al.	D14/242
D452,494 S *	12/2001	Sodling	D14/242
D475,701 S *	6/2003	Kasuya et al.	D14/242
D484,872 S *	1/2004	Wang	D14/242

D486,482 S *	2/2004	Huang	D14/242
D489,714 S *	5/2004	Yin et al.	D14/242
D491,191 S *	6/2004	Wen et al.	D14/496
D498,759 S *	11/2004	Lewis et al.	D14/436
D514,108 S *	1/2006	Bahar et al.	D14/433
D560,911 S *	2/2008	Hackbart et al.	D3/273
D573,997 S *	7/2008	Kim et al.	D14/436

* cited by examiner

Primary Examiner—Charles A. Rademaker

Assistant Examiner—Charles D Hanson

(74) *Attorney, Agent, or Firm*—Thomas, Kayden, Horstemeyer & Risley

(57) **CLAIM**

The ornamental design for a wireless card, as shown and described.

DESCRIPTION

FIG. 1 is a perspective view of a wireless card showing our new design;

FIG. 2 is a front view thereof;

FIG. 3 is a rear view thereof;

FIG. 4 is a left right side view thereof;

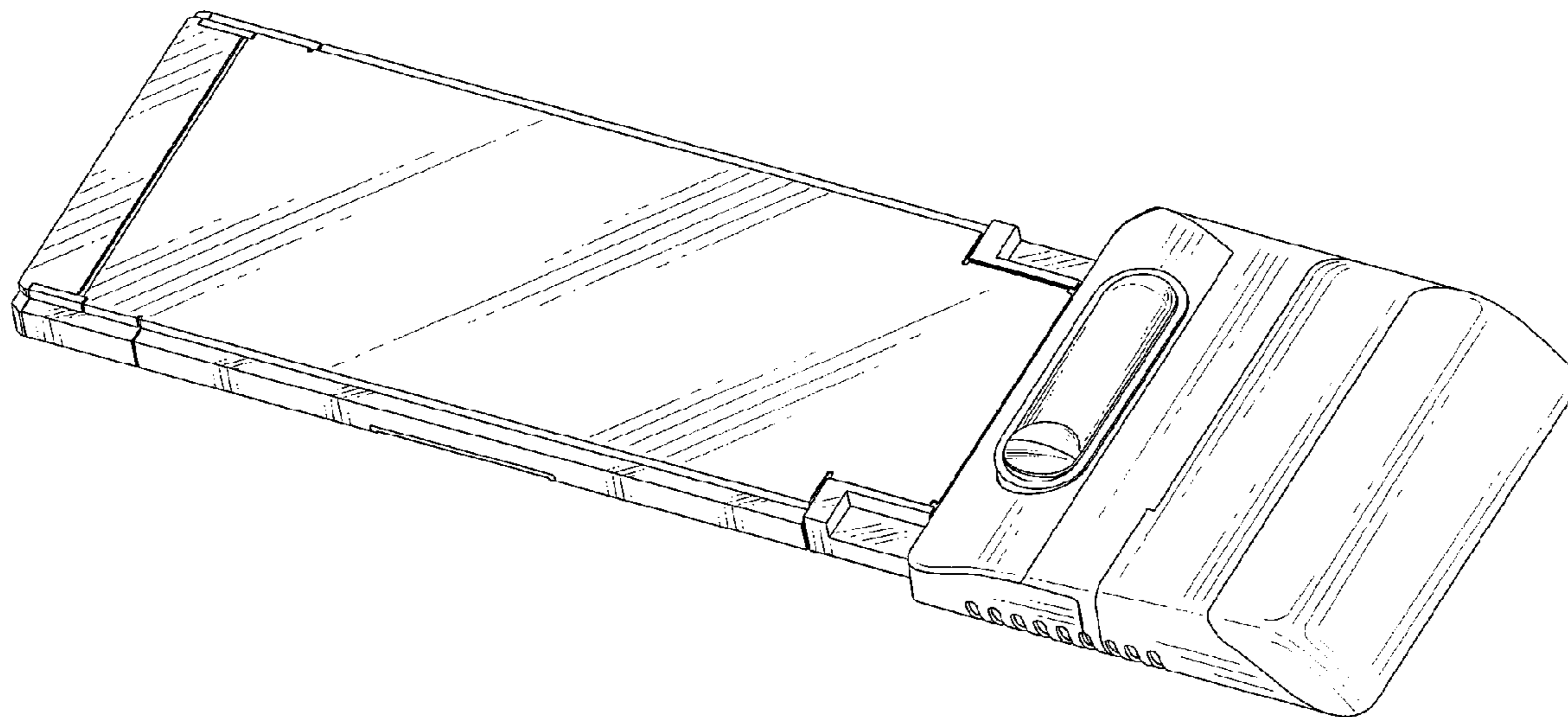
FIG. 5 is a right left side view thereof;

FIG. 6 is a top view thereof;

FIG. 7 is a bottom view thereof; and,

FIG. 8 is a perspective view showing the wireless card of our design in use.

1 Claim, 6 Drawing Sheets



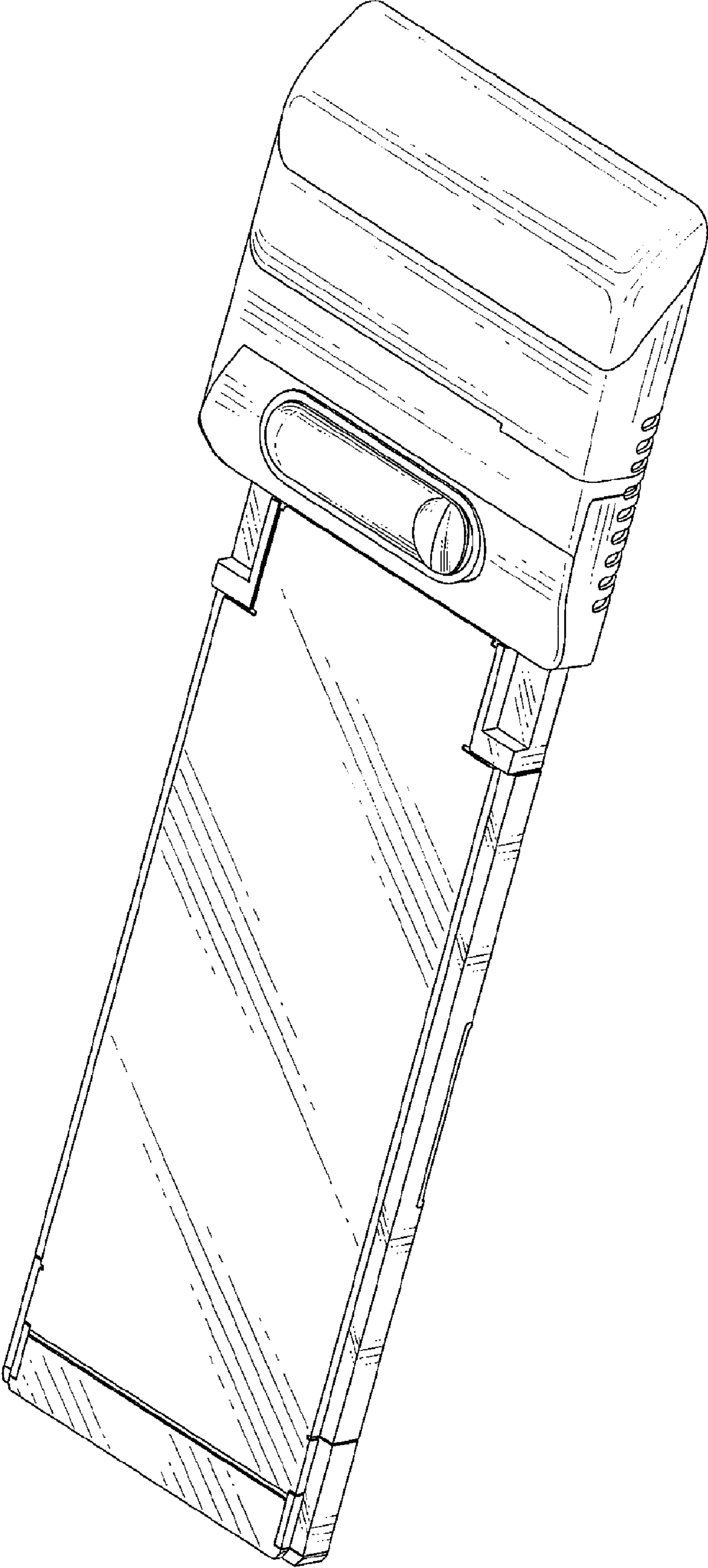


Fig. 1

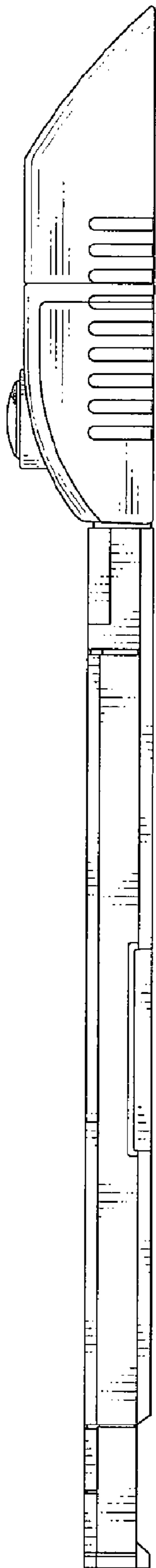


Fig. 2

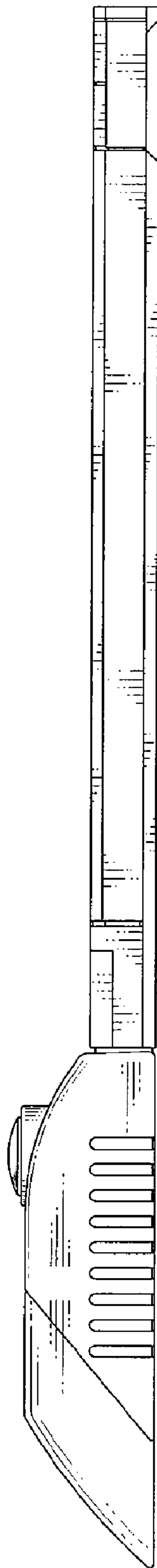


Fig. 3

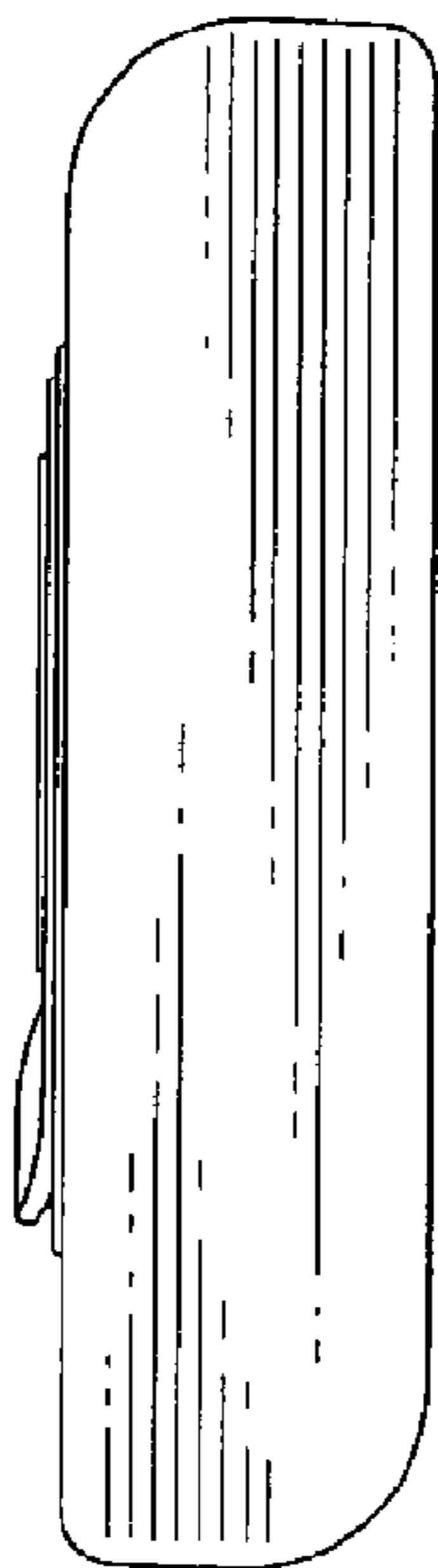


Fig. 5

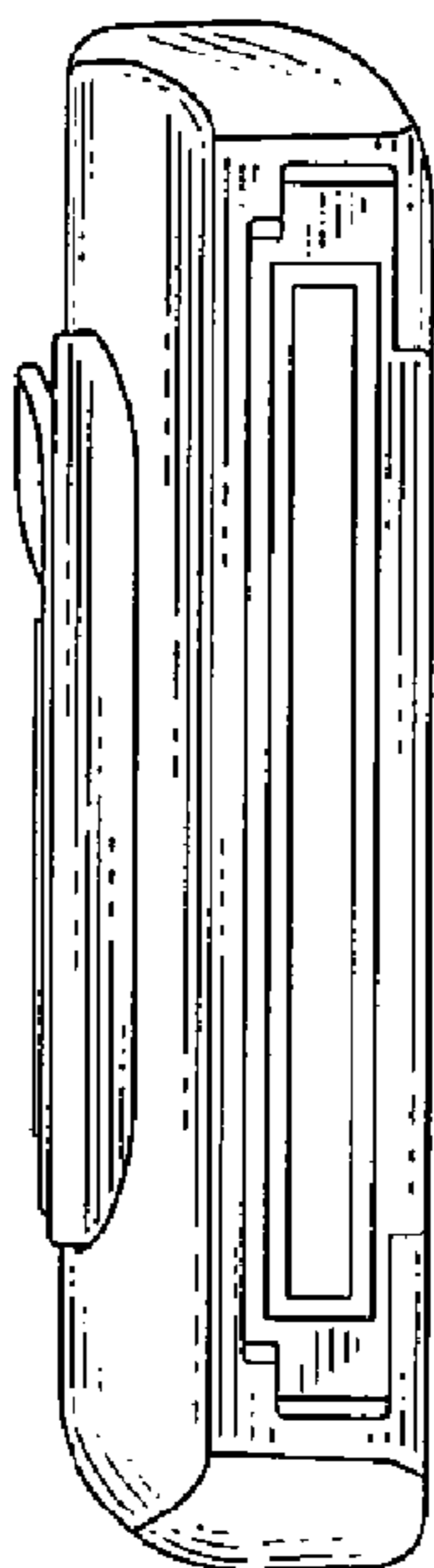


Fig. 4

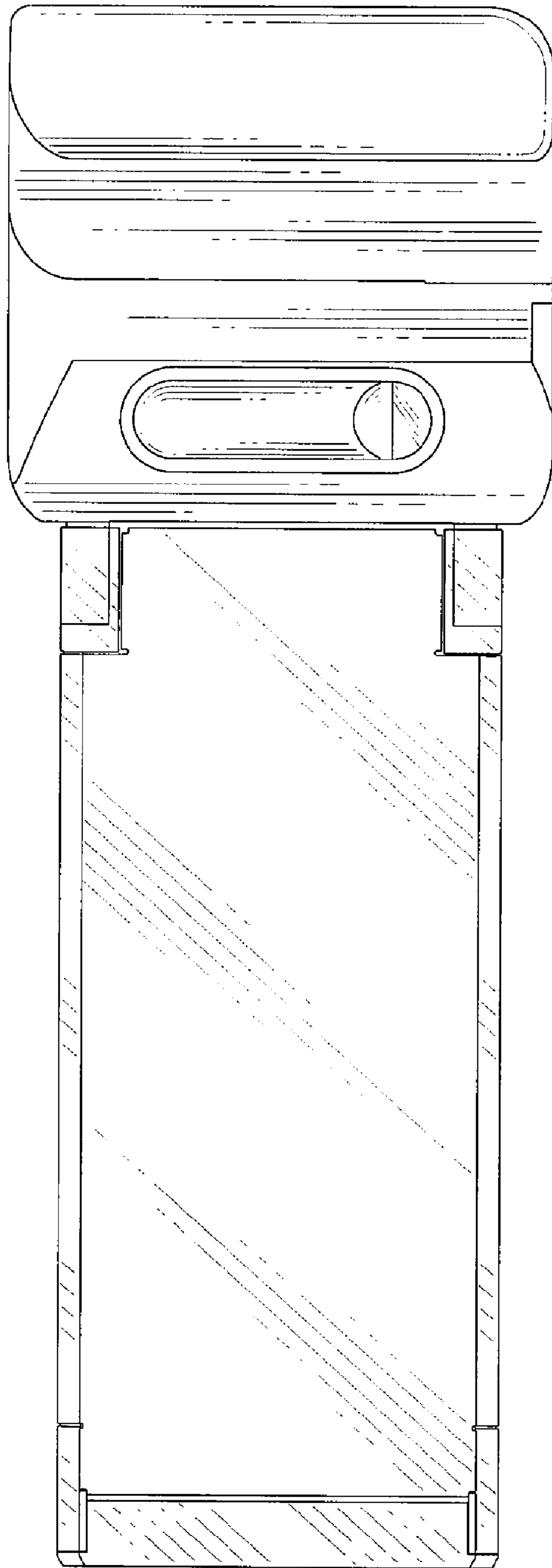


Fig. 6

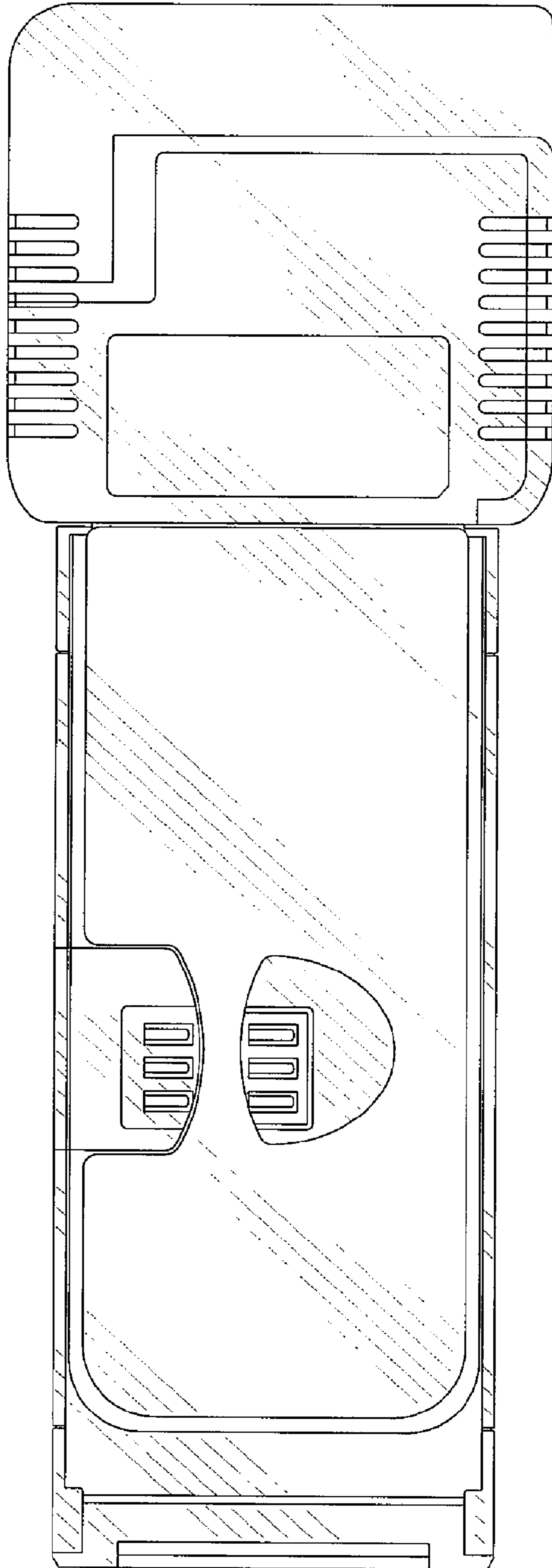


Fig. 7

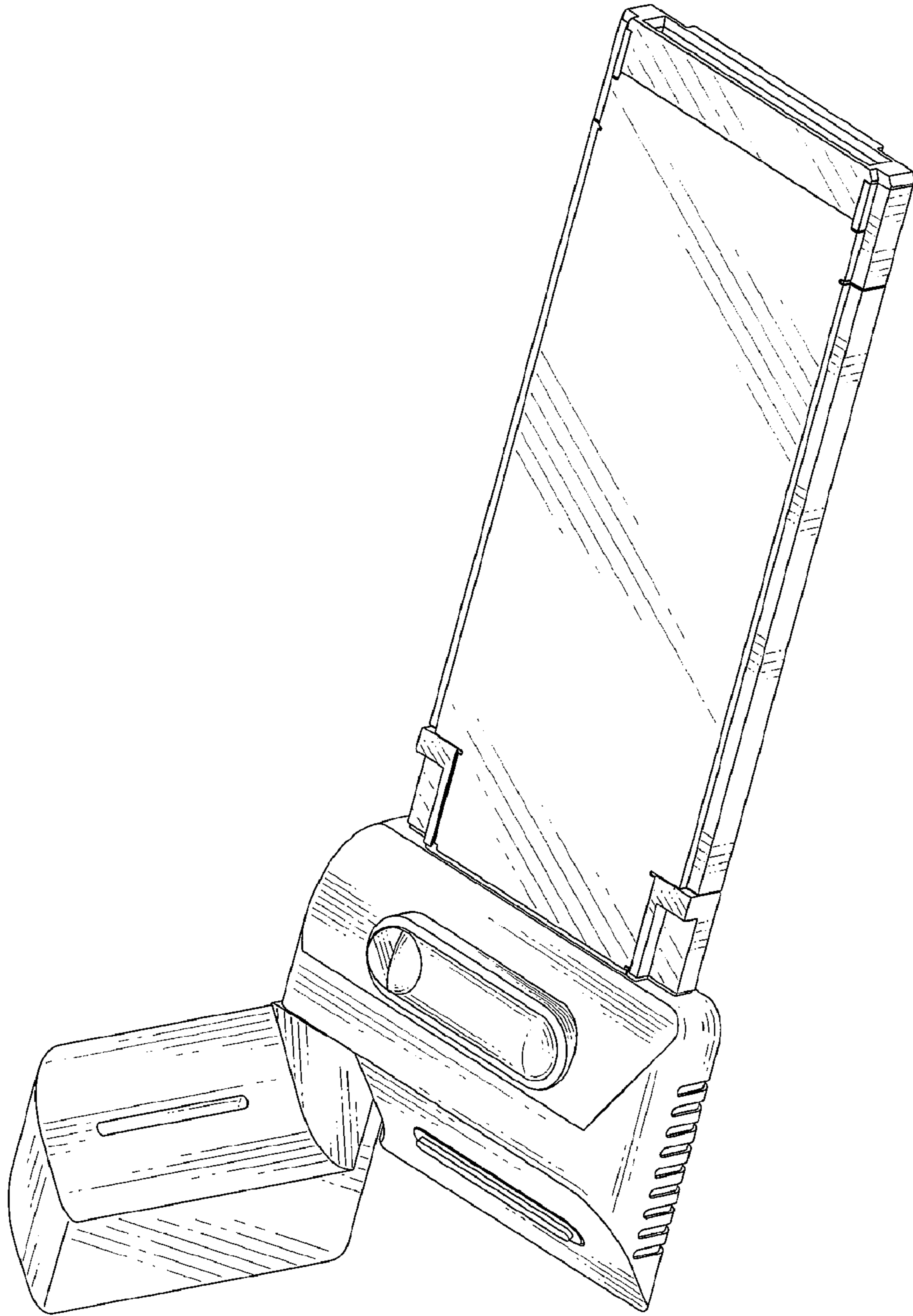


Fig. 8