



US00D581416S

(12) **United States Design Patent**
Simonian et al.

(10) **Patent No.:** **US D581,416 S**
(45) **Date of Patent:** **** Nov. 25, 2008**

(54) **COMPUTER MOUSE**

(75) Inventors: **Mike Simonian**, San Francisco, CA (US); **Maaike Evers**, San Francisco, CA (US); **Barry Sween**, Santa Monica, CA (US)

(73) Assignee: **Belkin International, Inc.**, Compton, CA (US)

(**) Term: **14 Years**

(21) Appl. No.: **29/291,927**

(22) Filed: **Sep. 18, 2007**

(51) **LOC (8) Cl.** **14-02**

(52) **U.S. Cl.** **D14/402**; D14/408

(58) **Field of Classification Search** D14/401-410, D14/417; 235/472.01; 345/156-157; 365/49; 200/5 A, 5 R, 6 A, 6 R; 273/148 B
See application file for complete search history.

(56) **References Cited**

U.S. PATENT DOCUMENTS

D424,550 S * 5/2000 Su D14/410
D488,157 S * 4/2004 Fisher D14/408
D491,946 S * 6/2004 Slocombe et al. D14/402
D503,715 S * 4/2005 Sheehan et al. D14/402

(Continued)

FOREIGN PATENT DOCUMENTS

WO WO 2007/015164 A3 8/2007

OTHER PUBLICATIONS

ThomasNet® Industrial Newsroom®; Wireless Mouse Features Washable Design; <http://news.thomasnet.com/fullstory/504896/264>; May 5, 2007; 5 pages.
Unotron; M30 SteriMax Washable 3 Button Optical Mouse; <http://www.unotron.com/US/m30.htm>; May 7, 2007; 2 pages.
Seal Shield™; Medical Grade Washable Scroll Mouse; Jan. 2007; 2 pages.

JourneyEd; Kensington StudioMouse 3-Button Optical Scroll; <http://www.journeyed.com/itemDetail.asp?itmNo=96533836>; Sep. 18, 2007; 3 pages.

AMD Quad-Core Solutions; <http://www.thetechzone.com/?m=show&id=204>; Mar. 21, 2007; 3 pages.

Unotron; M20 ScrollSeal Washable Optical Mouse; <http://www.unotron.com/us/m20.thm>; Sep. 10, 2007; 2 pages.

Untron; Products; <http://www.unotron.com/us/products.htm>; Mar. 20, 2007; 8 pages.

Stainless Steel Mouse; The Only Nema 4X Mouse on the Market; <http://www.strongarm.com/ProductsSSMouse.htm>; Sep. 10, 2007; 2 pages.

Stainless Steel Mouse; The Only Nema 4X Mouse on the Market; <http://www.strongarm.com/ProductsSSMouseSpecs.htm>; Sep. 10, 2007; 1 page.

ThomasNet® Industrial NewsRoom®; Waterproof Mouse in constructed of 304 stainless steel; <http://news.thomasnet.com/fullstory/525869>; Sep. 10, 2007; 5 pages.

Primary Examiner—Pamela J Burgess

(74) *Attorney, Agent, or Firm*—Bryan Cave LLP

(57) **CLAIM**

We claim the ornamental design for a computer mouse, as shown and described.

DESCRIPTION

FIG. 1 is a front, top, right isometric view of the computer mouse;

FIG. 2 is a back, top, left isometric view thereof;

FIG. 3 is a top view thereof;

FIG. 4 is a bottom view thereof;

FIG. 5 is a front view thereof;

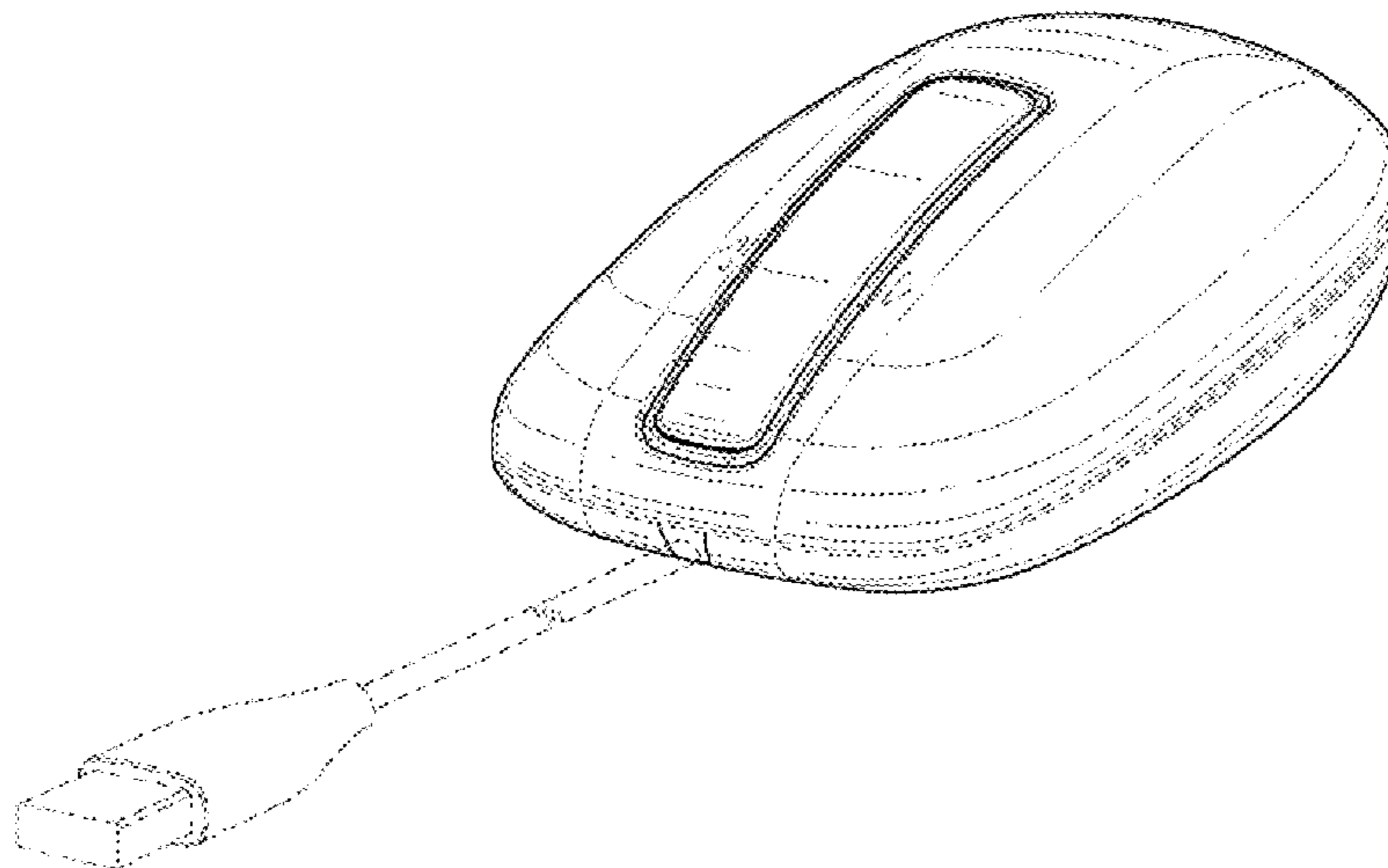
FIG. 6 is a back view thereof;

FIG. 7 is a left view thereof; and,

FIG. 8 is a right thereof.

The broken lines in the drawings are for illustrative purposes only and form no part of the claimed design.

1 Claim, 3 Drawing Sheets



US D581,416 S

Page 2

U.S. PATENT DOCUMENTS

D504,133 S *	4/2005	Canavan et al.	D14/402	D528,118 S *	9/2006	Canavan et al.	D14/407
D514,106 S *	1/2006	Pan	D14/408	D539,800 S *	4/2007	Chatterjee et al.	D14/402
D519,507 S *	4/2006	Sheehan et al.	D14/402	7,227,532 B2 *	6/2007	Bohn et al.	345/163
D521,515 S *	5/2006	Huang	D14/402	D570,842 S *	6/2008	Chatterjee et al.	D14/402
D523,013 S *	6/2006	Twohig et al.	D14/408	2003/0098852 A1	5/2003	Huang et al.	

* cited by examiner

FIG. 1

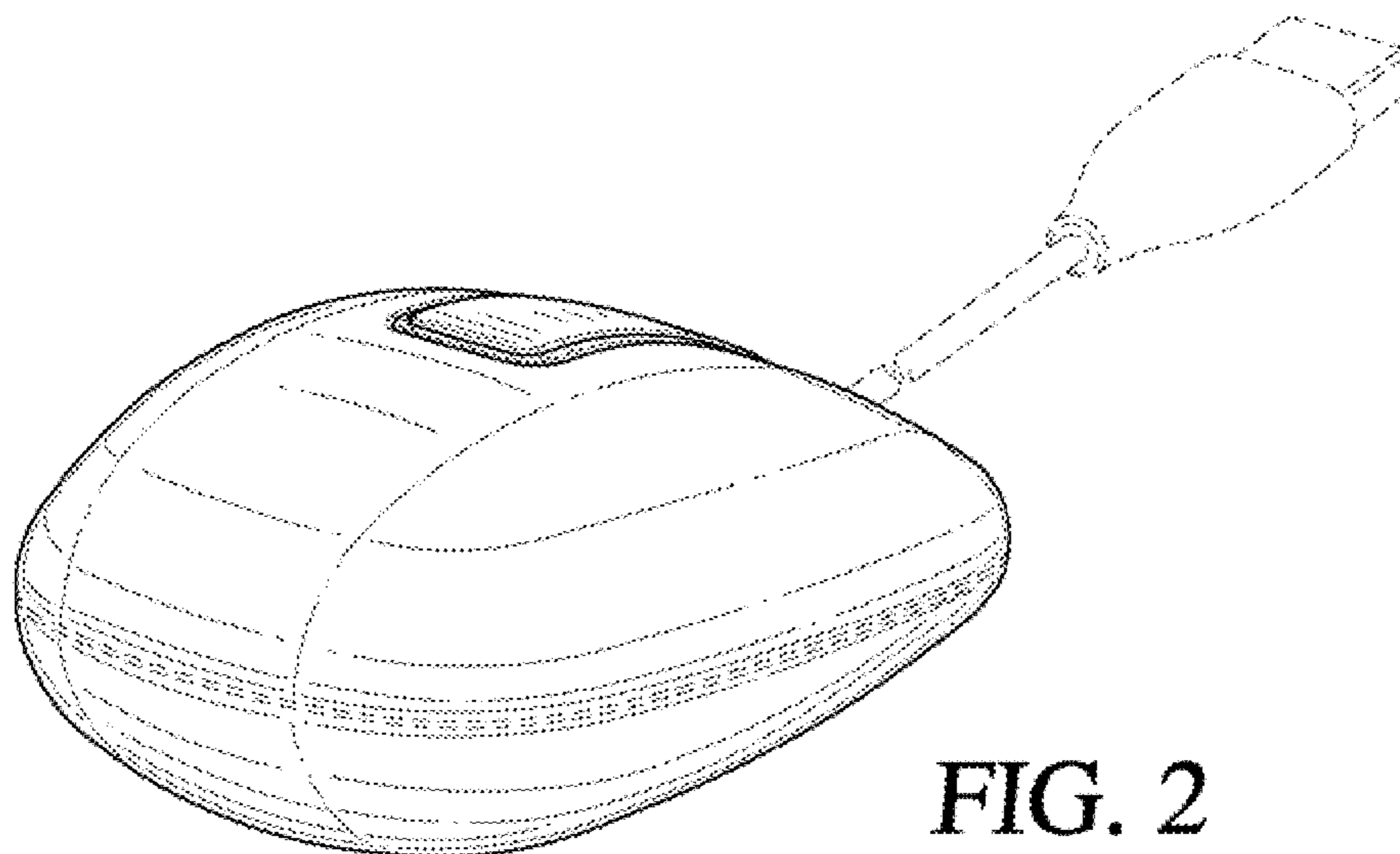
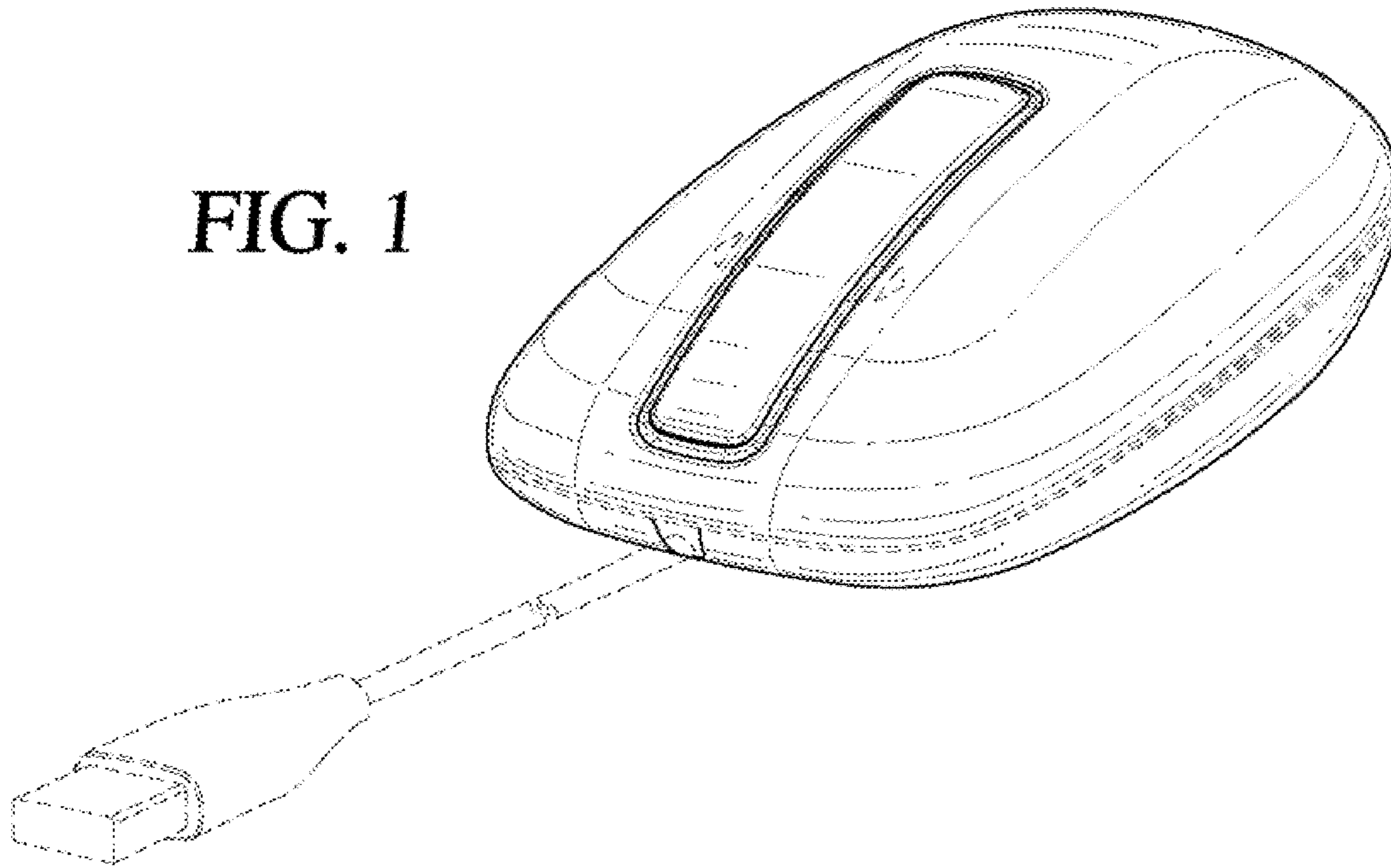


FIG. 2

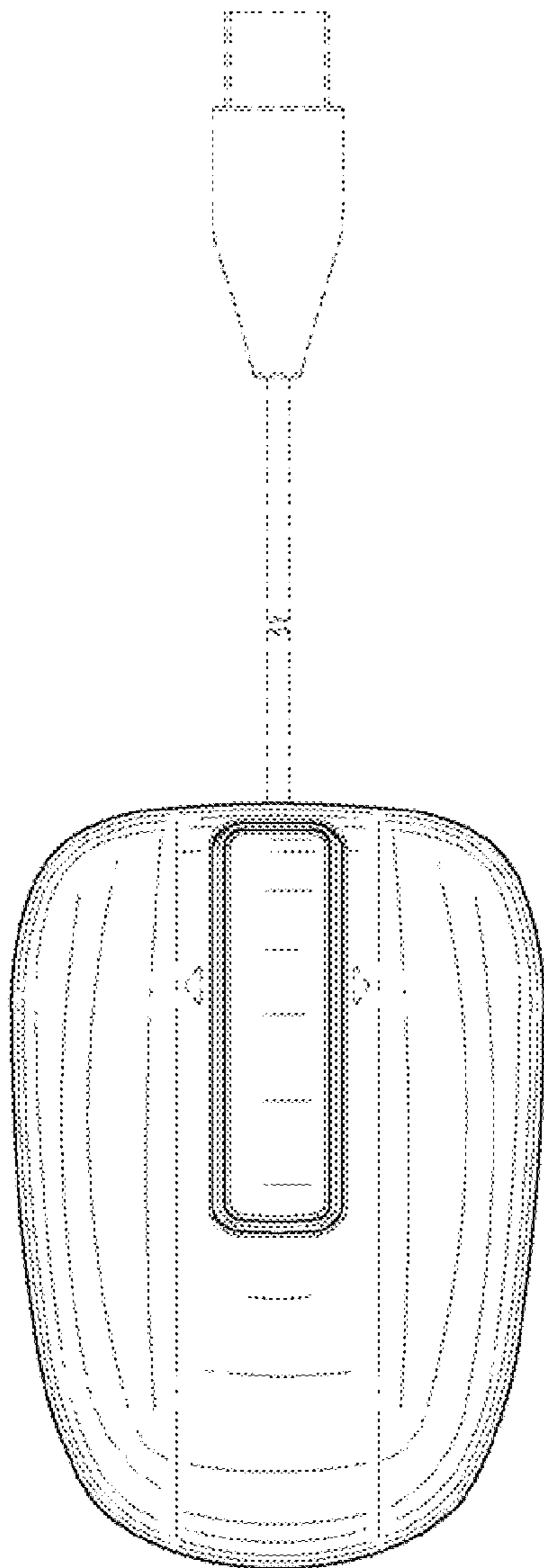


FIG. 3

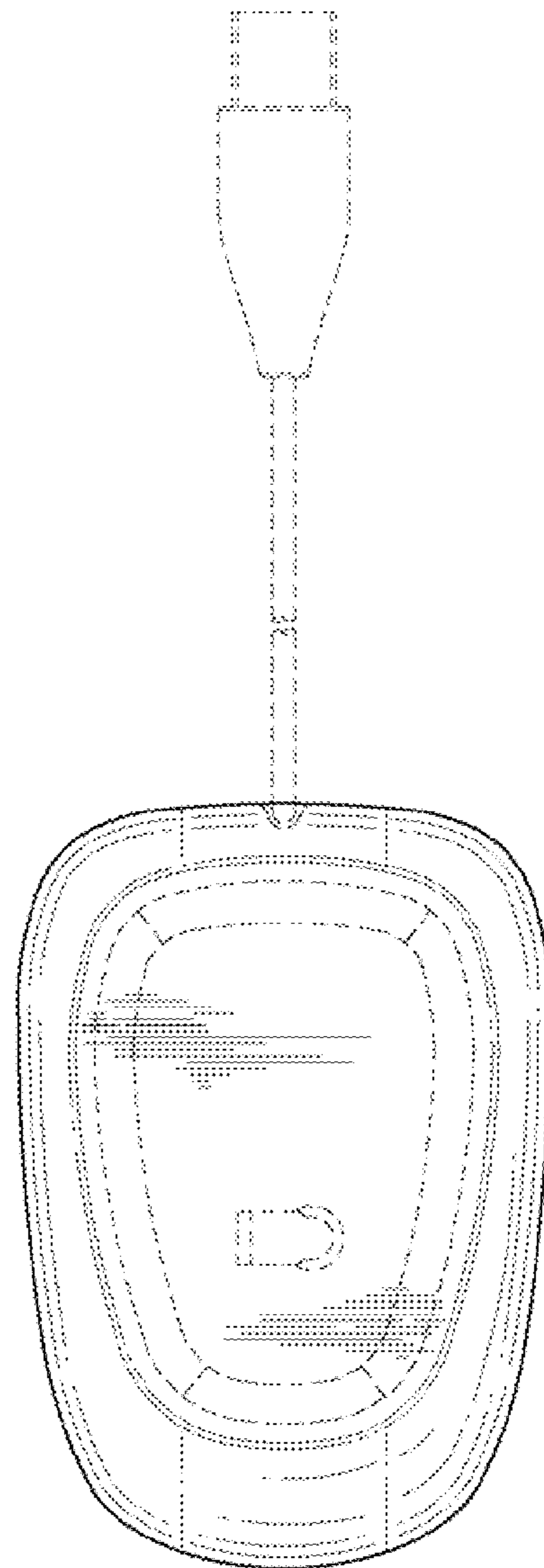


FIG. 4

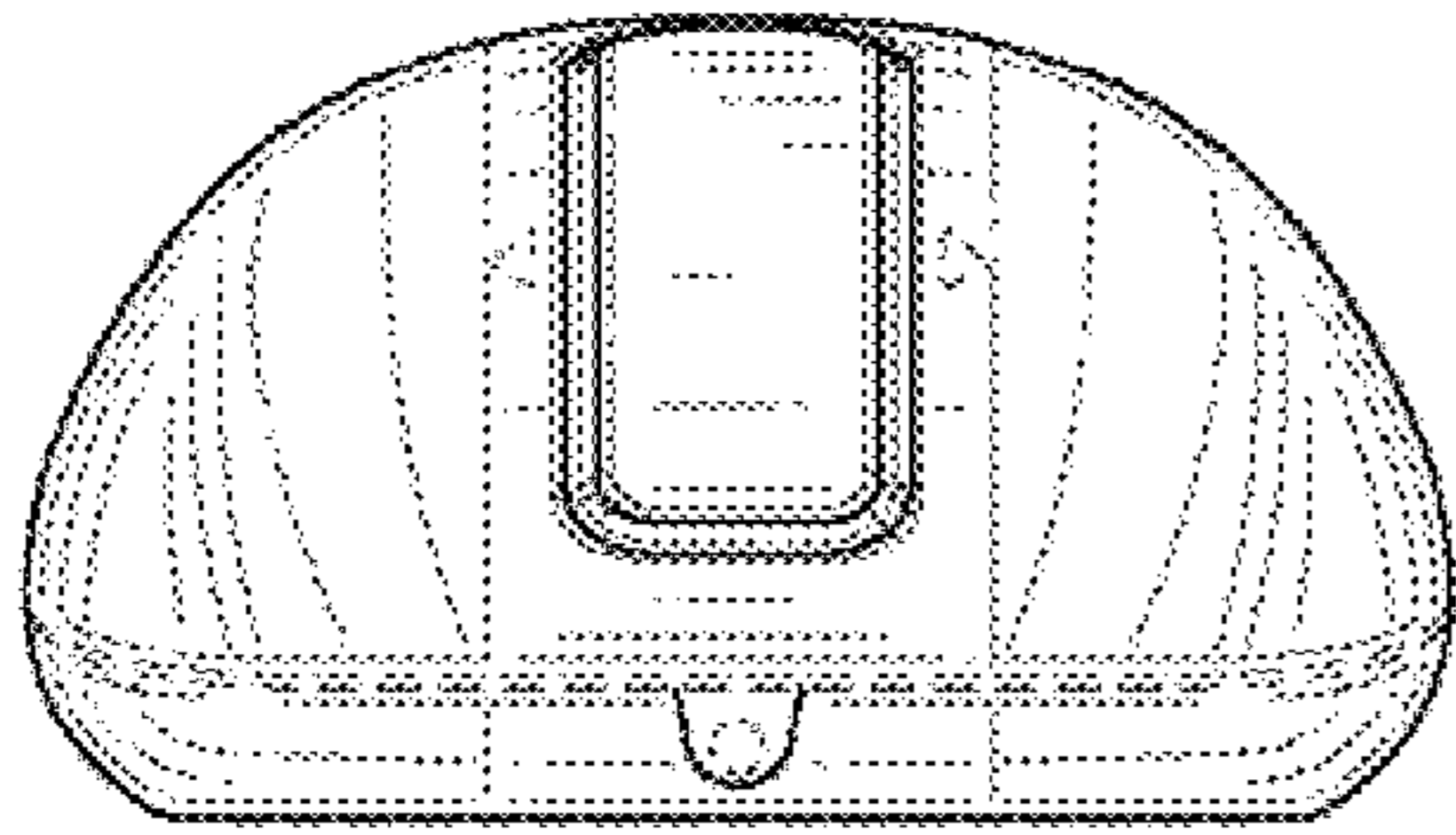


FIG. 5

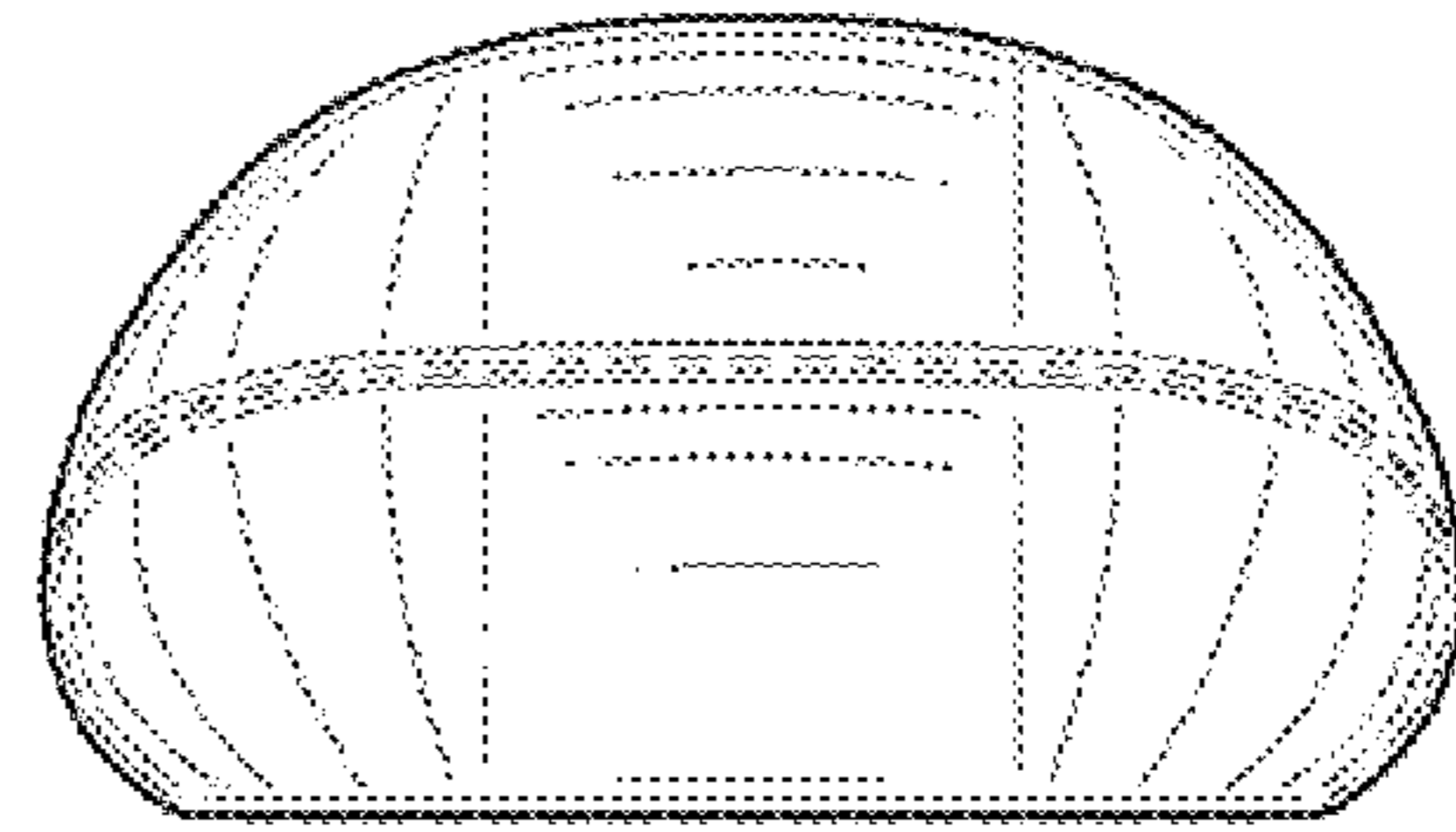


FIG. 6

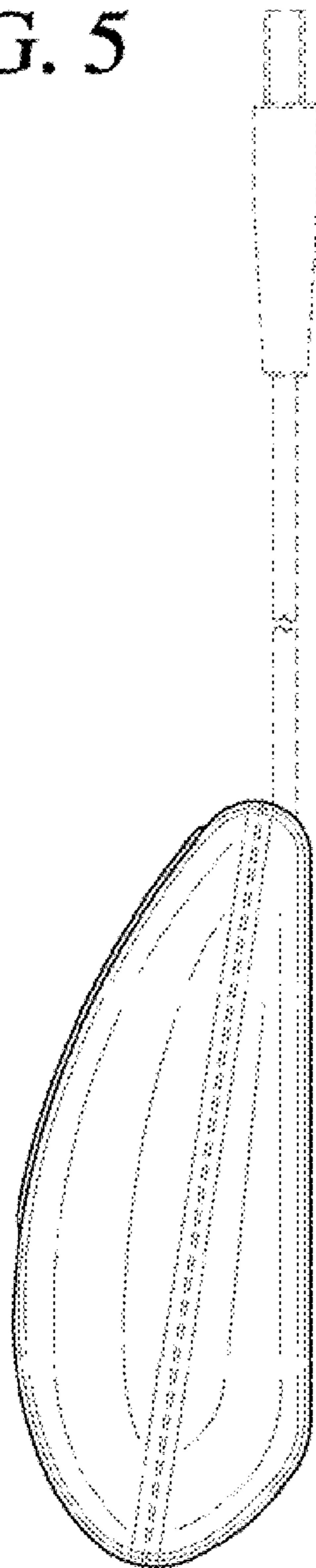


FIG. 7

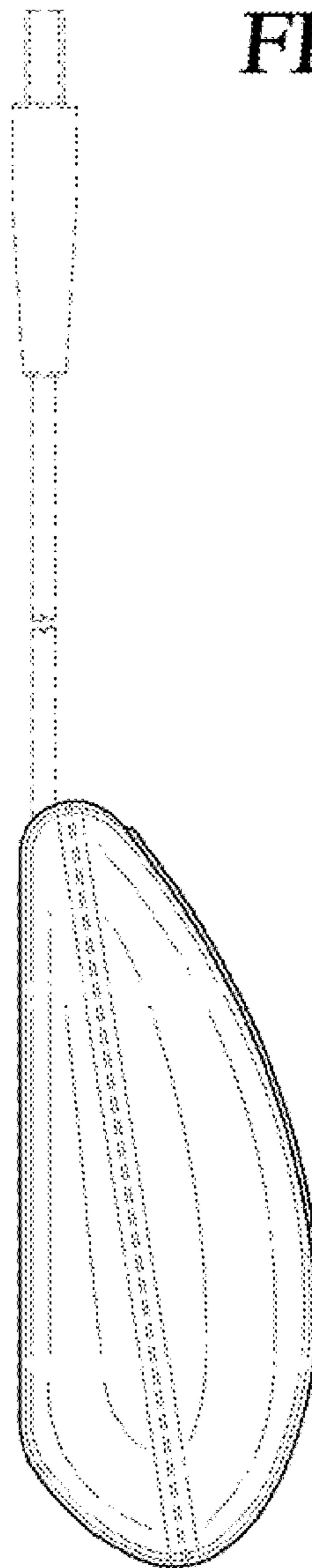


FIG. 8