



US00D581415S

(12) **United States Design Patent**  
**Hengel et al.**

(10) **Patent No.:** **US D581,415 S**

(45) **Date of Patent:** **\*\* Nov. 25, 2008**

(54) **COMPUTER MOUSE**

(75) Inventors: **Andy Hengel**, Los Gatos, CA (US);  
**Peter Sheehan**, New Castle County  
Wicklow (IE); **Eugene Canavan**, Bray  
County Wicklow (IE)

(73) Assignee: **Logitech Europe S.A.** (CH)

(\*\*) Term: **14 Years**

(21) Appl. No.: **29/261,791**

(22) Filed: **Jun. 19, 2006**

(51) **LOC (8) Cl.** ..... **14-02**

(52) **U.S. Cl.** ..... **D14/402**

(58) **Field of Classification Search** ..... D14/402-410,  
D14/417; 235/472.01; 345/156-167; 365/49;  
463/36-38; 200/5 A, 5 R, 6 A, 6 R; 273/148 B;  
D21/333

See application file for complete search history.

(56) **References Cited**

U.S. PATENT DOCUMENTS

D302,426 S	7/1989	Bradley et al.
D328,597 S	8/1992	Clouss
D336,900 S	6/1993	Pfeifer
D337,321 S	7/1993	Koh et al.
D343,392 S	1/1994	Harden et al.
D348,057 S	6/1994	Bradley
D349,280 S	8/1994	Kaneko
D355,901 S	2/1995	Bradley
D356,558 S	3/1995	Montgomery et al.
D362,431 S	9/1995	Kaneko et al.
D372,908 S	8/1996	Aeschbacher et al.
D375,729 S	11/1996	Aeschbacher et al.

D378,086 S	2/1997	Sheehan et al.
D382,550 S	8/1997	Kaneko et al.
D385,542 S	10/1997	Kaneko et al.
D411,190 S	6/1999	McMahon et al.
D411,837 S	7/1999	Sheehan
D412,898 S	8/1999	Adams et al.
D413,114 S	8/1999	Sheehan
D413,322 S	8/1999	Sheehan et al.
D421,434 S	3/2000	Sheehan et al.
D423,488 S	4/2000	O'Keeffe et al.

(Continued)

*Primary Examiner*—Pamela J Burgess

(74) *Attorney, Agent, or Firm*—Townsend and Townsend and  
Crew LLP

(57) **CLAIM**

The ornamental design for computer mouse, as shown and  
described.

**DESCRIPTION**

FIG. 1 is a perspective view of a computer mouse showing our  
new design;

FIG. 2 is a front elevational view thereof;

FIG. 3 is a rear elevational view thereof;

FIG. 4 is a top plan view thereof;

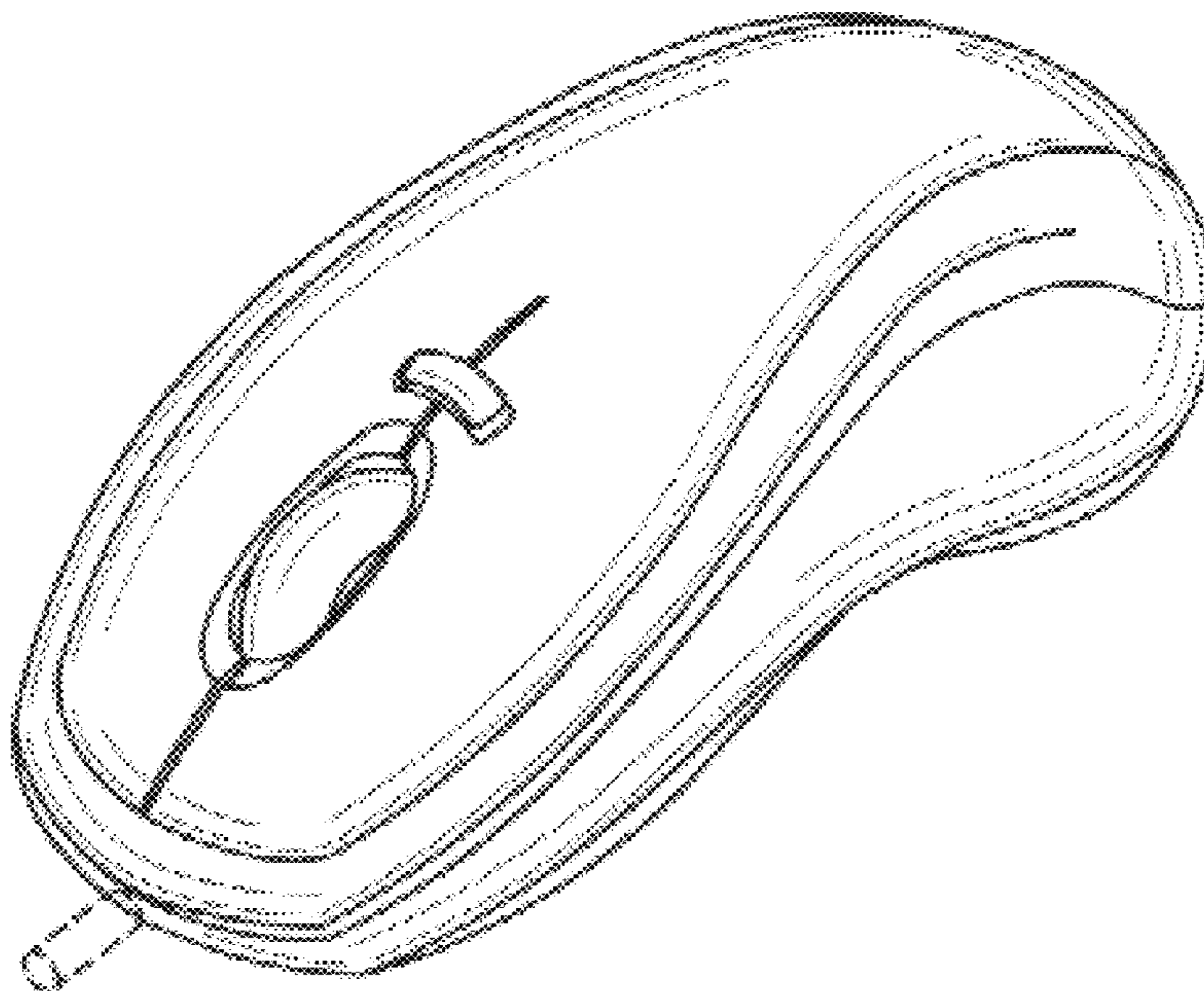
FIG. 5 is a bottom plan view thereof;

FIG. 6 is a right elevational view thereof; and,

FIG. 7 is a left elevational view thereof.

Phantom lining, where utilized, is for illustrative purposes  
only, and is not intended to limit the claimed component  
design to the features shown in phantom.

**1 Claim, 3 Drawing Sheets**



# US D581,415 S

Page 2

## U.S. PATENT DOCUMENTS

D430,879 S	9/2000	Chiang et al.	
D430,881 S	9/2000	Bidiville et al.	
D435,847 S	1/2001	Sheehan et al.	
D435,848 S	1/2001	Sheehan et al.	
D436,961 S	1/2001	Ledbetter et al.	
D437,599 S	2/2001	Kaneko et al.	
D437,852 S	2/2001	Ledbetter et al.	
D437,853 S	2/2001	Ledbetter et al.	
D438,209 S	2/2001	Ledbetter et al.	
D439,252 S	3/2001	Ledbetter et al.	
D439,253 S	3/2001	Sheehan et al.	
D439,905 S	4/2001	Jones et al.	
D440,224 S	4/2001	Jones et al.	
D440,972 S	4/2001	Chiang et al.	
D441,749 S	5/2001	Swan et al.	
D442,592 S	5/2001	Ledbetter et al.	
D443,274 S	6/2001	Loughnane et al.	
D443,275 S	6/2001	Loughnane et al.	
D443,616 S	6/2001	Fisher et al.	
D449,301 S	10/2001	Stephens et al.	
D450,321 S	11/2001	Fisher et al.	
D450,697 S	11/2001	Fisher et al.	
D450,698 S	11/2001	Fisher et al.	
D450,699 S	11/2001	Fisher et al.	
D450,700 S	11/2001	Fisher et al.	
D451,098 S	11/2001	Fisher et al.	
D460,071 S	7/2002	Sheehan et al.	
D460,072 S *	7/2002	Sheehan	D14/408
D460,969 S	7/2002	Sheehan	
D464,350 S	10/2002	Kerestegian et al.	
D464,352 S	10/2002	Kerestegian	
D464,651 S	10/2002	Kerestegian	
D464,652 S *	10/2002	Roh	D14/408
D467,925 S *	12/2002	Hu et al.	D14/408
D470,495 S	2/2003	Sheehan et al.	
D471,556 S	3/2003	O'Keeffe et al.	
D473,232 S	4/2003	Fisher	
D473,870 S	4/2003	Fisher	
D474,769 S *	5/2003	Fisher et al.	D14/408
D475,347 S	6/2003	Sheehan et al.	
D479,528 S	9/2003	Sheehan et al.	
D479,529 S *	9/2003	Sheehan et al.	D14/408
D485,272 S	1/2004	Fisher	
D487,895 S	3/2004	Fisher et al.	
D488,157 S *	4/2004	Fisher	D14/408
D488,474 S	4/2004	Fisher et al.	
D489,723 S	5/2004	Fisher et al.	
D489,724 S	5/2004	Fisher	
D491,948 S *	6/2004	Fisher	D14/408
D491,949 S *	6/2004	Su et al.	D14/408
D493,173 S	7/2004	Canavan et al.	
D503,715 S	4/2005	Sheehan et al.	
D504,133 S *	4/2005	Canavan et al.	D14/402
D505,677 S	5/2005	Sheehan et al.	
D505,678 S	5/2005	Sheehan et al.	
D505,679 S	5/2005	Klarke et al.	
D506,198 S	6/2005	Sheehan et al.	
D514,106 S *	1/2006	Pan	D14/408
D519,119 S	4/2006	Canavan et al.	
D519,508 S	4/2006	Canavan et al.	
D521,517 S	5/2006	Canavan et al.	
D523,013 S	6/2006	Twohig et al.	
D528,118 S *	9/2006	Canavan et al.	D14/407

\* cited by examiner

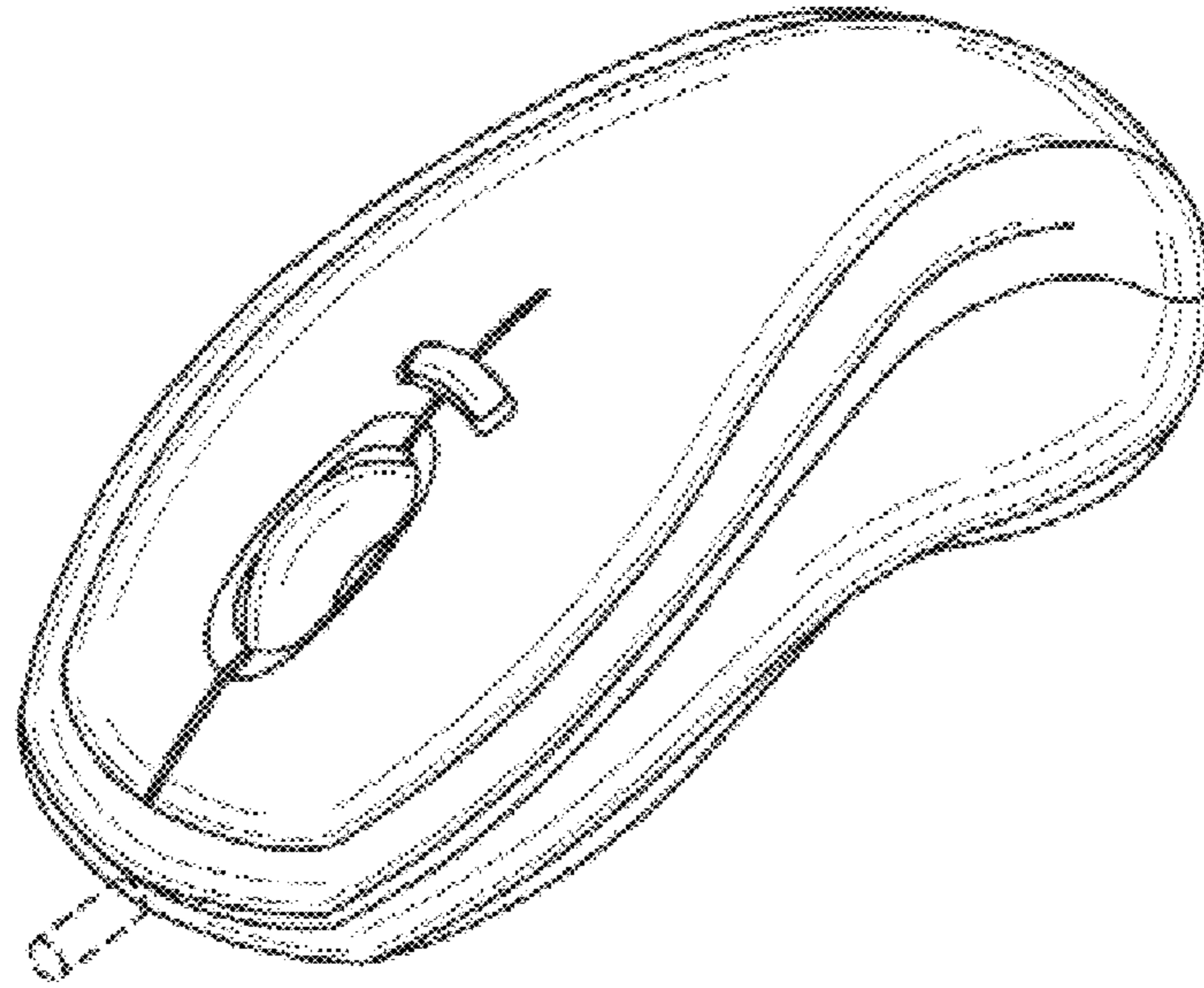


FIG. 1

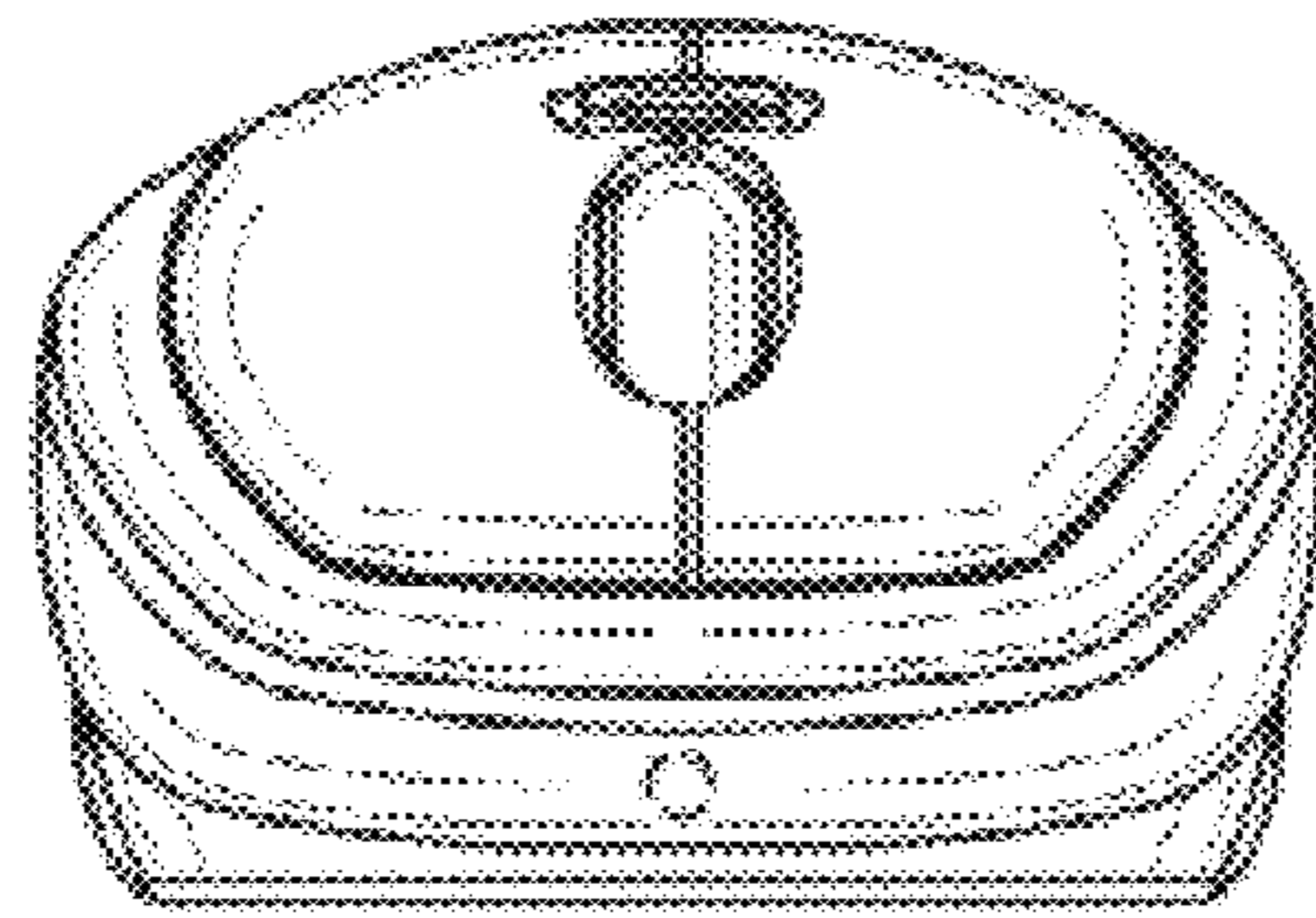


FIG. 2

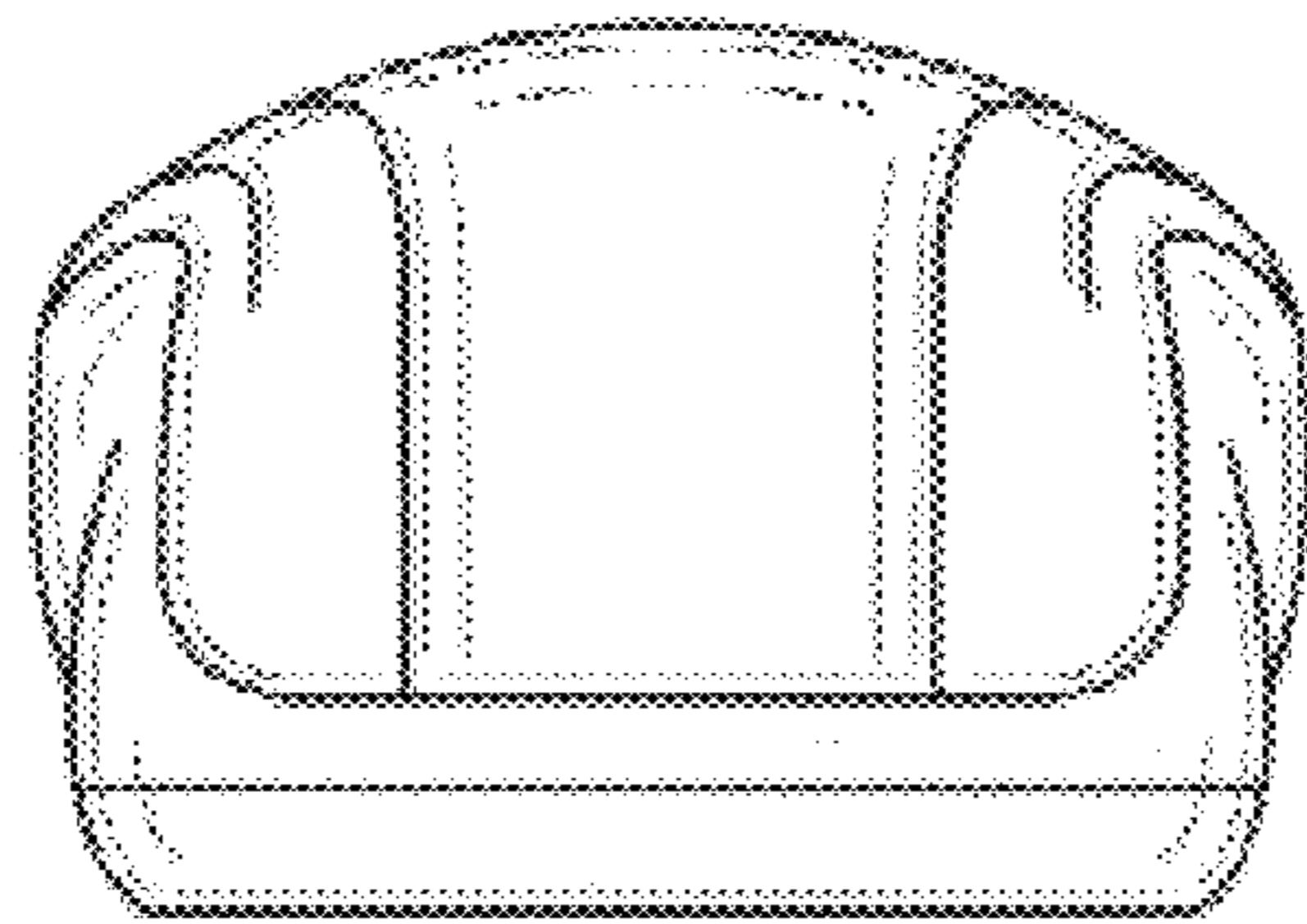


FIG. 3

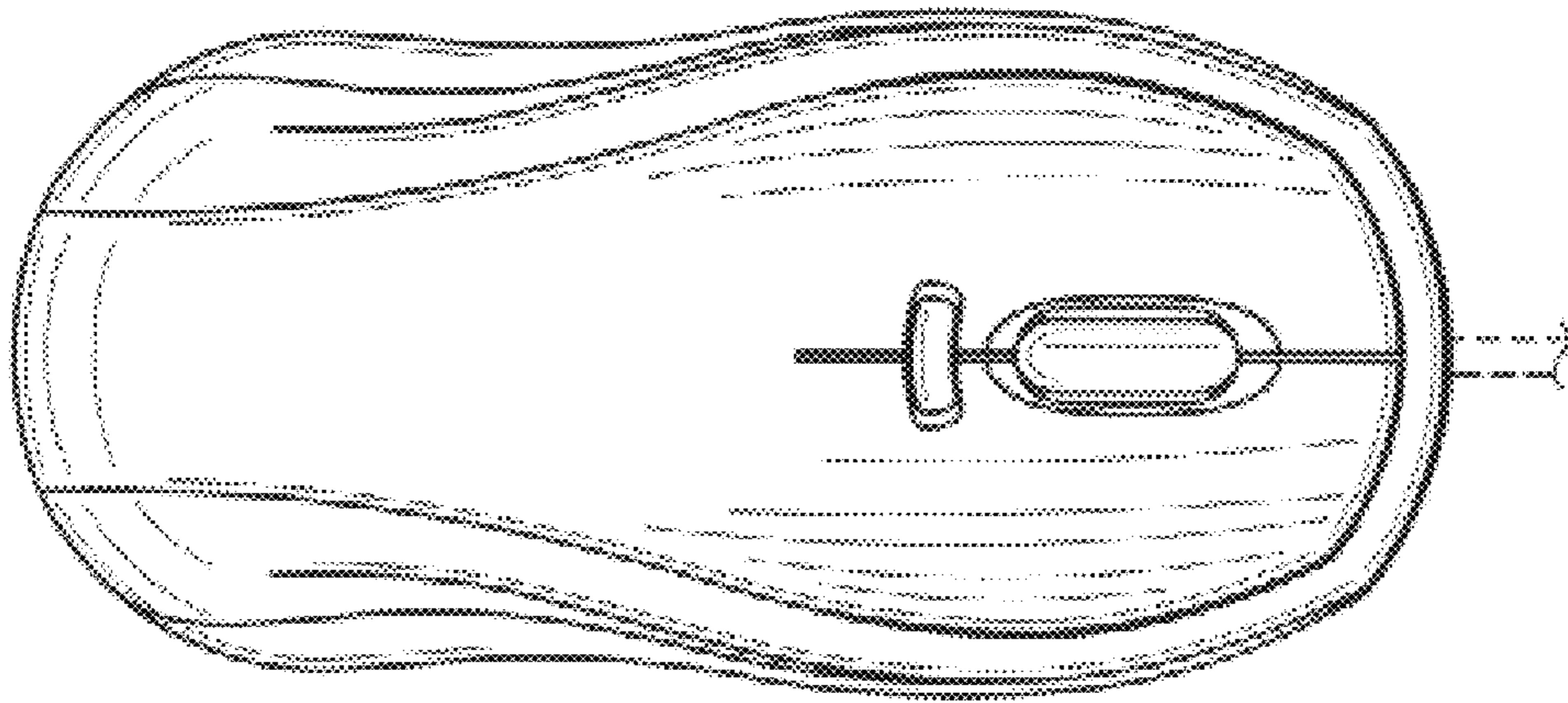


FIG. 4

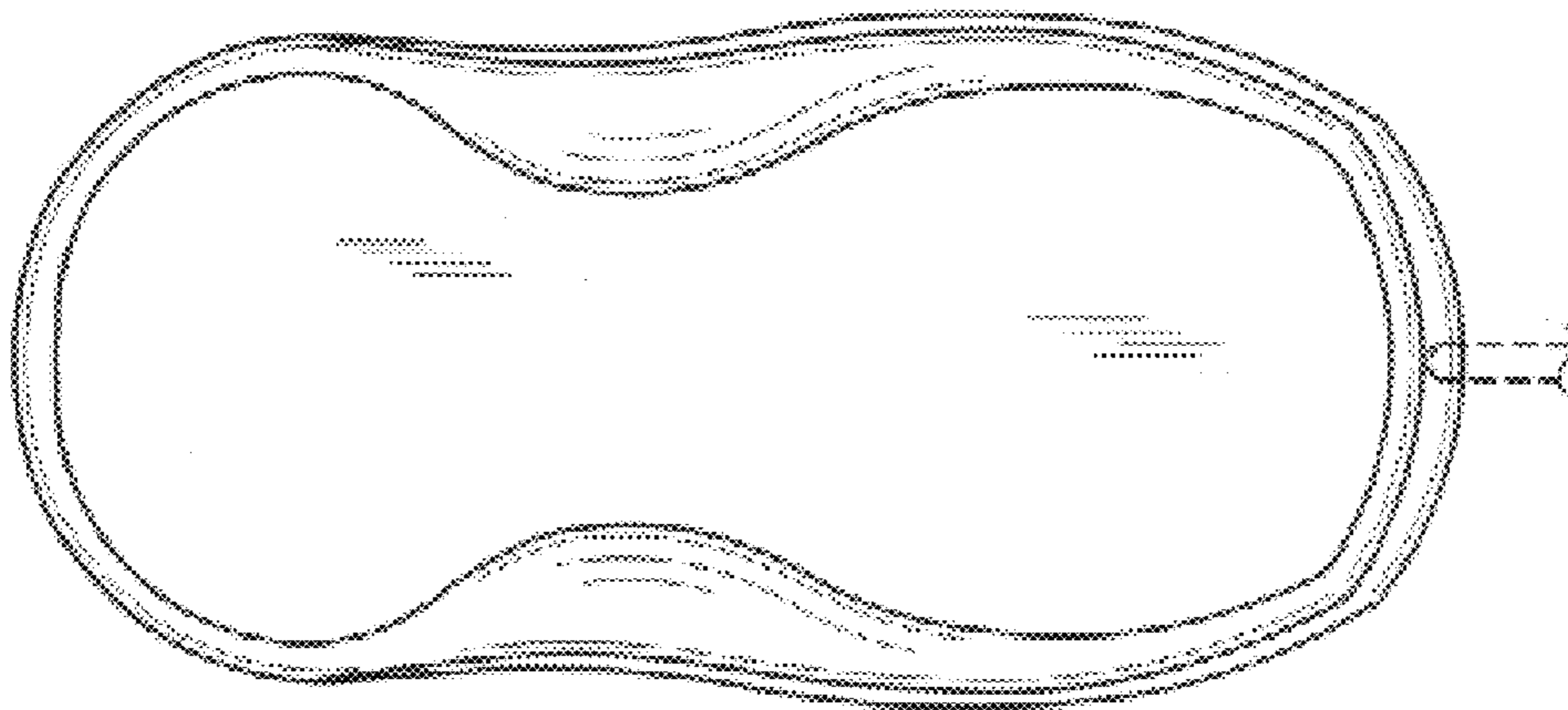


FIG. 5

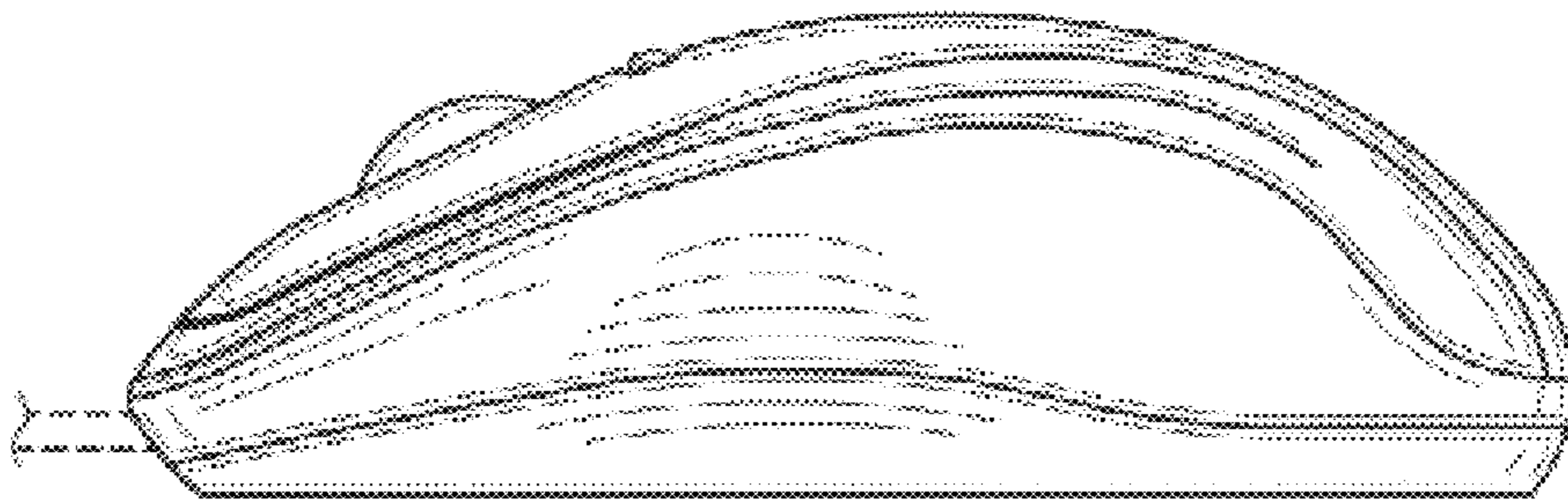


FIG. 6



FIG. 7