



US00D581408S

(12) **United States Design Patent**
Fiore, IV

(10) **Patent No.:** **US D581,408 S**

(45) **Date of Patent:** **** Nov. 25, 2008**

(54) **AUTO STEREO INSTALLATION DEVICE**

D545,661 S * 7/2007 Quilling, II D14/258
D555,156 S * 11/2007 Quilling D14/258

(75) Inventor: **Anthony Fiore, IV**, Palm Coast, FL
(US)

* cited by examiner

(73) Assignee: **Metra Electronics Corp.**, Holly Hills,
FL (US)

Primary Examiner—Robert M Spear
Assistant Examiner—Katrina A Kile
(74) *Attorney, Agent, or Firm*—John Loiley Horton

(**) Term: **14 Years**

(57) **CLAIM**

(21) Appl. No.: **29/310,065**

The ornamental design for an auto stereo installation device,
as shown and described.

(22) Filed: **Jul. 24, 2008**

(51) **LOC (8) Cl.** **14-01**

(52) **U.S. Cl.** **D14/258**

(58) **Field of Classification Search** D14/258,
D14/257, 224, 217, 198, 197, 188, 17, 170,
D14/168, 167, 164, 162, 161, 160, 157, 156,
D14/136, 135, 415, 418, 400, 195; 720/691,
720/658, 270; 455/344, 575.1; 396/434,
396/93; 386/1; 369/75.1; 360/47, 4; 359/550,
359/258; 349/460, 159, 10

See application file for complete search history.

DESCRIPTION

FIG. 1 is a perspective view of an auto stereo installation device, showing my design;

FIG. 2 is a front elevation view of FIG. 1;

FIG. 3 is a rear elevation view of FIG. 1;

FIG. 4 is a right side elevation view of FIG. 1;

FIG. 5 is a left side elevation view of FIG. 1;

FIG. 6 is a top plan view of FIG. 1; and,

FIG. 7 is a bottom plan view of FIG. 1.

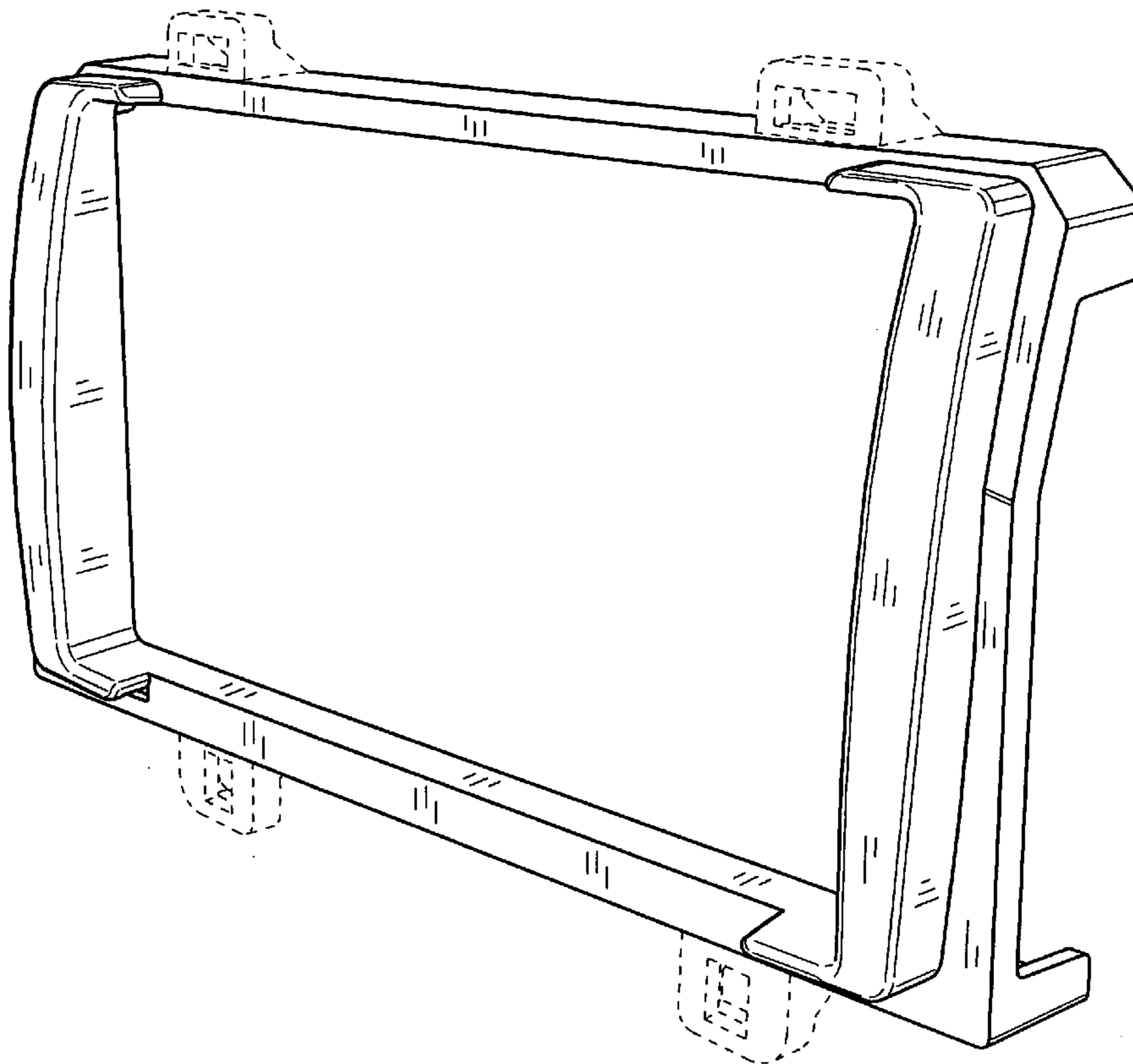
The broken lines shown in all views illustrate mounting features which form no part of the claimed design.

(56) **References Cited**

U.S. PATENT DOCUMENTS

D481,708 S * 11/2003 Quilling et al. D14/224
D496,028 S * 9/2004 Quilling, II D14/224

1 Claim, 7 Drawing Sheets



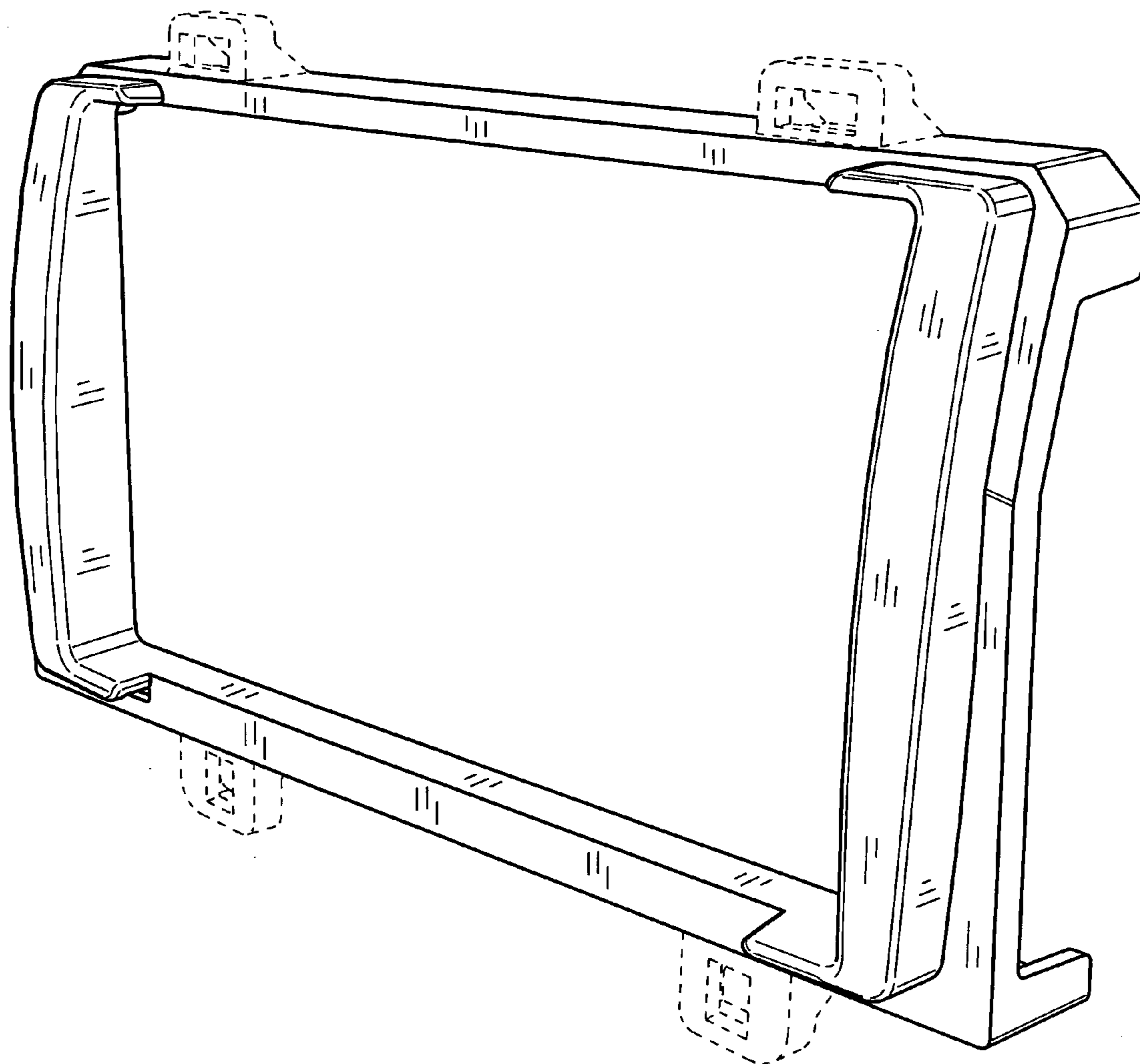


FIG. 1

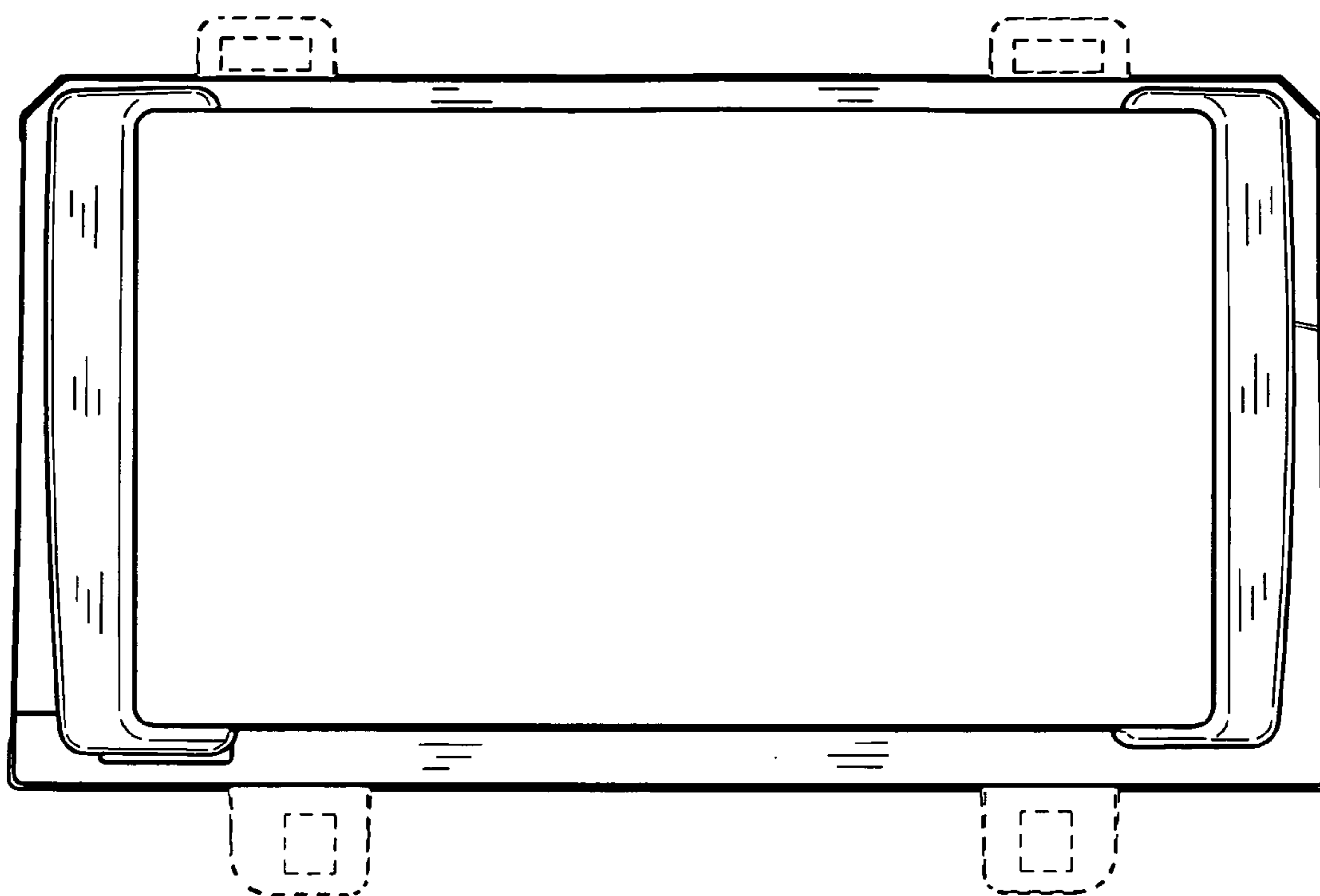


FIG. 2

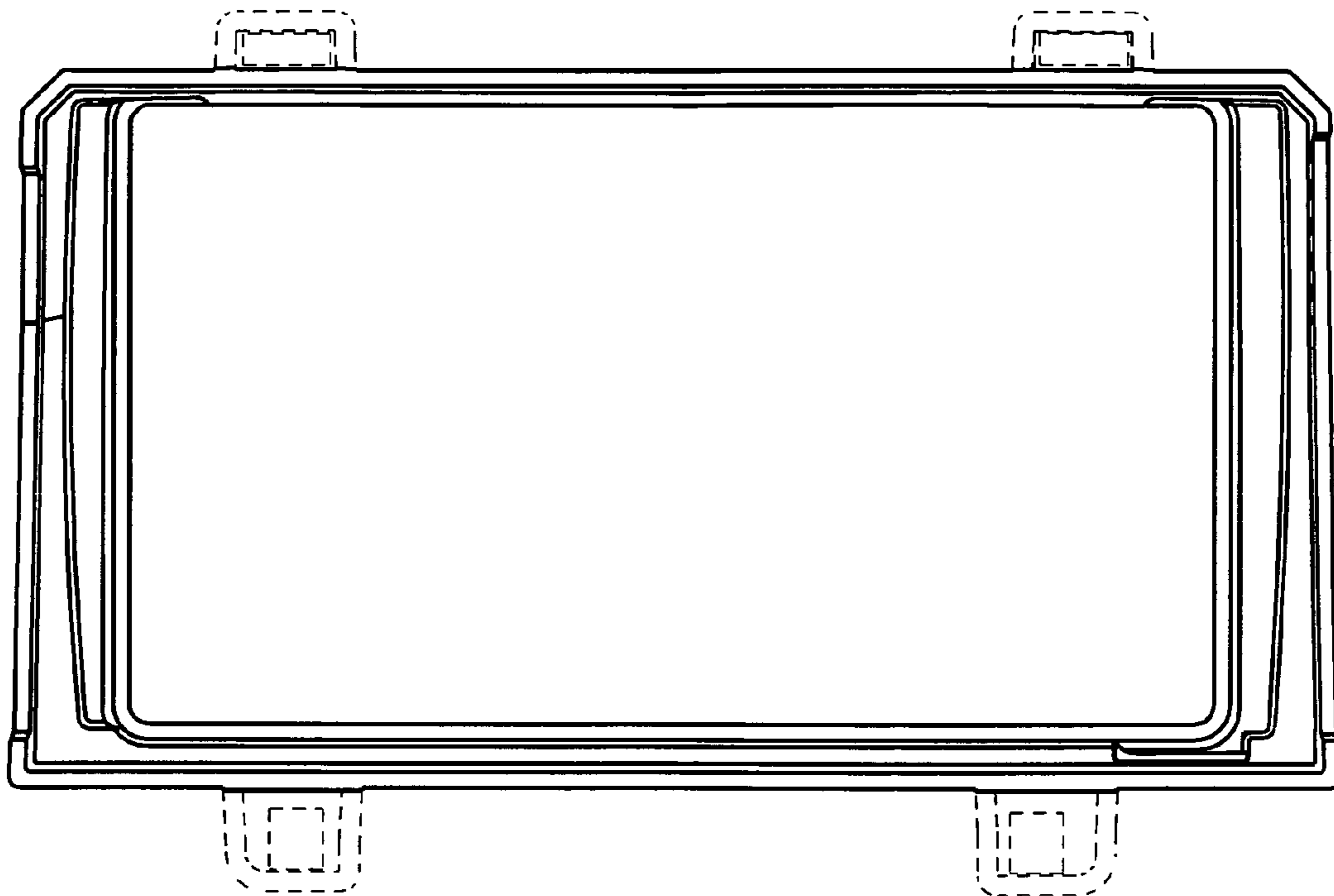


FIG. 3



FIG. 4



FIG. 5

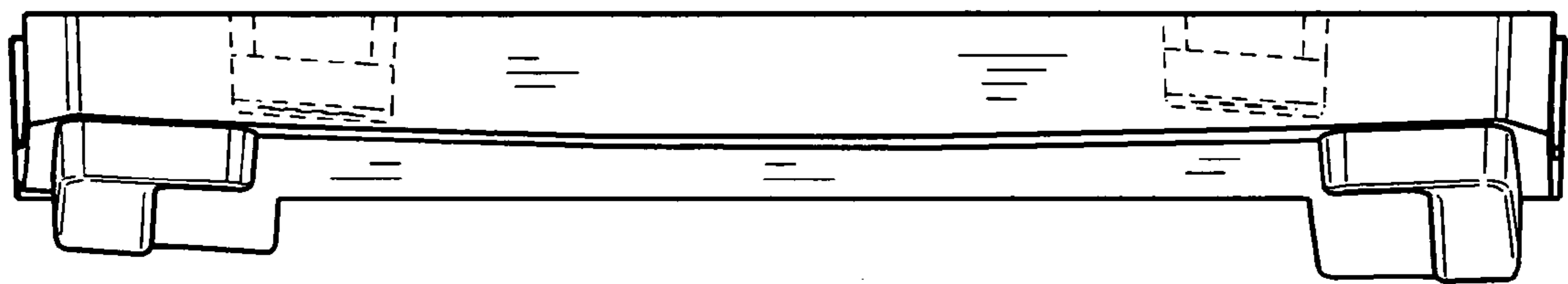


FIG. 6

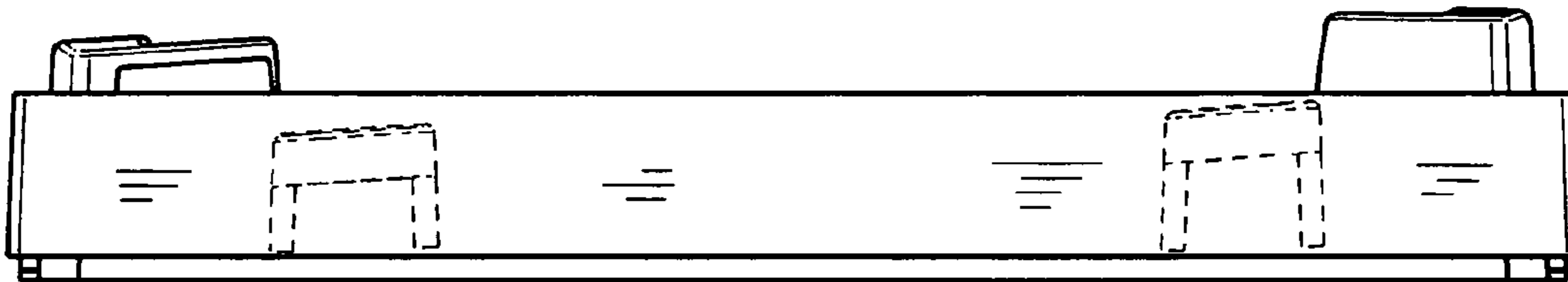


FIG. 7