



US00D581407S

(12) **United States Design Patent**
Burns

(10) **Patent No.:** **US D581,407 S**

(45) **Date of Patent:** **** Nov. 25, 2008**

(54) **SET OF KEY BUTTONS FOR A HANDSET**

(75) Inventor: **Duncan Burns**, Tarzana, CA (US)

(73) Assignee: **Nokia Corporation**, Espoo (FI)

(**) Term: **14 Years**

(21) Appl. No.: **29/302,790**

(22) Filed: **Jan. 24, 2008**

Related U.S. Application Data

(62) Division of application No. 29/249,684, filed on Oct. 17, 2006, now Pat. No. Des. 560,632.

(51) **LOC (8) Cl.** **14-03**

(52) **U.S. Cl.** **D14/247**

(58) **Field of Classification Search** D14/137,
D14/138, 147, 191, 218, 247-248, 341-347,
D14/496; D10/65, 78, 104; D13/168; D18/7;
455/556.1, 566, 575.1, 575.3; 345/169
See application file for complete search history.

(56) **References Cited**

U.S. PATENT DOCUMENTS

D503,699 S	4/2005	Lee et al.	
D508,240 S	8/2005	Kim et al.	
D508,687 S	8/2005	Lee	
D509,202 S	9/2005	Lee et al.	
D511,342 S	11/2005	Chien	
D525,608 S	7/2006	Ryu	
D526,297 S *	8/2006	Lee et al.	D14/138
D526,301 S	8/2006	Shin	
D526,302 S	8/2006	Kim	
D526,303 S	8/2006	Kim et al.	
D527,716 S *	9/2006	Kim et al.	D14/138
D527,717 S	9/2006	Kim	
D529,475 S *	10/2006	Lee et al.	D14/138
D535,966 S *	1/2007	Lee et al.	D14/138
D545,292 S	6/2007	Lee et al.	
D547,330 S *	7/2007	Lee	D14/496
D552,062 S *	10/2007	Kim et al.	D14/138
D553,112 S *	10/2007	Kim et al.	D14/138

D554,092 S *	10/2007	Choi et al.	D14/138
D557,672 S *	12/2007	Bae	D14/138
D559,238 S *	1/2008	Lyles	D14/248
D560,632 S *	1/2008	Burns	D14/138
D561,752 S *	2/2008	Lyles	D14/248
D562,279 S *	2/2008	Lee et al.	D14/138
D562,315 S *	2/2008	Lyles	D14/248
D562,792 S *	2/2008	Lee et al.	D14/138
D565,041 S *	3/2008	Burns et al.	D14/248
D565,042 S *	3/2008	Scales et al.	D14/248
D569,861 S *	5/2008	Lyles	D14/248
2005/0124394 A1	6/2005	Kim et al.	
2005/0255897 A1	11/2005	Lee et al.	
2008/0064439 A1 *	3/2008	Na	455/556.1

OTHER PUBLICATIONS

O2 XDA Stellar, announced Nov. 2007, [online], [retrieved on Dec. 13, 2007]. Retrieved from Internet, <URL: <http://www.gsmarena.com>>.*

Samsung E350, announced 1st quarter 2005, [online], [retrieved on Feb. 8, 2007]. Retrieved from Internet, <URL: <http://www.gsmarena.com>>.

HTC P4550, announced Jul. 2007, [online], [retrieved on Aug. 6, 2007]. Retrieved from Internet, <URL: <http://www.gsmarena.com>>.

* cited by examiner

Primary Examiner—Jeffrey D. Asch

Assistant Examiner—Bridget L Eland

(74) *Attorney, Agent, or Firm*—Banner & Witcoff, Ltd.

(57) **CLAIM**

The ornamental design for a set of key buttons for a handset, as shown and described.

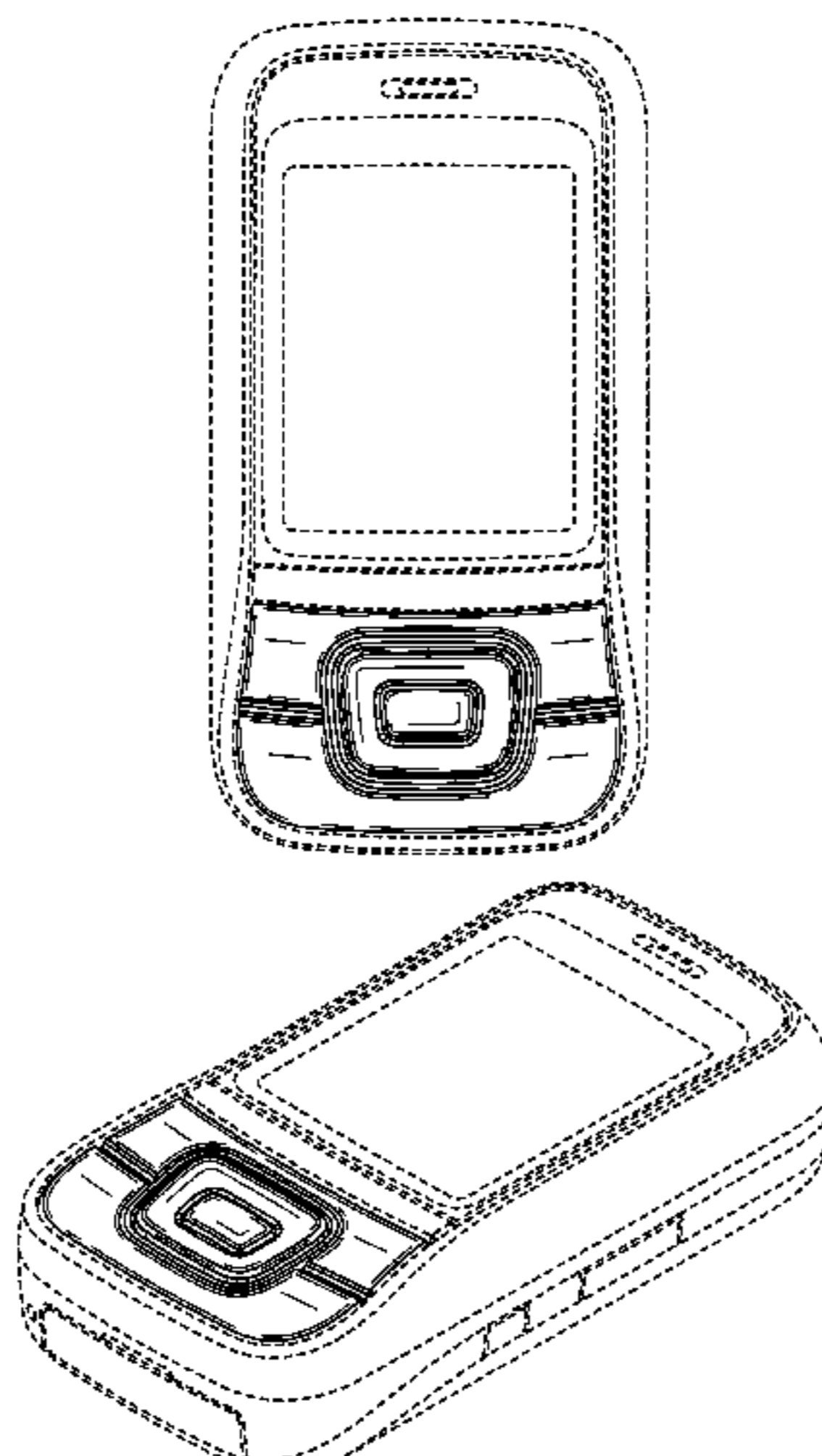
DESCRIPTION

FIG. 1 is a front view of a set of key buttons for a handset showing my new design; and,

FIG. 2 is a perspective front view thereof.

The broken line showing of the remainder of the handset in the figures is for illustrative purposes only and forms no portion of the claimed design.

1 Claim, 1 Drawing Sheet



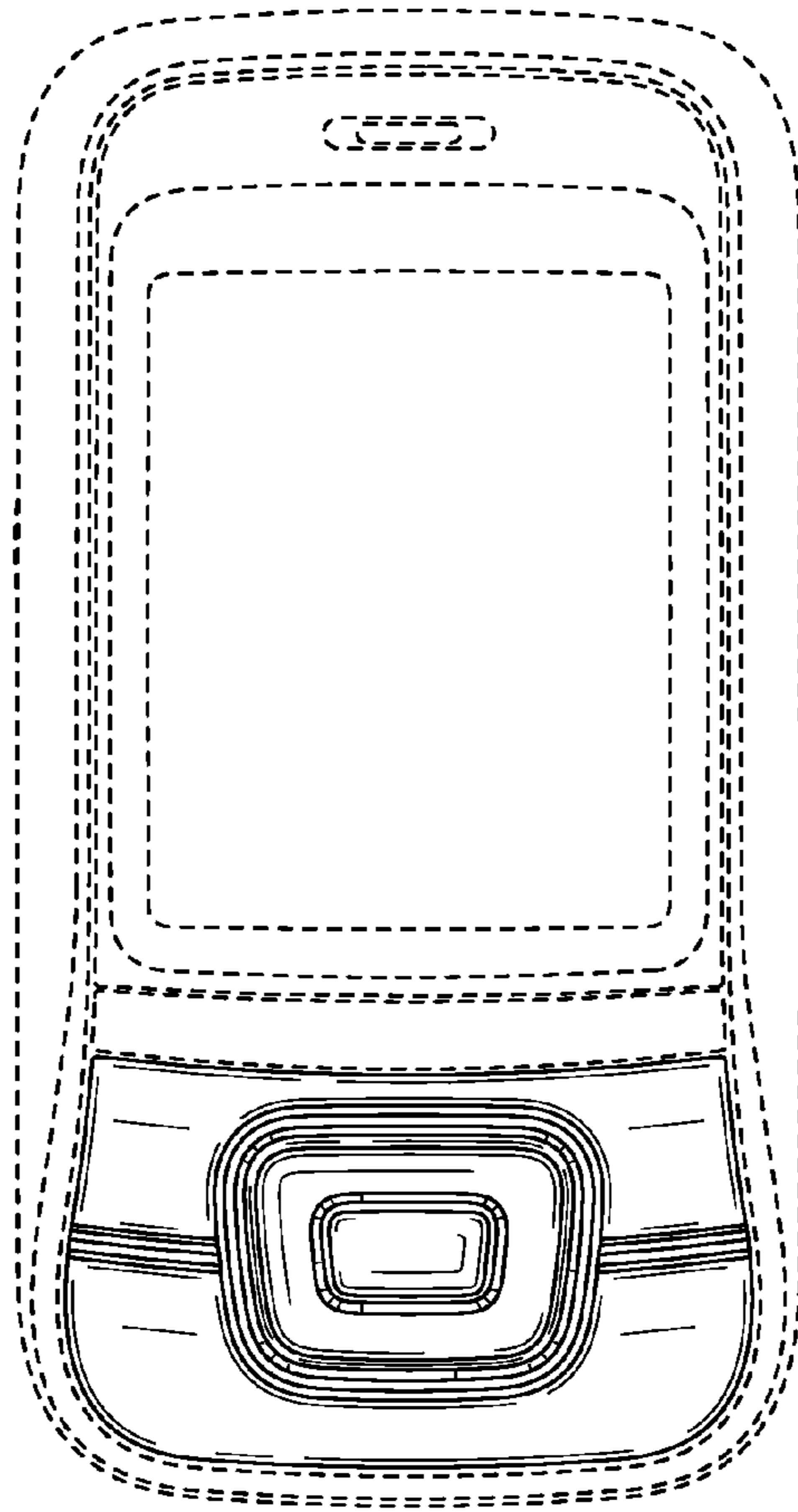


FIG. 1

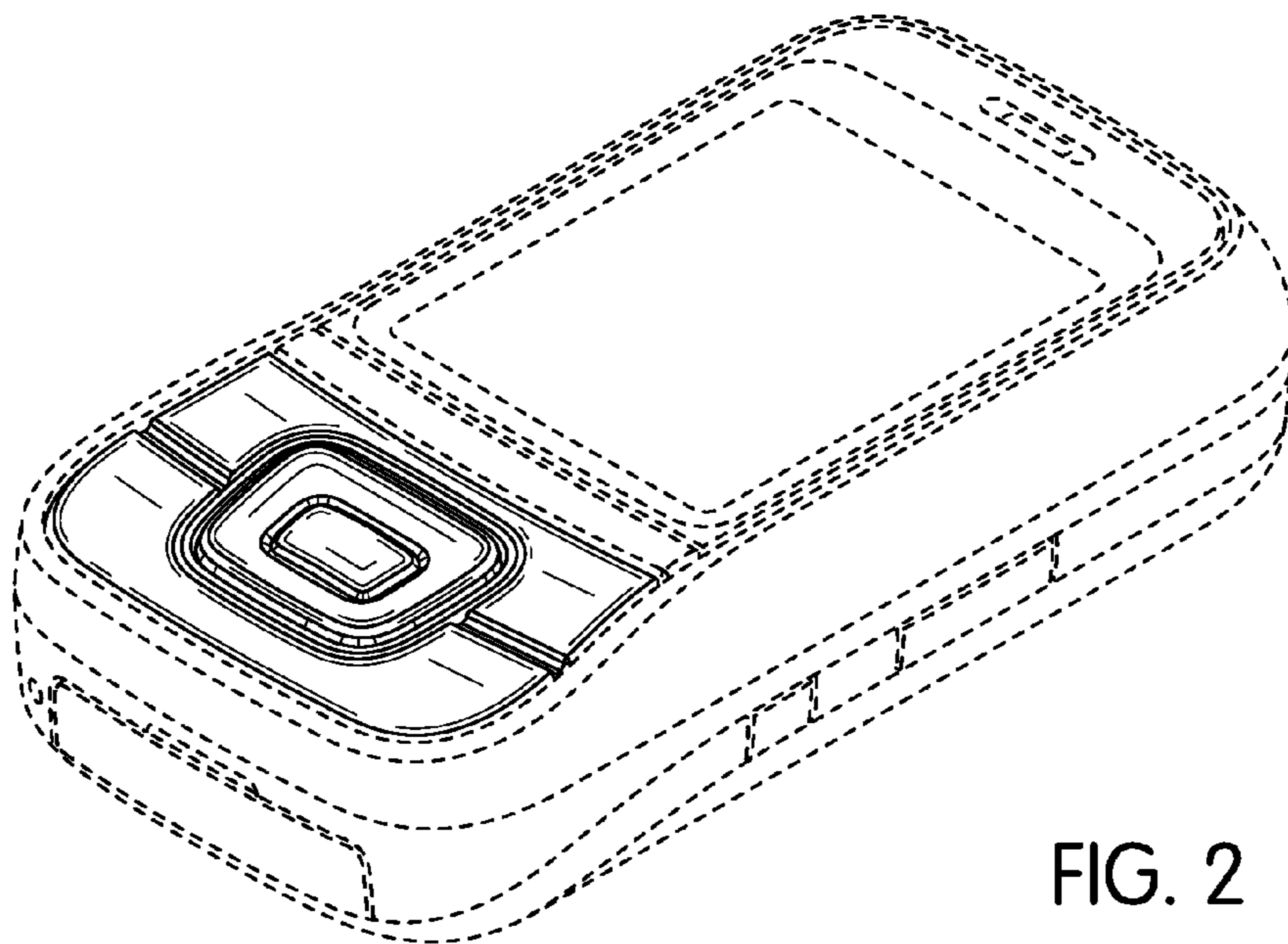


FIG. 2