



US00D581399S

(12) **United States Design Patent**  
**Andre et al.**

(10) **Patent No.:** **US D581,399 S**

(45) **Date of Patent:** **\*\* Nov. 25, 2008**

(54) **SPEAKER UNIT**

(75) Inventors: **Bartley K. Andre**, Menlo Park, CA (US); **Daniel J. Coster**, San Francisco, CA (US); **Daniele De Iuliis**, San Francisco, CA (US); **Richard P. Howarth**, San Francisco, CA (US); **Jonathan P. Ive**, San Francisco, CA (US); **Steve Jobs**, Palo Alto, CA (US); **Duncan Robert Kerr**, San Francisco, CA (US); **Shin Nishibori**, San Francisco, CA (US); **Matthew Dean Rohrbach**, San Francisco, CA (US); **Douglas B. Satzger**, Menlo Park, CA (US); **Calvin Q. Seid**, Palo Alto, CA (US); **Christopher J. Stringer**, Woodside, CA (US); **Eugene Antony Whang**, San Francisco, CA (US); **Rico Zorkendorfer**, San Francisco, CA (US)

(73) Assignee: **Apple Inc.**, Cupertino, CA (US)

(\*\*) Term: **14 Years**

(21) Appl. No.: **29/296,851**

(22) Filed: **Oct. 30, 2007**

**Related U.S. Application Data**

(63) Continuation of application No. 29/240,183, filed on Oct. 7, 2005, now Pat. No. Des. 560,656.

(51) **LOC (8) Cl.** ..... **14-01**

(52) **U.S. Cl.** ..... **D14/214**

(58) **Field of Classification Search** ..... D14/204, D14/209–217, 188, 168, 156, 171–172; 181/143–144, 181/147–148, 150, 157, 198–199, 151, 153; 381/300–302, 306, 333, 345, 361–364, 386–388, 381/332, 336

See application file for complete search history.

(56) **References Cited**

U.S. PATENT DOCUMENTS

3,143,182 A	8/1964	Sears et al.	
D369,356 S	4/1996	Olson	
D385,530 S	10/1997	Hames et al.	
D395,047 S	6/1998	Segan et al.	
D397,996 S	9/1998	Smith	
5,952,814 A	9/1999	Van Lerberghe	
D418,138 S	12/1999	Miyazaki	
D442,939 S	5/2001	Goldenburg	
6,591,085 B1	7/2003	Grady	
D480,708 S *	10/2003	Bothe .....	D14/214
D503,396 S *	3/2005	Hisatsune .....	D14/214
D508,041 S	8/2005	Carbone et al.	
D508,689 S	8/2005	Schul et al.	
D510,091 S	9/2005	Mori et al.	
D514,090 S	1/2006	Carbone et al.	
7,075,579 B2	7/2006	Whitby et al.	
D526,321 S	8/2006	Hayes et al.	
D530,717 S	10/2006	Mori et al.	
D532,005 S	11/2006	Leith	
7,145,603 B2	12/2006	Whitby et al.	
D535,614 S	1/2007	Majanen et al.	
2004/0162029 A1	8/2004	Grady	

OTHER PUBLICATIONS

U.S. Appl. No. 29/296,896, filed Oct. 30, 2007.  
U.S. Appl. No. 29/251,423, filed Jan. 5, 2006.

\* cited by examiner

*Primary Examiner*—Nanda Bondade

(74) *Attorney, Agent, or Firm*—Sterne, Kessler, Goldstein & Fox P.L.L.C.

(57) **CLAIM**

We claim the ornamental design for an speaker unit, substantially as shown and described.

**DESCRIPTION**

This application is also related to U.S. Design patent application Ser. No. 29/237,084, filed Aug. 24, 2005 and entitled "Docking Station" now U.S. Pat. No. 558,738.

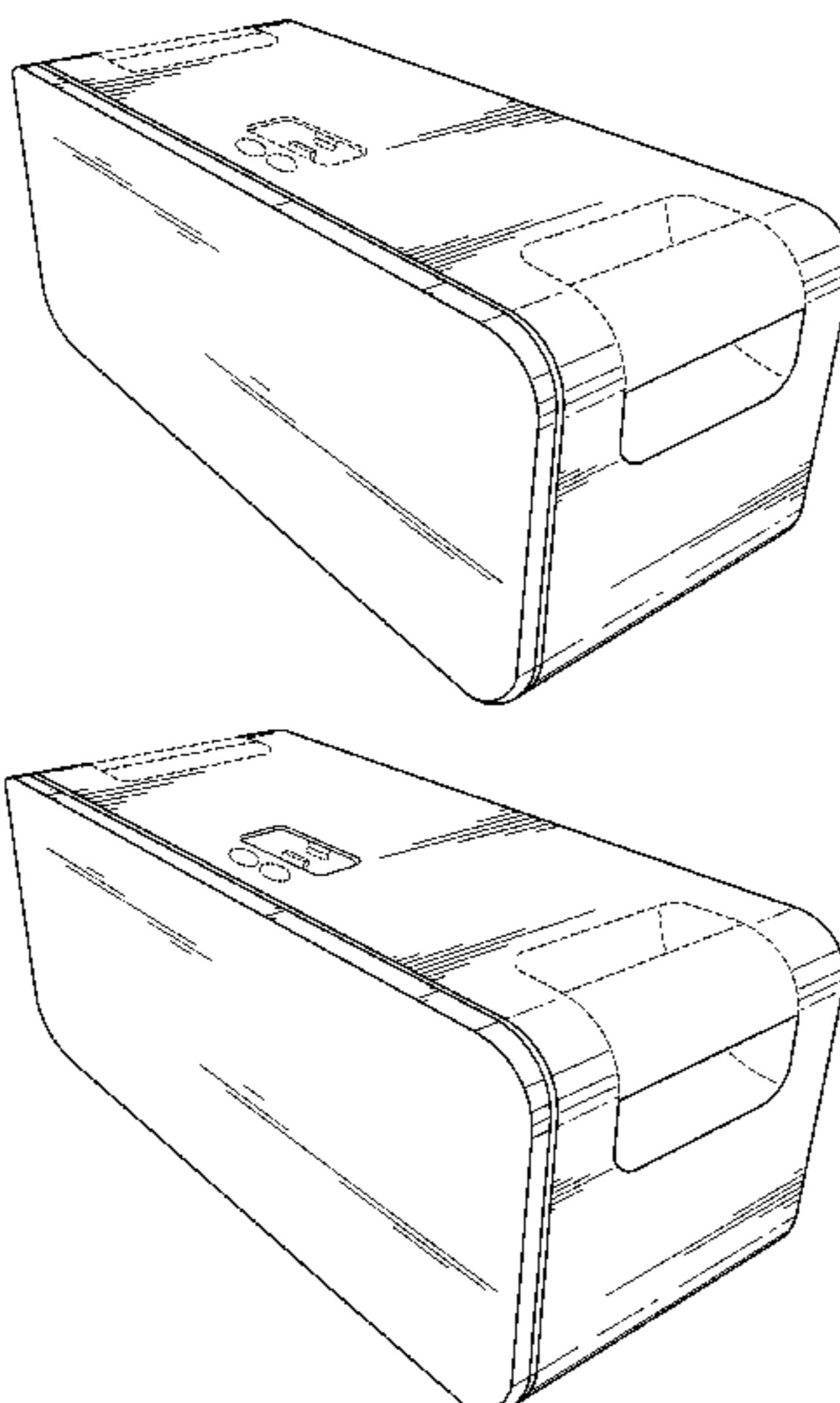


FIG. 1 is a front perspective view of a speaker unit in accordance with the present design.

FIG. 2 is a rear perspective view for the speaker unit.

FIG. 3 is a front view for the speaker unit.

FIG. 4 is a rear view for the speaker unit.

FIG. 5 is a top view for the speaker unit.

FIG. 6 is a bottom view for the speaker unit.

FIG. 7 is a right side view for the speaker unit.

FIG. 8 is a left side view for the speaker unit.

FIG. 9 is a front view for the speaker unit with the speaker cover removed.

FIG. 10 is a rear view for the speaker cover of the speaker unit.

FIG. 11 is a front view of a second embodiment of FIG. 1;

FIG. 12 is a front view with the speaker cover removed of a third embodiment of FIG. 1;

FIG. 13 is a front perspective view of a fourth embodiment of FIG. 1;

FIG. 14 is a rear perspective view of FIG. 13; and,

FIG. 15 is a top view of FIG. 13.

The broken lines in the Figures, including the interior of the recesses on the sides of the speaker unit, are included for the purpose of illustrating environmental structure only and form no part of the claimed design.

**1 Claim, 9 Drawing Sheets**

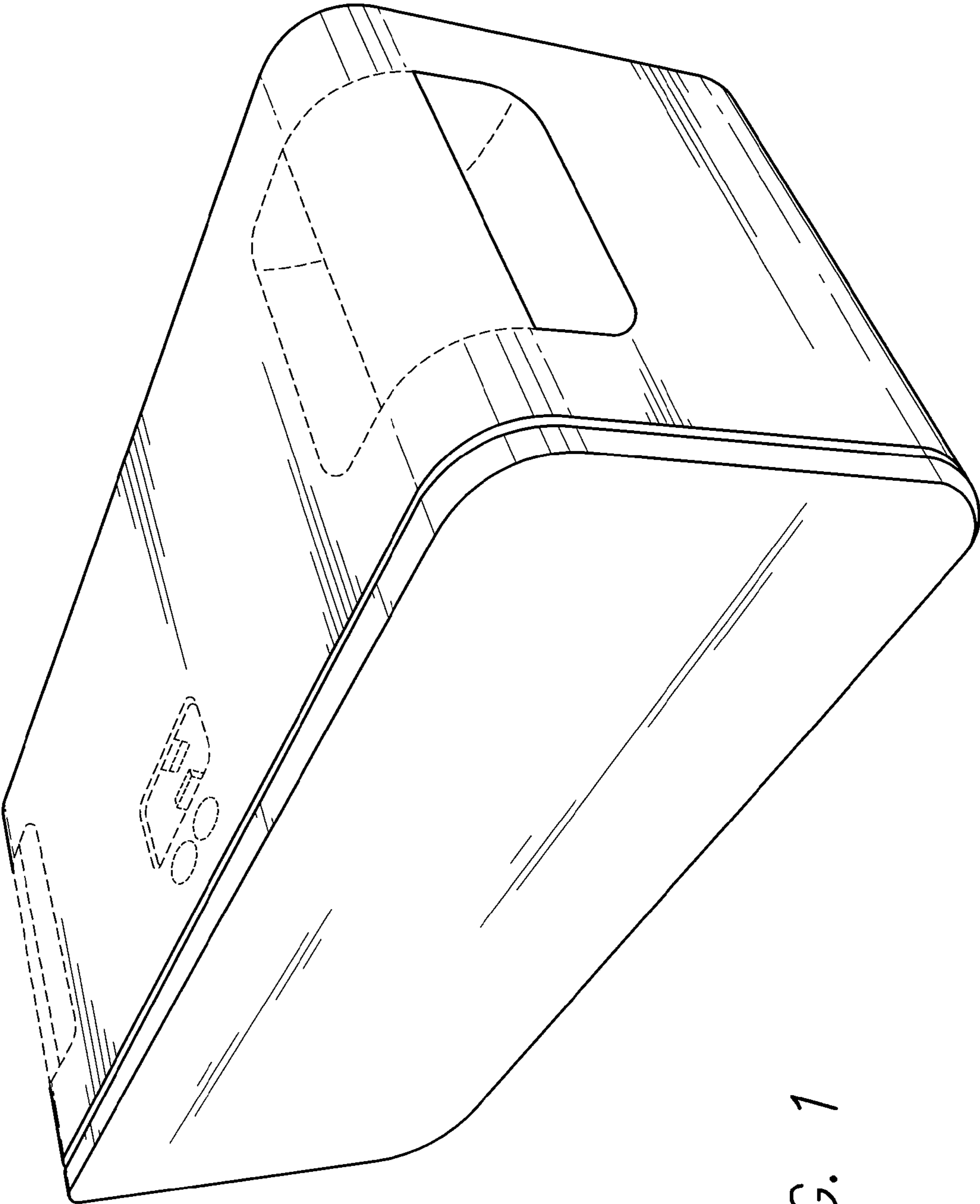


FIG. 1

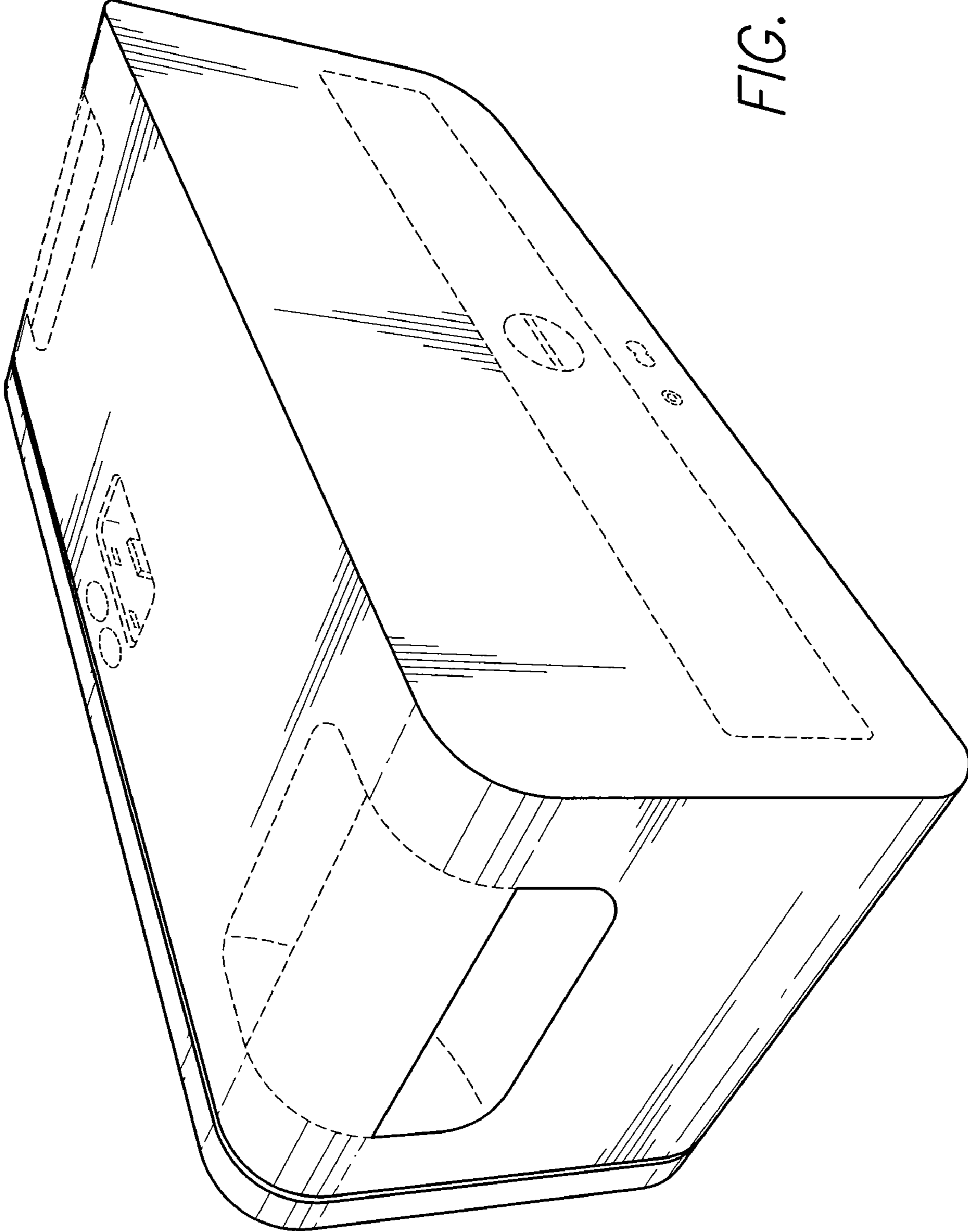


FIG. 2

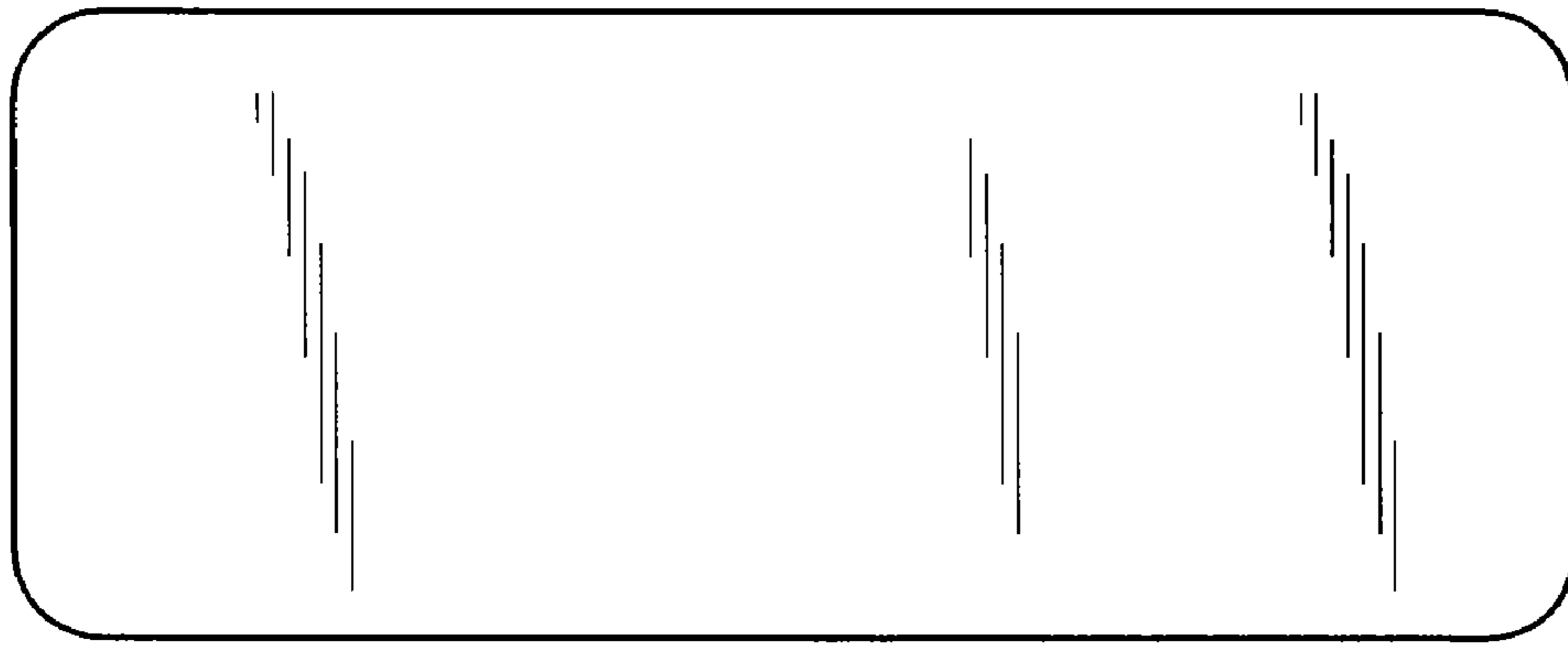


FIG. 3

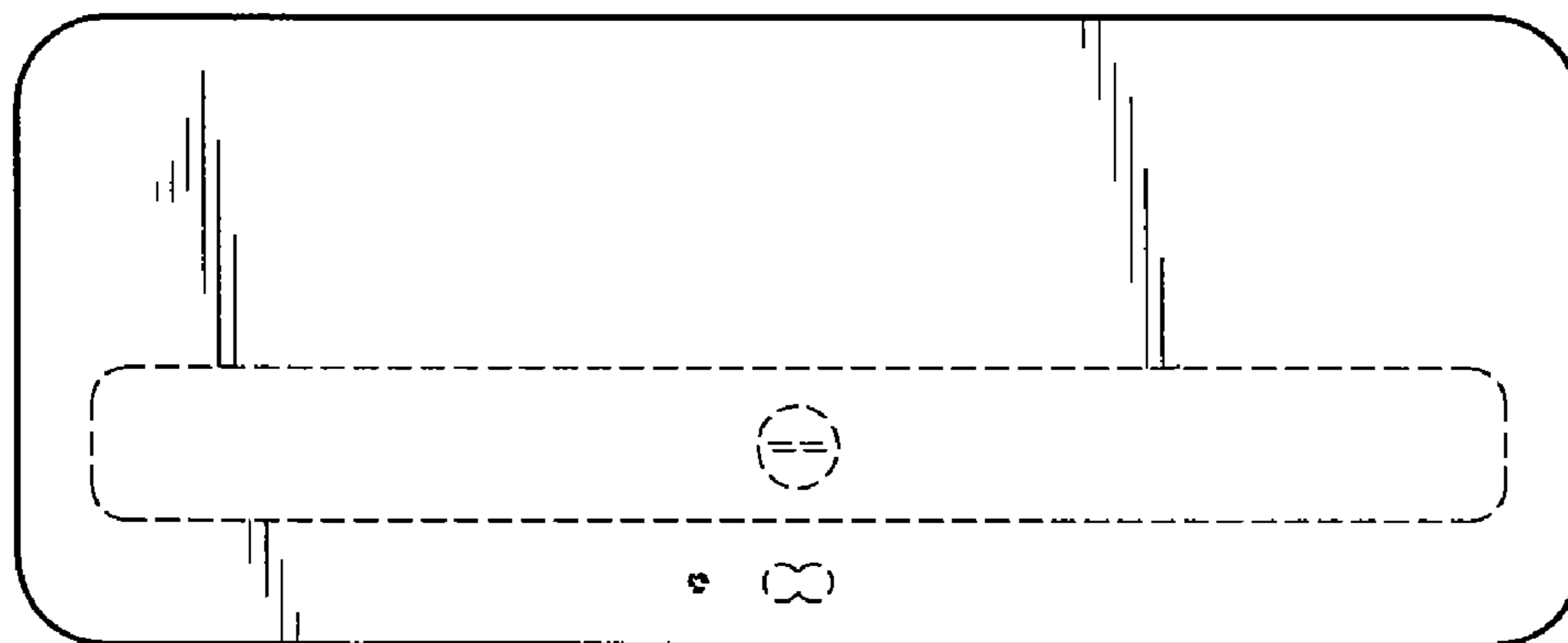
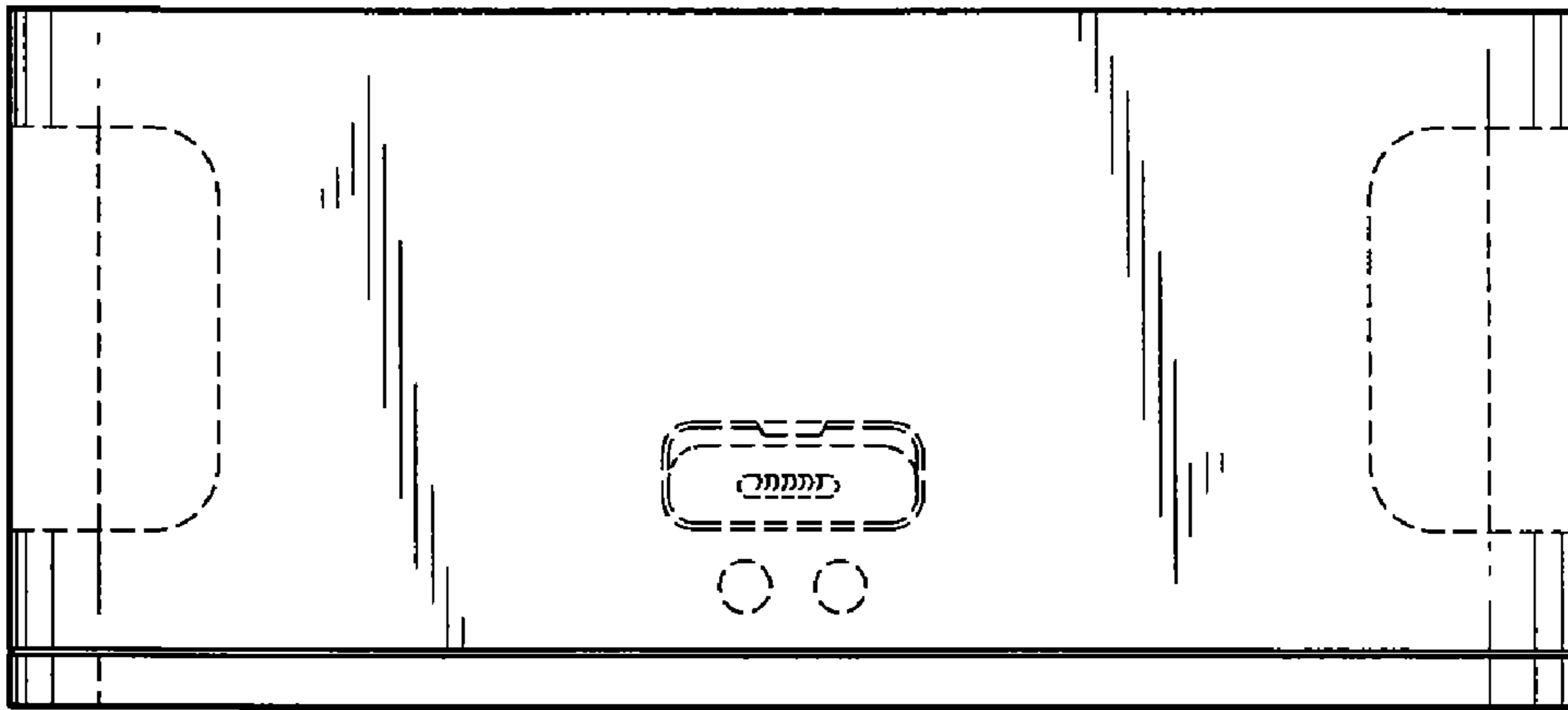
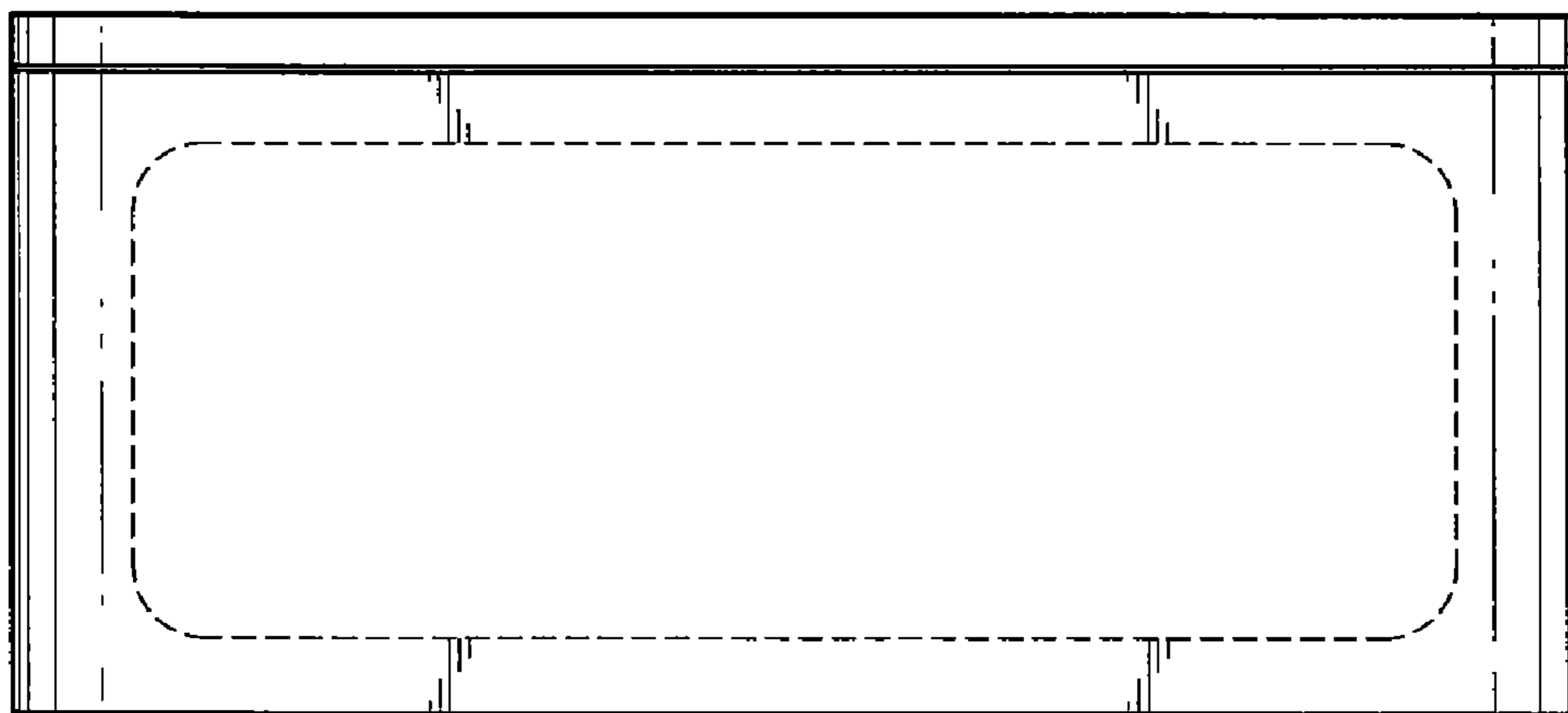


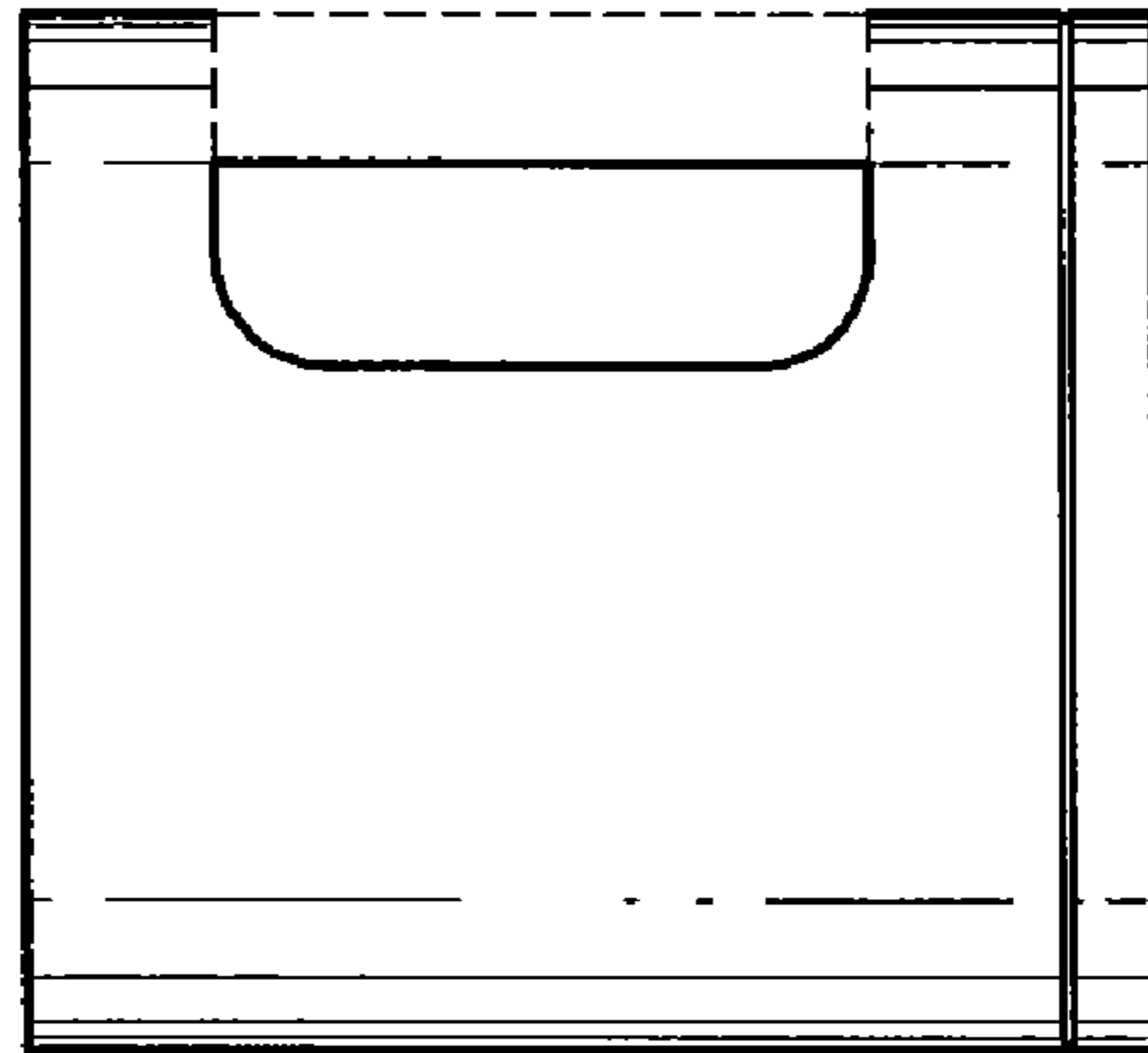
FIG. 4



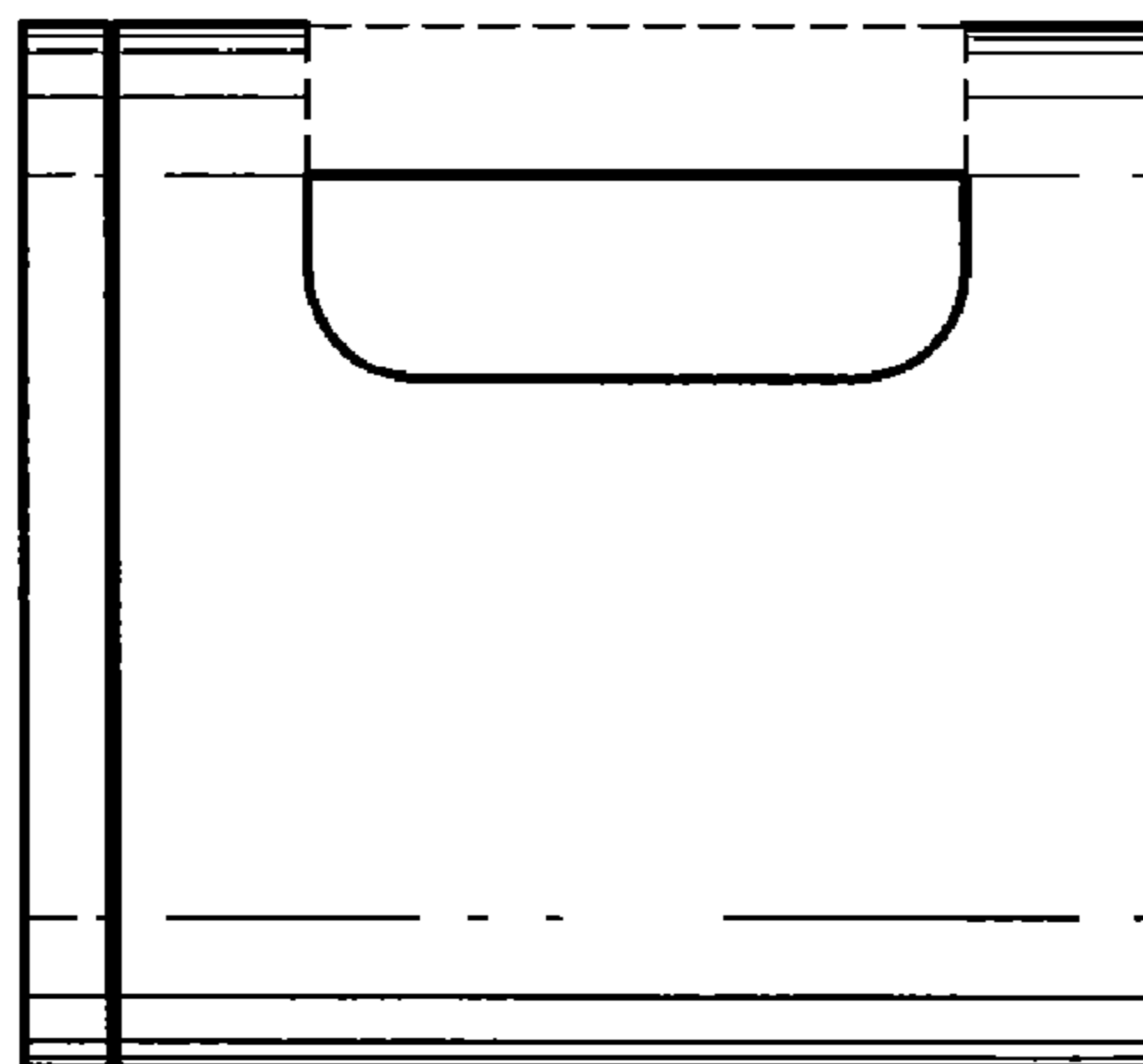
*FIG. 5*



*FIG. 6*



*FIG. 7*



*FIG. 8*

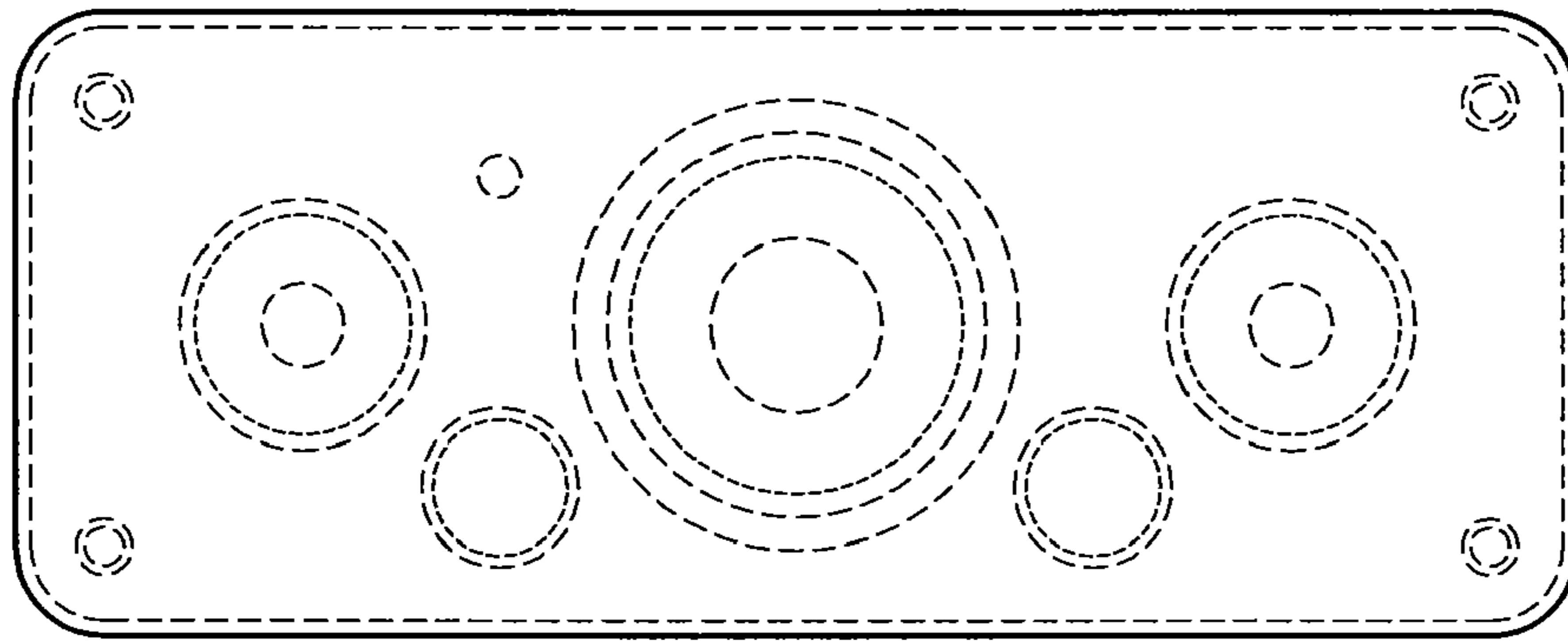


FIG. 9

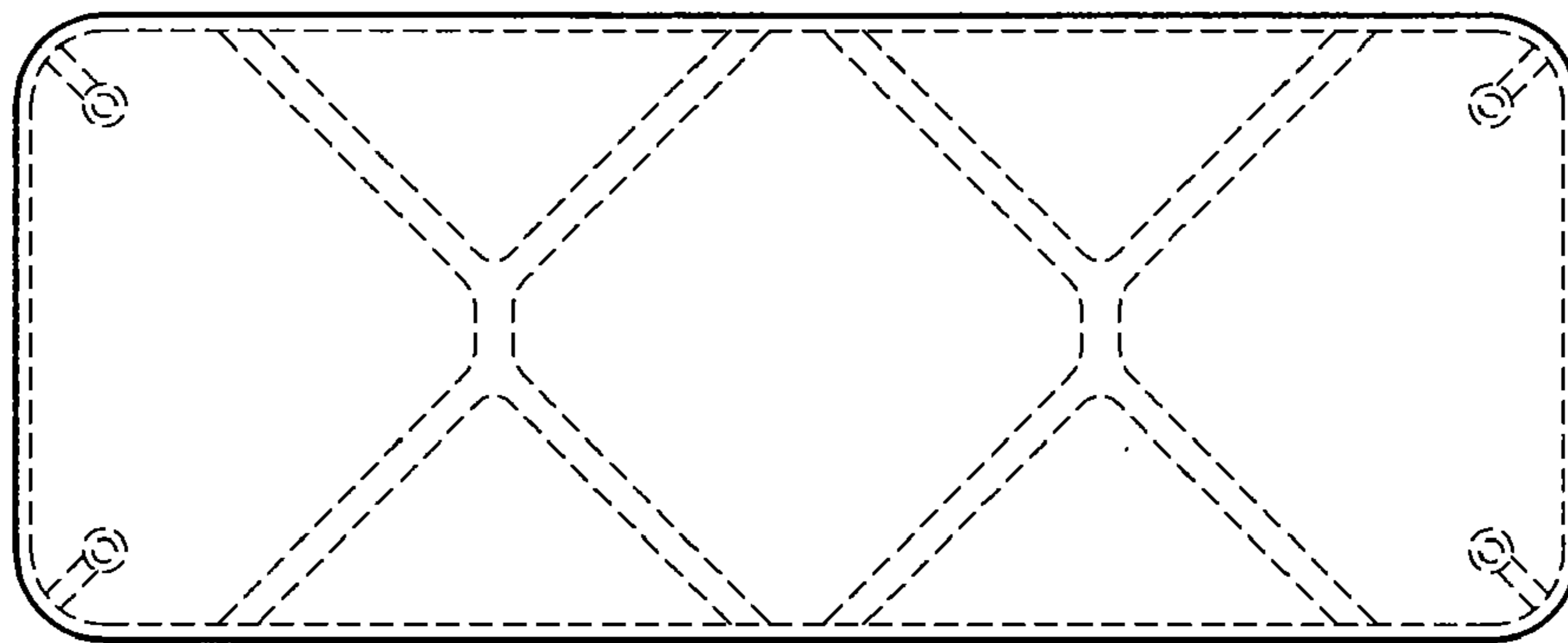


FIG. 10

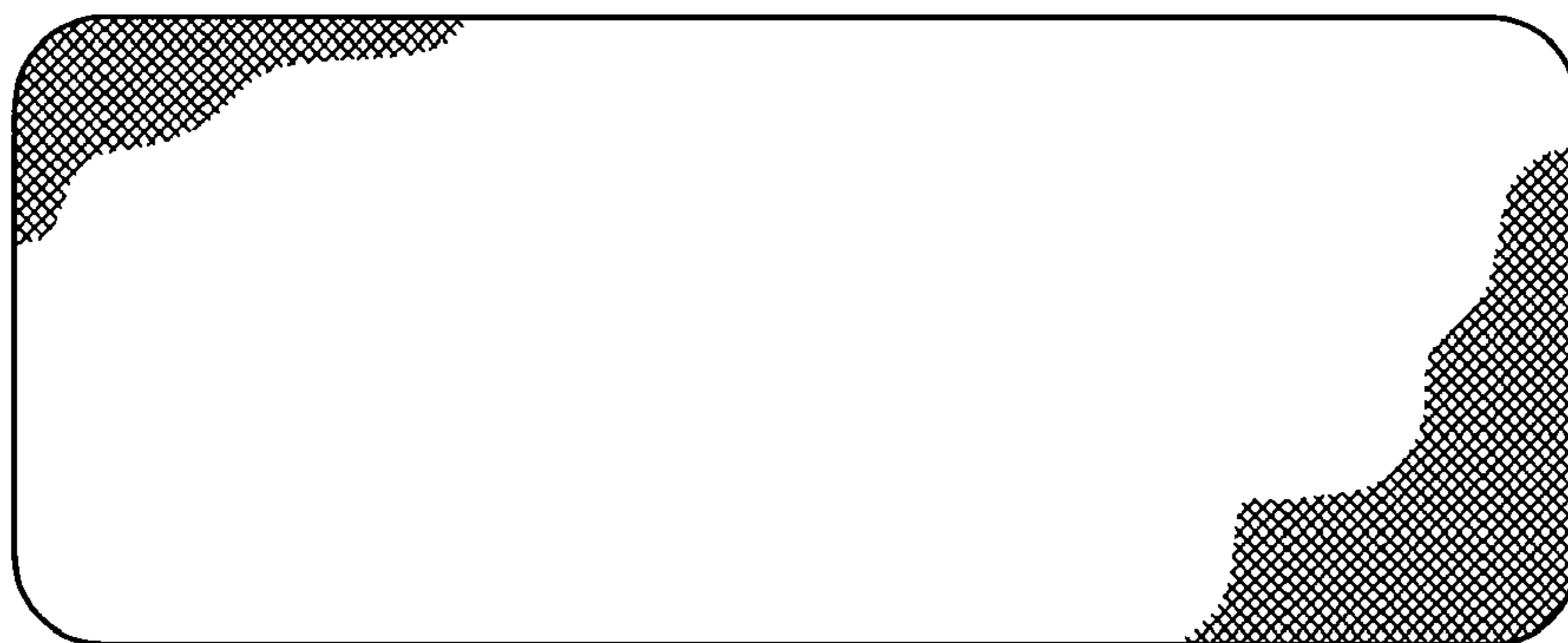
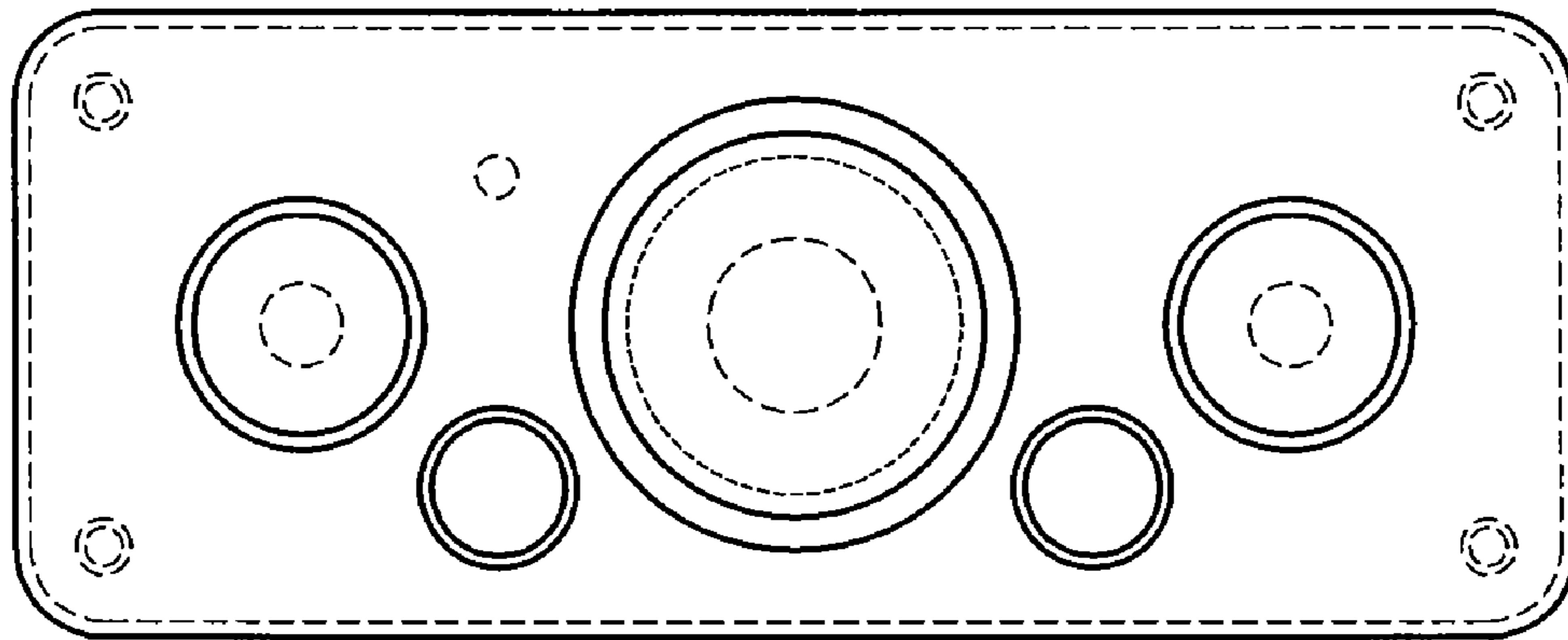
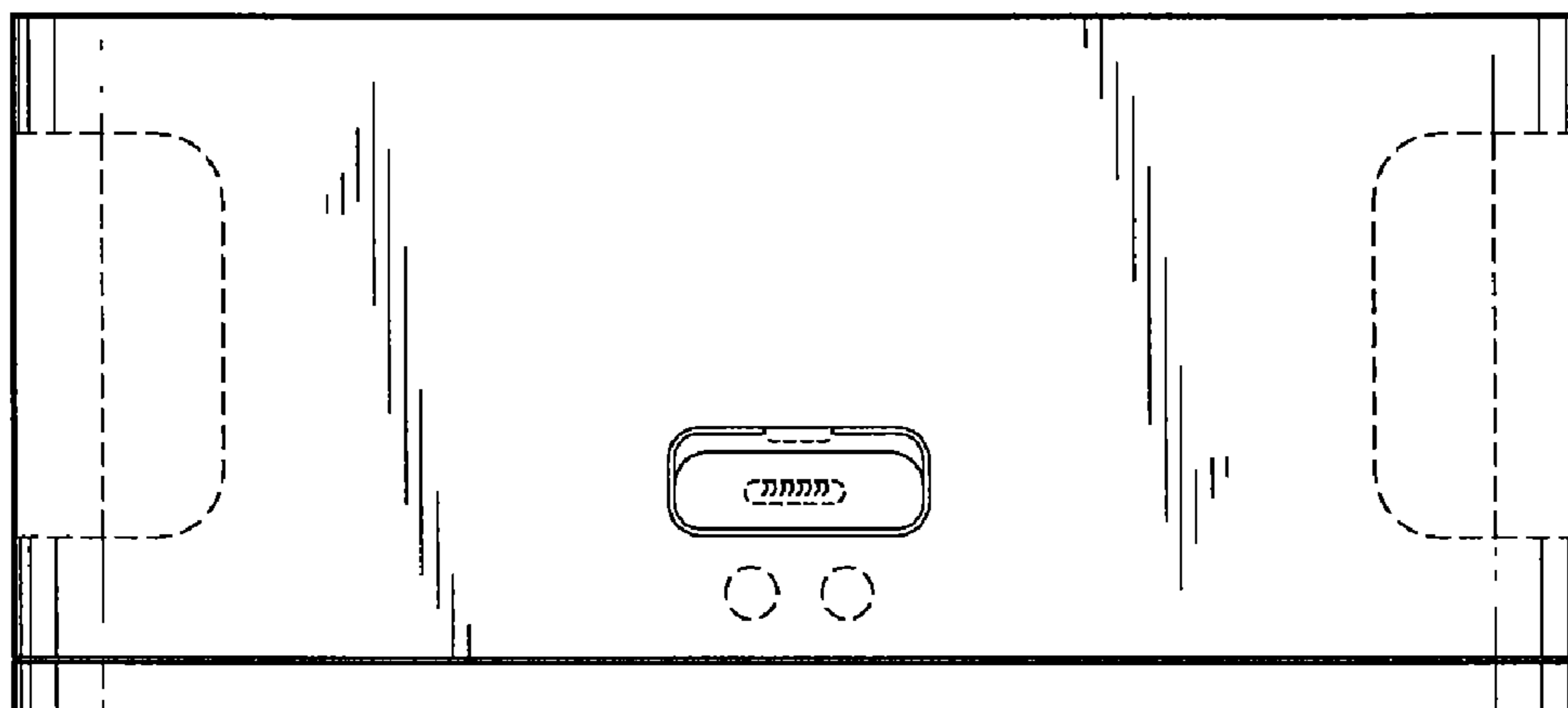


FIG. 11





*FIG. 12*



*FIG. 15*

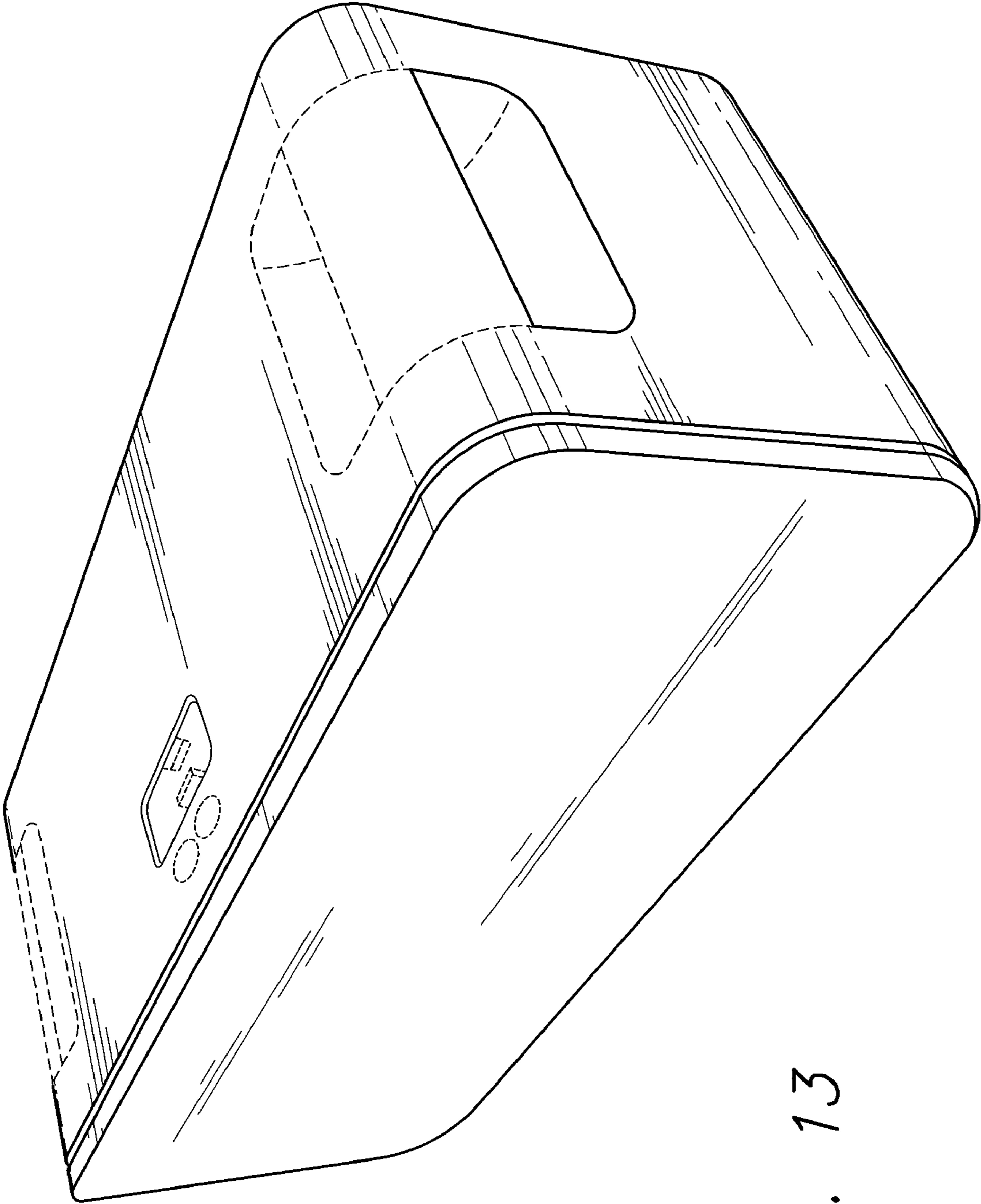


FIG. 13

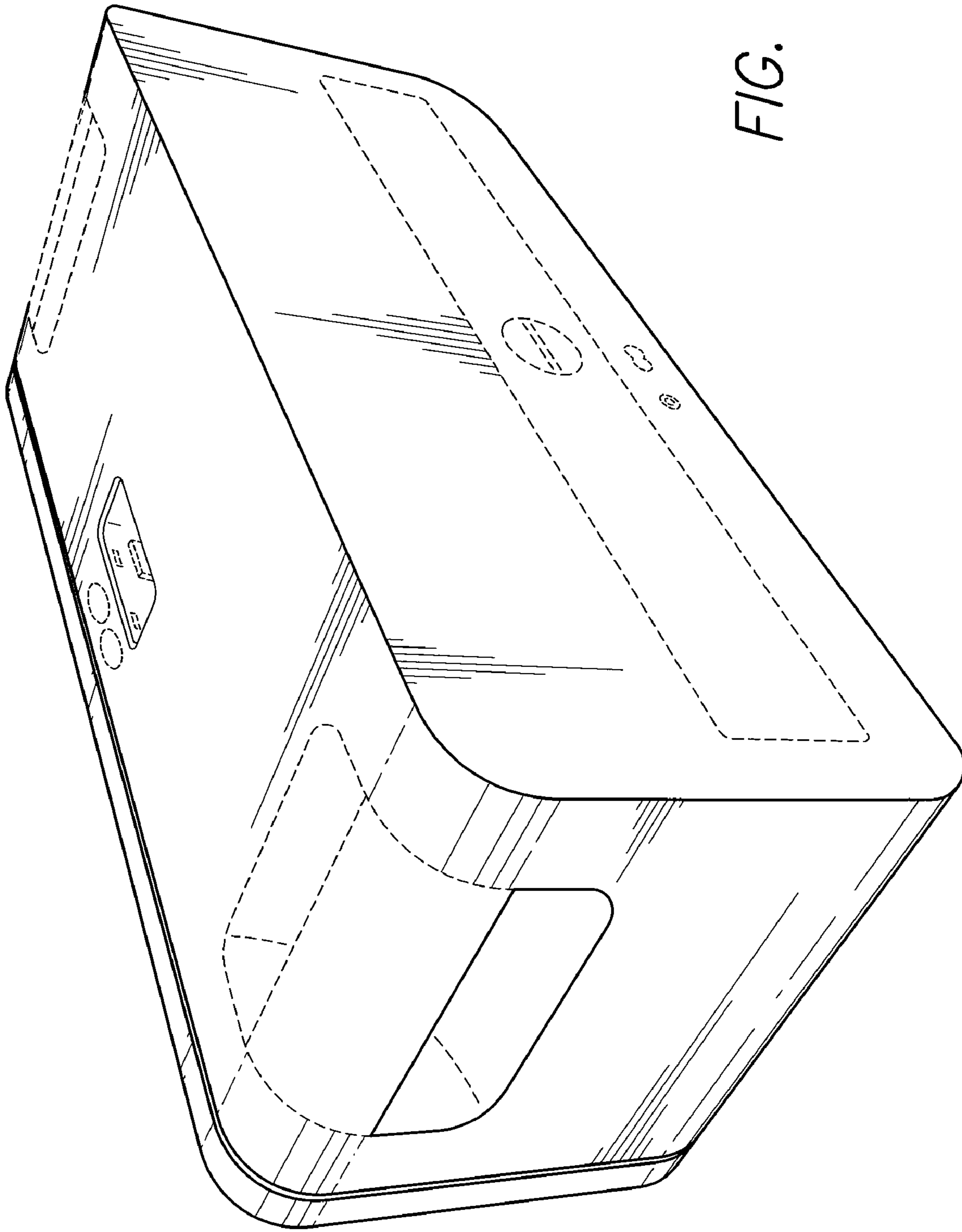


FIG. 14