



US00D581396S

(12) **United States Design Patent**  
**Wikel et al.**

(10) **Patent No.:** **US D581,396 S**

(45) **Date of Patent:** **\*\* Nov. 25, 2008**

(54) **USER INTERFACE**

(75) Inventors: **Harold L Wikel**, Muskego, WI (US);  
**Jon Godston**, Chicago, IL (US); **Ryan P Rye**, Duluth, GA (US)

(73) Assignee: **Motorola, Inc.**, Schaumburg, IL (US)

(\*\*) Term: **14 Years**

(21) Appl. No.: **29/296,658**

(22) Filed: **Oct. 25, 2007**

(51) **LOC (8) Cl.** ..... **14-01**

(52) **U.S. Cl.** ..... **D14/206**

(58) **Field of Classification Search** ..... D14/357,  
D14/205, 206, 223; 379/430; 181/129, 130,  
181/135, 149; 381/313, 328, 330, 380, 381,  
381/151, 173, 322, 370

See application file for complete search history.

(56) **References Cited**

**U.S. PATENT DOCUMENTS**

D468,728 S *	1/2003	Rath et al.	.....	D14/206
D509,210 S *	9/2005	Skulley et al.	.....	D14/206
D516,058 S *	2/2006	Garcia	.....	D14/206
D528,531 S *	9/2006	Rose et al.	.....	D14/206
D537,812 S *	3/2007	Erich et al.	.....	D14/206
D539,268 S *	3/2007	Suzuki	.....	D14/206

D542,267 S *	5/2007	Cha et al.	.....	D14/206
D556,735 S *	12/2007	Yeo	.....	D14/206
D561,739 S *	2/2008	Ikeda et al.	.....	D14/206
D566,099 S *	4/2008	Komiyama	.....	D14/206

\* cited by examiner

*Primary Examiner*—Brian N Vinson

(74) *Attorney, Agent, or Firm*—Hisashi D. Watanabe

(57) **CLAIM**

The ornamental design for a user interface, as shown and described.

**DESCRIPTION**

FIG. 1 is a perspective view of a user interface showing our new design;

FIG. 2 is a top plan view thereof;

FIG. 3 is a bottom plan view thereof;

FIG. 4 is a side elevational view thereof;

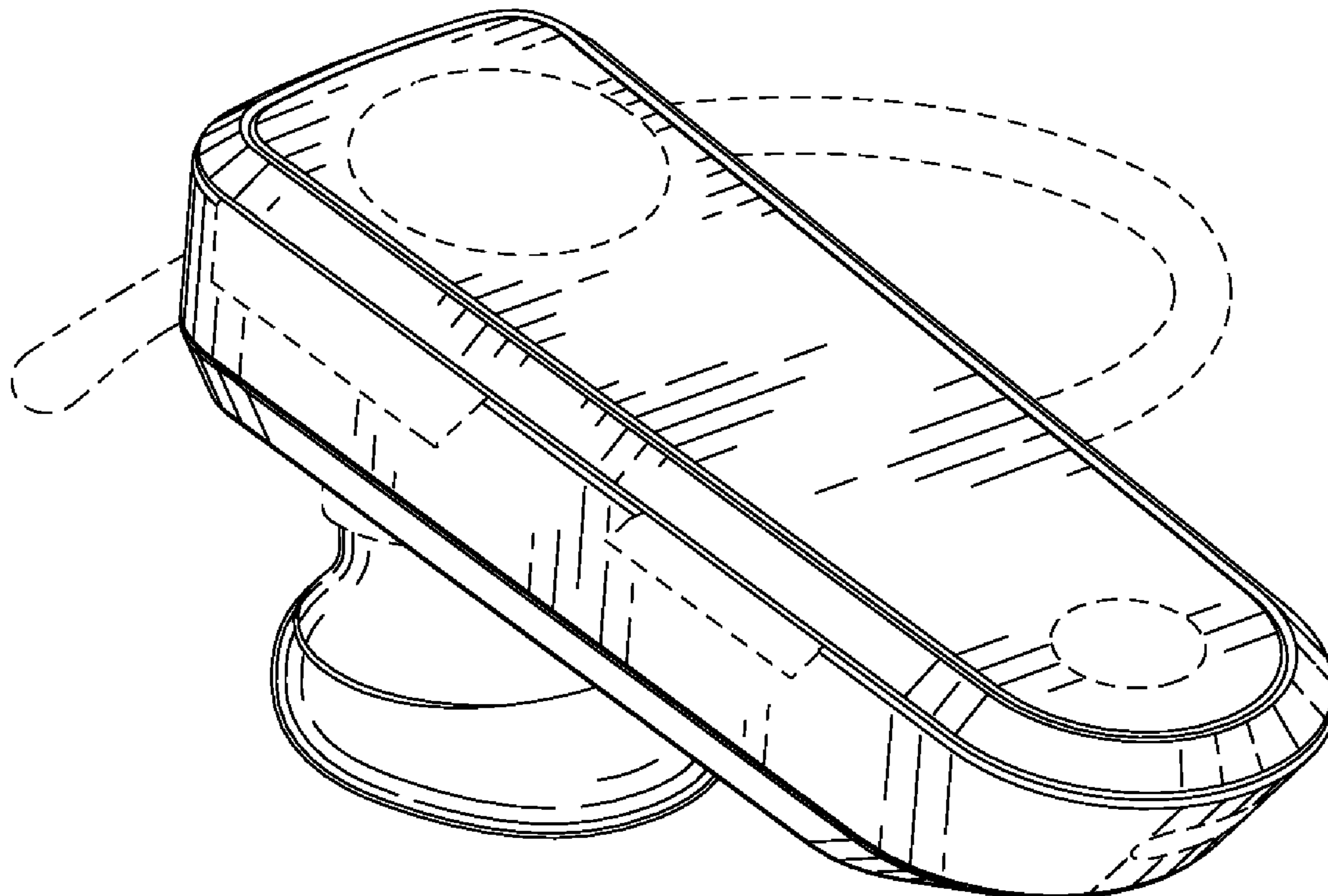
FIG. 5 is an opposite side elevational view thereof;

FIG. 6 is a rear elevational view thereof; and,

FIG. 7 is a front elevational view thereof.

The broken-line disclosure in the views is for illustrative purposes only and forms no part of the claimed design.

**1 Claim, 5 Drawing Sheets**



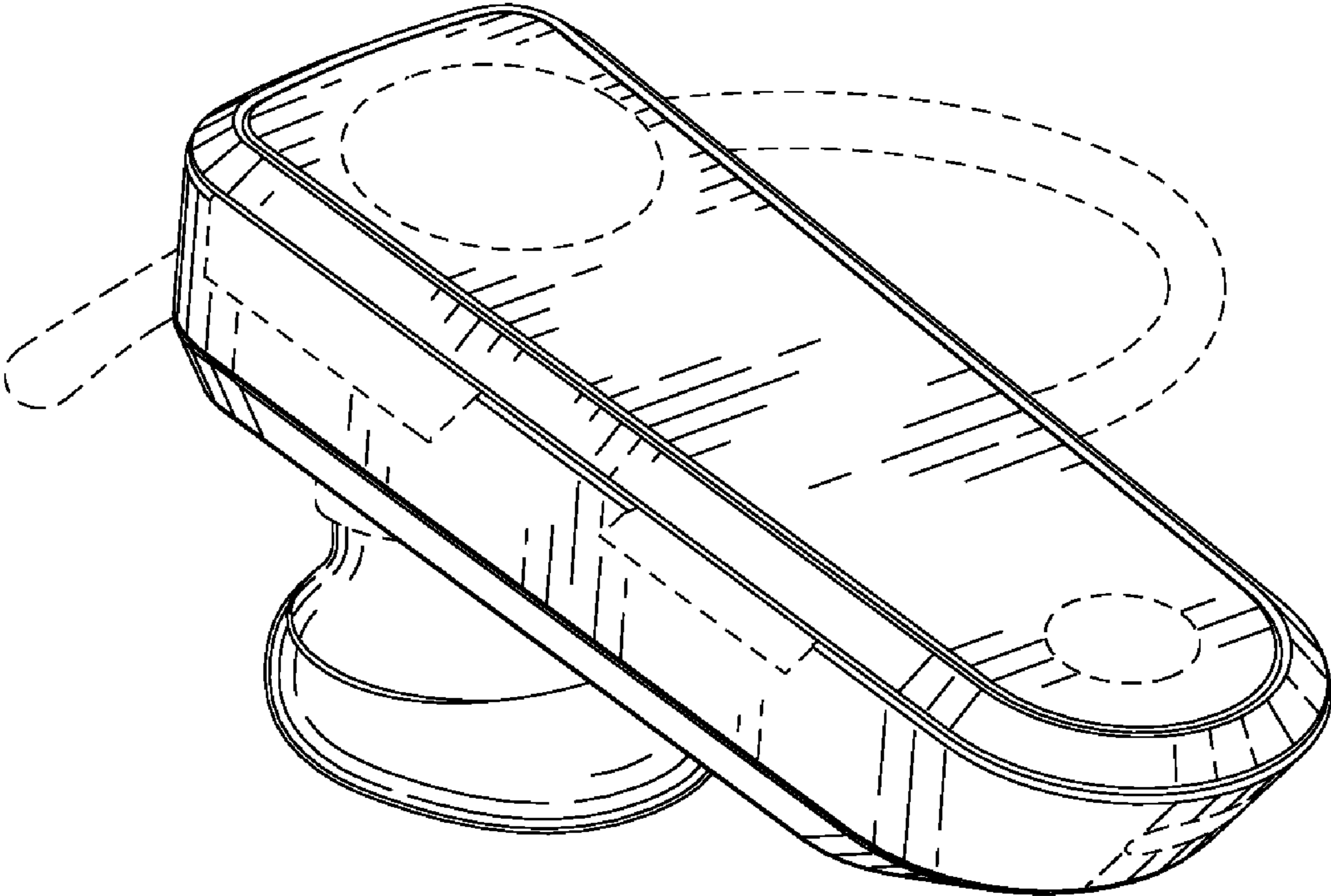


FIG. 1

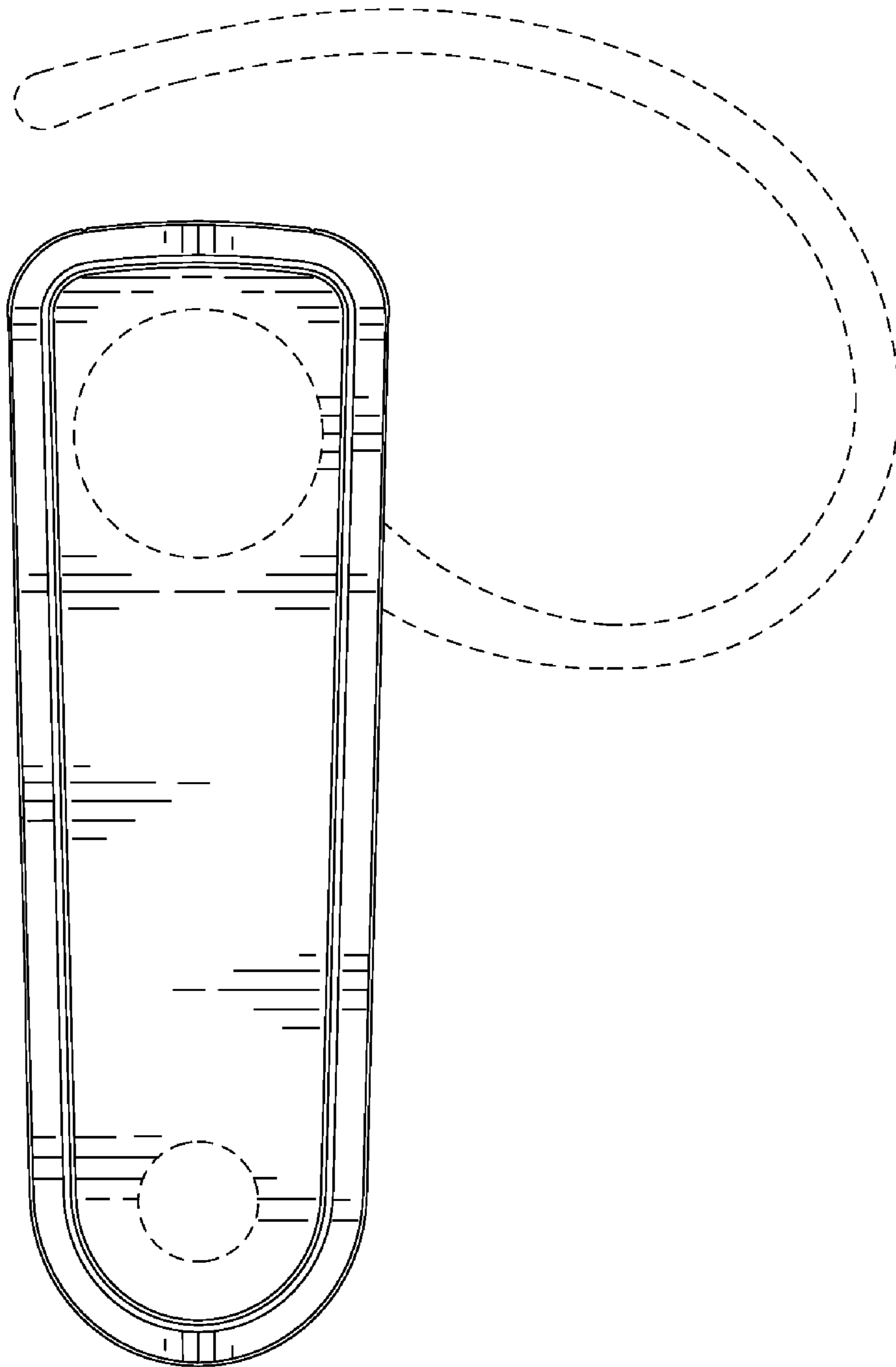


FIG. 2

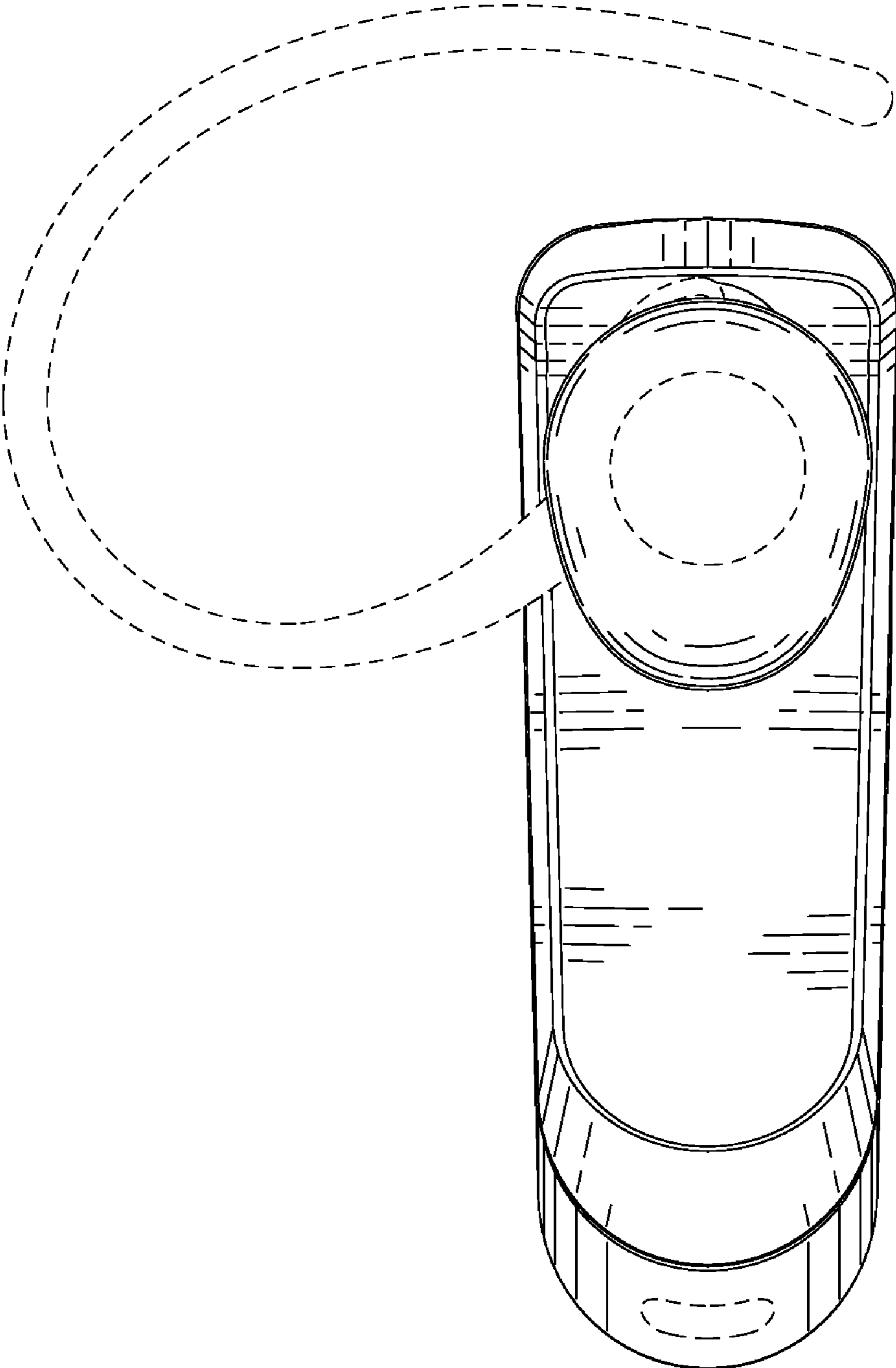


FIG. 3

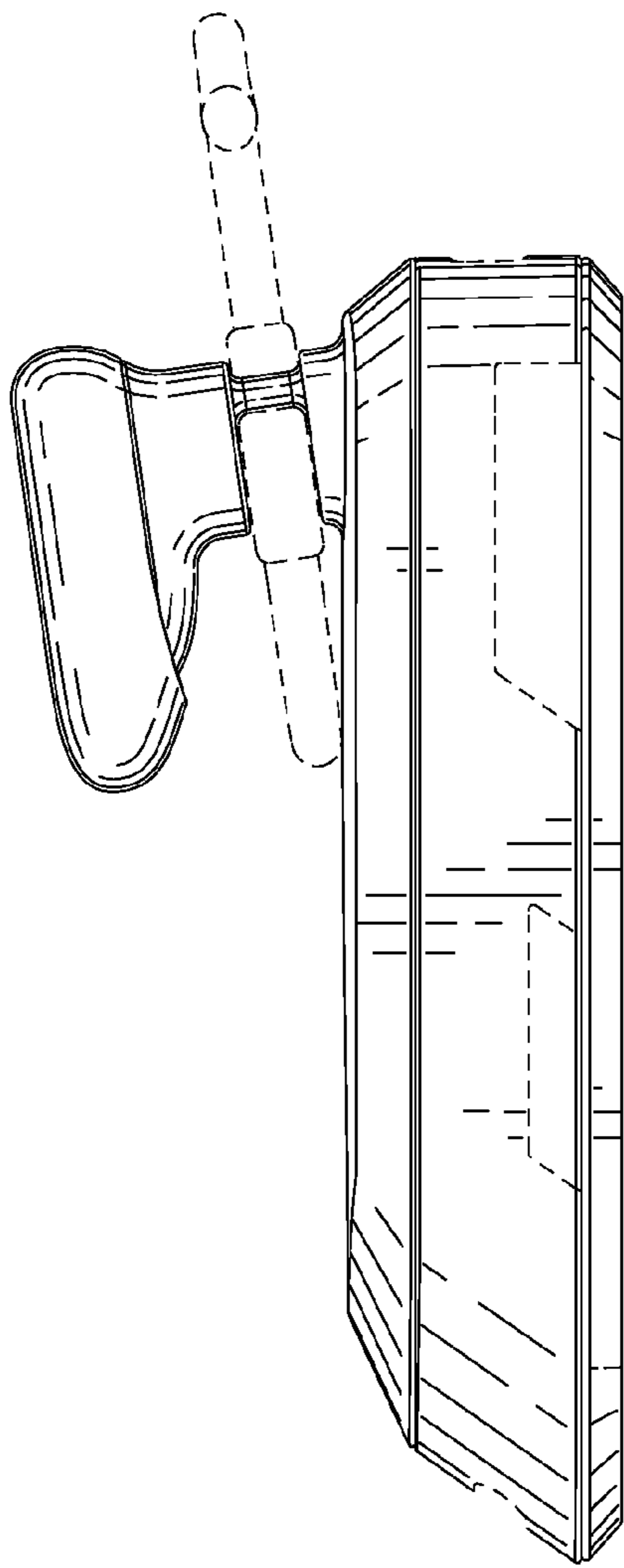


FIG. 4

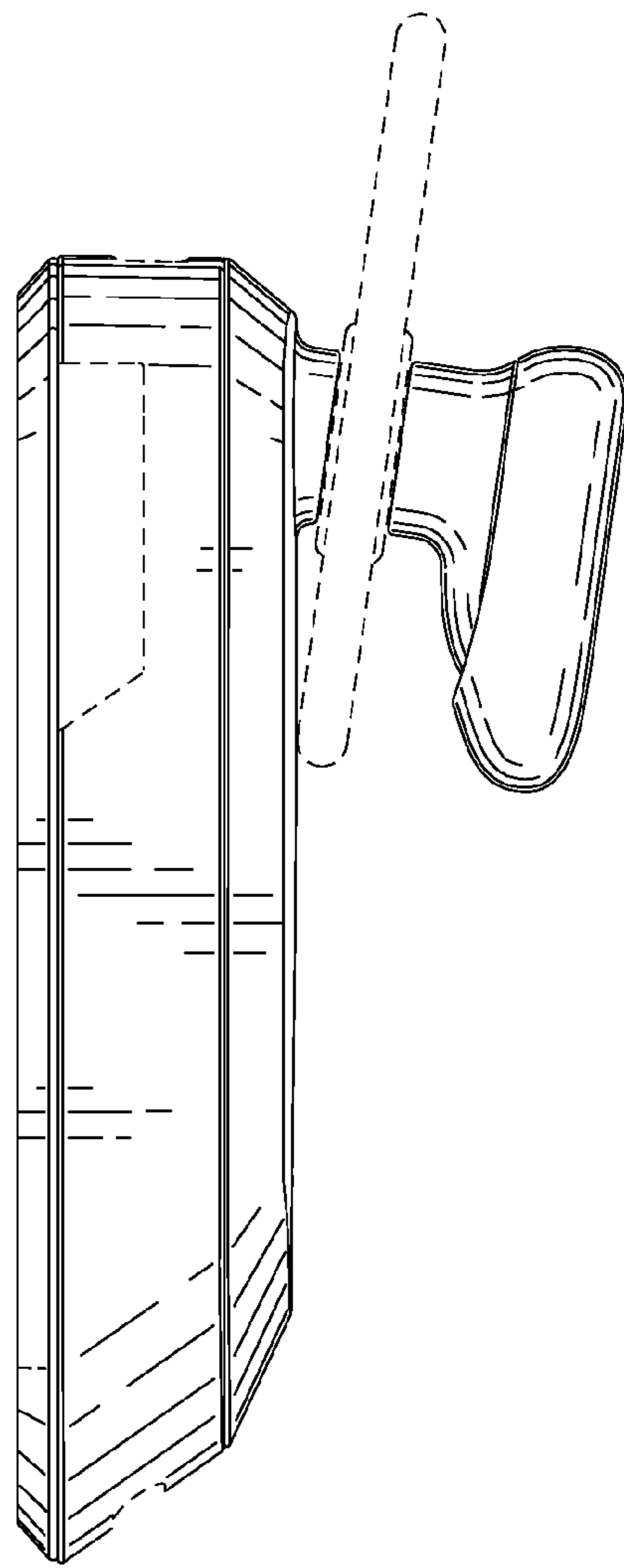


FIG. 5

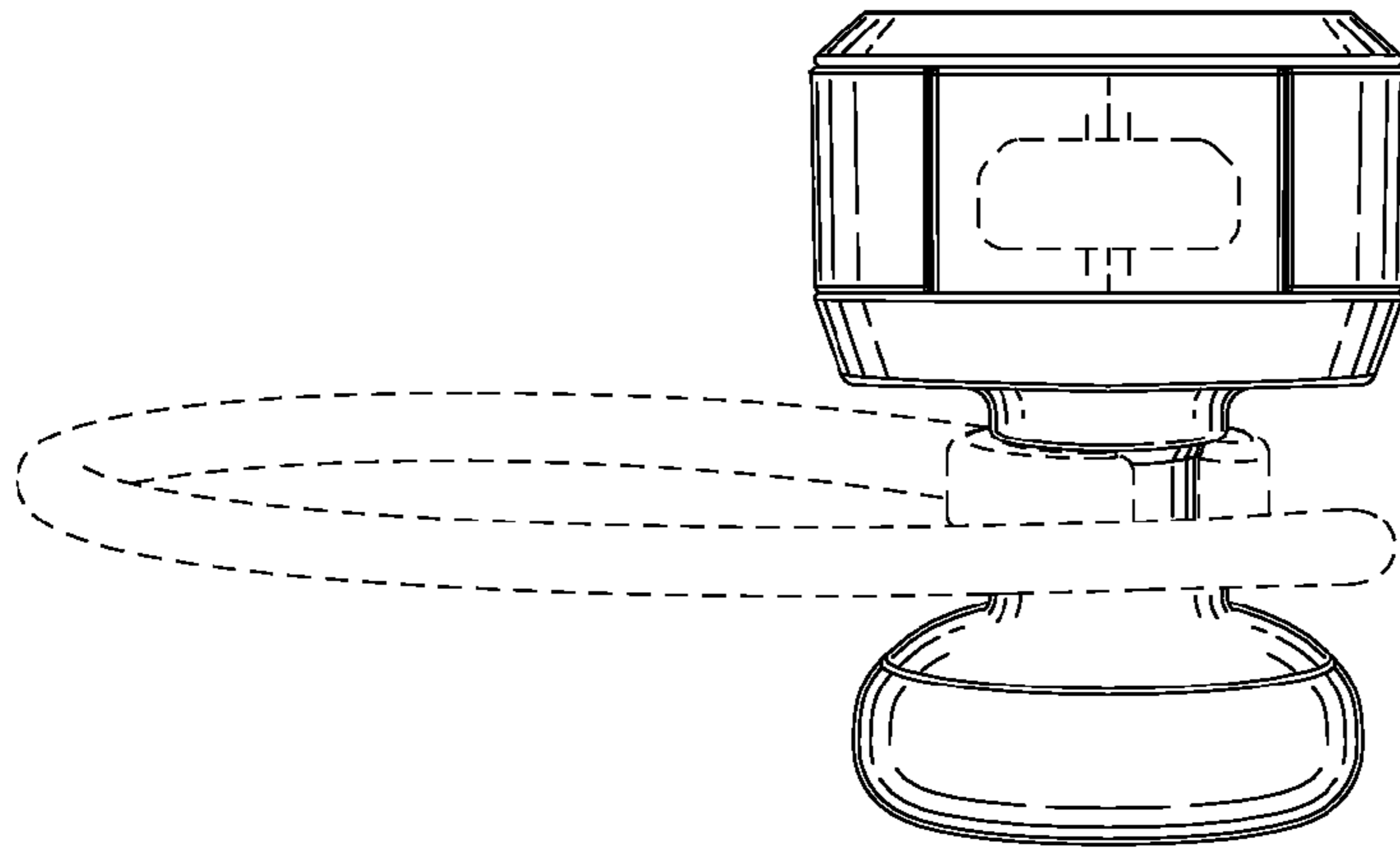


FIG. 6

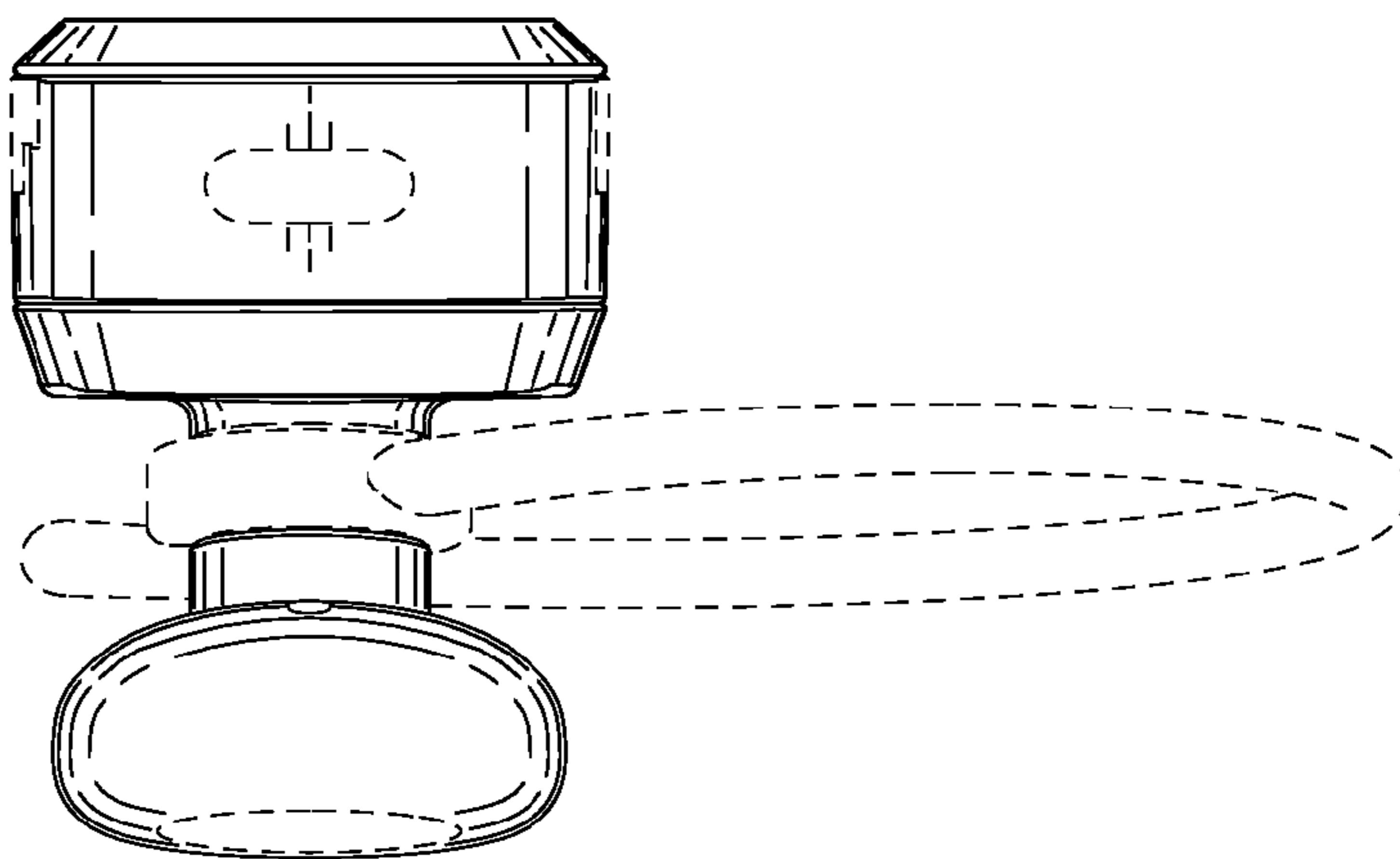


FIG. 7