



US00D581395S

(12) **United States Design Patent**
Säde et al.

(10) **Patent No.:** **US D581,395 S**
(45) **Date of Patent:** **** Nov. 25, 2008**

(54) **HEADSET**

(75) Inventors: **Heli Säde**, Salo (FI); **Sami Lehtovaara**,
Masku (FI)

(73) Assignee: **Nokia Corporation**, Espoo (FI)

(**) Term: **14 Years**

(21) Appl. No.: **29/295,581**

(22) Filed: **Oct. 2, 2007**

(30) **Foreign Application Priority Data**

Apr. 2, 2007 (FI) M20070062

(51) **LOC (8) Cl.** **14-01**

(52) **U.S. Cl.** **D14/205; D14/223**

(58) **Field of Classification Search** D14/205,
D14/206, 223; 181/129–130, 135; 379/430,
379/433.01, 433.04, 433.03; 381/379, 380,
381/381, 374

See application file for complete search history.

(56) **References Cited**

U.S. PATENT DOCUMENTS

4,020,297 A * 4/1977 Brodie 379/430
D311,521 S * 10/1990 Jonsson et al. D14/226
D465,209 S * 11/2002 Rath D14/206
D523,845 S * 6/2006 Smith et al. D14/205
D556,740 S * 12/2007 Xavier D14/223

D559,837 S * 1/2008 Nakano D14/223
D561,738 S * 2/2008 Ikeda et al. D14/205
D562,808 S * 2/2008 Gwee D14/223
D565,024 S * 3/2008 Kim et al. D14/205
D566,104 S * 4/2008 Suzuki D14/223

* cited by examiner

Primary Examiner—Paula Greene

(74) *Attorney, Agent, or Firm*—Banner & Witcoff, Ltd.

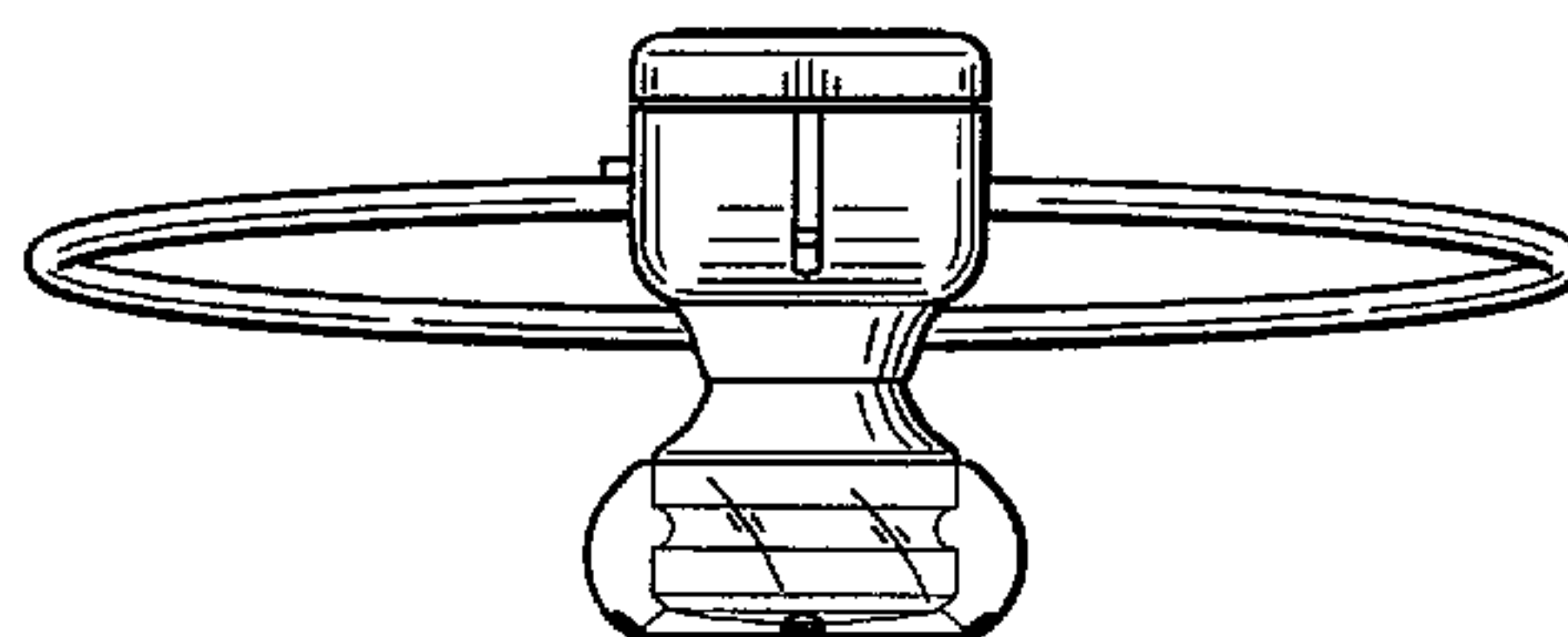
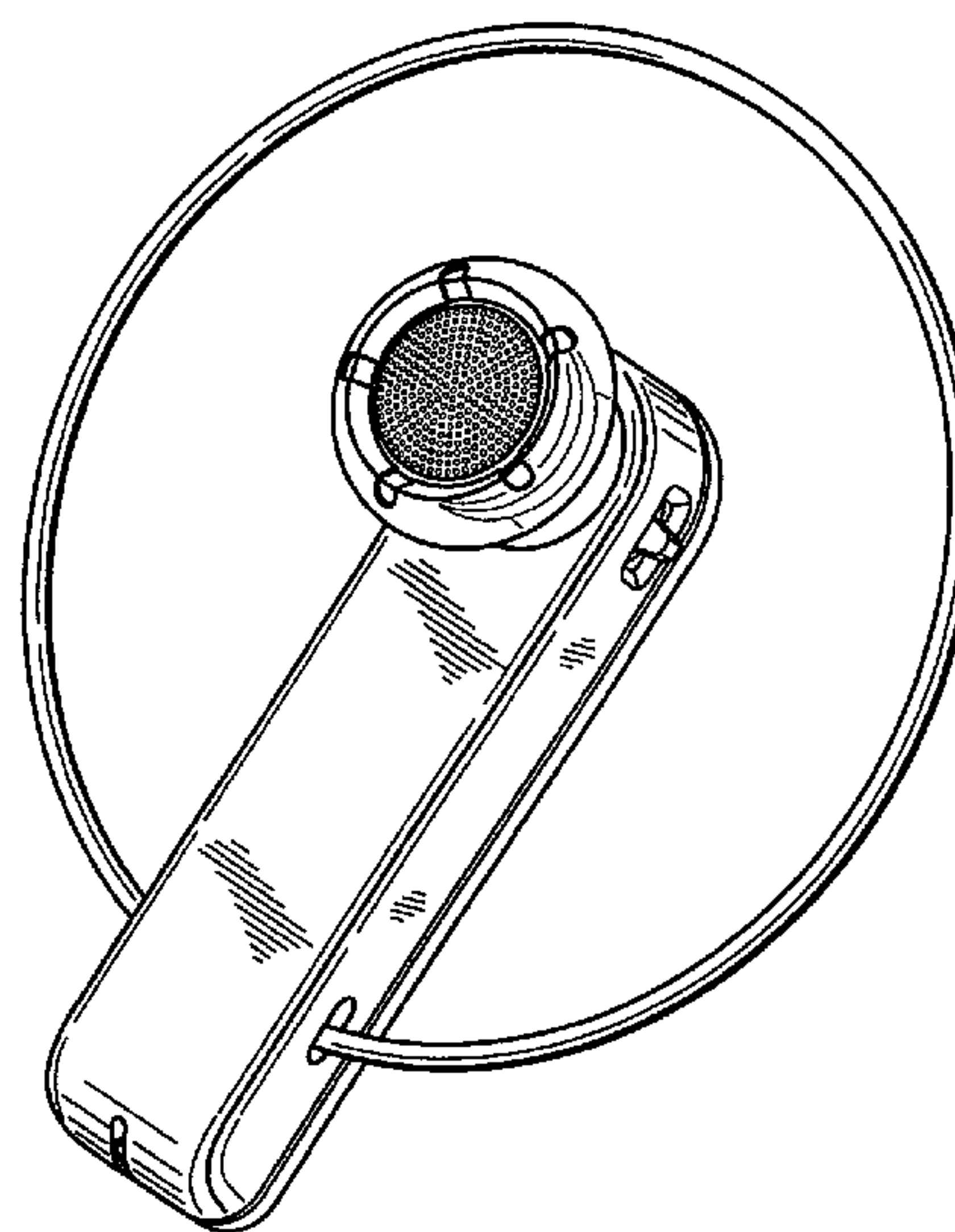
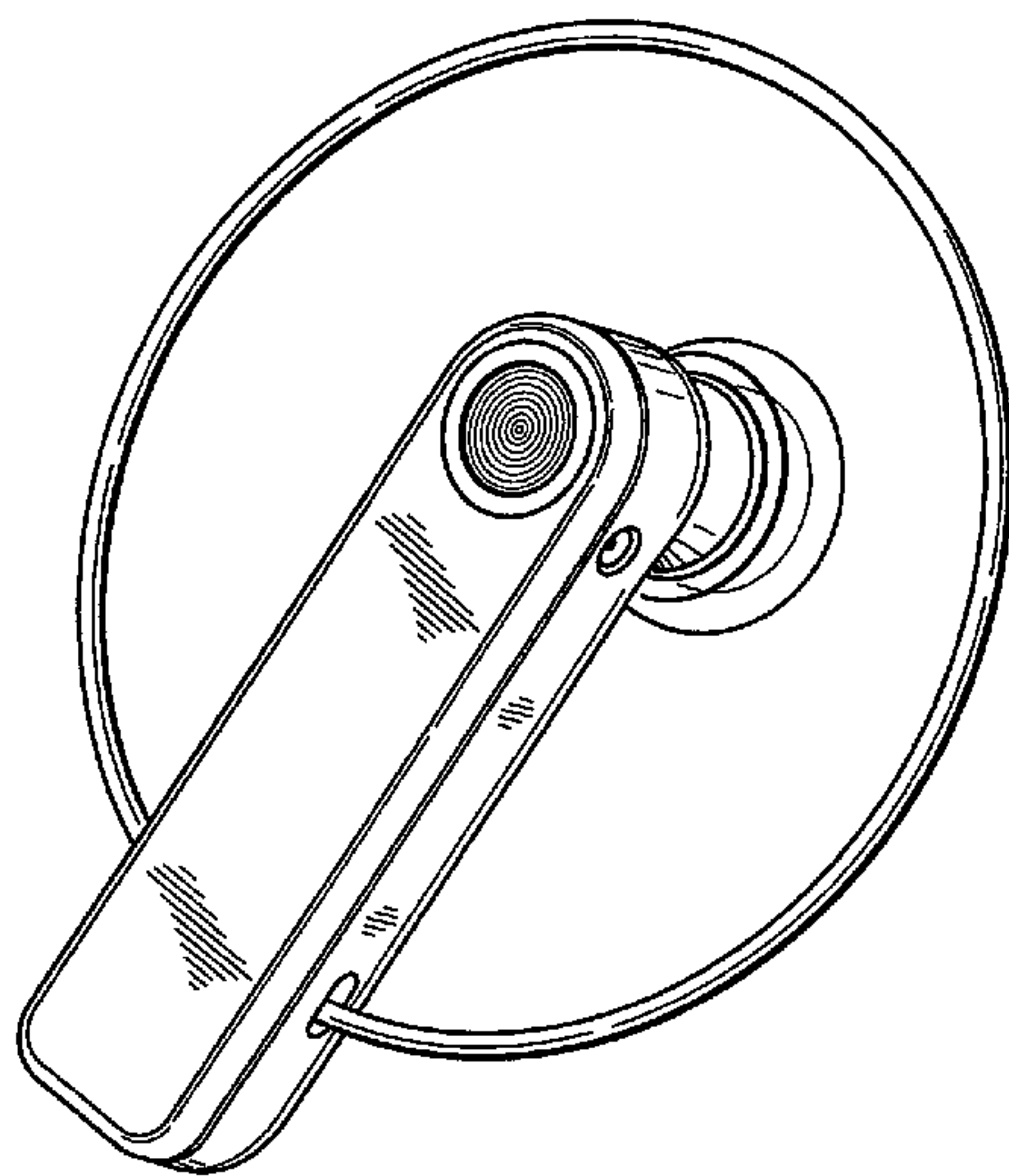
(57) **CLAIM**

The ornamental design of a headset, as shown and described.

DESCRIPTION

FIG. 1 is a front view of a headset showing our new design;
FIG. 2 is a rear view thereof;
FIG. 3 is a front perspective view thereof;
FIG. 4 is a rear perspective view thereof;
FIG. 5 is a left side view thereof;
FIG. 6 is a right side view thereof;
FIG. 7 is a top view thereof;
FIG. 8 is a bottom view thereof;
FIG. 9 is a front view of the headset of FIGS. 1–8 showing our
new design with a ring in an in-use open position; and,
FIG. 10 is a rear view thereof.

1 Claim, 4 Drawing Sheets



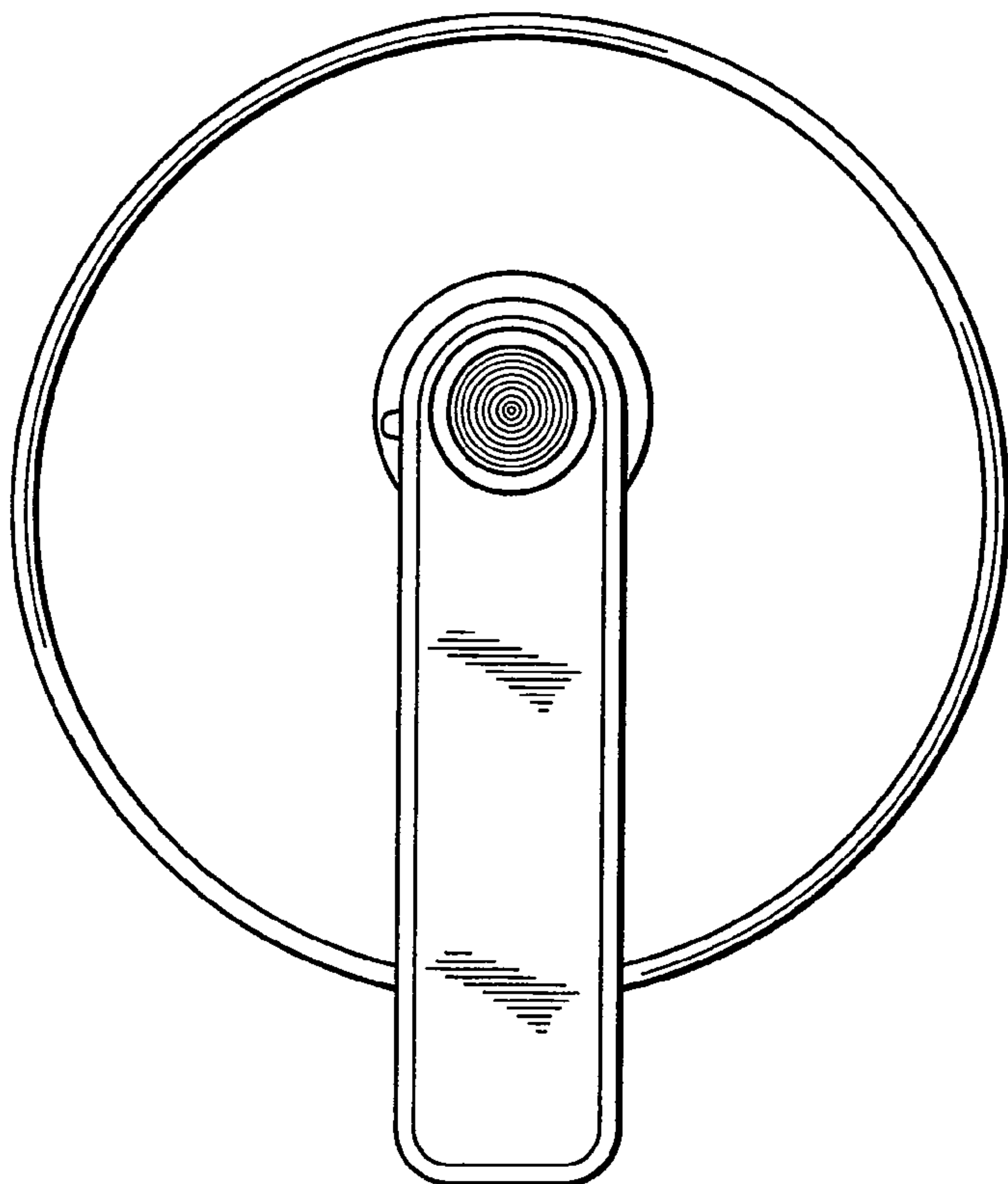


Fig. 1

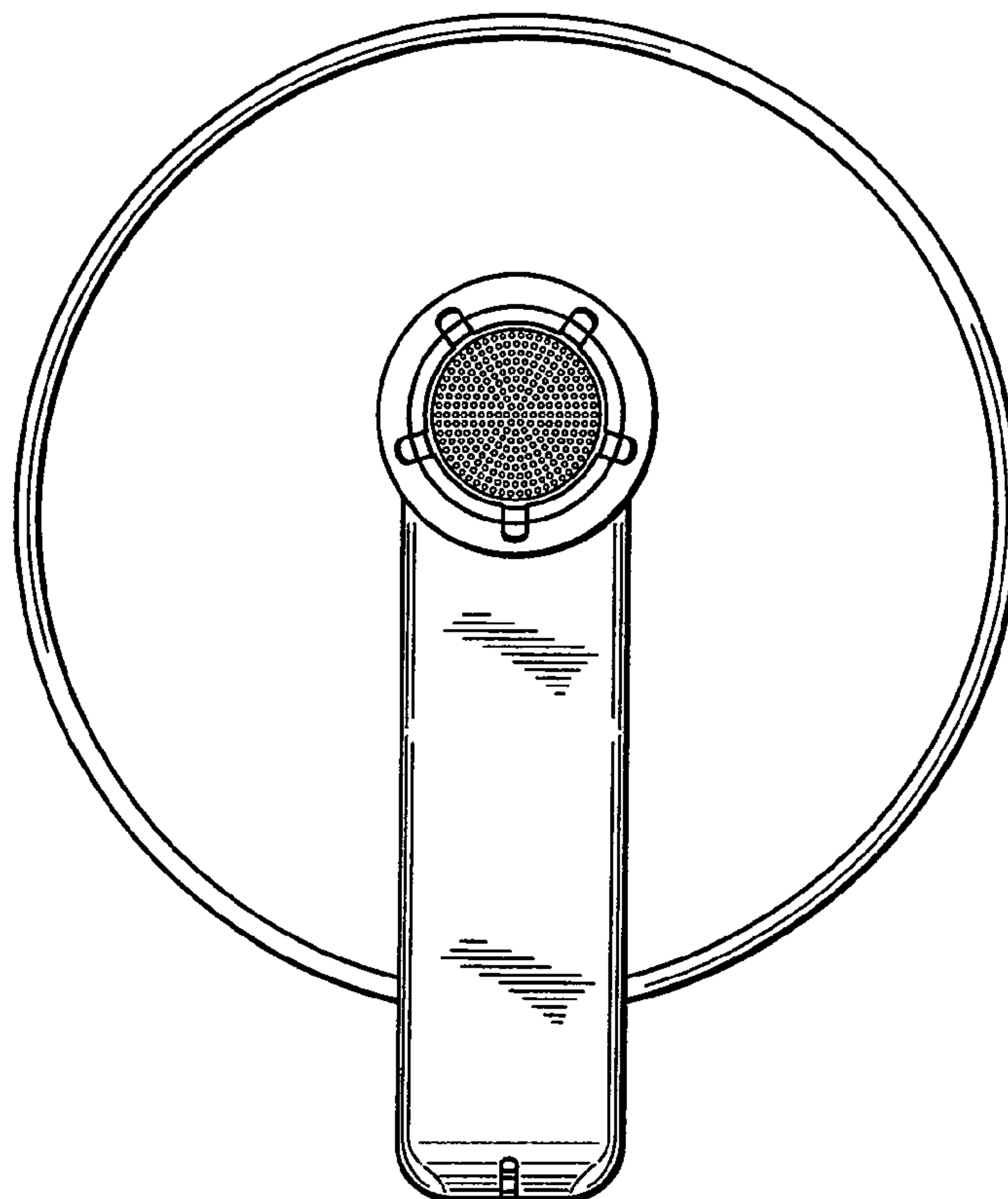


Fig. 2

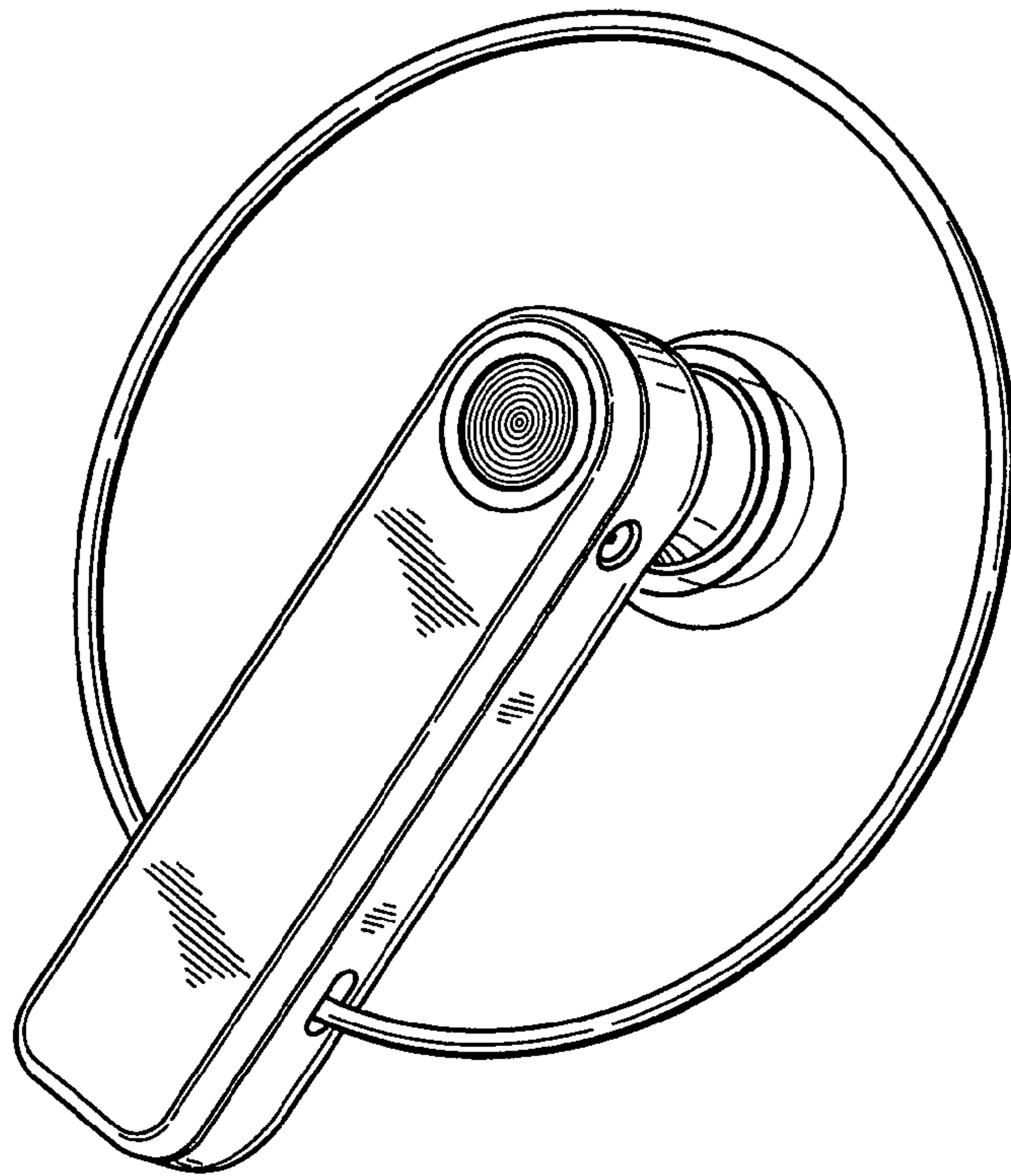


Fig. 3

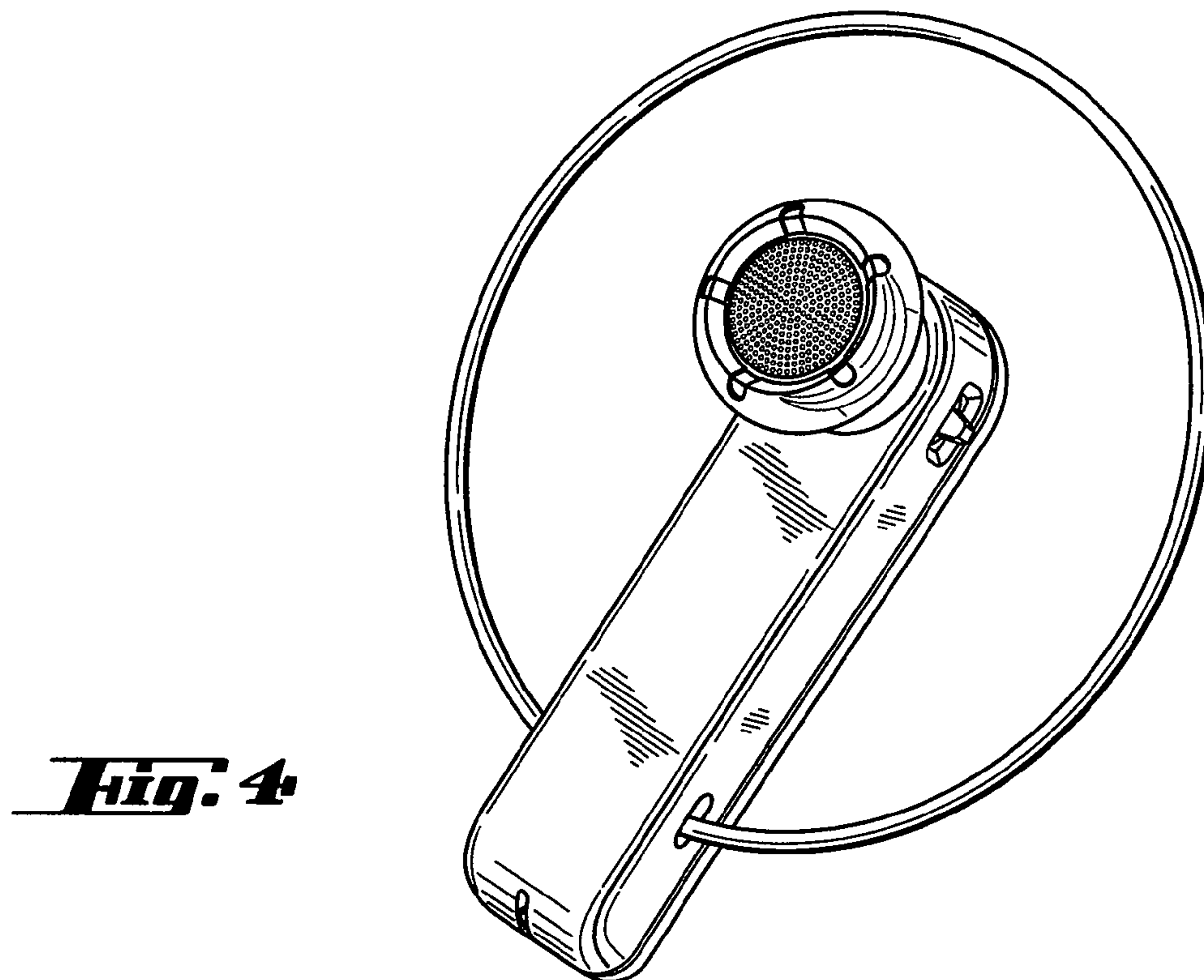


Fig. 4

Fig. 5

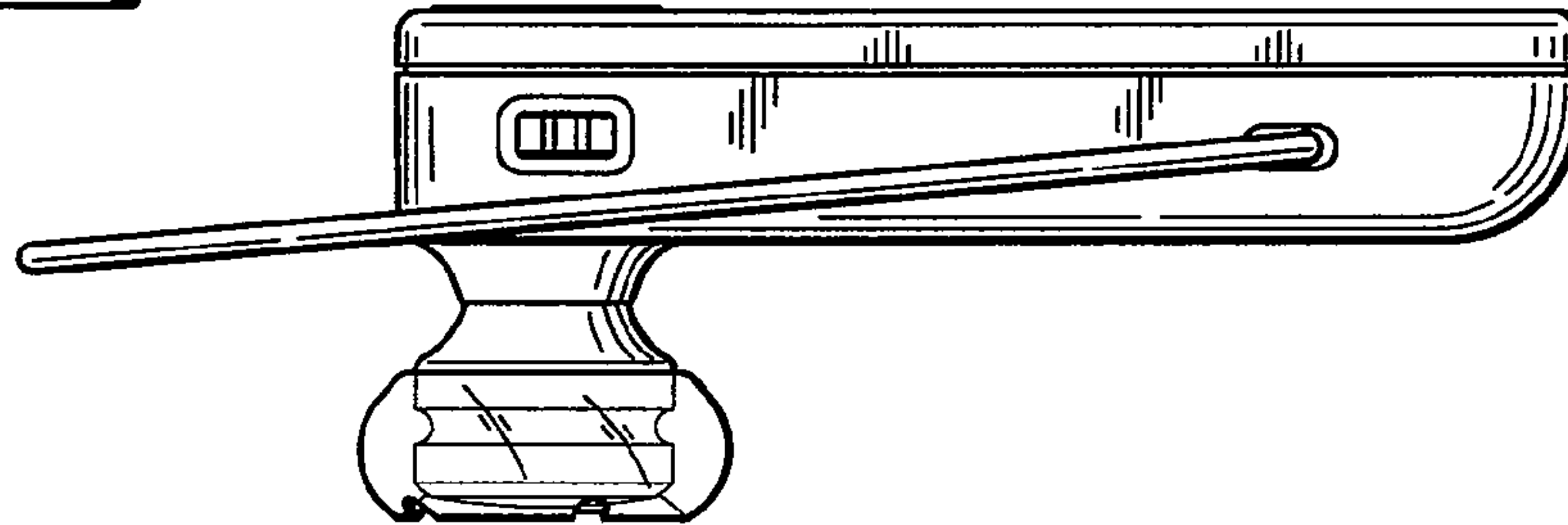


Fig. 6

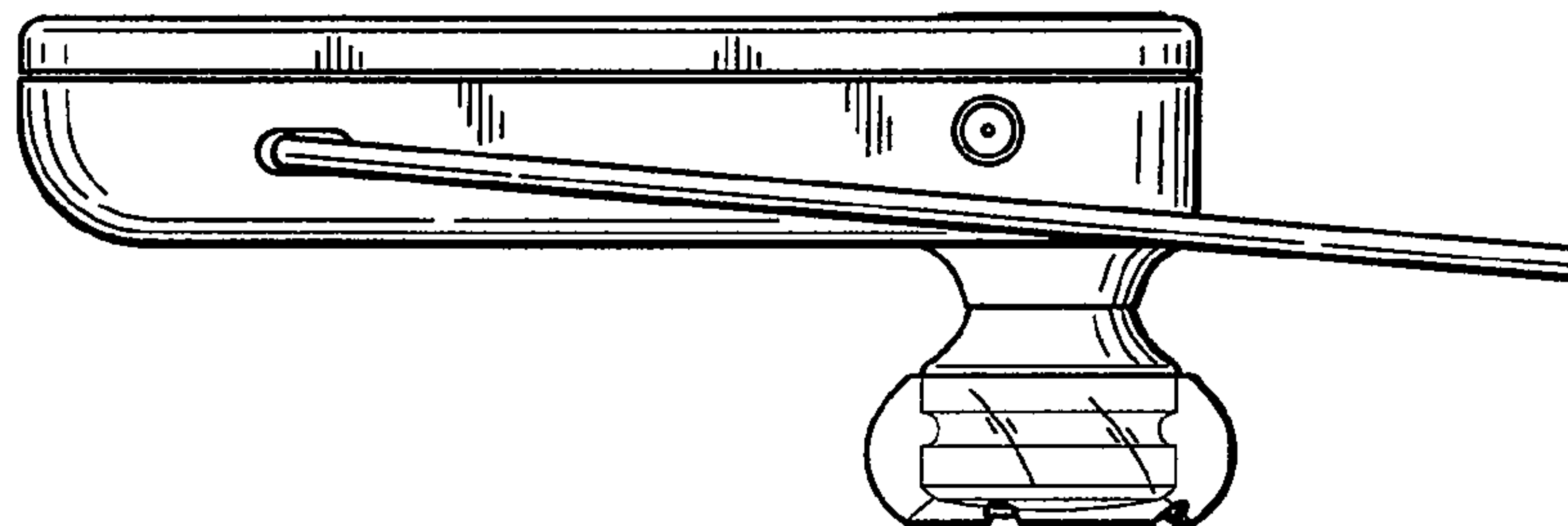


Fig. 7

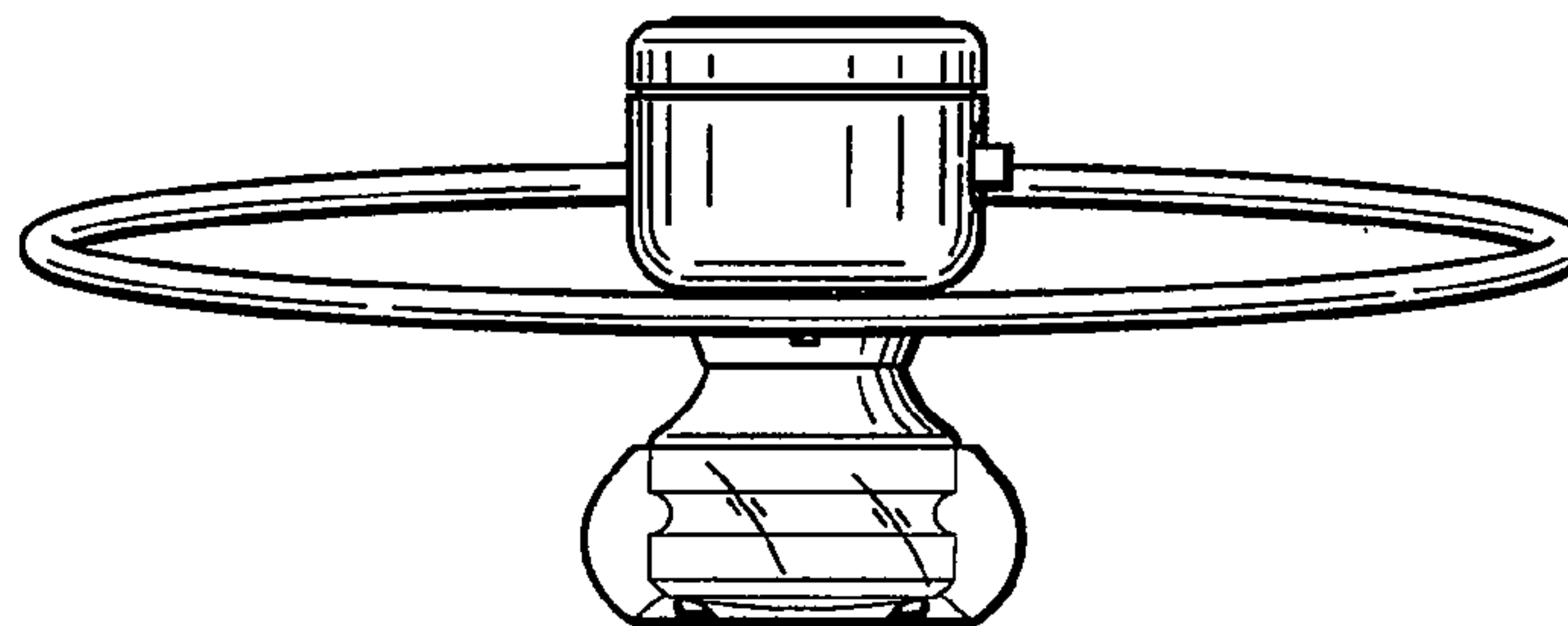


Fig. 8

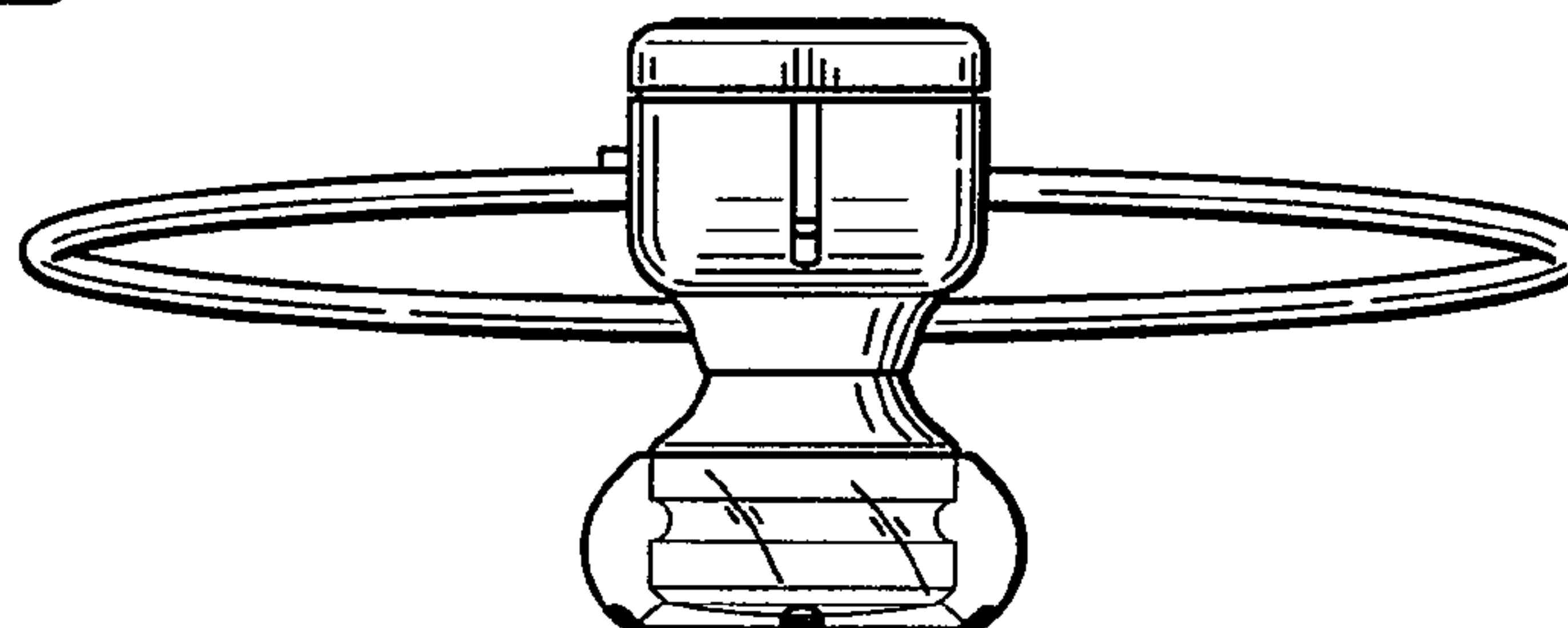


Fig. 9

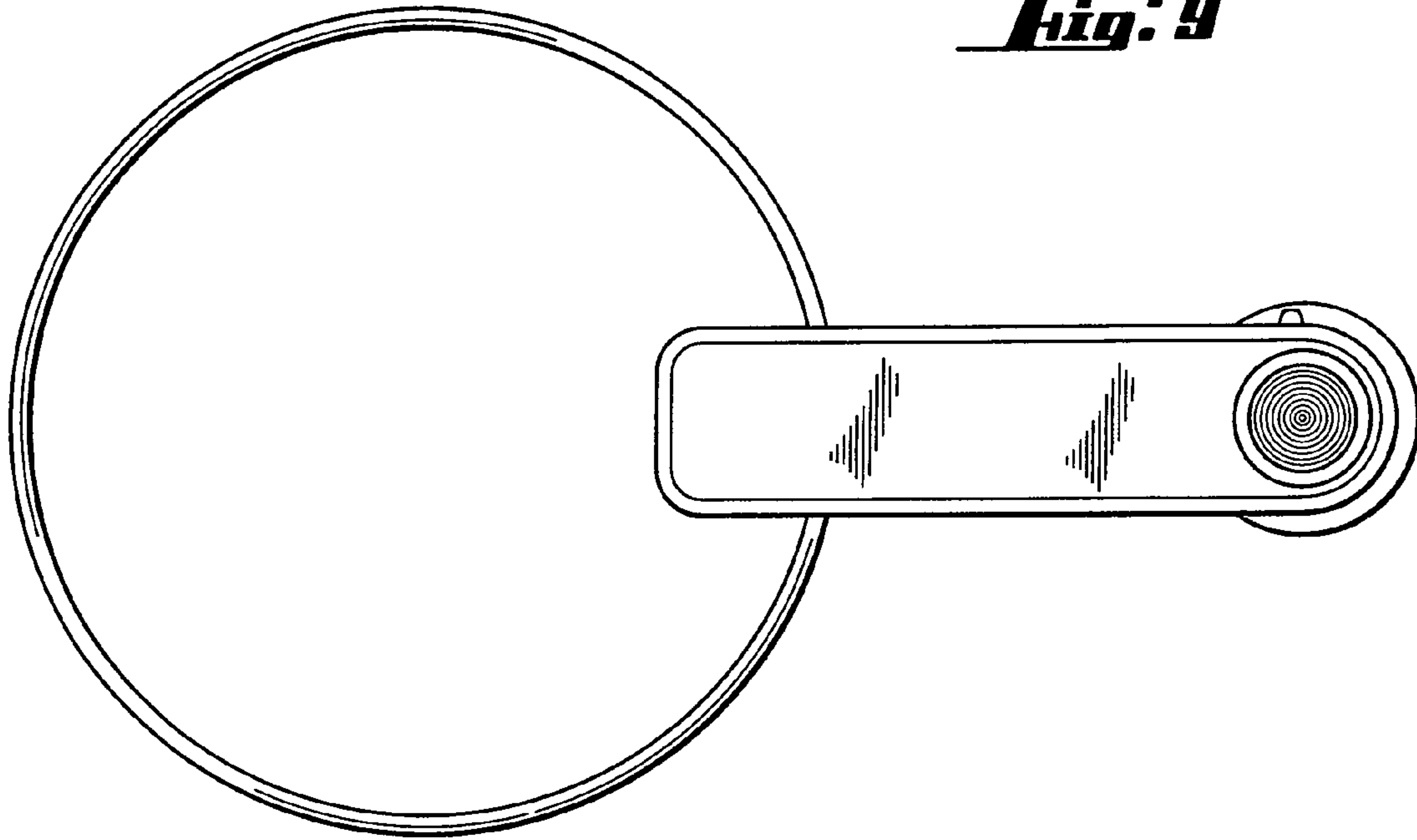


Fig. 10

