

US00D581393S

(12) **United States Design Patent**  
**Rodrigues**

(10) **Patent No.:** **US D581,393 S**

(45) **Date of Patent:** **\*\* Nov. 25, 2008**

(54) **AUDIO PROCESSING APPARATUS**

(75) Inventor: **Anthony G. Rodrigues**, Manteca, CA  
(US)

(73) Assignee: **Stanton Magnetics Inc**, Hollywood, FL  
(US)

(\*\*) Term: **14 Years**

(21) Appl. No.: **29/301,036**

(22) Filed: **Feb. 7, 2008**

(51) **LOC (8) Cl.** ..... **14-03**

(52) **U.S. Cl.** ..... **D14/188**

(58) **Field of Classification Search** ..... D14/137,  
D14/138, 155, 160–171, 188, 189, 194, 197,  
D14/198, 204, 207, 213, 214, 217, 265, 299,  
D14/496; 345/156–158; 369/6–12; 455/90.1–90.3,  
455/344–355, 899; 370/342–344  
See application file for complete search history.

(56) **References Cited**

**U.S. PATENT DOCUMENTS**

D113,924 S \* 3/1939 Tyzzer ..... D14/194  
D452,490 S \* 12/2001 Shintani ..... D14/171

D475,301 S \* 6/2003 Kiu ..... D10/15  
D489,726 S \* 5/2004 Takita et al. .... D14/433  
D563,392 S \* 3/2008 Corsini et al. .... D14/217  
D571,749 S \* 6/2008 Barnett et al. .... D14/126

\* cited by examiner

*Primary Examiner*—Stella M Reid

*Assistant Examiner*—Keli L Acker

(74) *Attorney, Agent, or Firm*—Day Pitney LLP

(57) **CLAIM**

The ornamental design for audio processing apparatus, as shown and described.

**DESCRIPTION**

FIG. 1 is a perspective view of an audio processing apparatus of the present design;

FIG. 2 is a front elevational view thereof;

FIG. 3 is a rear elevational view thereof;

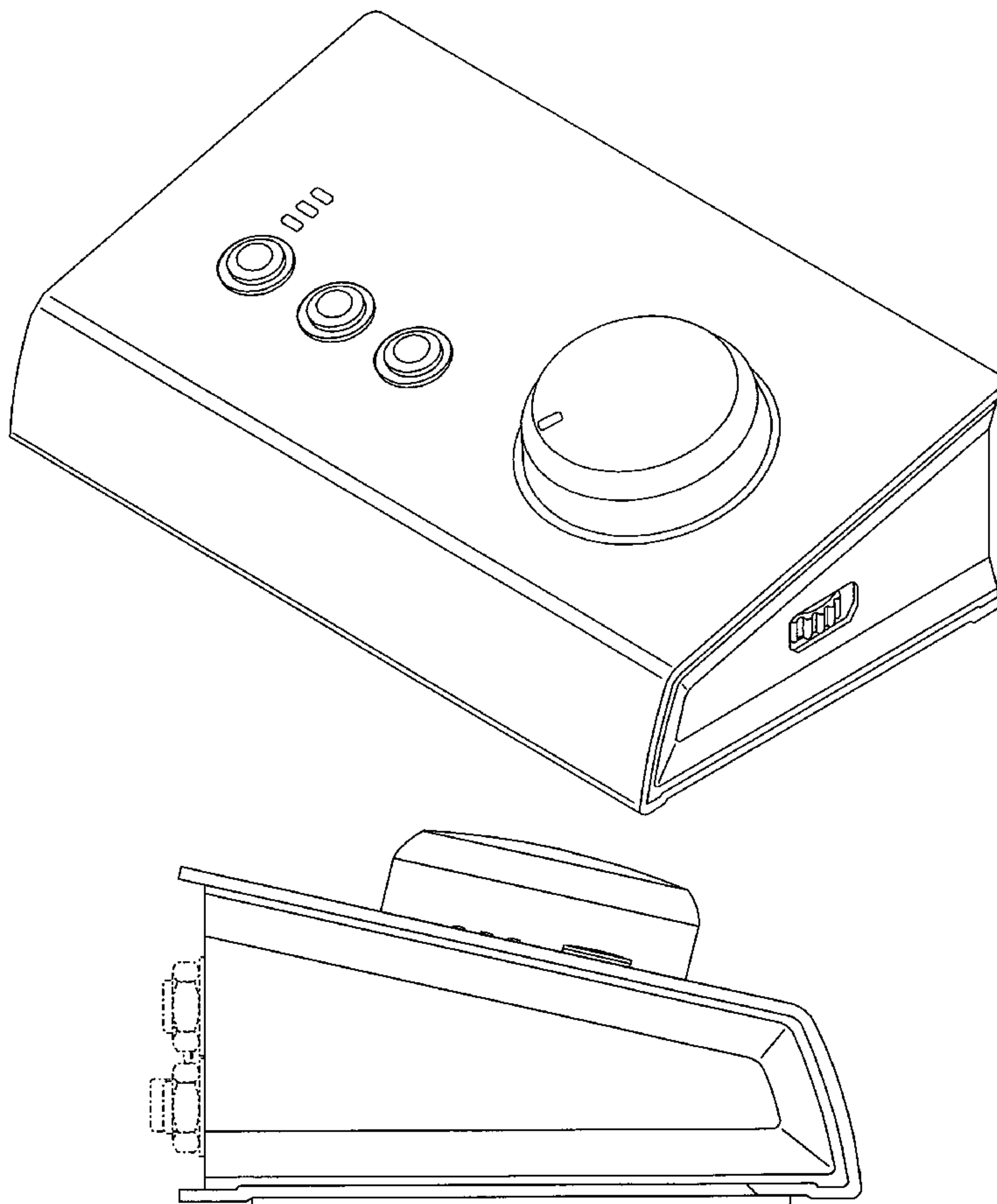
FIG. 4 is a top plan view thereof;

FIG. 5 is a bottom plan view thereof; and

FIG. 6 is a right side view thereof; and,

FIG. 7 is a left side view thereof.

**1 Claim, 5 Drawing Sheets**



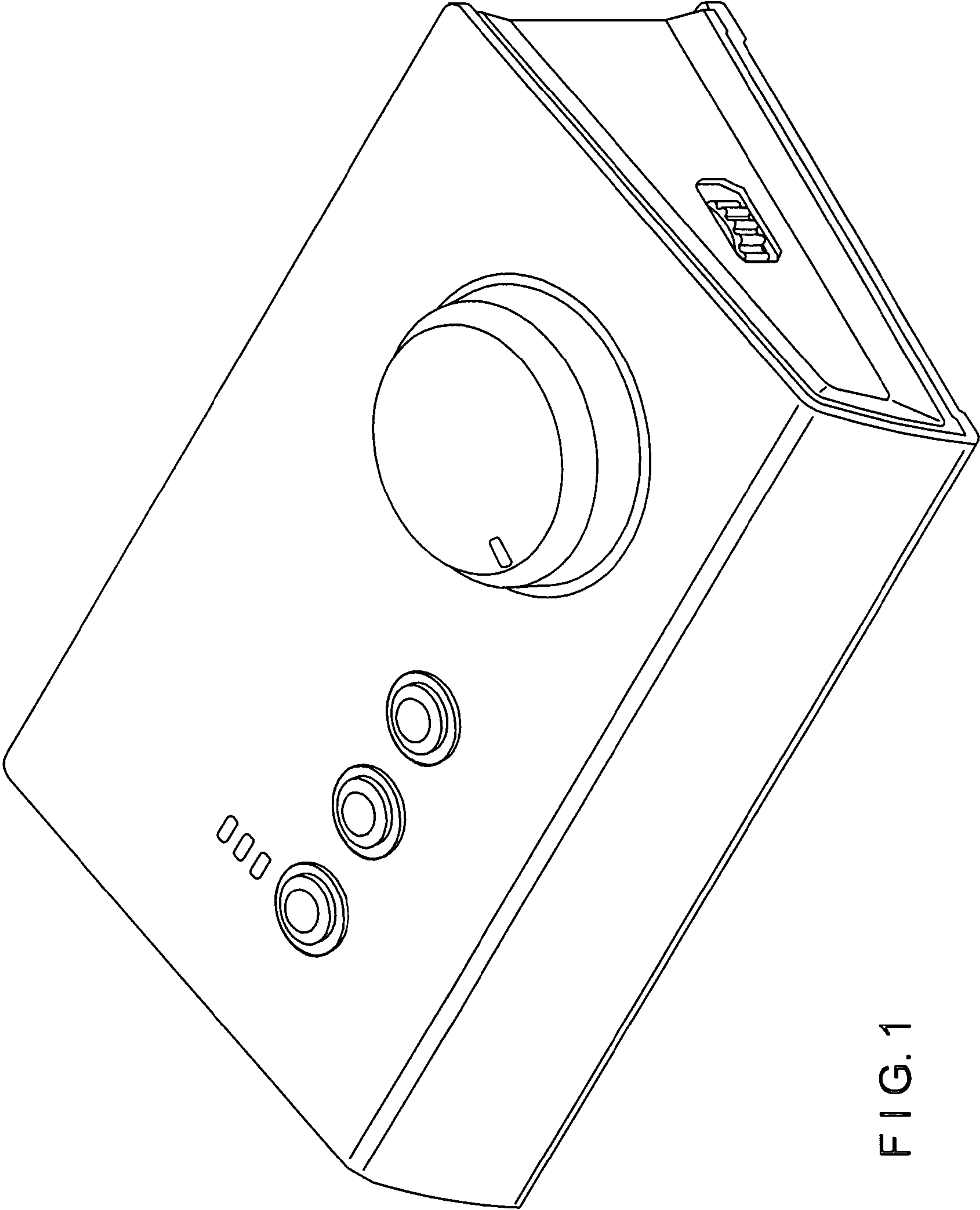


FIG. 1

FIG. 2

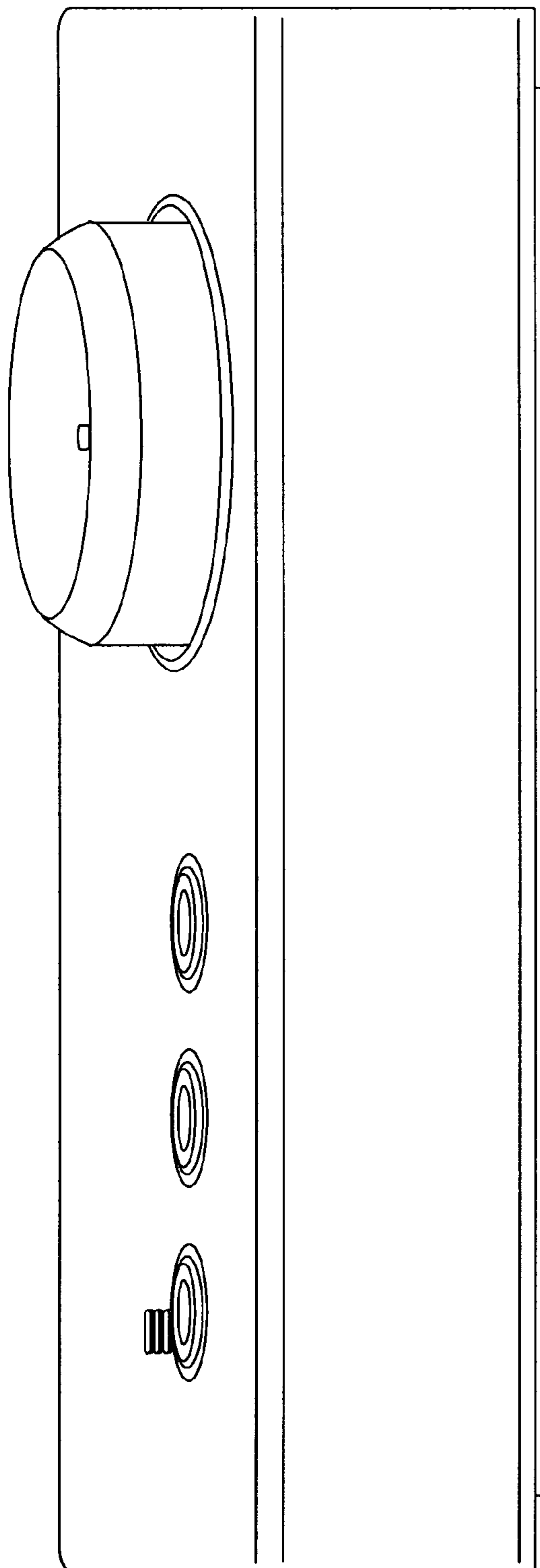
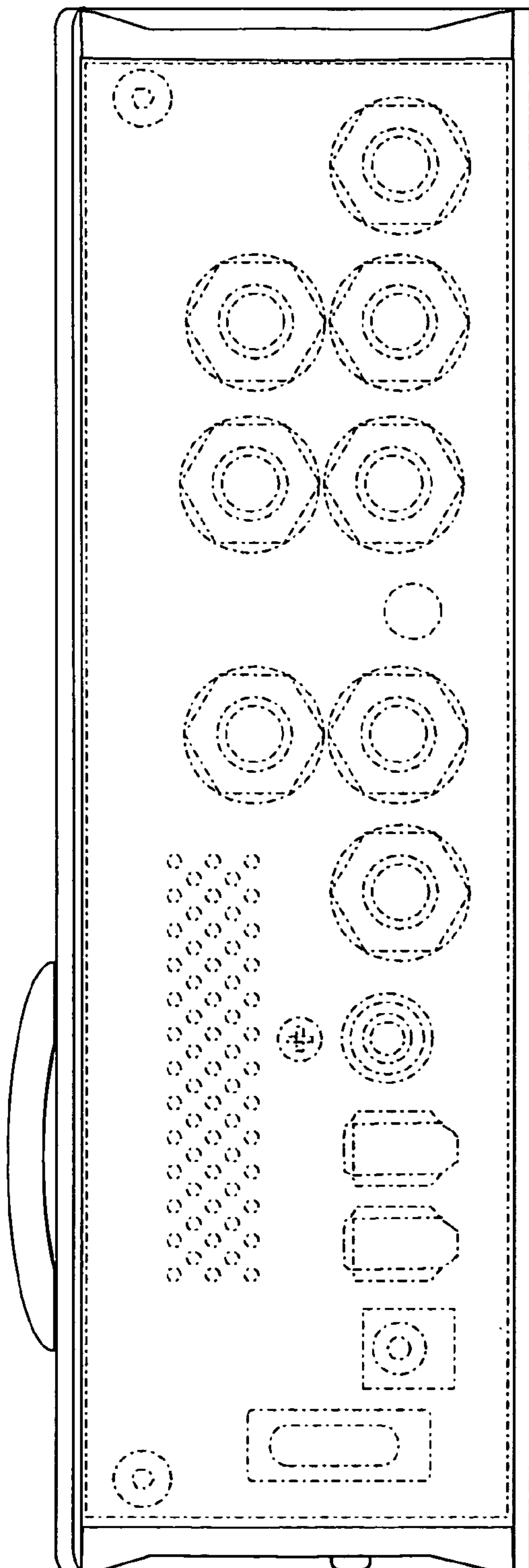


FIG. 3



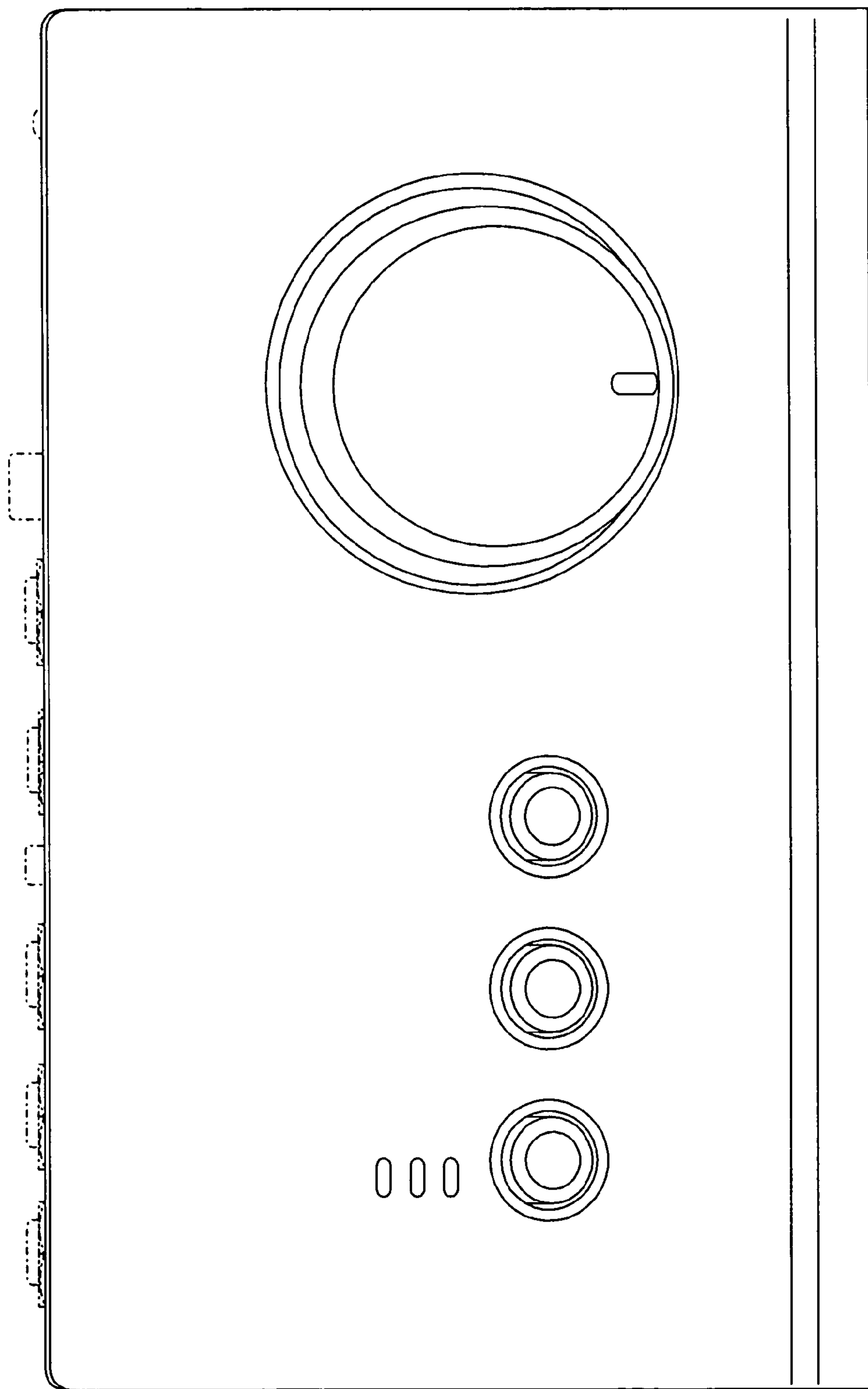


FIG. 4

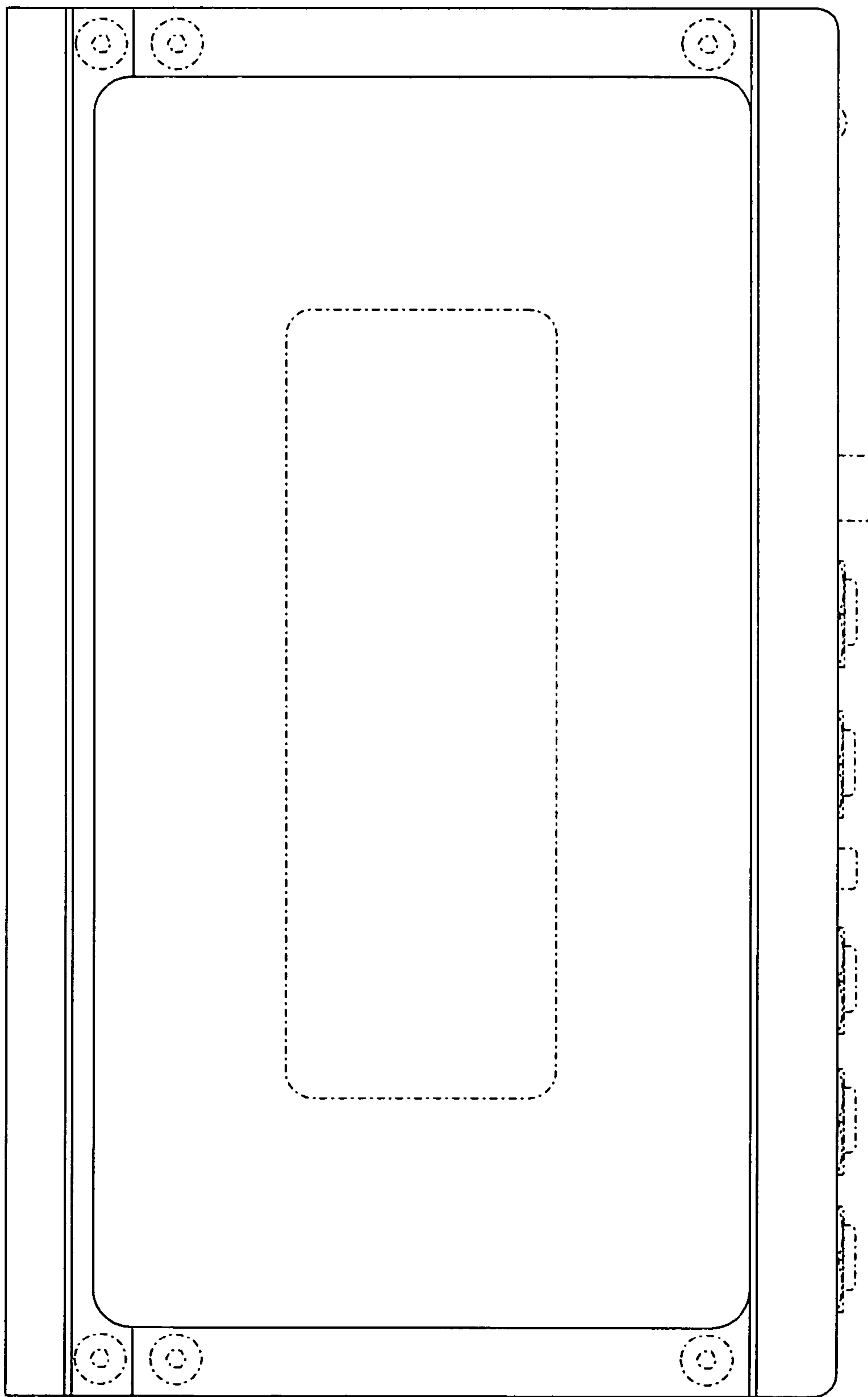


FIG. 5

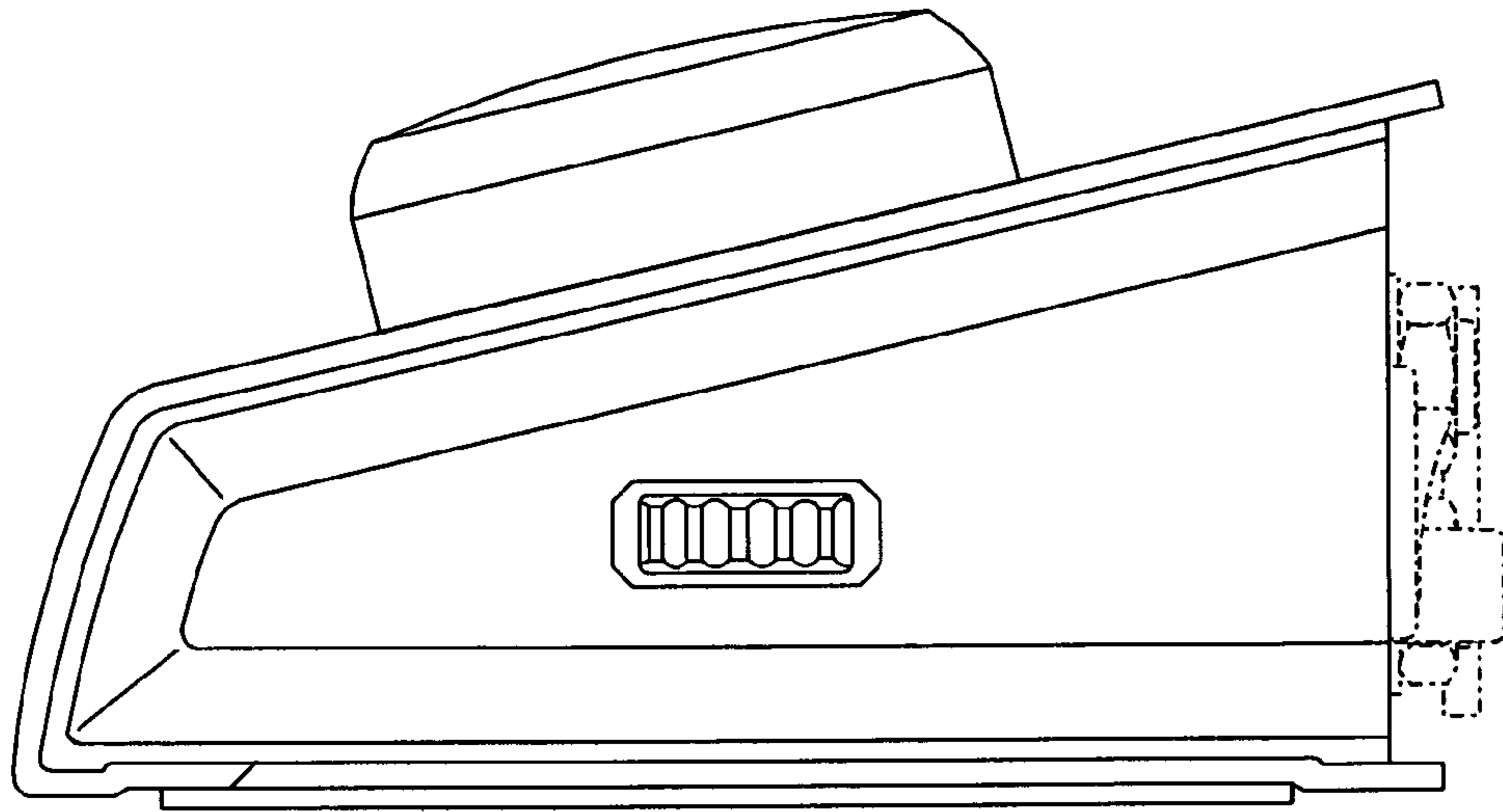


FIG. 6

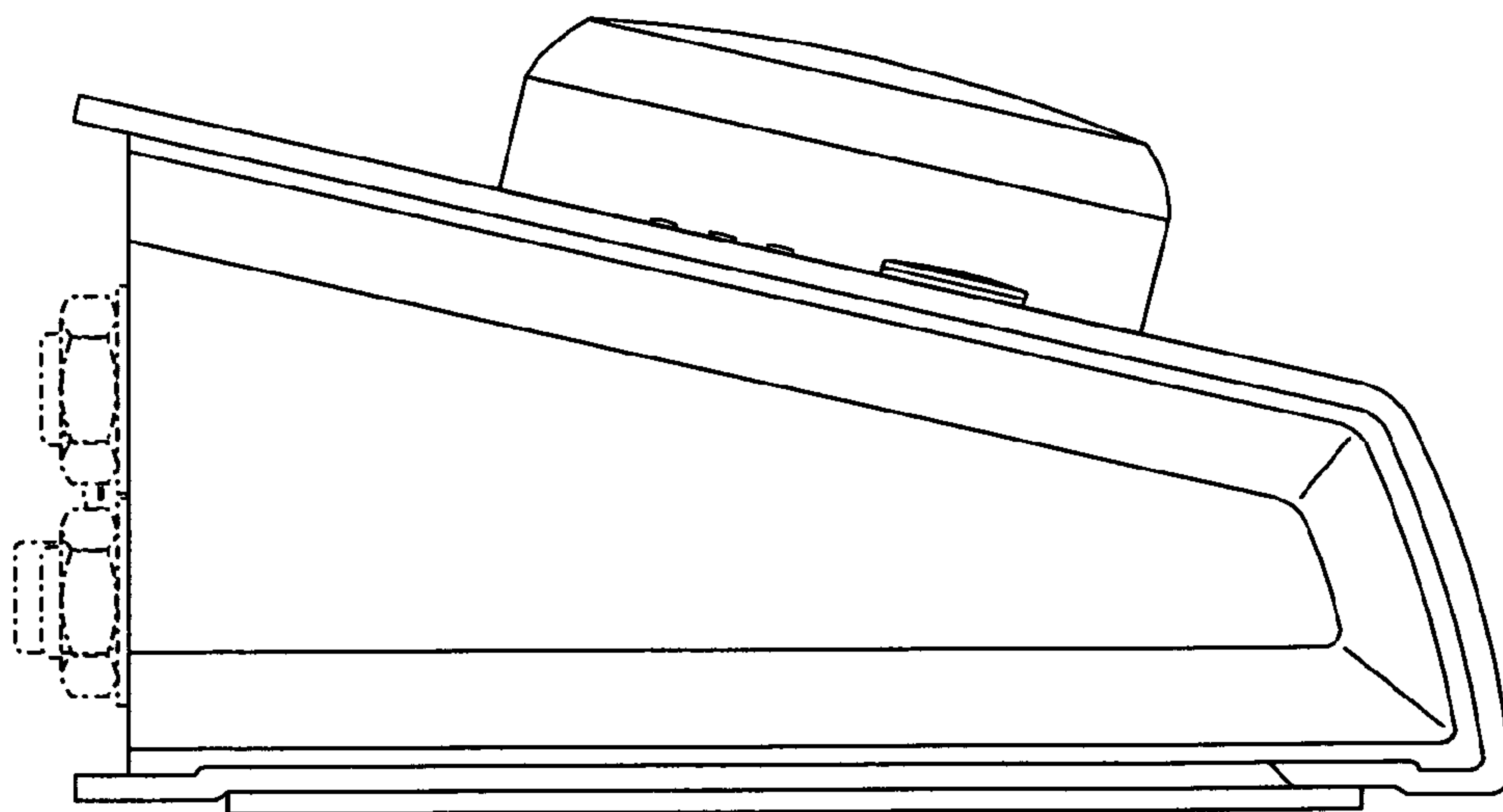


FIG. 7