



US00D581391S

(12) **United States Design Patent**
Gonser et al.

(10) **Patent No.:** **US D581,391 S**
(45) **Date of Patent:** **** Nov. 25, 2008**

(54) **BASE STATION FOR CORDLESS TELEPHONE**
(75) Inventors: **Theodor Gonser**, Munich (DE); **Stefan Hillenmayer**, Munich (DE); **Oliver Meer**, Munich (DE); **Christian Rogge**, Hamburg (DE)

(73) Assignee: **Siemens Home and Office Communication**, Munich (DE)

(**) Term: **14 Years**

(21) Appl. No.: **29/290,656**

(22) Filed: **Dec. 31, 2007**

(30) **Foreign Application Priority Data**
Jun. 29, 2007 (EM) 000754544

(51) **LOC (8) Cl.** **14-03**

(52) **U.S. Cl.** **D14/149**

(58) **Field of Classification Search** D14/125-130, D14/136-137, 140-142, 147-151, 158-159, D14/171, 188, 225-226, 240, 243, 247, 251, D14/253, 349, 356, 358, 434; 379/88.17, 379/90.01, 93.17, 387.01, 388.02, 419-420.04, 379/428.01-428.04, 434-436, 440, 446-447, 379/454-455; 381/16, 71.1; D13/107-108; 191/12.2 R; 320/108, 110, 113-115; 455/411, 455/550.1, 90.3; 348/14.01-14.06
See application file for complete search history.

(56) **References Cited**

U.S. PATENT DOCUMENTS

D290,841 S * 7/1987 Cochran D14/149
D294,696 S * 3/1988 Brown D14/149
D298,119 S * 10/1988 Richards et al. D13/108
D368,713 S * 4/1996 Tomlinson et al. D14/150

5,939,860 A * 8/1999 William 320/114
6,014,011 A * 1/2000 DeFelice et al. 320/114
D456,795 S * 5/2002 Hughes et al. D14/149
D512,041 S * 11/2005 La Course D14/149
D555,630 S * 11/2007 Udagawa et al. D14/151
D558,749 S * 1/2008 Furuno et al. D14/253
D562,302 S * 2/2008 Franck et al. D14/149
D562,797 S * 2/2008 Beasley et al. D14/149
D570,324 S * 6/2008 Furuno et al. D14/149

OTHER PUBLICATIONS

Siemens Gigaset S455, <URL:http://www.101phones.com/details/2597-941/Siemens-DECT-6-Cordless-Phones-S455.html>, retrieved from internet Jul. 3, 2008 11:54:55 AM.*
Vtech LS5145, <URL:http://www.101phones.com/details/0-4871/LS5145.html>, retrieved from internet Jul. 6, 2008 4:31:18 PM.*

* cited by examiner

Primary Examiner—Ian Simmons
Assistant Examiner—Carla Wright
(74) *Attorney, Agent, or Firm*—Staas & Halsey LLP

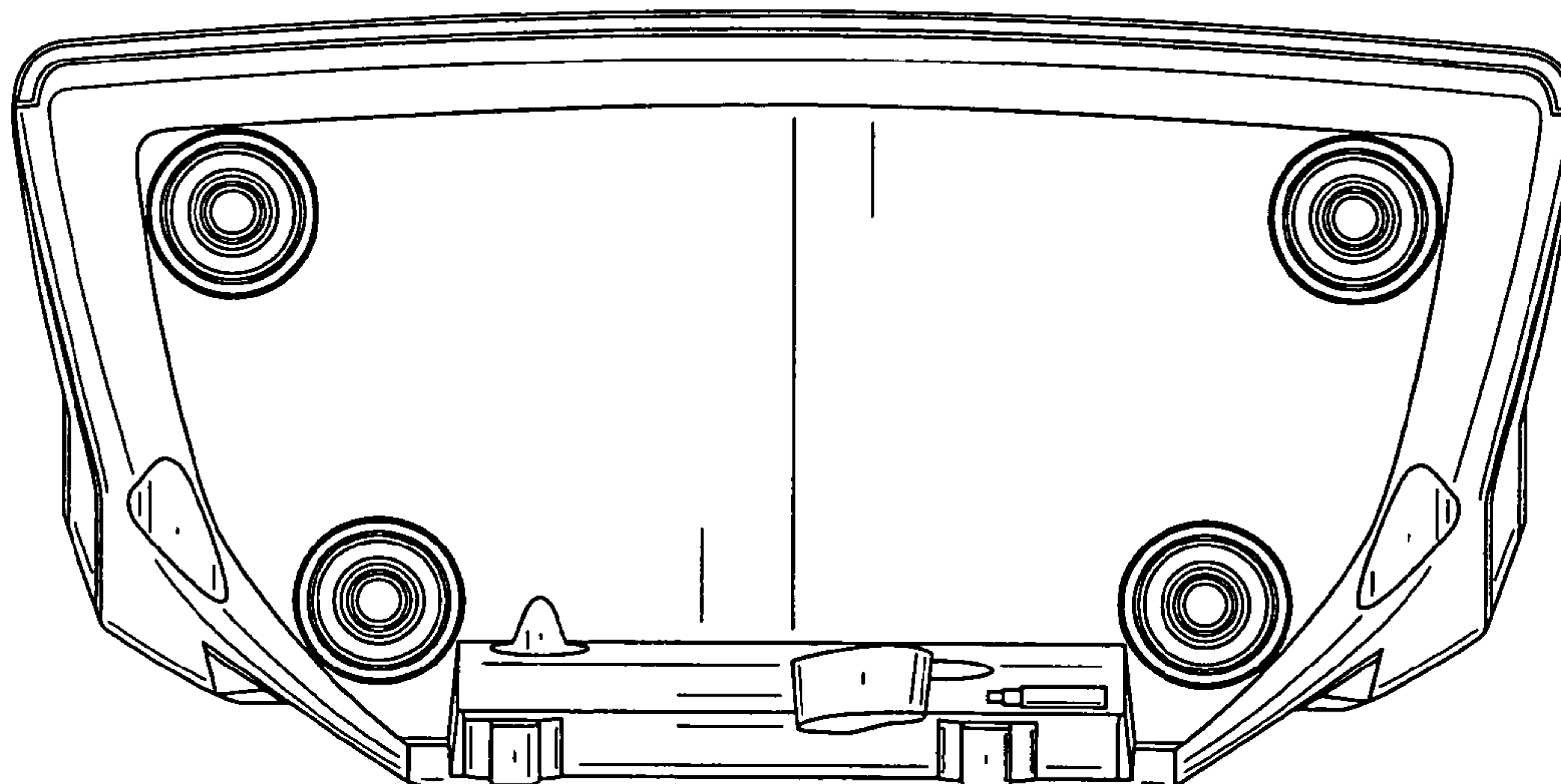
(57) **CLAIM**

The ornamental design for a base station for a cordless telephone, as shown and described.

DESCRIPTION

FIG. 1 is a front elevational view of a base station for a cordless telephone showing our new design;
FIG. 2 is a rear elevational view thereof;
FIG. 3 is a top plan view thereof;
FIG. 4 is a bottom plan view thereof;
FIG. 5 is a right side view thereof;
FIG. 6 is a left side view thereof; and,
FIG. 7 is a perspective view thereof.

1 Claim, 6 Drawing Sheets



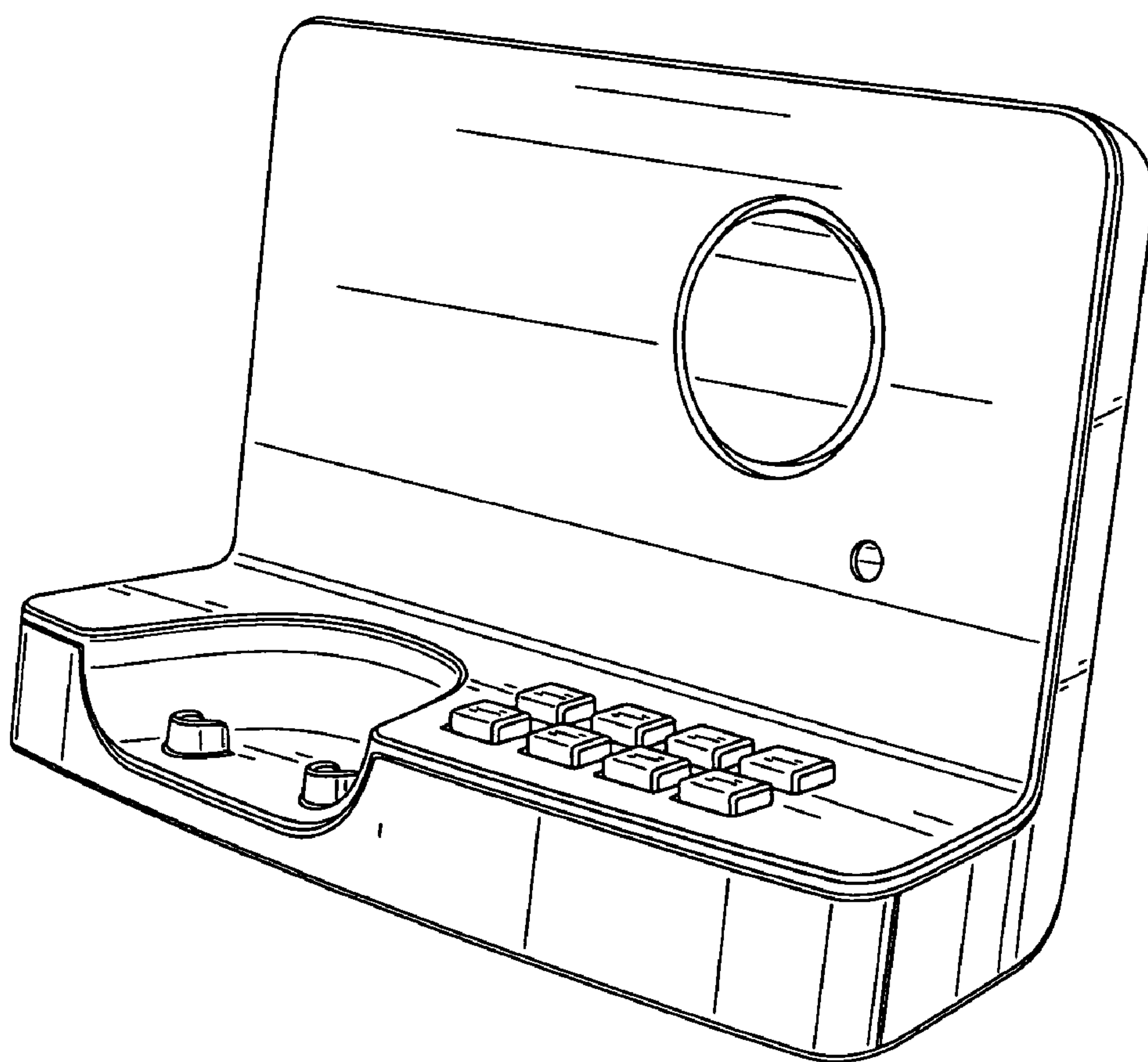


FIG. 1

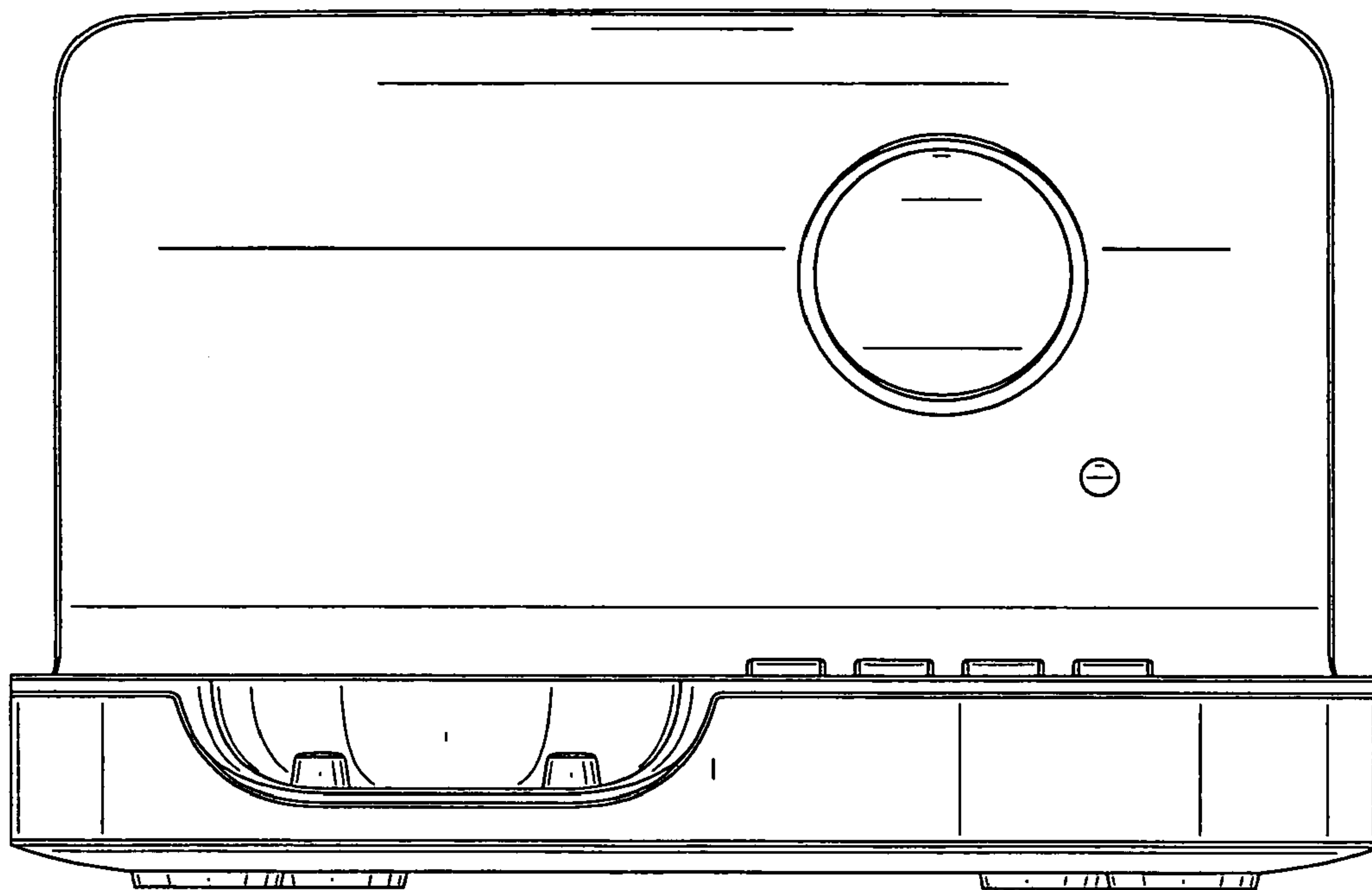


FIG. 2

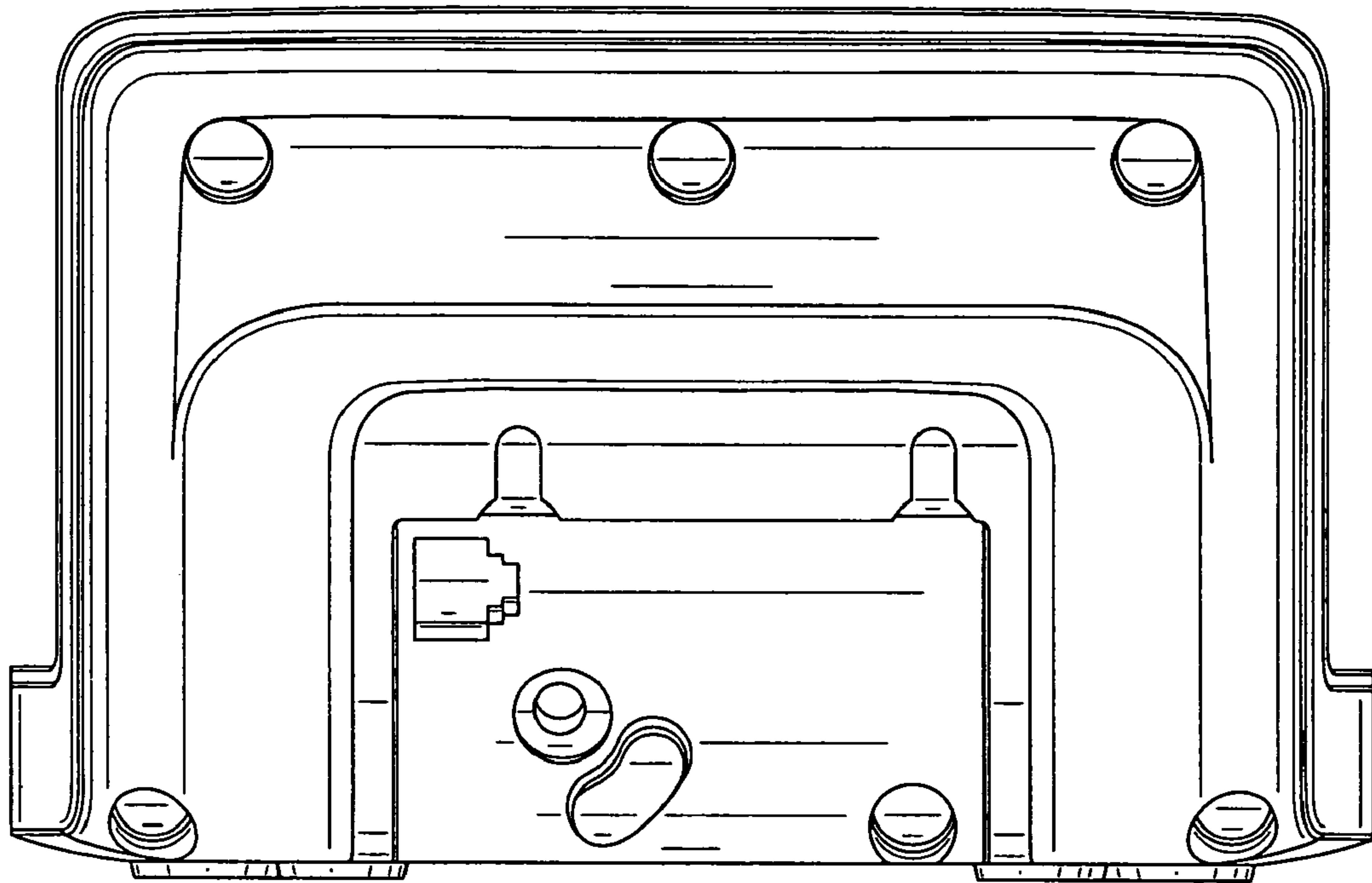


FIG. 3

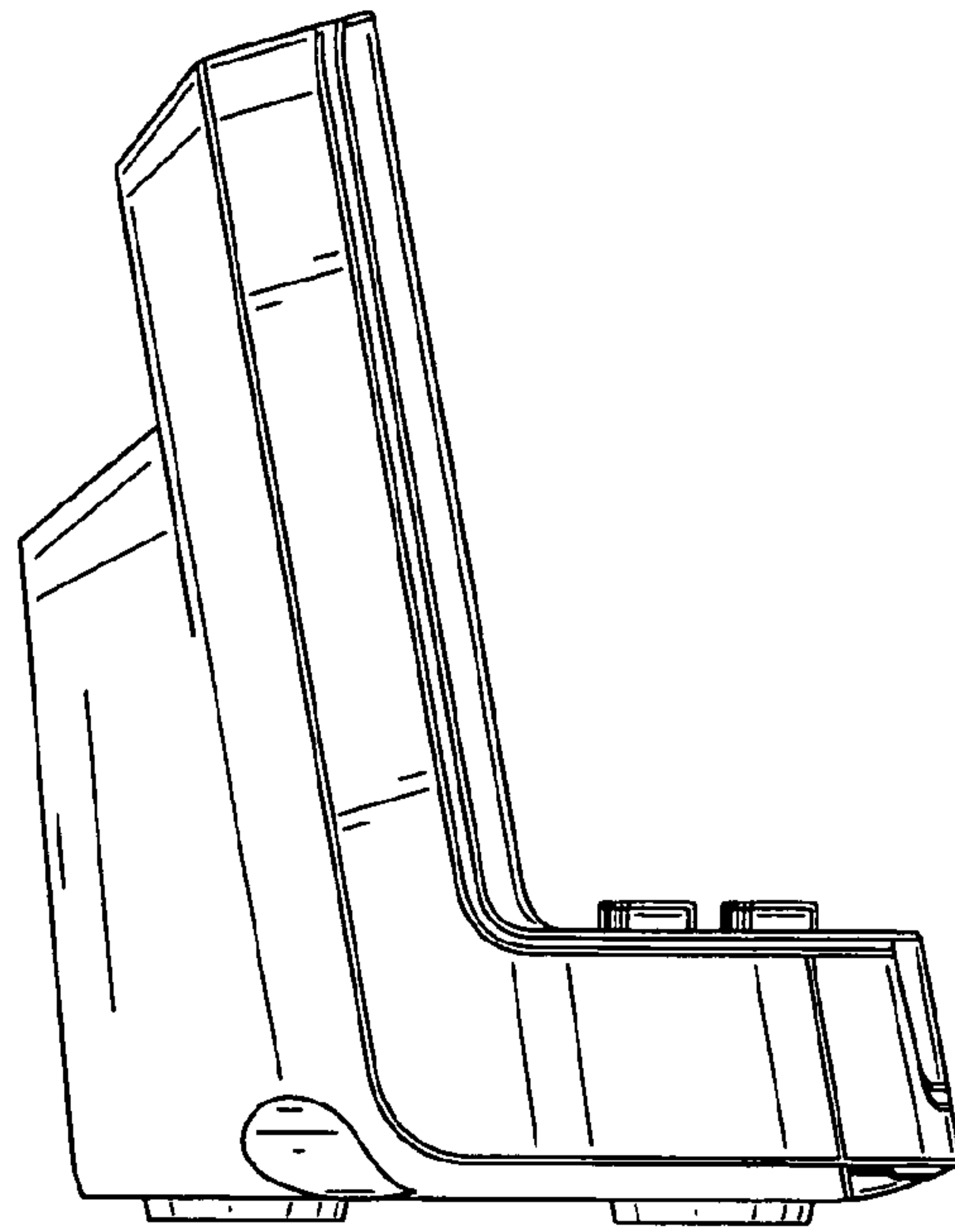


FIG. 4

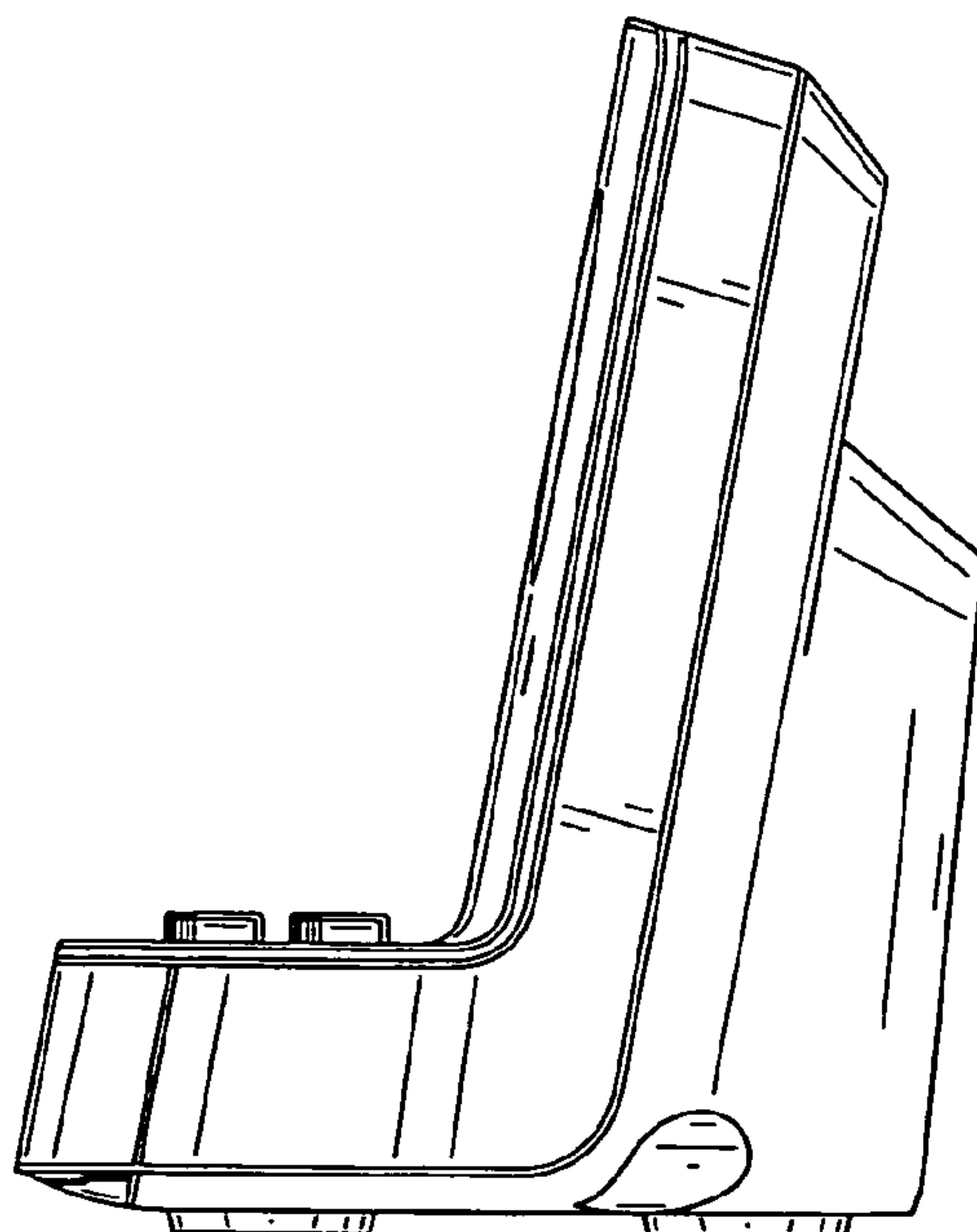


FIG. 5

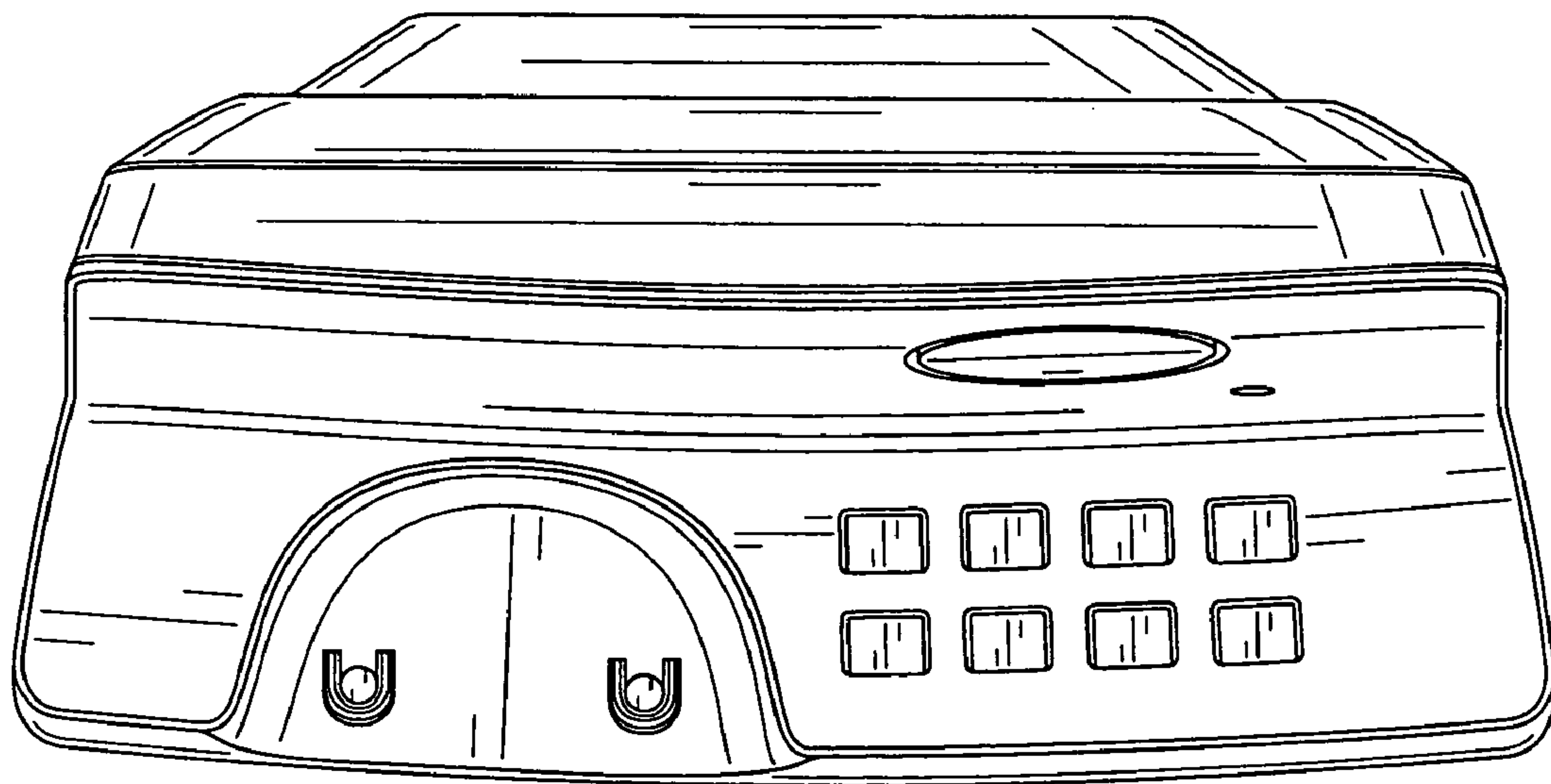


FIG. 6

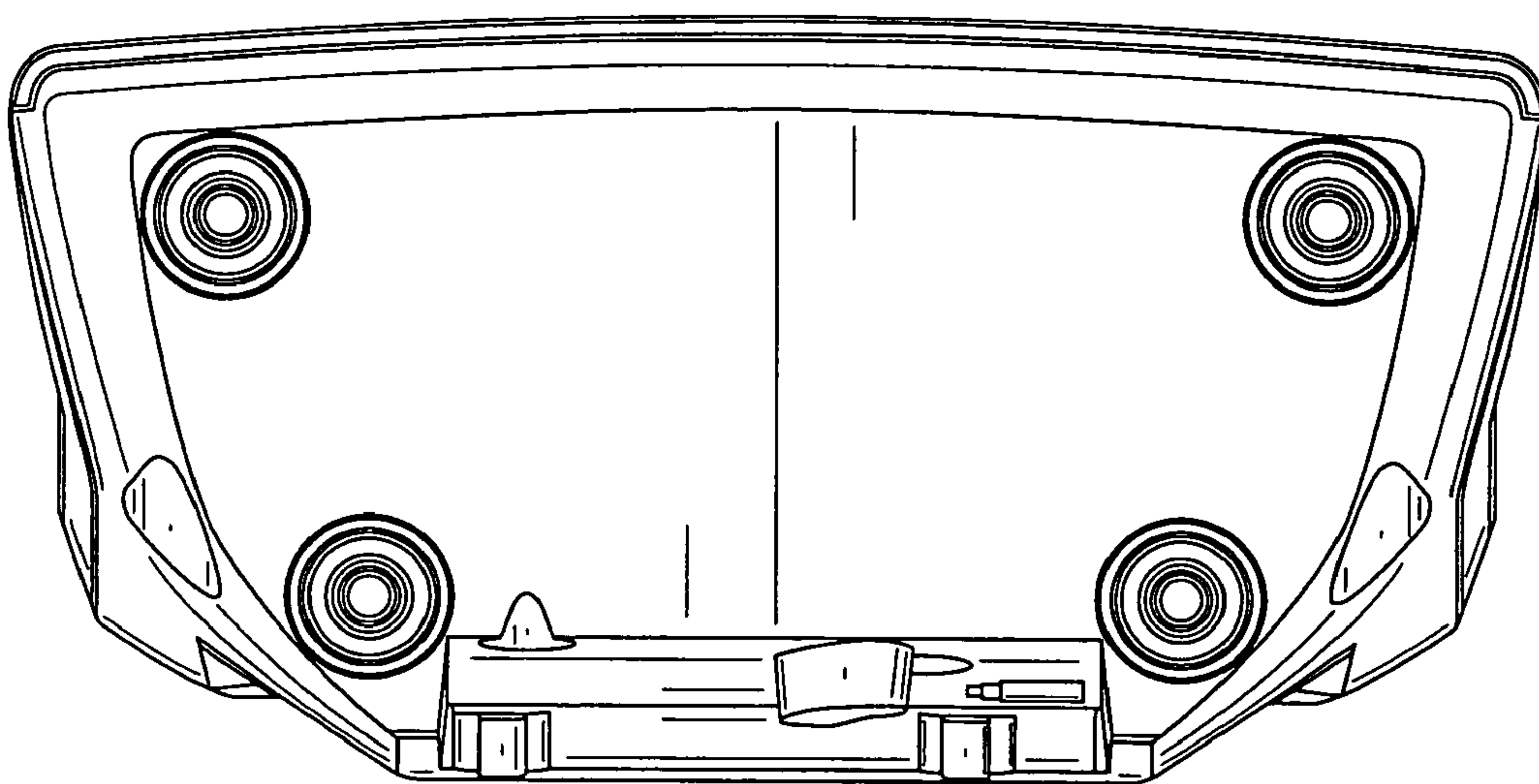


FIG. 7