



US00D581387S

(12) **United States Design Patent**  
**Harju et al.**

(10) **Patent No.:** **US D581,387 S**  
(45) **Date of Patent:** **\*\* Nov. 25, 2008**

(54) **HANDSET**

(75) Inventors: **Jonne Harju**, Helsinki (FI); **Crispian Tompkin**, Los Angeles, CA (US)

(73) Assignee: **Nokia Corporation**, Espoo (FI)

(\*\*) Term: **14 Years**

(21) Appl. No.: **29/297,536**

(22) Filed: **Nov. 13, 2007**

(30) **Foreign Application Priority Data**

May 11, 2007 (FI) ..... M20070092

(51) **LOC (8) Cl.** ..... **14-03**

(52) **U.S. Cl.** ..... **D14/138**

(58) **Field of Classification Search** ..... D14/137,  
D14/138, 147, 191, 218, 247-248, 341-347,  
D14/496; D10/65, 78, 104; D13/168; D18/7;  
455/556.1, 566, 575.1, 575.3; 345/169

See application file for complete search history.

(56) **References Cited**

U.S. PATENT DOCUMENTS

D495,695 S *	9/2004	Yugaya	.....	D14/346
D511,342 S *	11/2005	Chien	.....	D14/346
D525,609 S *	7/2006	Kim et al.	.....	D14/138
D527,368 S *	8/2006	Kim et al.	.....	D14/138
D528,094 S *	9/2006	Hwang	.....	D14/138
D528,532 S *	9/2006	Dimitriadis et al.	.....	D14/138
D529,471 S *	10/2006	Park	.....	D14/138
D531,610 S *	11/2006	Kim et al.	.....	D14/138
D534,516 S *	1/2007	Lheem	.....	D14/138
D535,275 S *	1/2007	Kim et al.	.....	D14/138

(Continued)

FOREIGN PATENT DOCUMENTS

WO	DM/067121	*	9/2005
WO	DM/069443	*	10/2007

OTHER PUBLICATIONS

BenQ EL71, announced Feb. 2006, [online], [retrieved on Dec. 13, 2007]. Retrieved from Internet ,<URL: <http://www.gsmarena.com>>.\*

LG V9000, announced Feb. 2006, [online], [retrieved on Feb. 20, 2007]. Retrieved from Internet ,<URL: <http://www.gsmarena.com>>.\*

Asus P535, announced Nov. 2006, [online], [retrieved on Feb. 20, 2007]. Retrieved from Internet ,<URL: <http://www.gsmarena.com>>.\*

(Continued)

*Primary Examiner*—Jeffrey D. Asch

*Assistant Examiner*—Bridget L Eland

(74) *Attorney, Agent, or Firm*—Banner & Witcoff, Ltd.

(57) **CLAIM**

The ornamental design for a handset, as shown and described.

**DESCRIPTION**

FIG. 1 is a bottom plan view of a handset showing our new design;

FIG. 2 is a right side view thereof;

FIG. 3 is a front view thereof;

FIG. 4 is a left side view thereof;

FIG. 5 is a top plan view thereof;

FIG. 6 is a rear view thereof;

FIG. 7 is a perspective front view thereof;

FIG. 8 is a perspective rear view thereof;

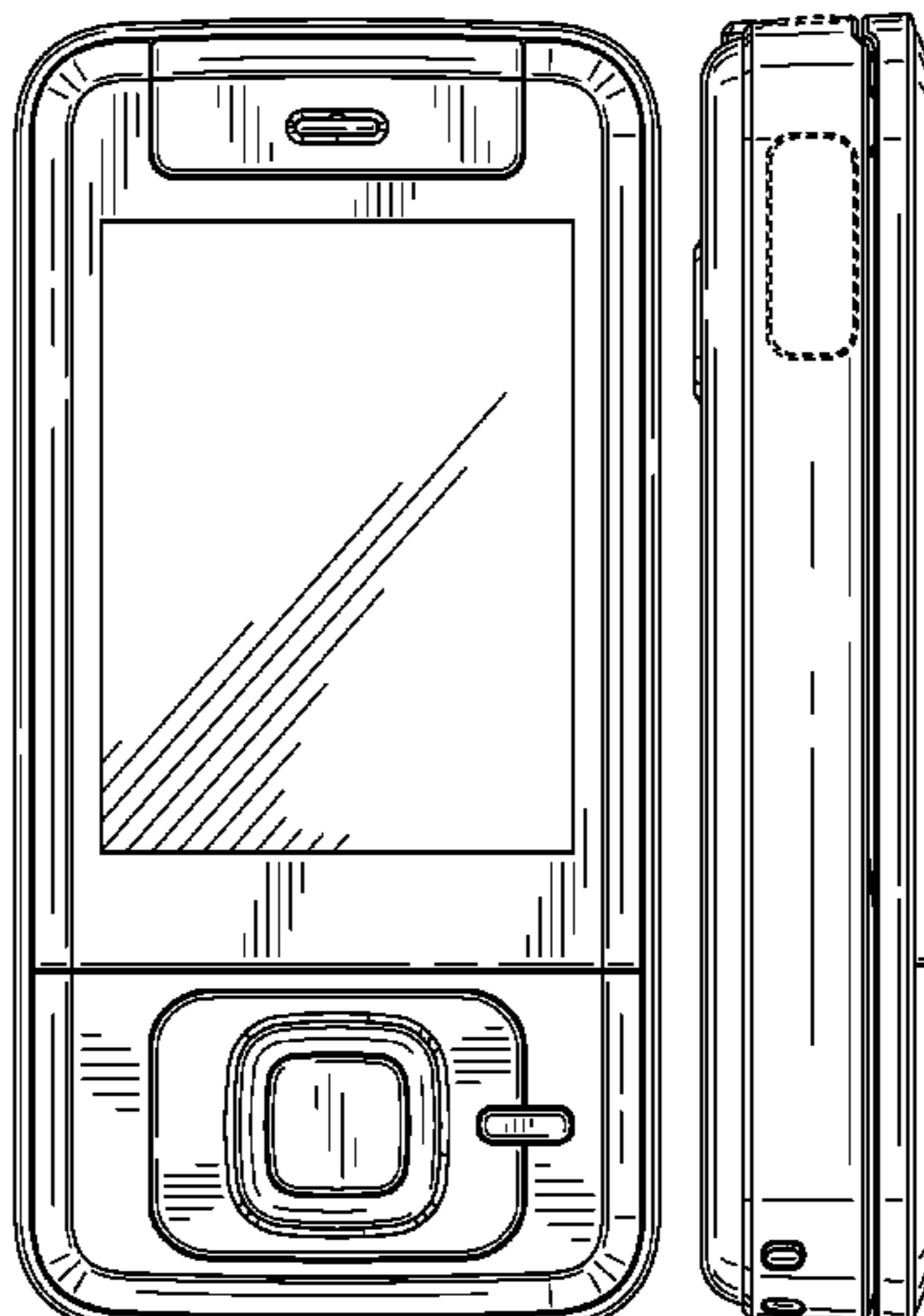
FIG. 9 is a front view of a handset in an open, in-use position;

FIG. 10 is a perspective front view thereof; and,

FIG. 11 is a perspective rear view thereof.

The broken lines immediately adjacent the shaded areas represent the bounds of the claimed design while all other broken lines are directed to environment and are for illustrative purposes only; the broken lines form no part of the claimed design.

**1 Claim, 7 Drawing Sheets**



U.S. PATENT DOCUMENTS

7,187,957	B2 *	3/2007	Kato .....	455/575.3
D548,715	S *	8/2007	Lee et al. ....	D14/138
D549,205	S *	8/2007	Cho .....	D14/138
D551,201	S *	9/2007	Kim et al. ....	D14/138
7,269,450	B2 *	9/2007	Lee et al. ....	455/575.1
D552,057	S *	10/2007	Kim .....	D14/138
D552,573	S *	10/2007	Sheu .....	D14/138
D556,178	S *	11/2007	Kim et al. ....	D14/138
D561,155	S *	2/2008	Kim et al. ....	D14/138
D561,204	S *	2/2008	Toh .....	D14/496
D562,298	S *	2/2008	Yoon .....	D14/138
D563,369	S *	3/2008	Kim et al. ....	D14/138
D569,365	S *	5/2008	Shin et al. ....	D14/138
D570,815	S *	6/2008	Son et al. ....	D14/138
D570,816	S *	6/2008	Lee et al. ....	D14/138
2008/0119248	A1 *	5/2008	Nissen et al. ....	455/575.4

OTHER PUBLICATIONS

Nokia N81, announced Aug. 2007, [online], [retrieved on Sep. 4, 2007]. Retrieved from Internet ,<URL: <http://www.gsmarena.com>>.\*

Samsung F250, announced Aug. 2007, [online], [retrieved on Dec. 13, 2007]. Retrieved from Internet ,<URL: <http://www.gsmarena.com>>.\*

HTC P3470, announced Feb. 2008, [online], [retrieved on Mar. 21, 2008]. Retrieved from Internet ,<URL: <http://www.gsmarena.com>>.\*

Eten glofish M810, announced Apr. 2008, [online], [retrieved on Apr. 18, 2008]. Retrieved from Internet ,<URL: <http://www.gsmarena.com>>.\*

LG KC550, announced May 2008, [online], [retrieved on May 30, 2008]. Retrieved from Internet ,<URL: <http://www.gsmarena.com>>.\*

Nokia Model # 5200, Nokia Corporation, 2 color sheets of photographs, disclosed on or about Sep. 2006.

Nokia Model # 5300, Nokia Corporation, 2 color sheets of photographs, disclosed on or about Sep. 2006.

Nokia Model # 5700, Nokia Corporation, 2 color sheets of photographs, disclosed on or about Mar. 2007.

Nokia Model # 6086, Nokia Corporation, 1 color sheet of photographs, disclosed on or about Nov. 2006.

Nokia Model # 6280, Nokia Corporation, 3 color sheets of photographs, disclosed on or about Jun. 2005.

Nokia Model # 6133, Nokia Corporation, 1 color sheet of photographs, disclosed on or about Oct. 2006.

Nokia Model # 7088, Nokia Corporation, 2 color sheets of photographs, disclosed on or about Mar. 2007.

Nokia Model # E65, Nokia Corporation, 2 color sheets of photographs, disclosed on or about Feb. 2007.

Nokia Model # N80, Nokia Corporation, 6 color sheets of photographs, disclosed on or about Nov. 2005.

Nokia Model # N91, Nokia Corporation, 4 color sheets of photographs, disclosed on or about Apr. 2005.

Nokia Model # N95, Nokia Corporation, 7 color sheets of photographs, disclosed on or about Sep. 2006.

\* cited by examiner

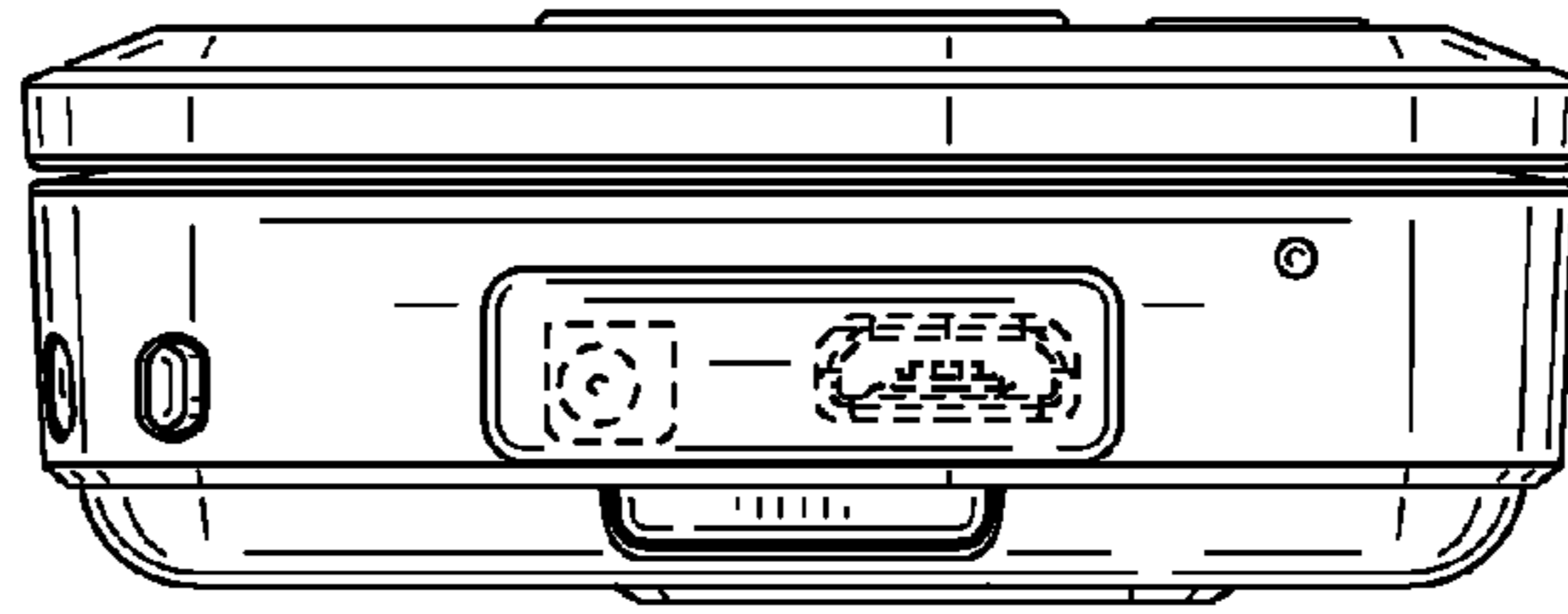


FIG. 1

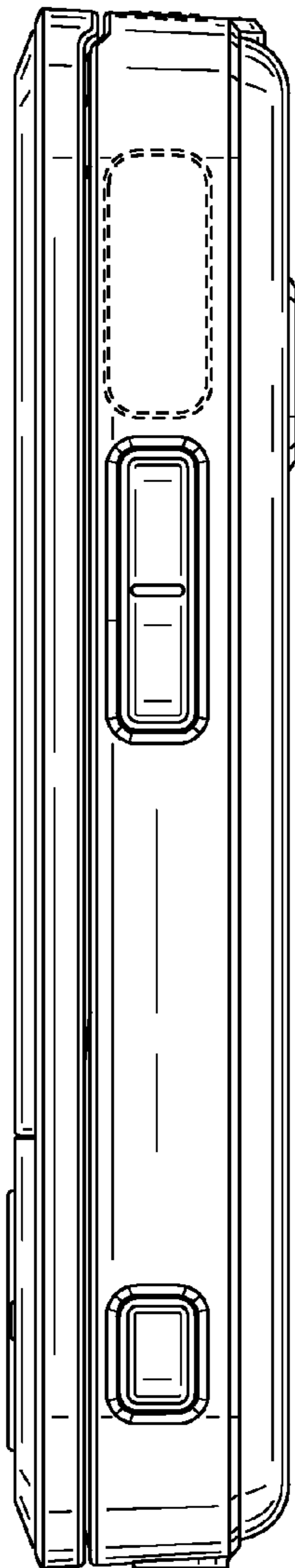


FIG. 2

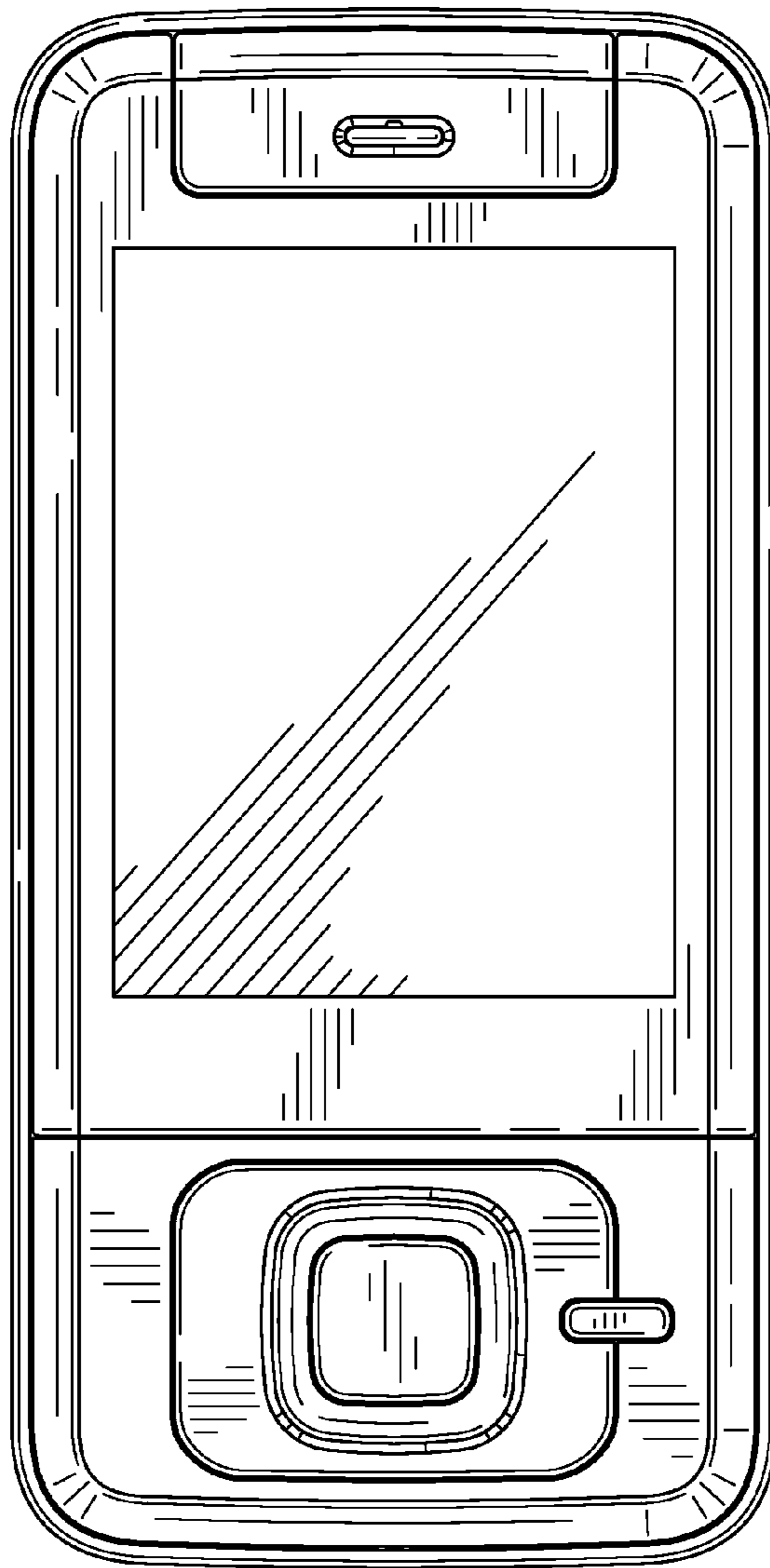


FIG. 3

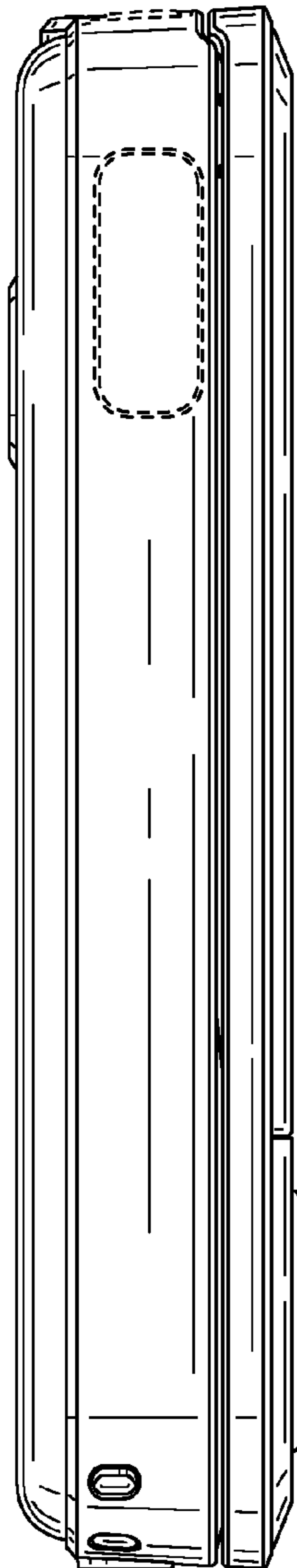


FIG. 4

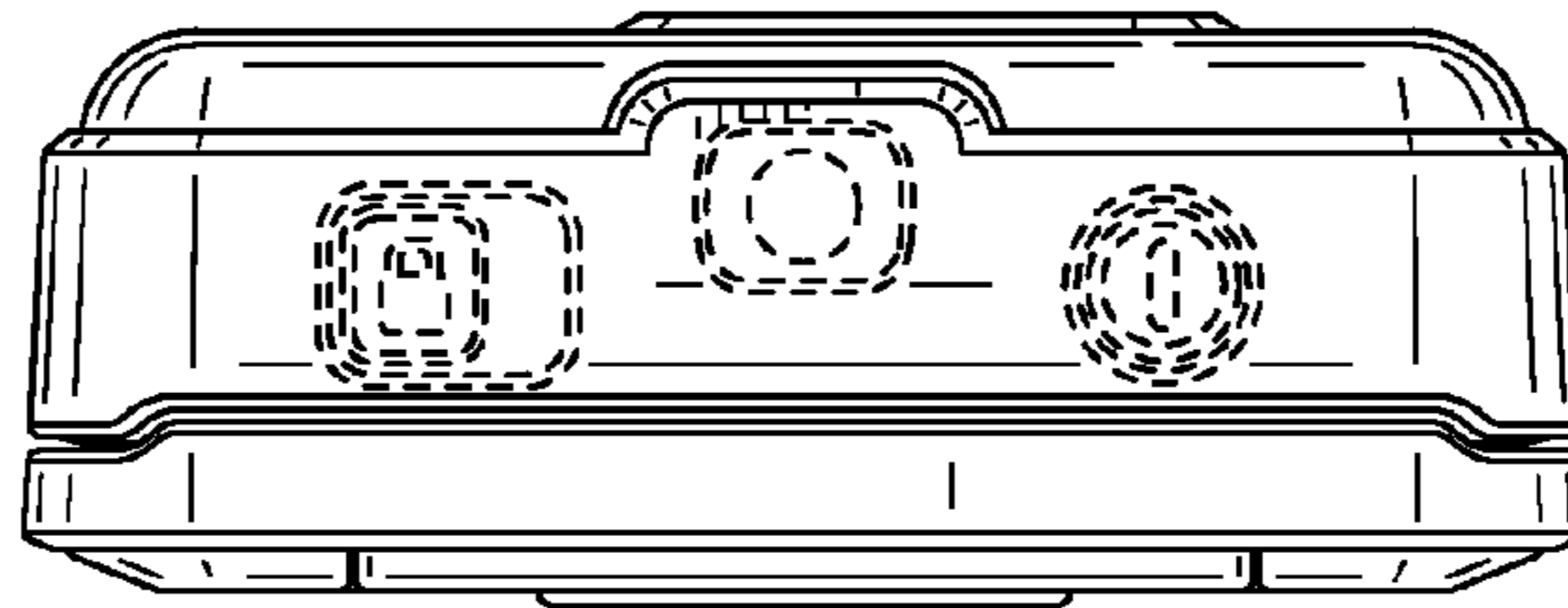


FIG. 5

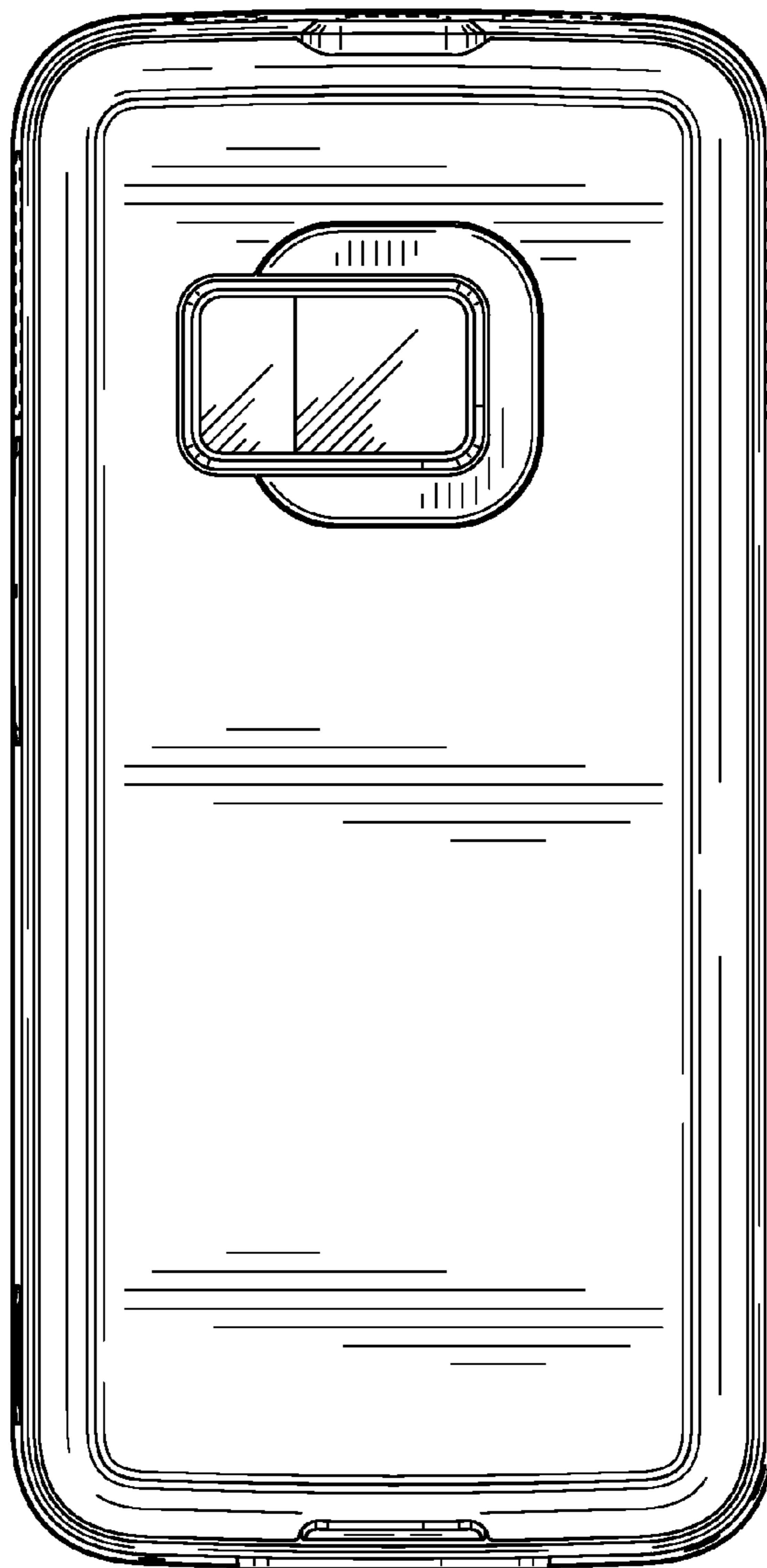


FIG. 6

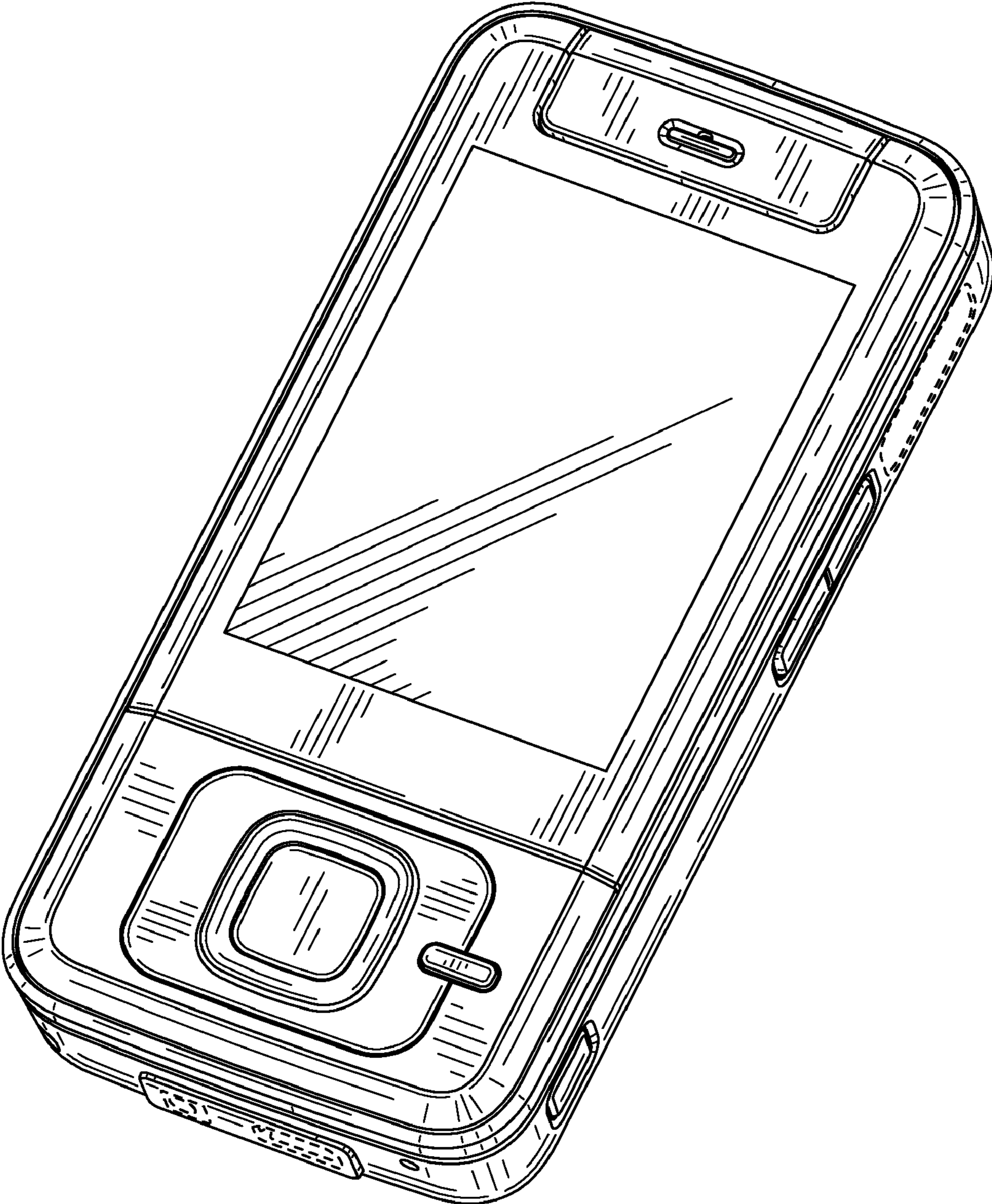


FIG. 7

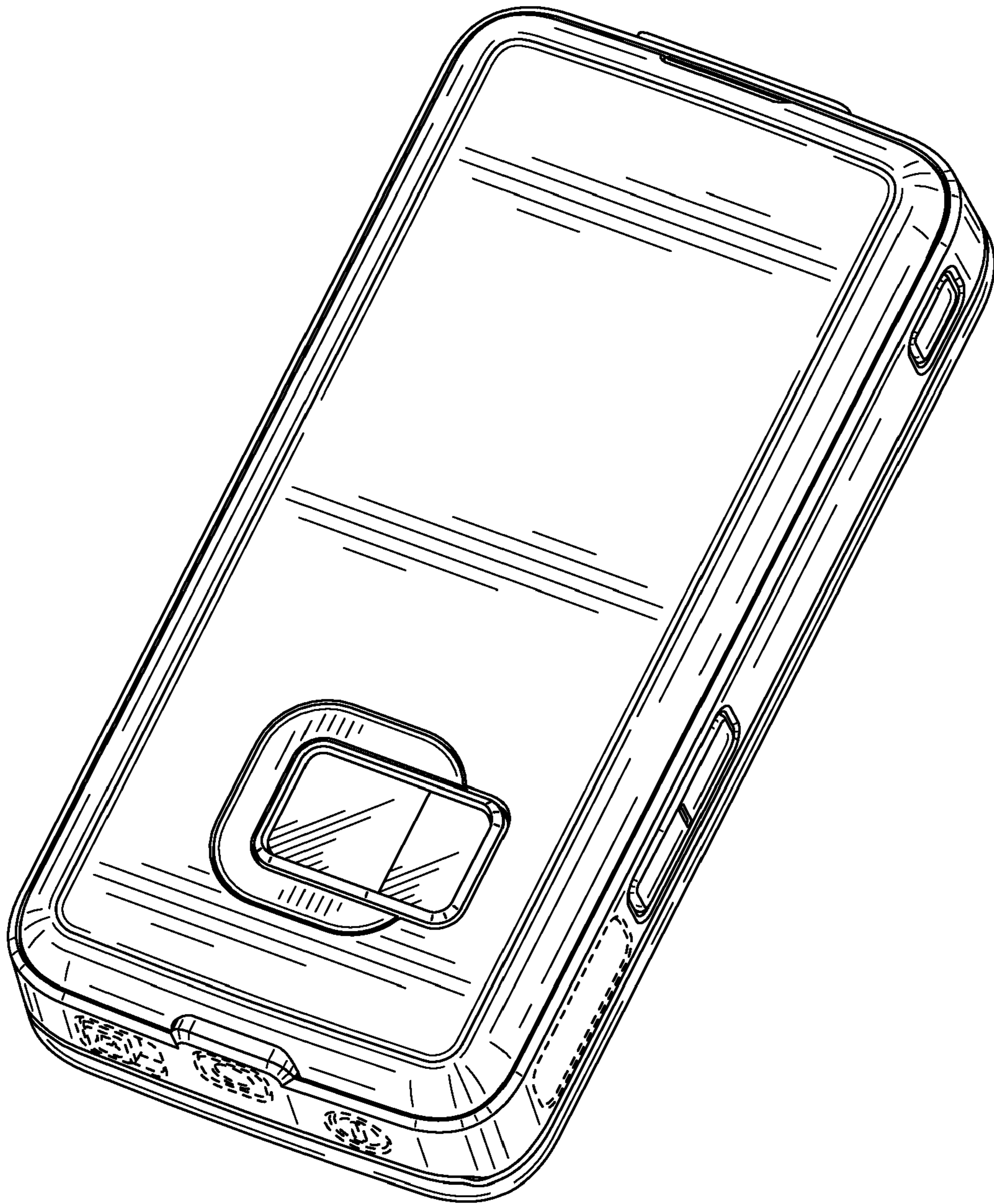


FIG. 8

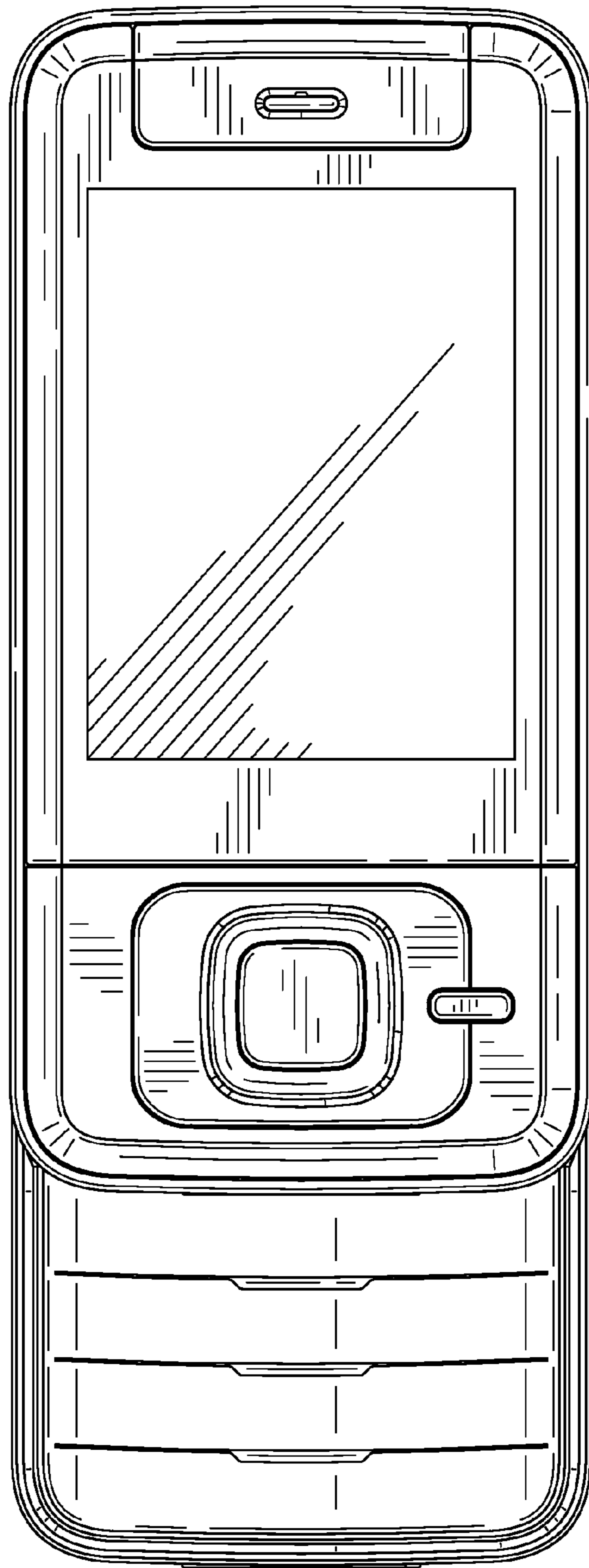


FIG. 9

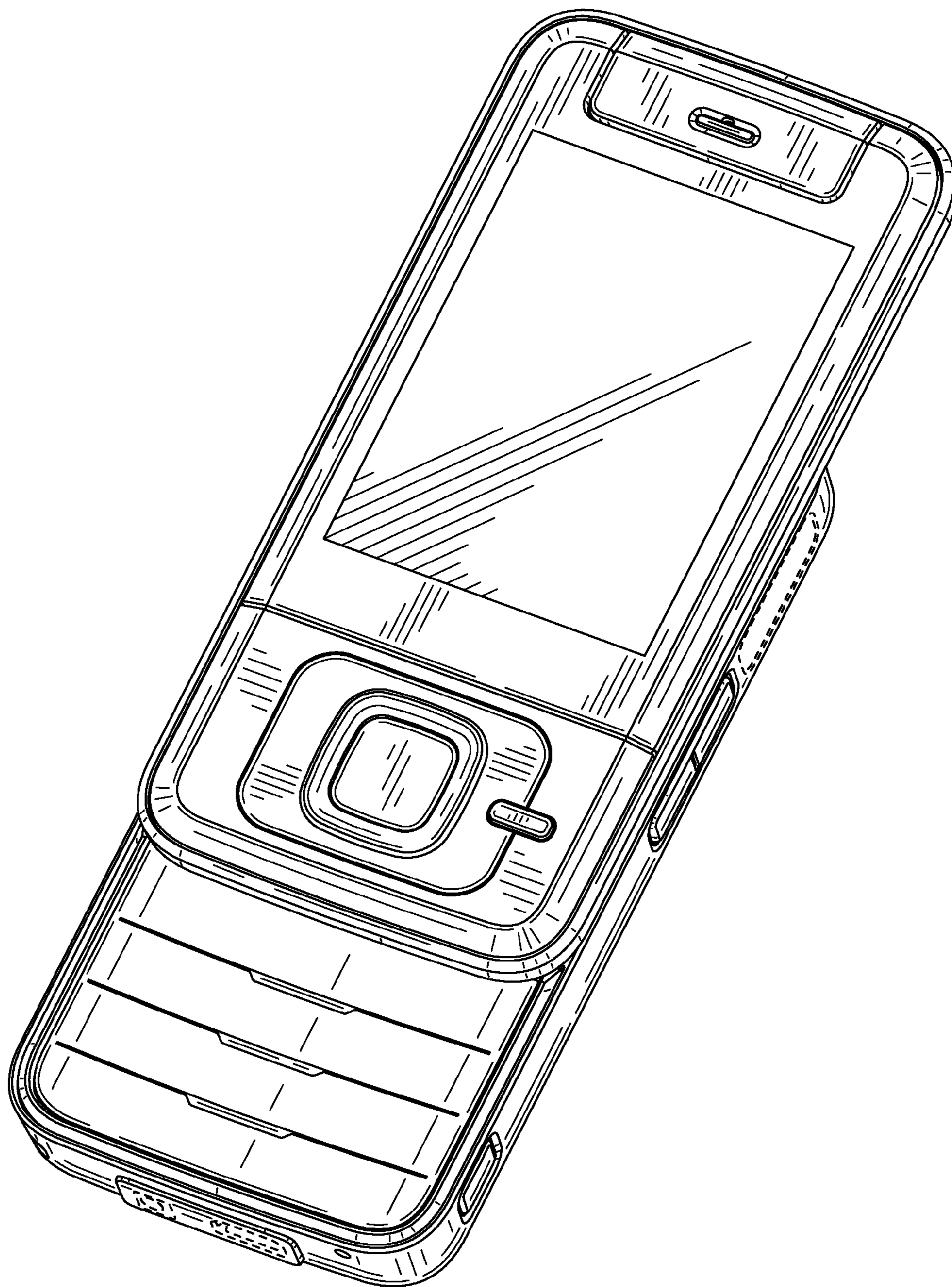


FIG. 10



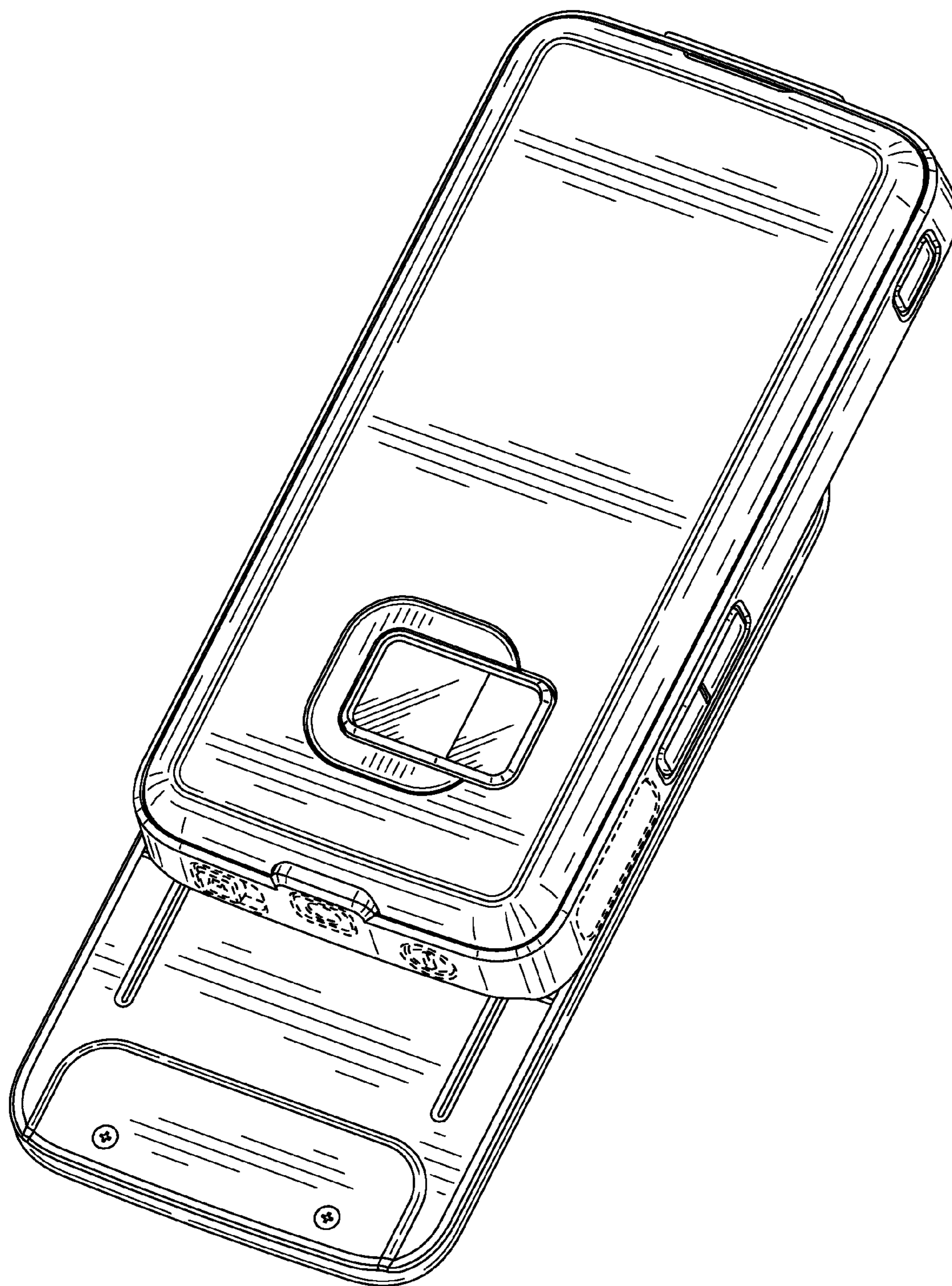


FIG. 11