



US00D581380S

(12) **United States Design Patent**  
**Derocher et al.**

(10) **Patent No.:** **US D581,380 S**  
(45) **Date of Patent:** **\*\* Nov. 25, 2008**

(54) **SCREEN ASSEMBLY FOR CONFERENCING ENVIRONMENT**

(75) Inventors: **Michael D. Derocher**, Corvallis, OR (US); **Mark Prommel**, New York, NY (US); **Wilfrido Loor Canizares**, New York, NY (US); **Lucas Williams**, New York, NY (US)

(73) Assignee: **Hewlett-Packard Development Company, L.P.**, Houston, TX (US)

(\*\*) Term: **14 Years**

(21) Appl. No.: **29/292,115**

(22) Filed: **Sep. 28, 2007**

(51) **LOC (8) Cl.** ..... **14-03**

(52) **U.S. Cl.** ..... **D14/127**

(58) **Field of Classification Search** ..... D14/125-134, D14/239, 371, 136, 374-377, 440, 450, 448, D14/336, 342; 312/7.2; 348/836, 838, 180, 348/184, 325, 739; 341/12; 248/917-924, 248/465; 345/104, 133, 156, 168, 87, 173; 720/605, 669, 600, 655; 369/99, 197; 455/344, 455/347; D21/329, 515, 577, 622, 333, 433, D21/448, 452, 450, 331; D6/477, 479; 273/148 B; 446/484, 175, 356; D10/15, 26  
See application file for complete search history.

(56) **References Cited**

**U.S. PATENT DOCUMENTS**

3,909,525 A \* 9/1975 Fagan ..... 348/383  
D340,229 S \* 10/1993 Drabczyk et al. .... D14/306

5,537,127 A \* 7/1996 Jingu ..... 248/921  
5,926,153 A \* 7/1999 Ohishi et al. .... 345/1.1  
D439,223 S \* 3/2001 Sheckler ..... D14/125  
D440,543 S \* 4/2001 Kodimer ..... D14/127  
D566,702 S \* 4/2008 Malone et al. .... D14/307

\* cited by examiner

*Primary Examiner*—Raphael Barkai

(57) **CLAIM**

The ornamental design for a screen assembly for conferencing environment, as shown and described.

**DESCRIPTION**

FIG. 1 is an isometric view of a screen assembly for conferencing environment showing the new design.

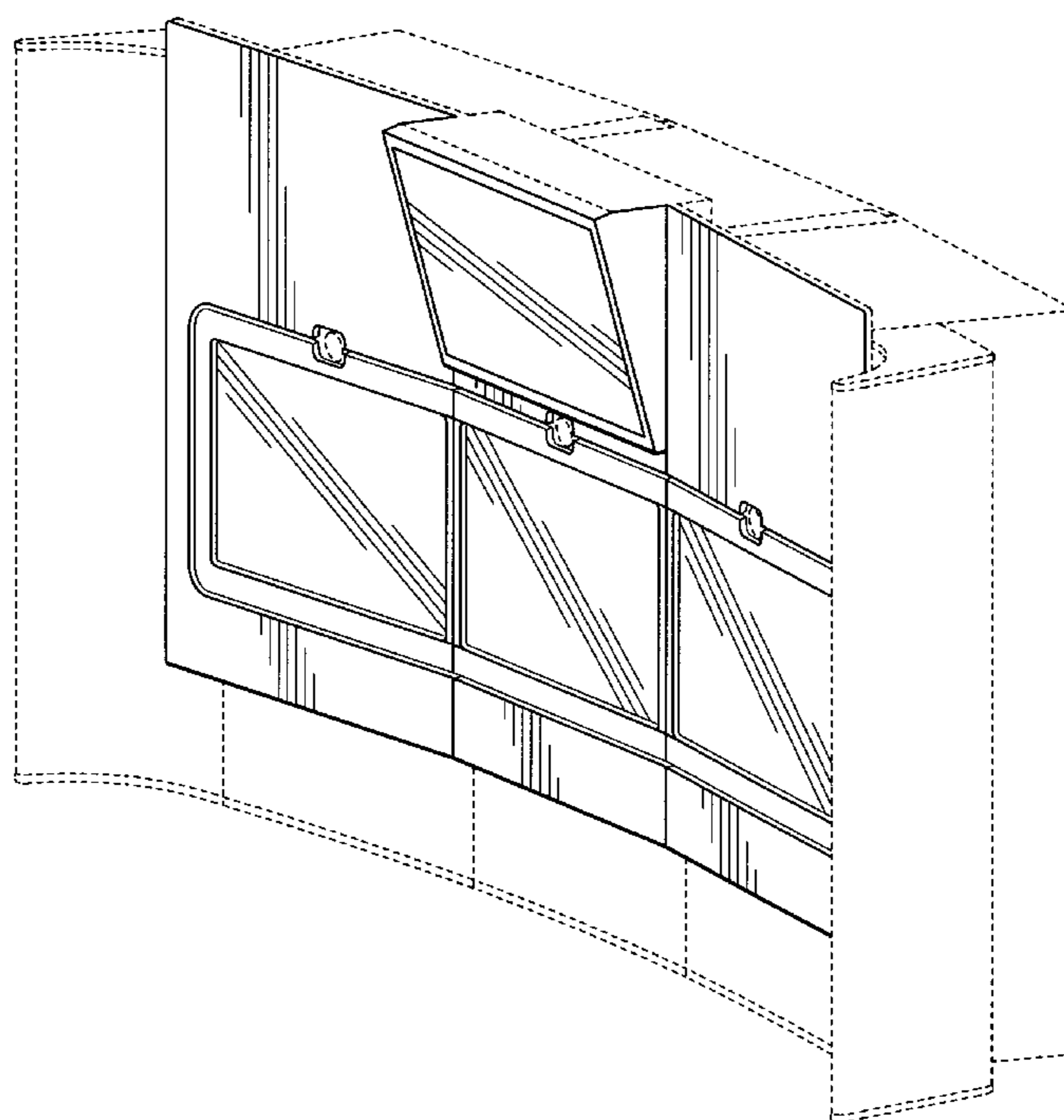
FIG. 2 is a front view of the new design; and,

FIG. 3 is a top view of the new design.

The broken or dashed lines shown in the drawings are for illustrative purposes only and form no part of the claimed design.

The shading lines shown in the drawings represent the approximate three-dimensional contour of the design, and are not intended to indicate surface decoration.

**1 Claim, 3 Drawing Sheets**



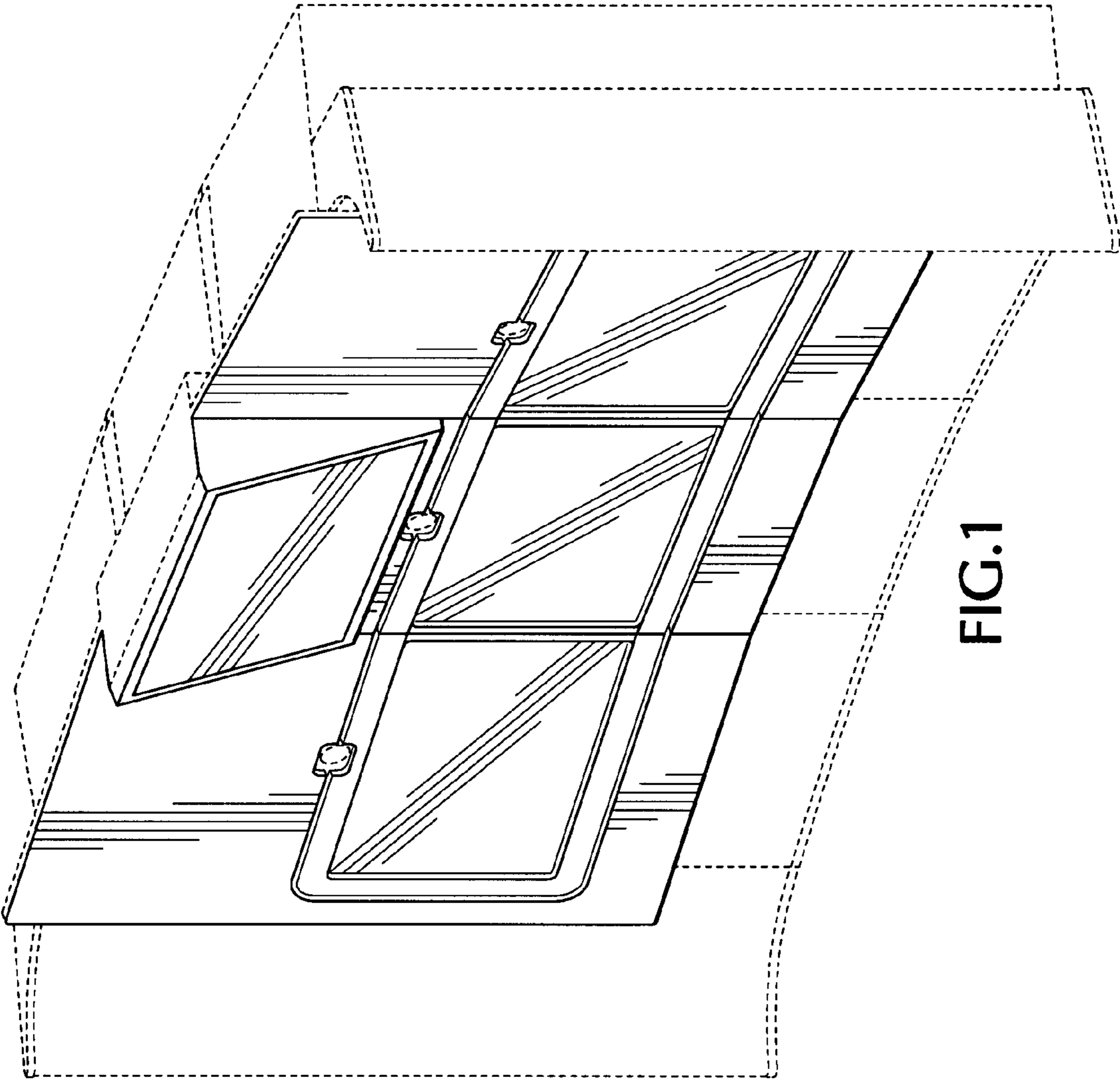


FIG.1

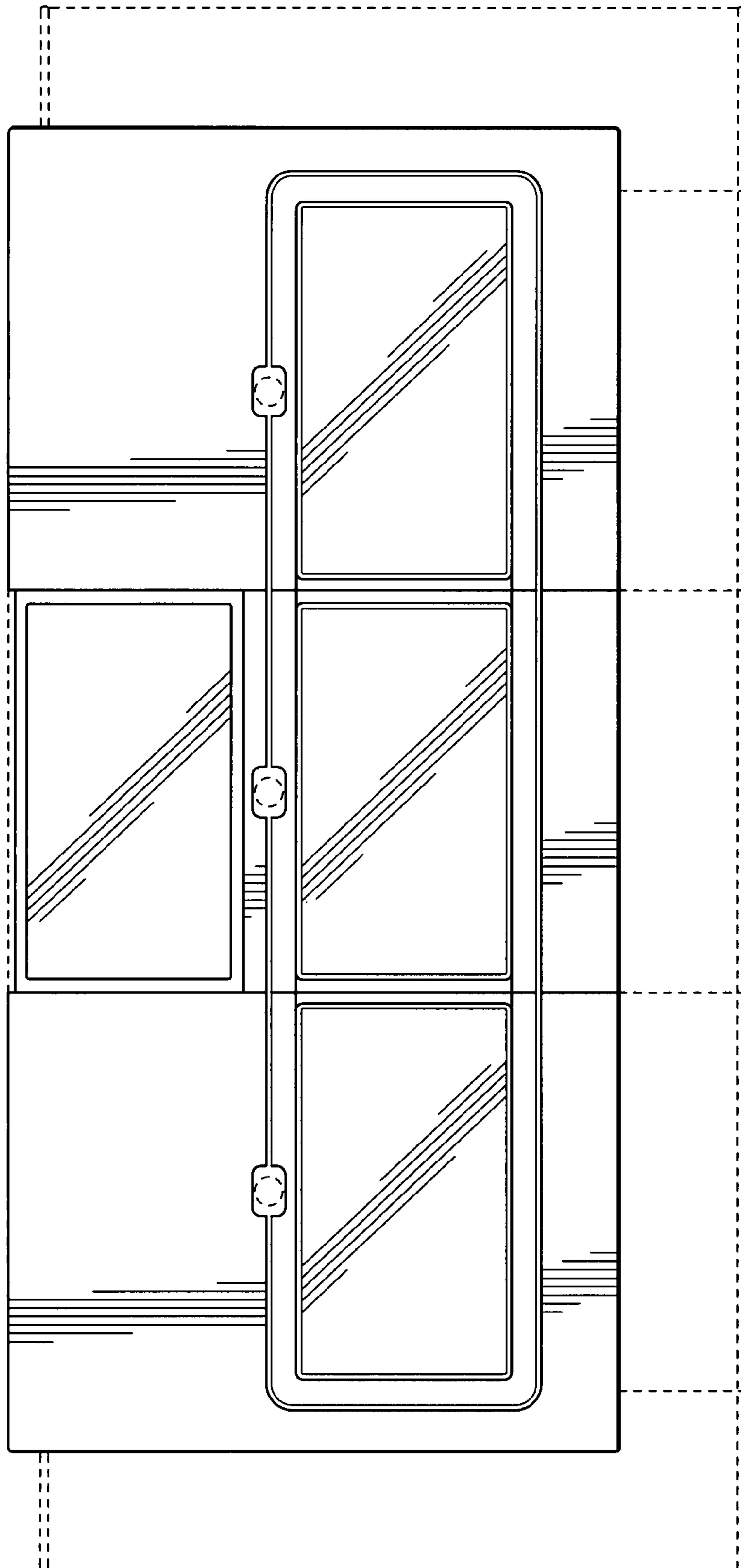


FIG.2

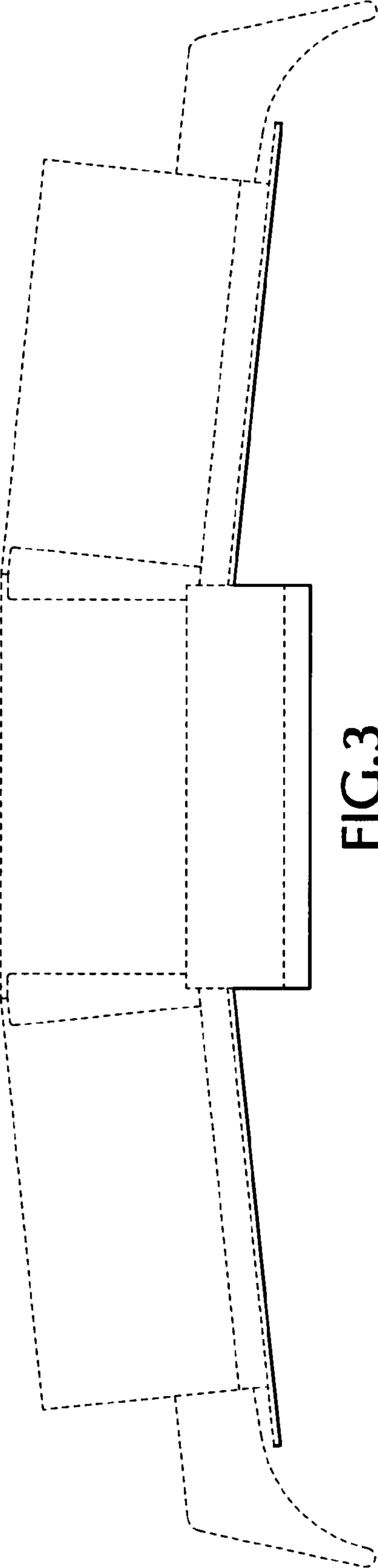


FIG.3