



US00D581374S

(12) **United States Design Patent**
Horng et al.

(10) **Patent No.:** **US D581,374 S**

(45) **Date of Patent:** **** Nov. 25, 2008**

(54) **MINI FAN CASING**

(75) Inventors: **Alex Horng**, Kaohsiung (TW); **Tso-Kuo Yin**, Kaohsiung (TW)

(73) Assignee: **Sunonwealth Electric Machine Industry Co., Ltd.**, Kaohsiung (TW)

(**) Term: **14 Years**

(21) Appl. No.: **29/272,299**

(22) Filed: **Feb. 6, 2007**

(51) **LOC (8) Cl.** **13-03**

(52) **U.S. Cl.** **D13/179**

(58) **Field of Classification Search** D13/179;
165/80.3, 104.33, 151, 122, 185; 257/706,
257/707, 718-722; 361/687, 695, 697, 700,
361/702, 704, 709, 710, 711, 719

See application file for complete search history.

(56) **References Cited**

U.S. PATENT DOCUMENTS

5,297,617	A *	3/1994	Herbert	165/80.3
D356,777	S *	3/1995	Katsui et al.	D13/179
D357,900	S *	5/1995	Katsui et al.	D13/179
5,419,780	A *	5/1995	Suski	136/205
5,484,262	A *	1/1996	Thomas et al.	415/178

5,494,098	A *	2/1996	Morosas	165/121
5,597,034	A *	1/1997	Barker et al.	165/80.3
5,704,419	A *	1/1998	Agonafer et al.	165/121
6,345,664	B1 *	2/2002	Katsui	165/80.3
6,655,929	B2 *	12/2003	Hsieh	417/368
2003/0015311	A1 *	1/2003	Lin et al.	165/80.3

* cited by examiner

Primary Examiner—Selina Sikder

(74) *Attorney, Agent, or Firm*—Bacon & Thomas, PLLC

(57) **CLAIM**

The ornamental design for mini fan casing, and described as shown.

DESCRIPTION

FIG. 1 is a perspective view of the mini fan casing in accordance with the claimed design;

FIG. 2 is a front elevational view thereof;

FIG. 3 is a rear elevational view thereof;

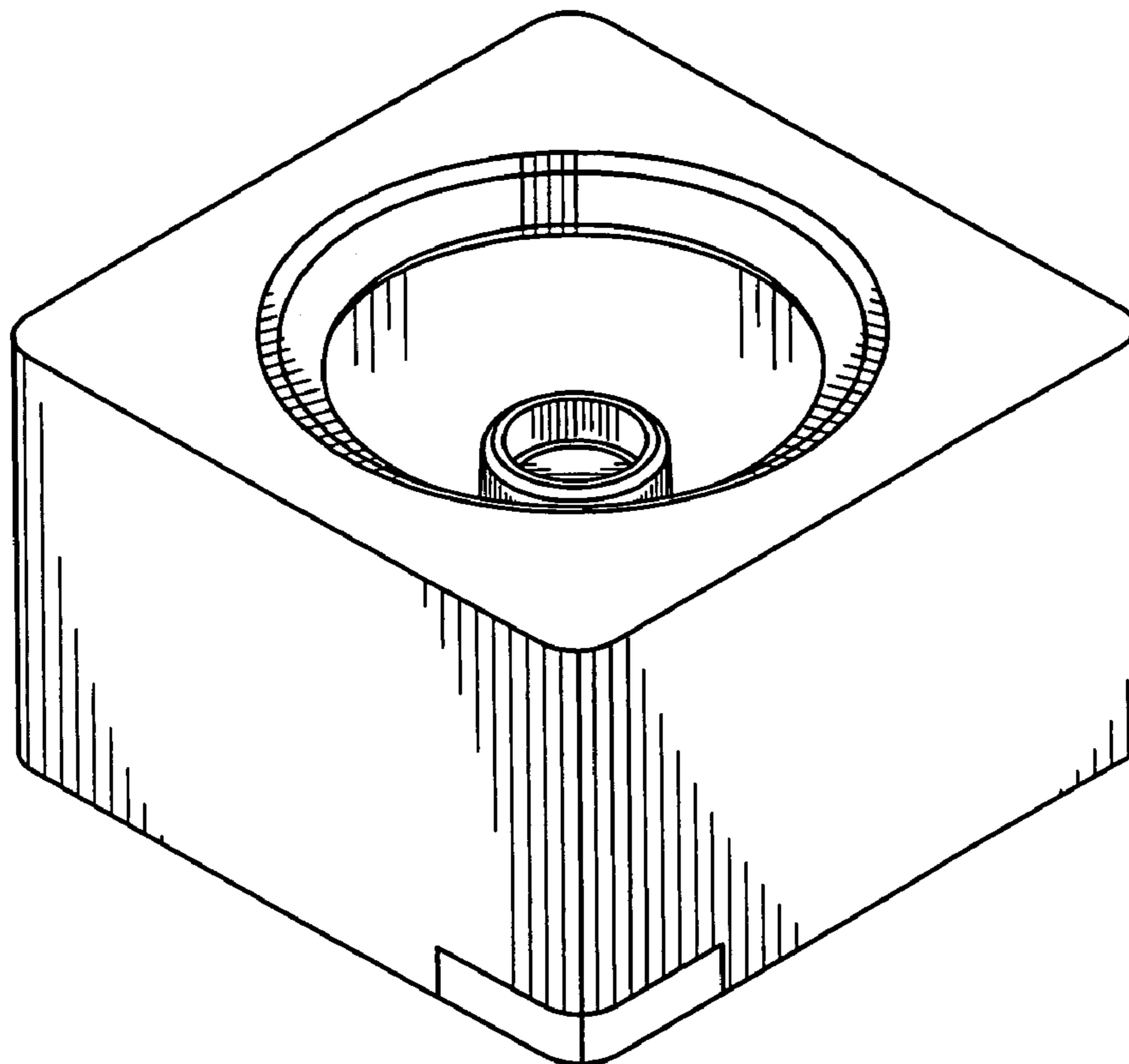
FIG. 4 is a left side elevational view thereof;

FIG. 5 is a right side elevational view thereof;

FIG. 6 is a top plan view thereof; and,

FIG. 7 is a bottom plan view thereof wherein the broken lines represent unclaimed subject matter.

1 Claim, 4 Drawing Sheets



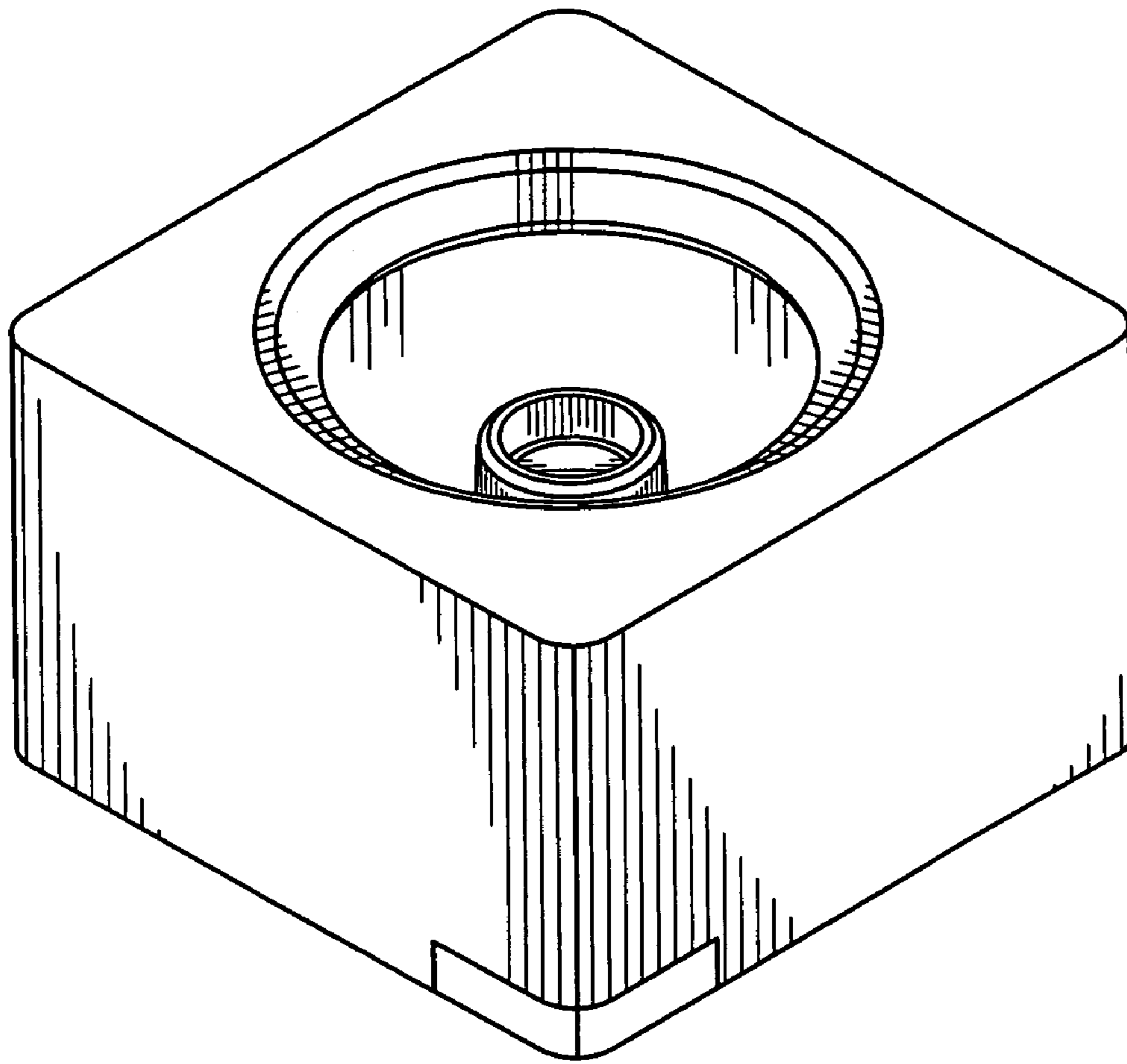


FIG. 1

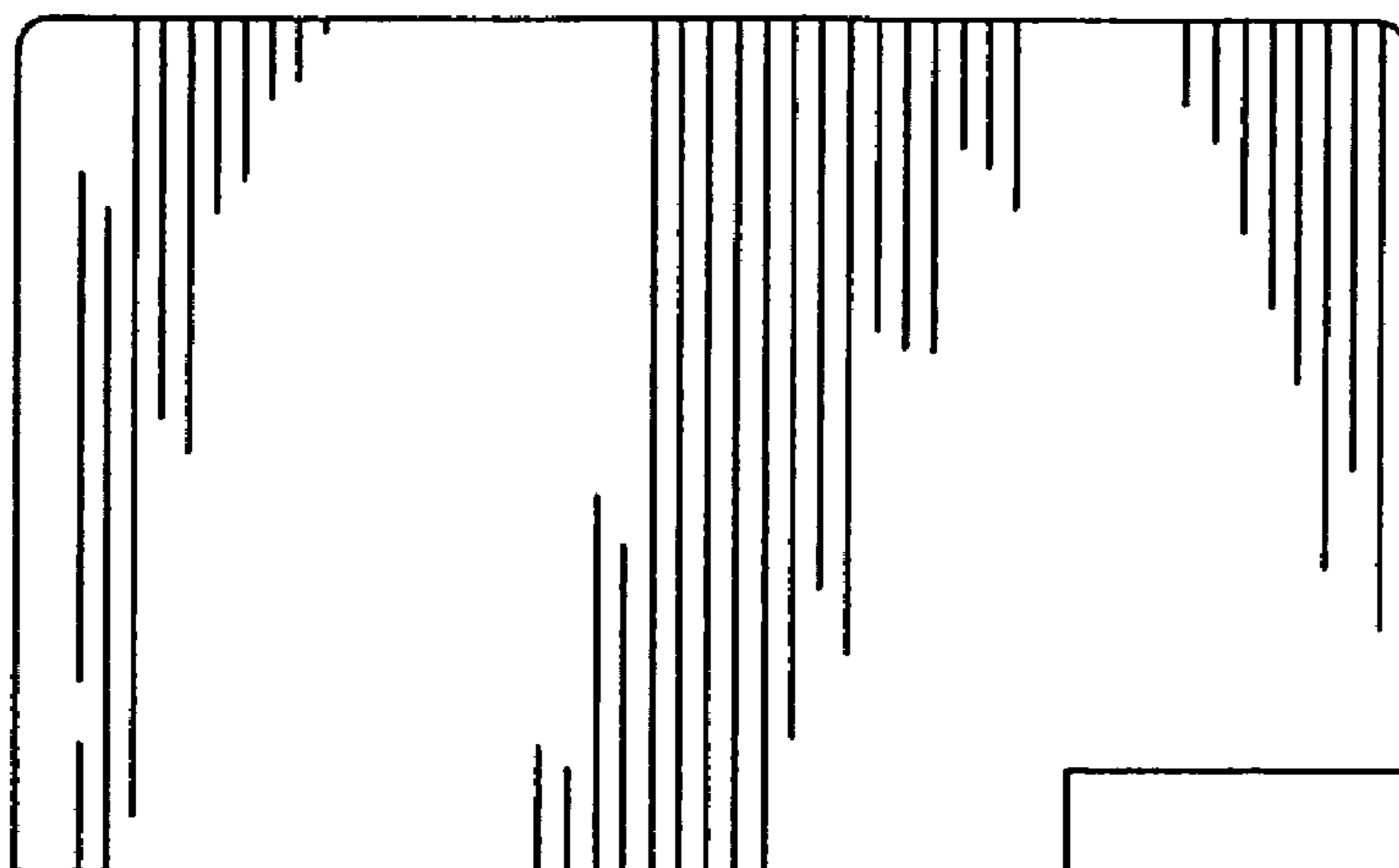


FIG. 2

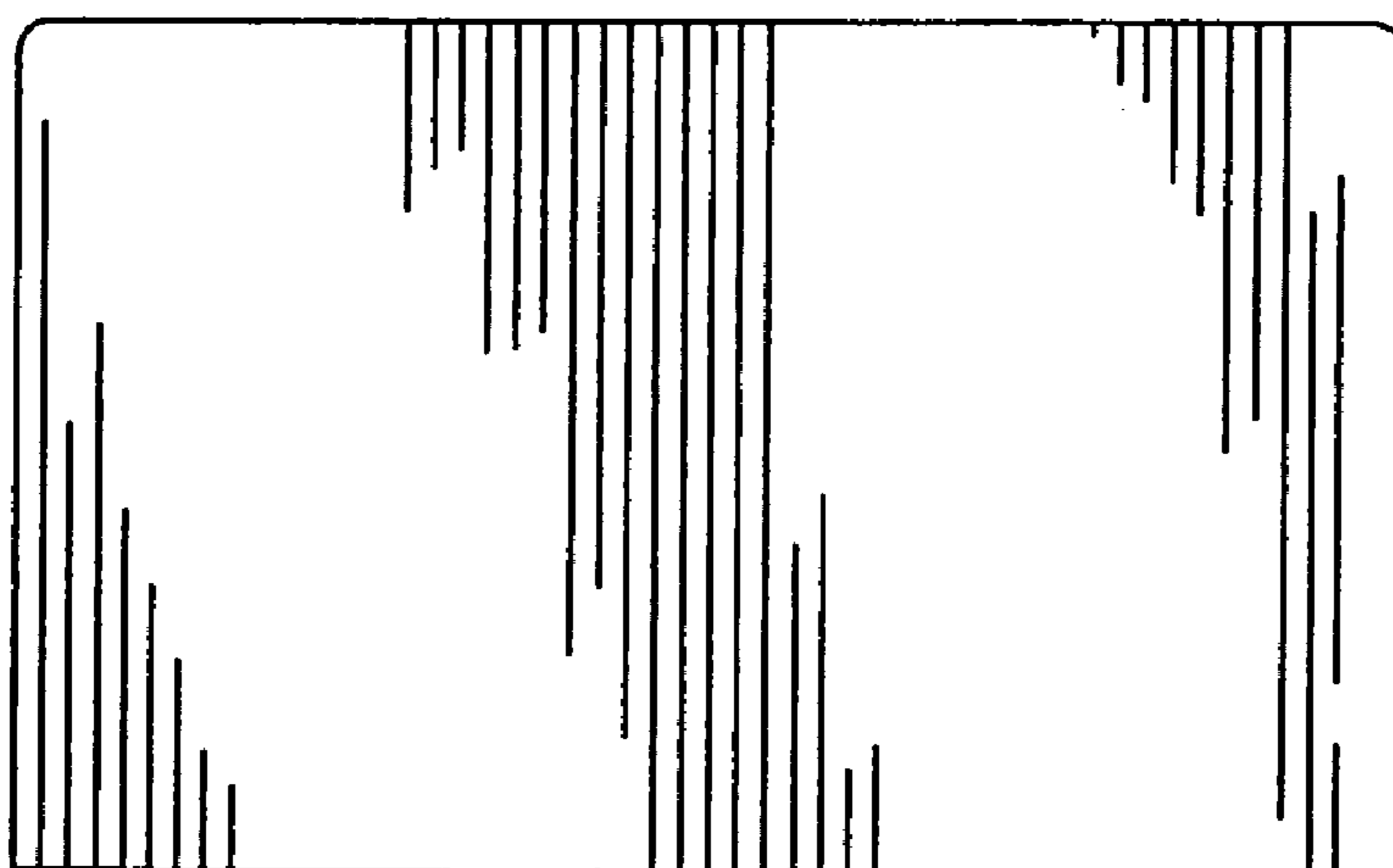


FIG. 3

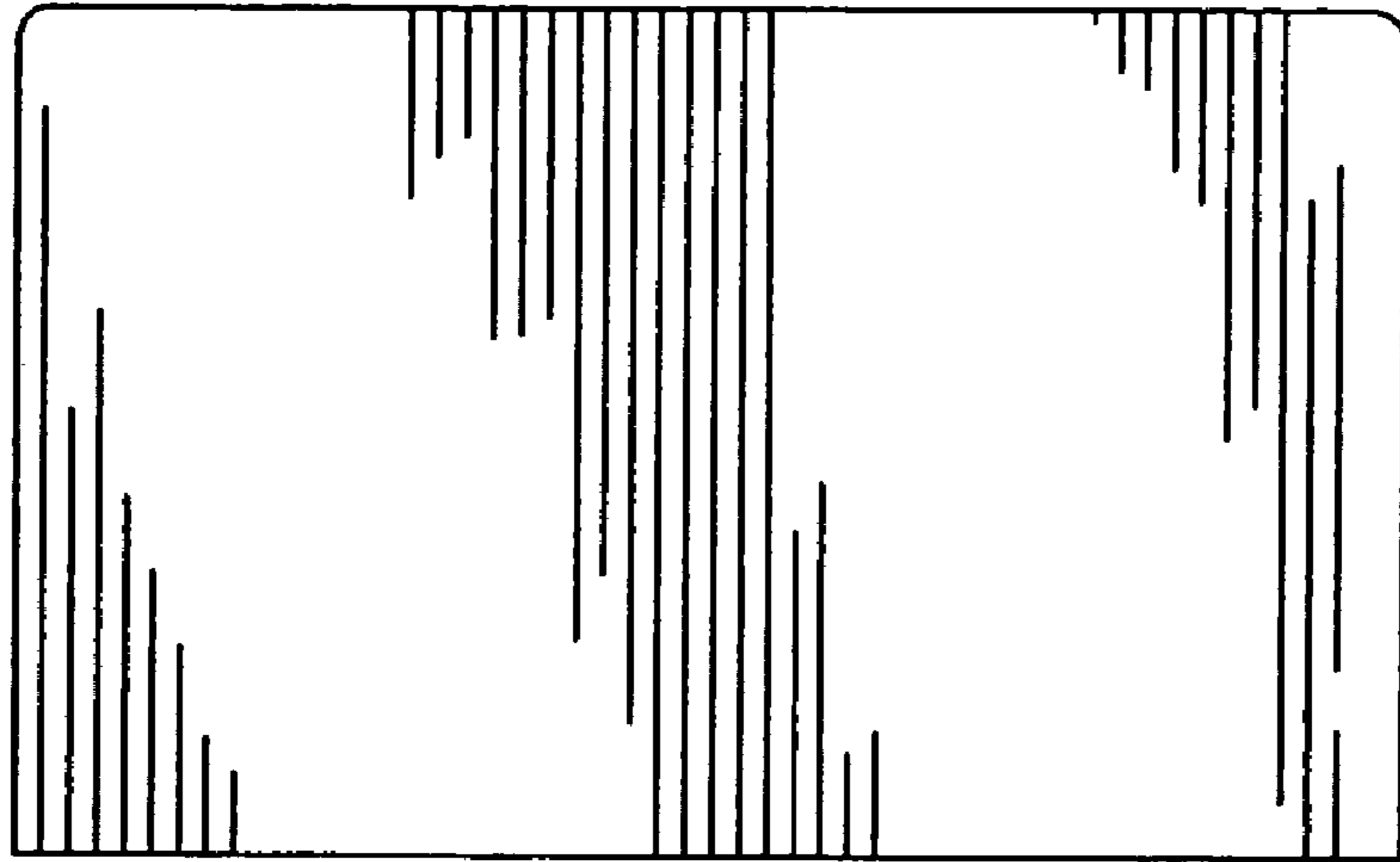


FIG. 4

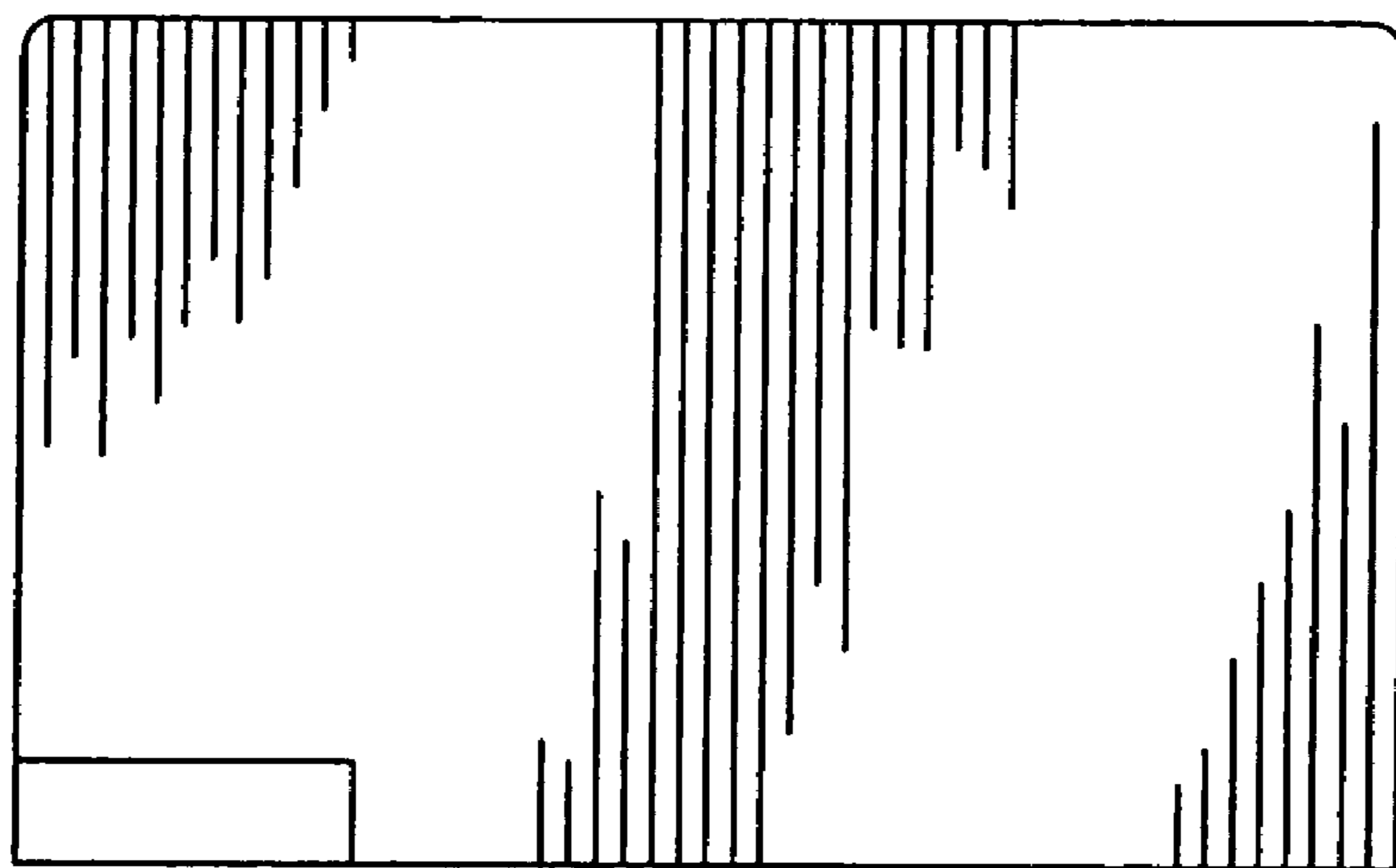


FIG. 5

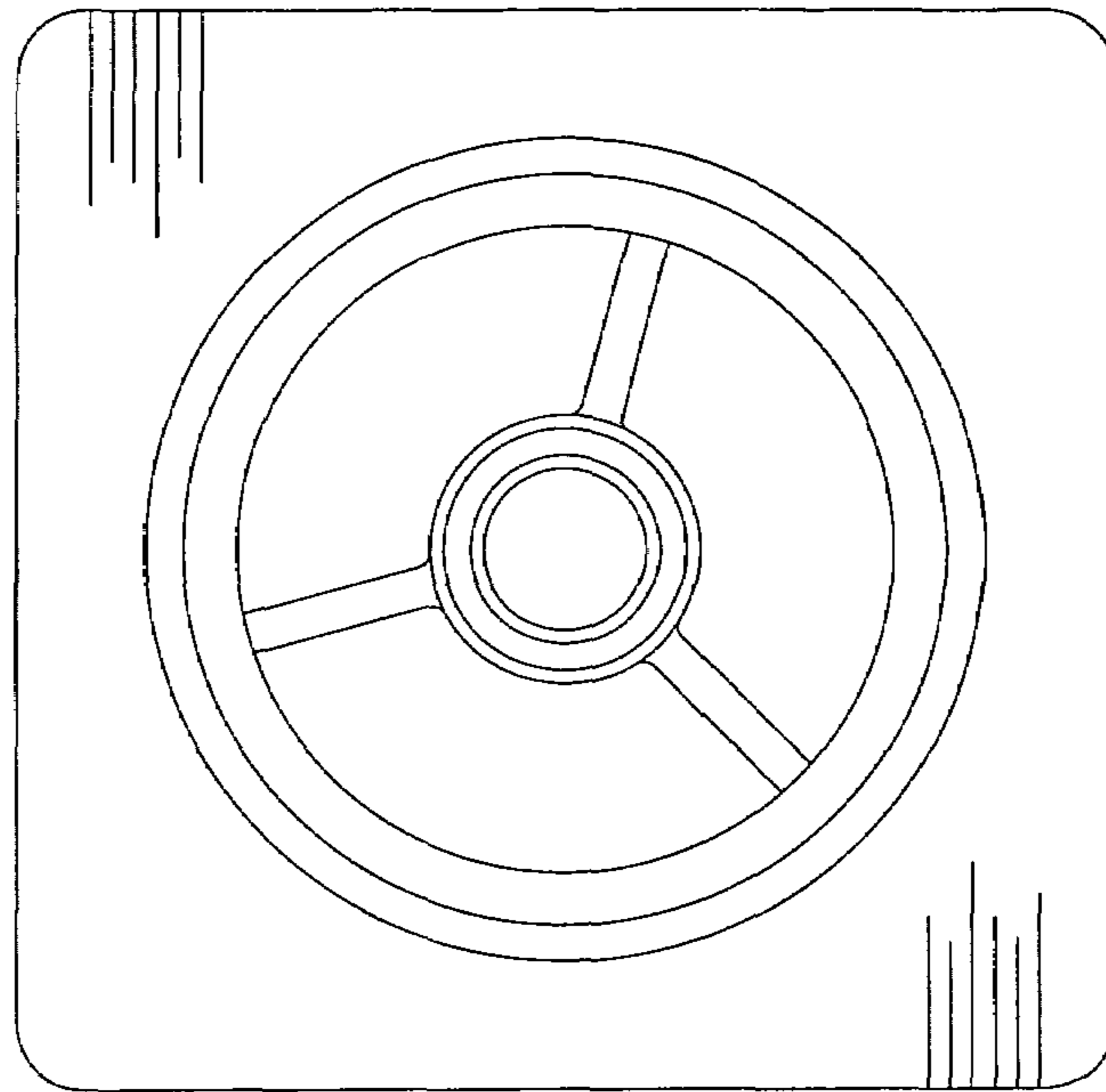


FIG. 6

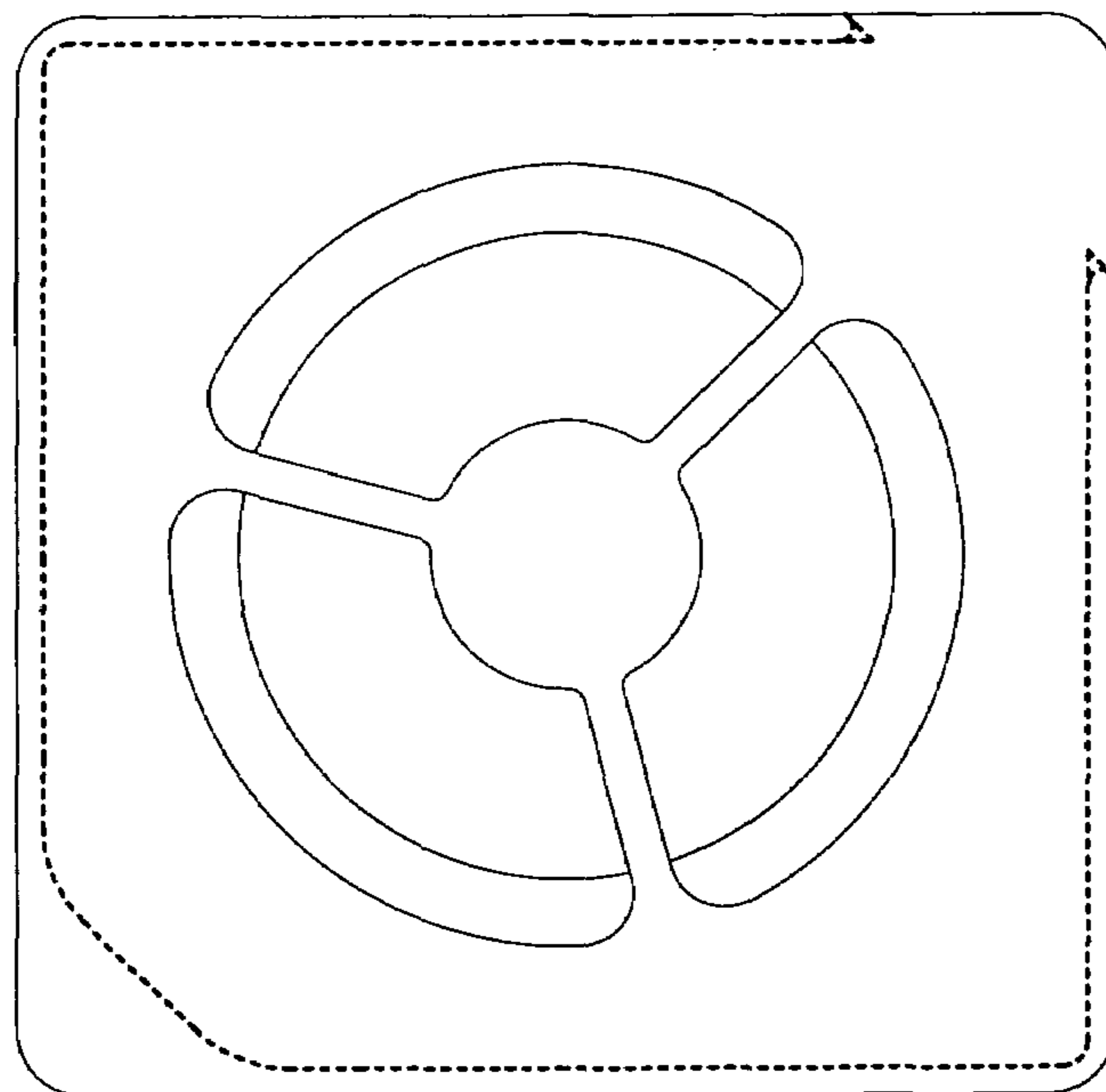


FIG. 7