



US00D581373S

(12) **United States Design Patent**
Sugiyama et al.

(10) **Patent No.:** **US D581,373 S**
(45) **Date of Patent:** **** Nov. 25, 2008**

(54) **FAN**
(75) Inventors: **Tomotsugu Sugiyama**, Kyoto (JP);
Shinji Takemoto, Kyoto (JP); **Yuji**
Yabuuchi, Kyoto (JP); **Shoichiro**
Yamada, Kyoto (JP)

JP 1135788 S 3/2002
JP 1162679 S 1/2003
JP 1163108 S 1/2003
JP 1163109 S 1/2003
JP 1163110 S 1/2003
JP 1197937 S 2/2004
JP 1198316 S 2/2004
JP 1211315 S 7/2004

(73) Assignee: **Nidec Corporation**, Kyoto (JP)

(**) Term: **14 Years**

(21) Appl. No.: **29/248,107**

(22) Filed: **Jul. 28, 2006**

(30) **Foreign Application Priority Data**

Feb. 21, 2006 (JP) 2006-004035

(51) **LOC (8) Cl.** **13-03**

(52) **U.S. Cl.** **D13/179**

(58) **Field of Classification Search** D13/179;
165/80.3, 104.33, 151, 122, 185; 257/706,
257/707, 718-722; 361/687, 695, 697, 700,
361/702, 704, 709, 710, 711, 719; D23/370

See application file for complete search history.

(56) **References Cited**

U.S. PATENT DOCUMENTS

6,493,225 B2 * 12/2002 Chuang et al. 361/695
6,667,884 B1 * 12/2003 Lee et al. 361/697
D487,800 S * 3/2004 Chen et al. D23/370
6,816,373 B2 * 11/2004 Lee et al. 361/697
7,172,390 B2 * 2/2007 Lu et al. 415/213.1
7,289,330 B2 * 10/2007 Lu et al. 361/710
D560,622 S * 1/2008 Ishihara et al. D13/179
7,317,267 B2 * 1/2008 Schmid et al. 310/51
2003/0221815 A1 * 12/2003 Wang 165/80.3
2006/0093475 A1 * 5/2006 Liu et al. 415/176
2007/0044942 A1 * 3/2007 Mou 165/104.33

FOREIGN PATENT DOCUMENTS

JP 1012112 S 6/1998
JP 1097838 S 1/2001

OTHER PUBLICATIONS

Translation of the official communication issued in the counterpart Japanese Application No. 2006-004035, mailed on Nov. 10, 2006.
Translation of the official communication issued in the counterpart Japanese Application No. 2006-004035, mailed on Jan. 26, 2007.
Translation of the official communication issued in the counterpart Taiwanese Application No. 095303174, transmitted on Mar. 28, 2007.
Translation of the official communication issued in the counterpart Taiwanese Application No. 095303174, mailed on Jun. 21, 2007.
Jidoka-Gijutsu (Automation Technology) vol. 7, Jul. 1, 1990.
Asia Sources, "Electronic Components", p. 199, Aug. 2004.

* cited by examiner

Primary Examiner—Selina Sikder

(74) *Attorney, Agent, or Firm*—Keating & Bennett, LLP

(57) **CLAIM**

The ornamental design for a fan, as shown and described.

DESCRIPTION

FIG. 1 is a front elevation view of a fan showing our new design;

FIG. 2 is a rear elevation view thereof;

FIG. 3 is a right side elevation view thereof;

FIG. 4 is a left side elevation view thereof;

FIG. 5 is a top plan view thereof;

FIG. 6 is a bottom plan view thereof;

FIG. 7 is a perspective view thereof; and,

FIG. 8 is a sectional view thereof along line 8—8 in FIG. 5.

1 Claim, 8 Drawing Sheets

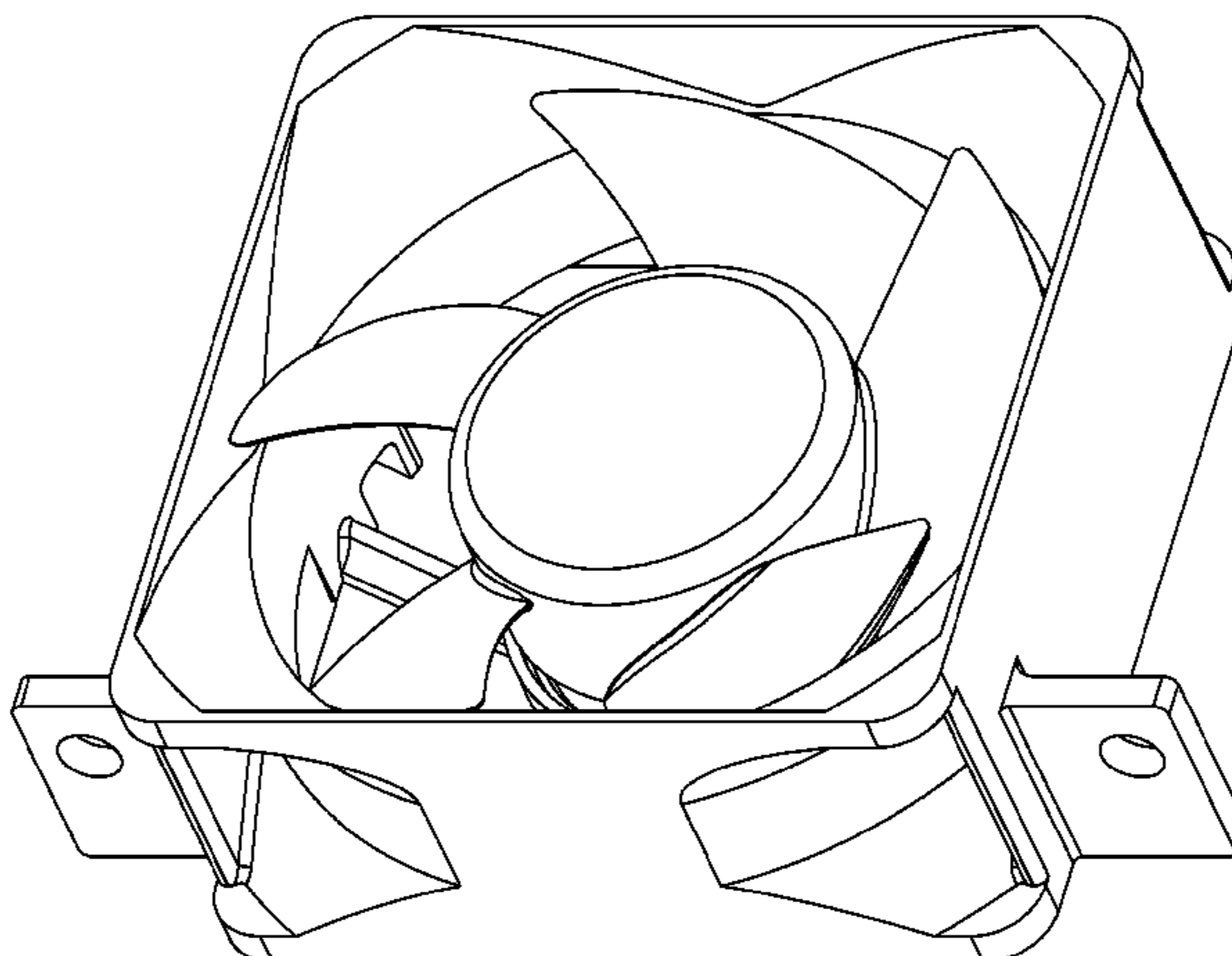


Fig. 1

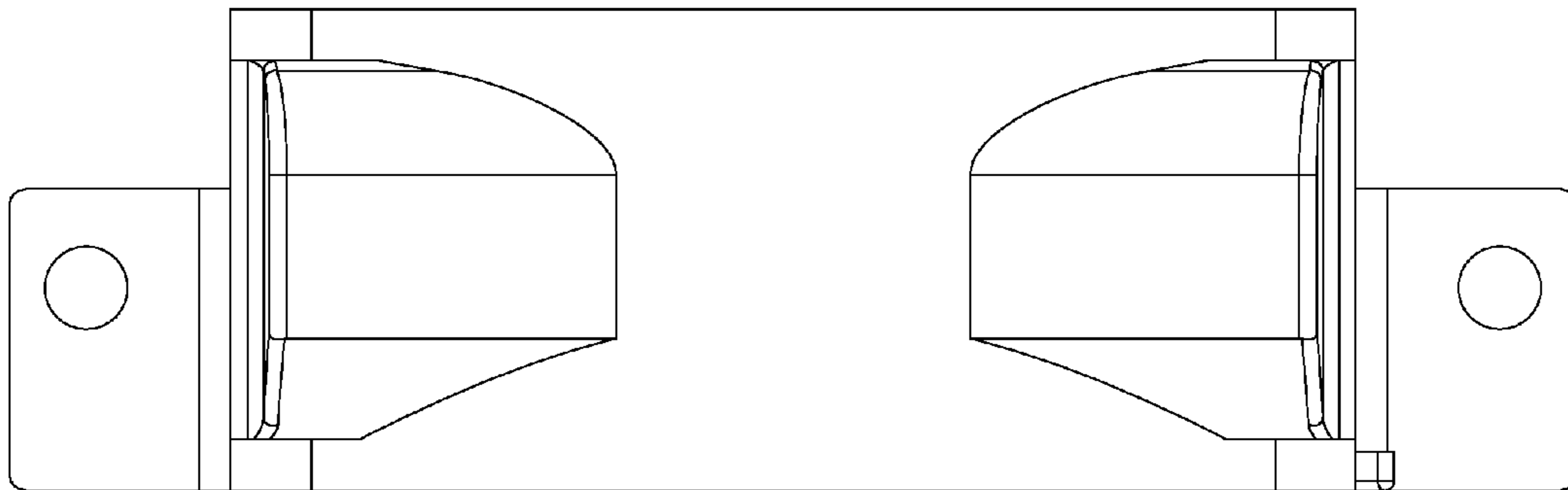


Fig. 2

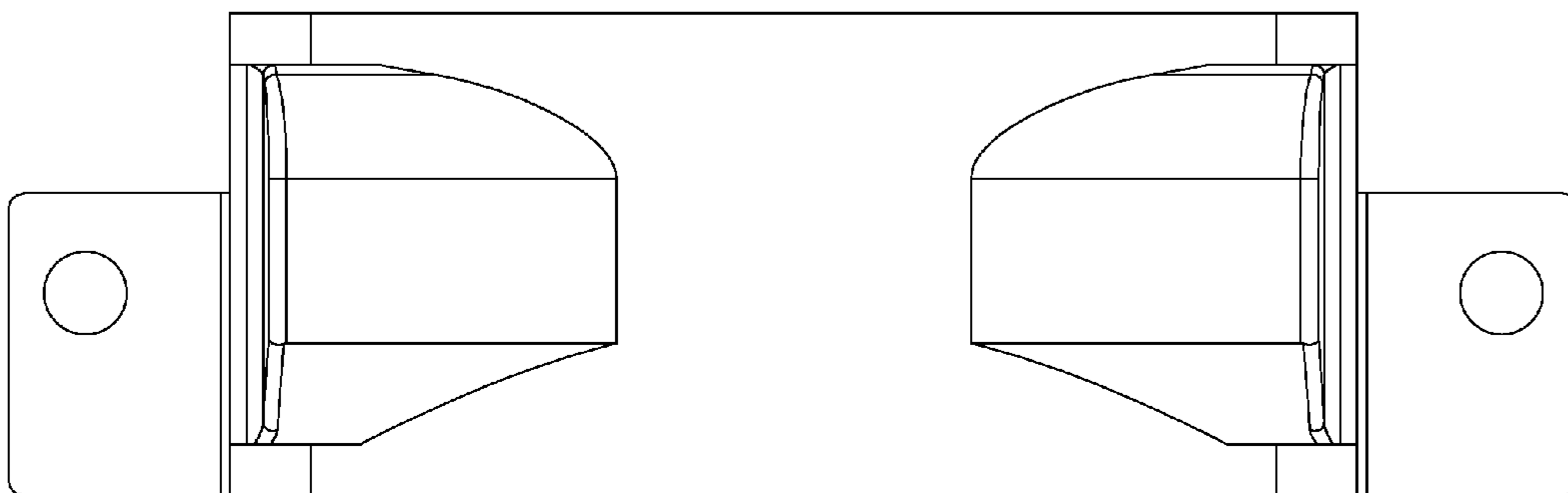


Fig. 3

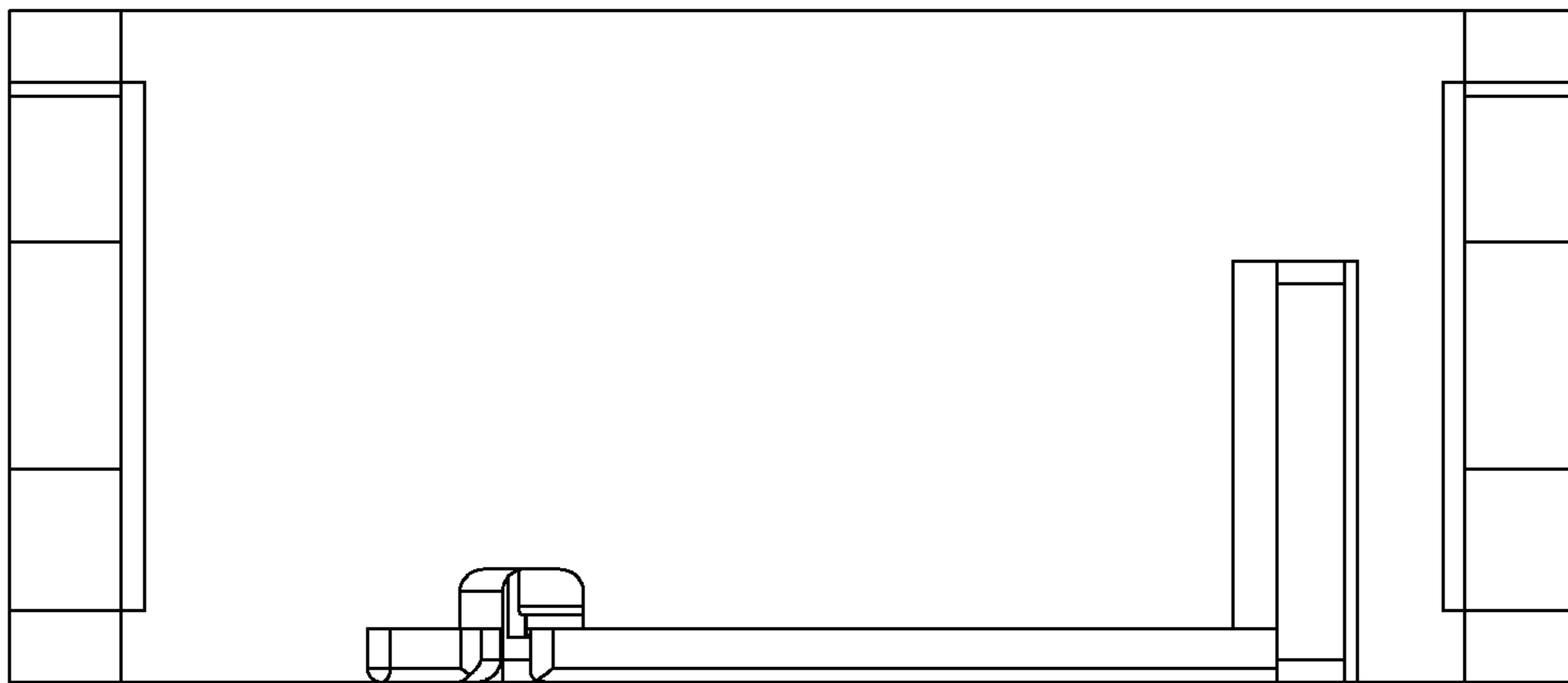


Fig. 4



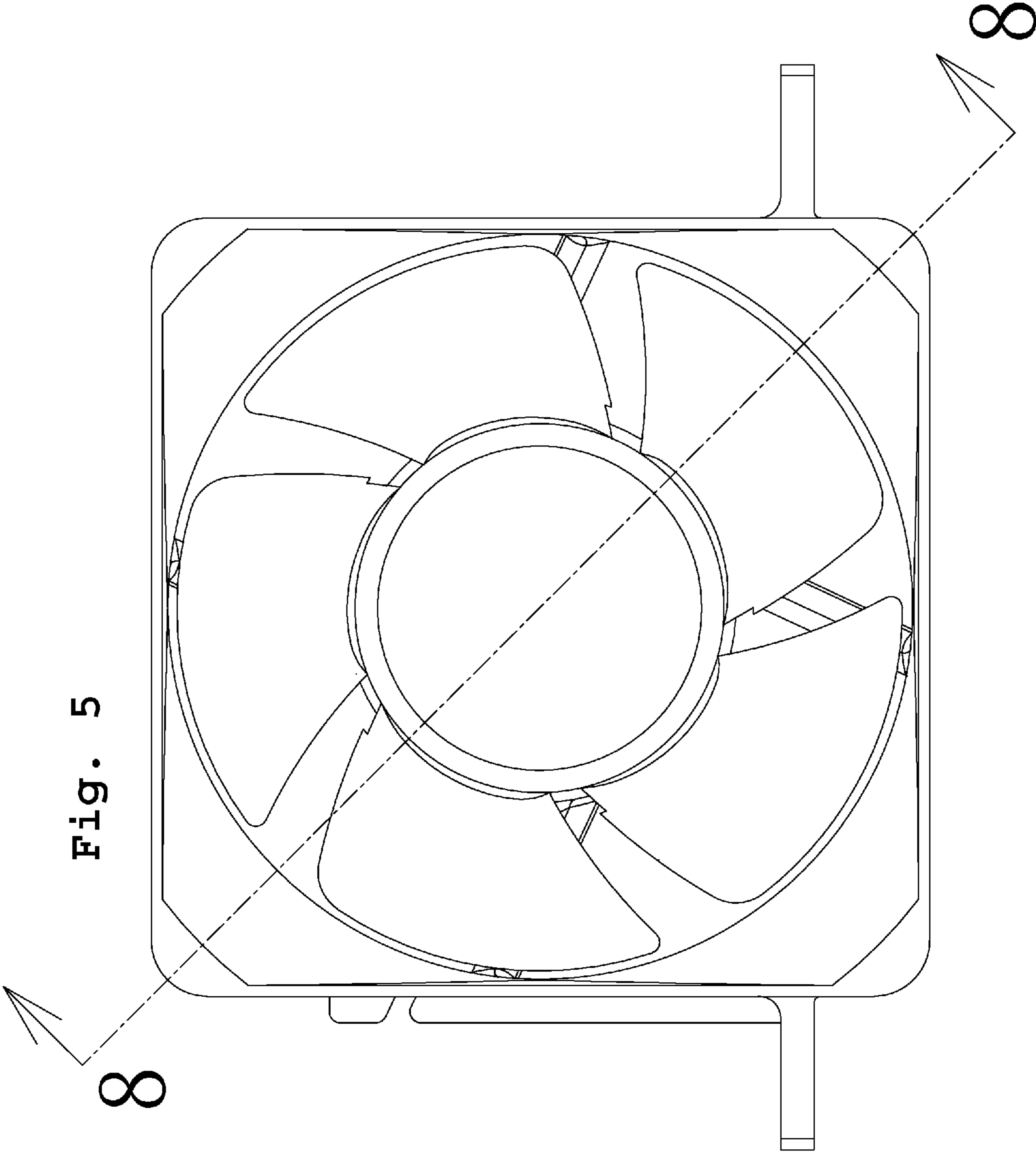


Fig. 6

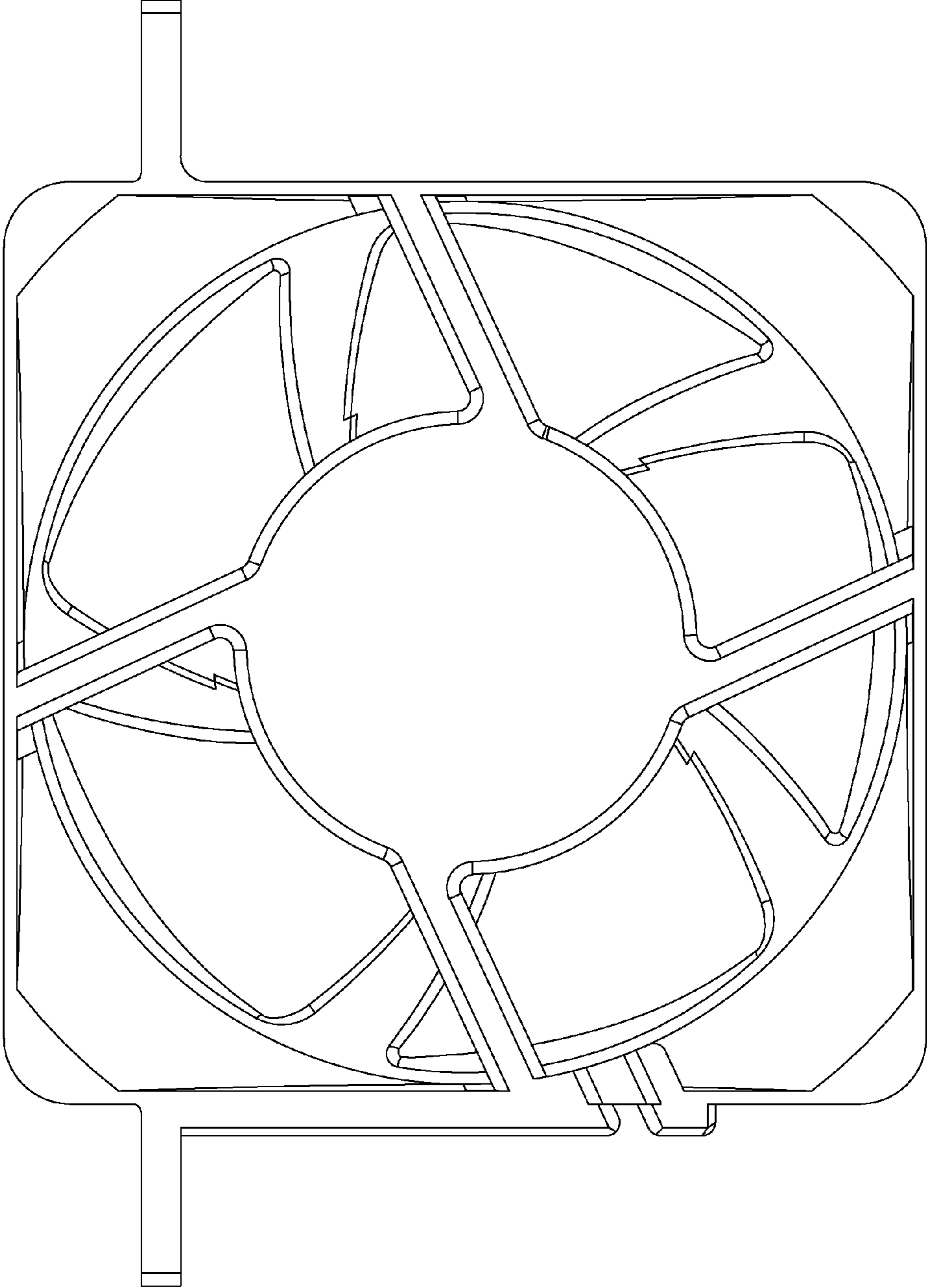


Fig. 7

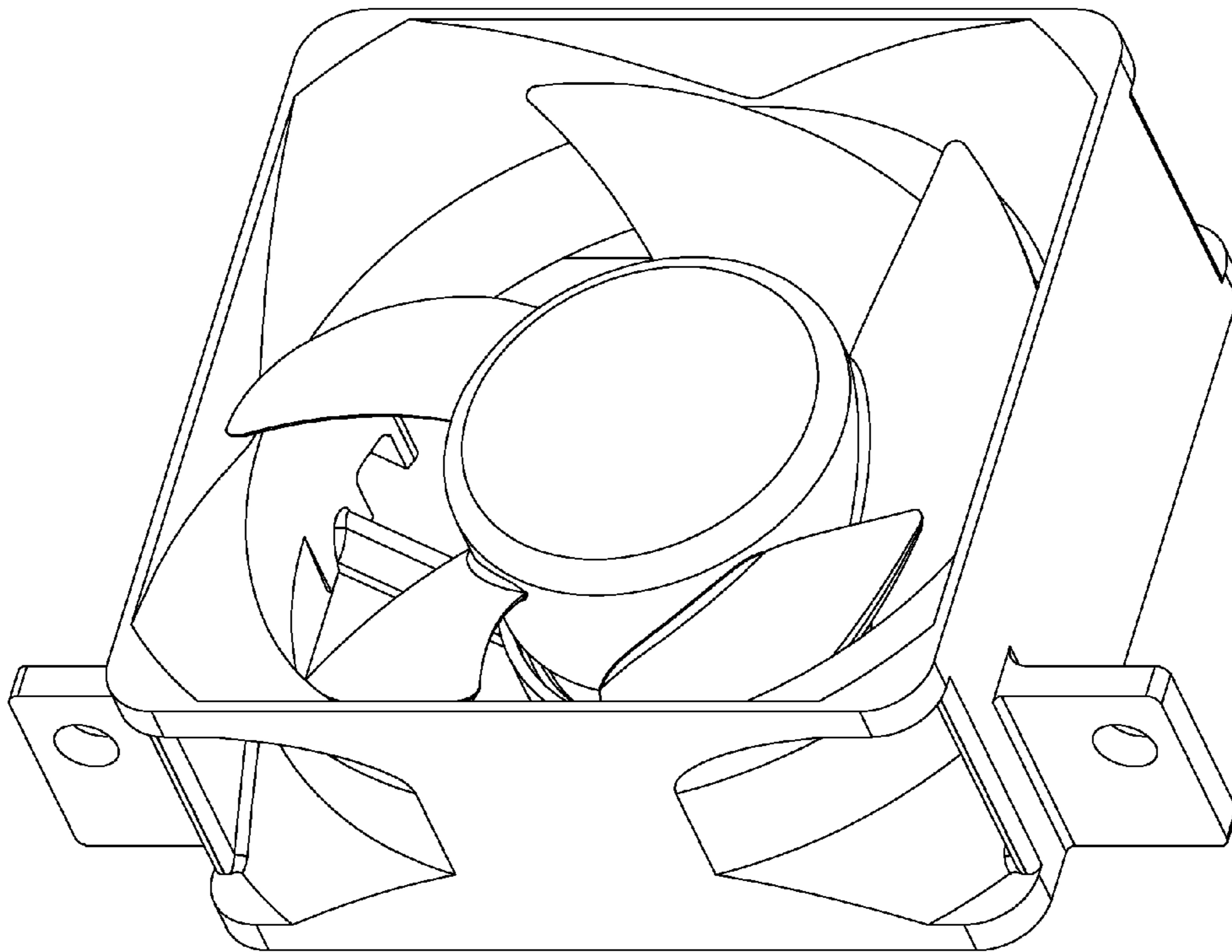


Fig. 8

