



US00D581372S

(12) **United States Design Patent**
Mace et al.

(10) **Patent No.:** **US D581,372 S**
(45) **Date of Patent:** **** *Nov. 25, 2008**

(54) **DIMMER SWITCH**

D479,206 S 9/2003 Mayo et al.

(Continued)

(75) Inventors: **Eric Johnathan Mace**, Whitehall, PA (US); **John Hewson**, Philadelphia, PA (US)

(73) Assignee: **Lutron Electronics Co., Inc.**, Coopersburg, PA (US)

(*) Notice: This patent is subject to a terminal disclaimer.

(**) Term: **14 Years**

(21) Appl. No.: **29/302,831**

(22) Filed: **Jan. 25, 2008**

Related U.S. Application Data

(62) Division of application No. 29/267,915, filed on Oct. 25, 2006, now Pat. No. Des. 566,048.

(51) **LOC (8) Cl.** **13-03**

(52) **U.S. Cl.** **D13/171; D13/174**

(58) **Field of Classification Search** D13/162, D13/169, 170; 174/66; 200/530, 531, 536, 200/252, 293, 333, 335, 329; 338/128, 176; D8/353; 307/116, 125, 139

See application file for complete search history.

(56) **References Cited**

U.S. PATENT DOCUMENTS

5,248,919	A	9/1993	Hanna et al.	
D353,798	S	12/1994	Bryde et al.	
5,637,930	A *	6/1997	Rowen et al.	307/112
D436,930	S	1/2001	Butler	
D471,880	S	3/2003	Mayo et al.	
D472,527	S	4/2003	Mayo et al.	
D477,290	S	7/2003	Mayo et al.	
D477,573	S	7/2003	Mayo et al.	
D477,574	S *	7/2003	Mayo et al.	D13/171
D477,578	S	7/2003	Mayo et al.	
D478,554	S	8/2003	Mayo et al.	

OTHER PUBLICATIONS

Lutron Electronics Co., Inc., Switching Systems Technical Guide, Aug. 2004, pp. front cover, 51, rear cover.
U.S. Appl. No. 29/278,494, filed Mar. 30, 2007, Mace et al.
U.S. Appl. No. 29/278,543, filed Apr. 2, 2007, Hewson et al.
U.S. Appl. No. 29/283,972, filed Aug. 28, 2007, Mayo et al.
U.S. Appl. No. 29/295,034, filed Sep. 20, 2007, Ochs et al.

Primary Examiner—Selina Sikder

(74) *Attorney, Agent, or Firm*—Mark E. Rose

(57) **CLAIM**

We claim the ornamental design for a dimmer switch, as shown and described.

DESCRIPTION

FIG. 1 is a perspective view of a dimmer switch according to a first embodiment of our new design.

FIG. 2 is a front view thereof.

FIG. 3 is a left side view thereof.

FIG. 4 is a right side view thereof.

FIG. 5 is a top view thereof.

FIG. 6 is a bottom view thereof.

FIG. 7 is a perspective view of a dimmer switch according to a second embodiment of our new design.

FIG. 8 is a front view thereof.

FIG. 9 is a left side view thereof.

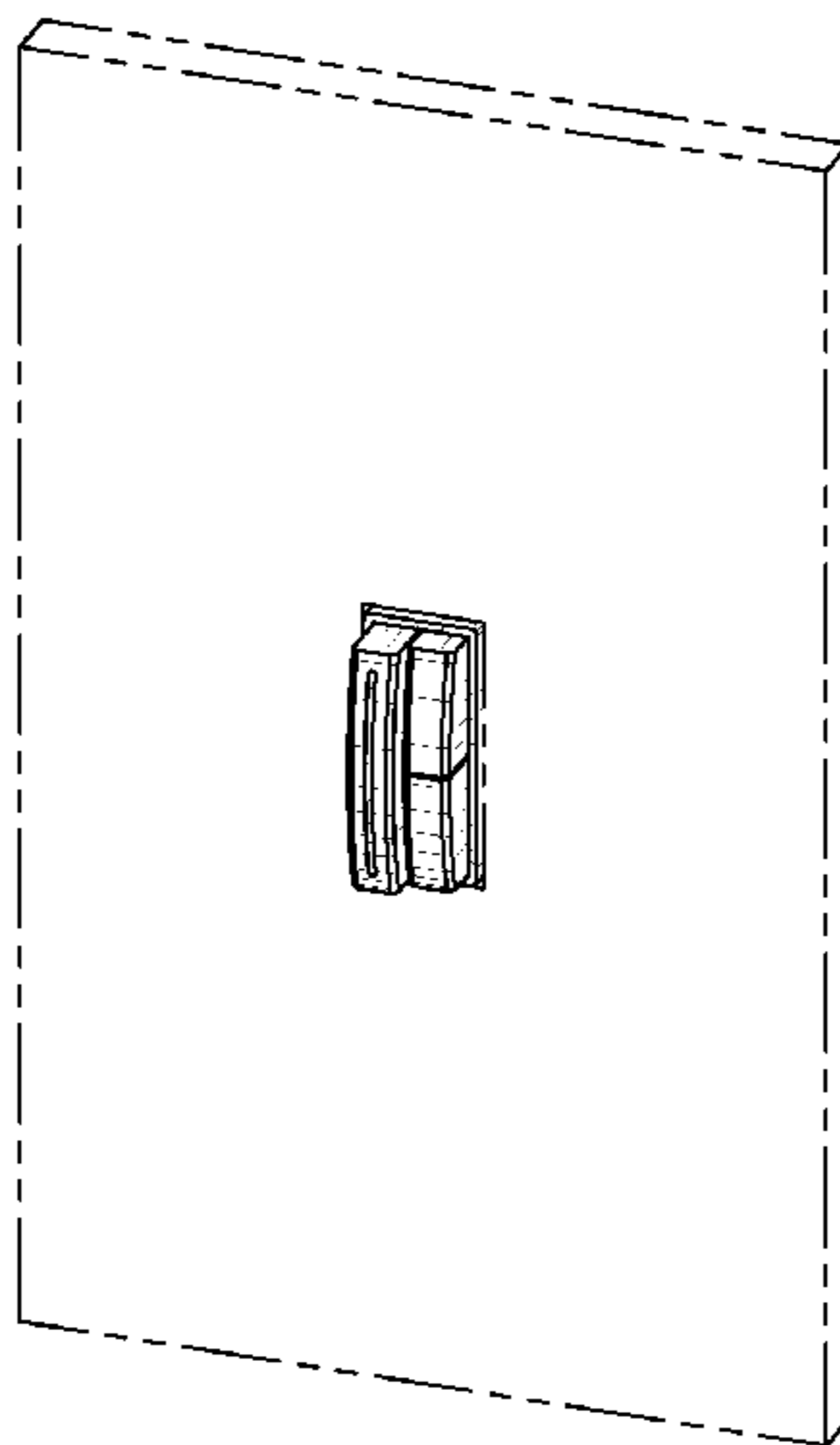
FIG. 10 is a right side view thereof.

FIG. 11 is a top view thereof; and,

FIG. 12 is a bottom view thereof.

The rear views form no part of the design and are omitted. The portions of the drawings appearing in broken line are for environment only and do not form a part of the claimed design.

1 Claim, 8 Drawing Sheets



US D581,372 S

Page 2

U.S. PATENT DOCUMENTS

D479,207 S	9/2003	Mayo et al.	D546,771 S	7/2007	Spira et al.	
6,727,446 B1	4/2004	Mayo et al.	D547,735 S *	7/2007	Altonen et al.	D13/170
6,734,381 B2	5/2004	Mayo et al.	D557,216 S	12/2007	Ochs et al.	
D526,969 S	8/2006	Spira	D559,791 S *	1/2008	Mayo et al.	D13/162
D534,872 S	1/2007	Spira	D566,048 S *	4/2008	Mace et al.	D13/162
D538,759 S	3/2007	Spira et al.	D566,052 S *	4/2008	Ochs et al.	D13/170
D541,222 S	4/2007	Mayo et al.	D568,828 S *	5/2008	Mayo et al.	D13/171
D542,742 S	5/2007	Spira	2006/0273970 A1	12/2006	Mosebrook et al.	
D543,511 S	5/2007	Altonen et al.	2006/0284734 A1	12/2006	Newman, Jr.	
			2007/0007826 A1	1/2007	Mosebrook et al.	

* cited by examiner

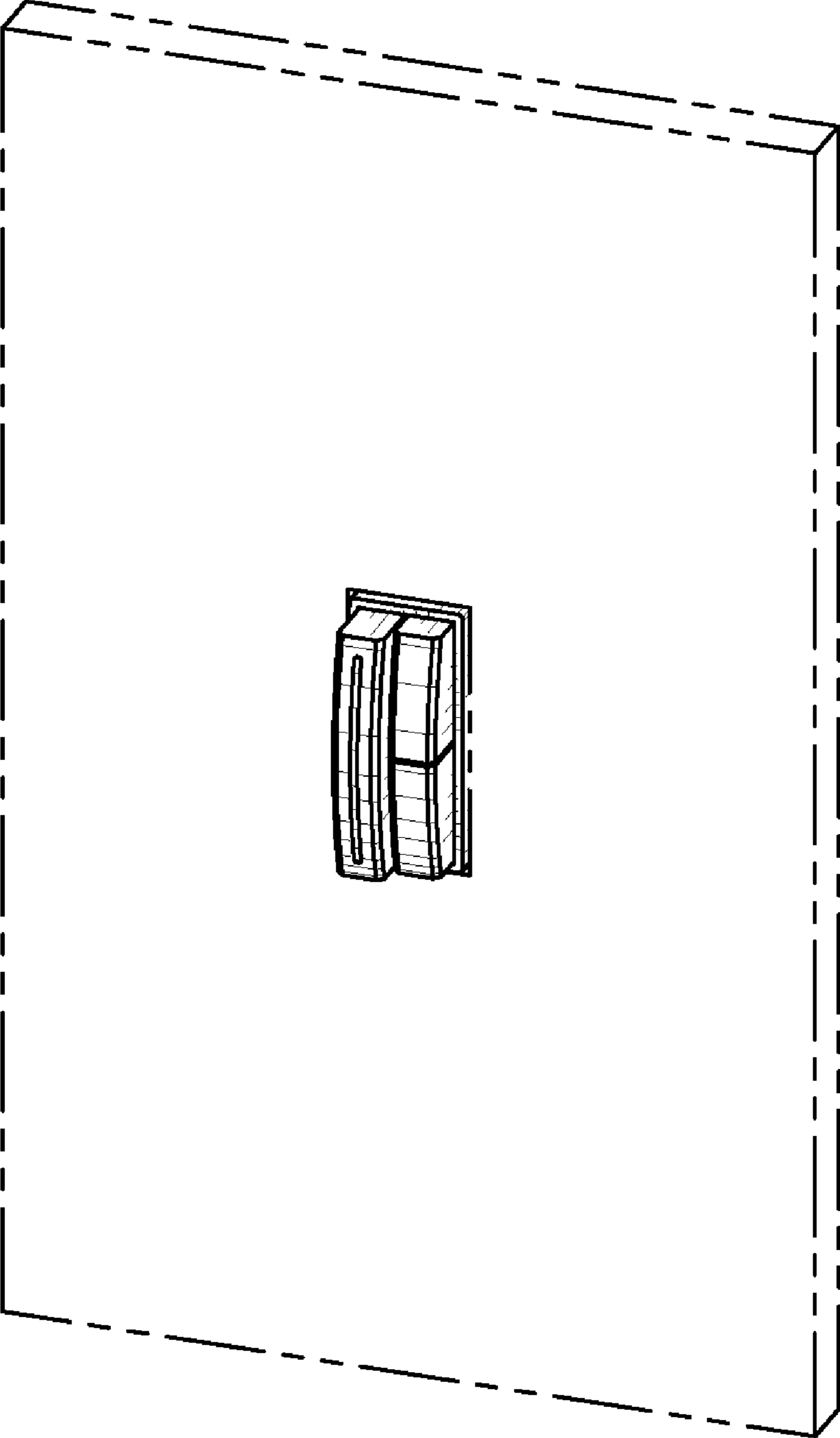


Fig. 1

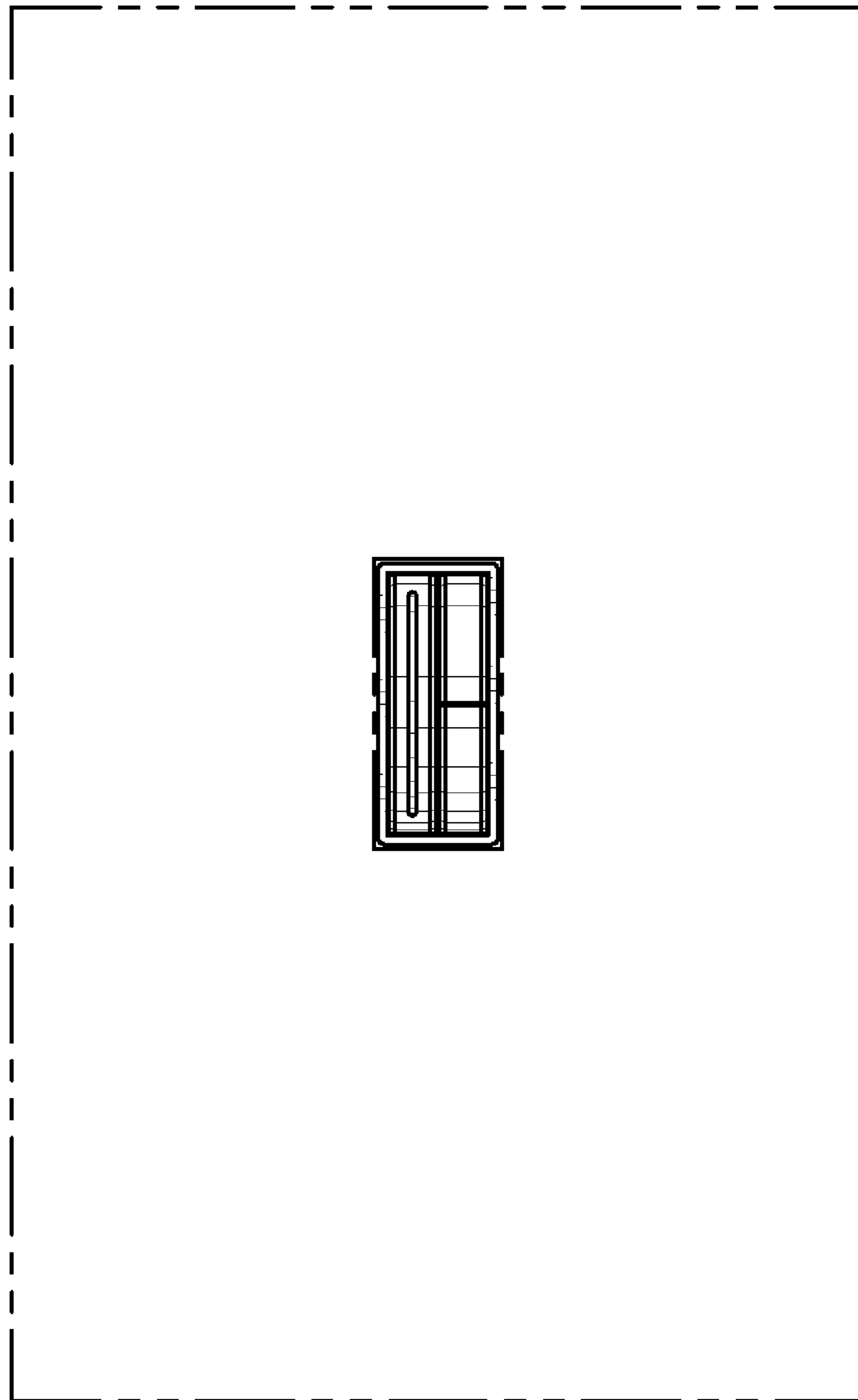


Fig. 2

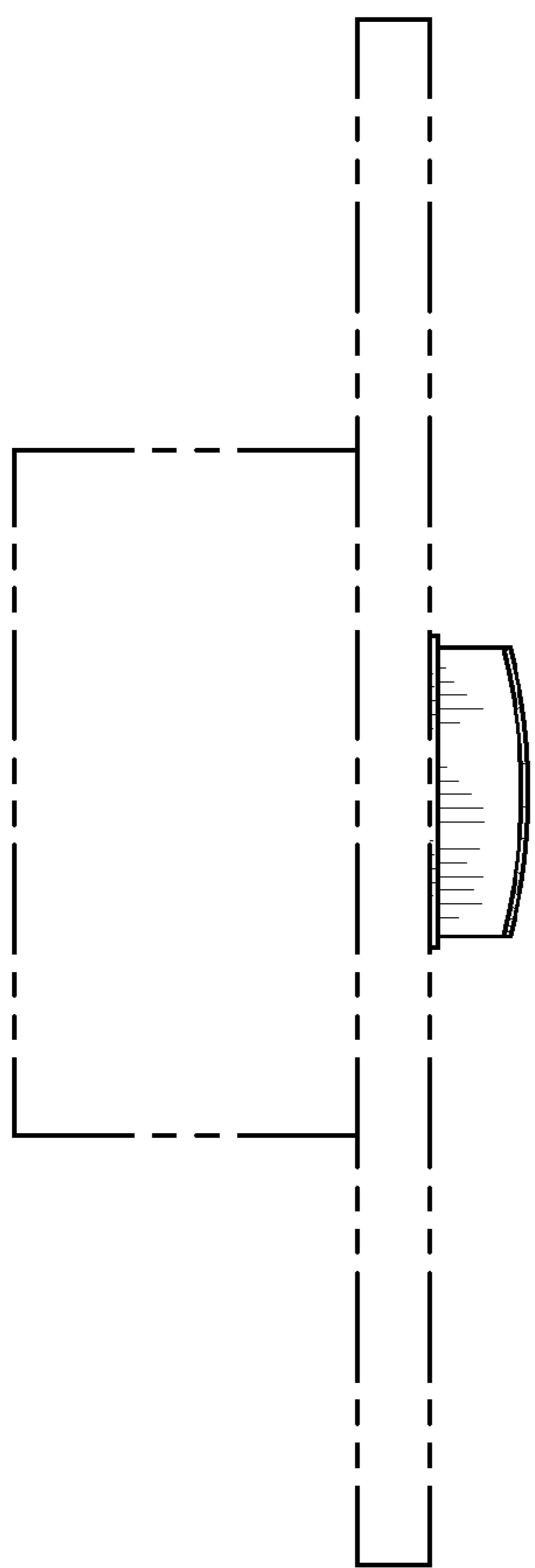


Fig. 3

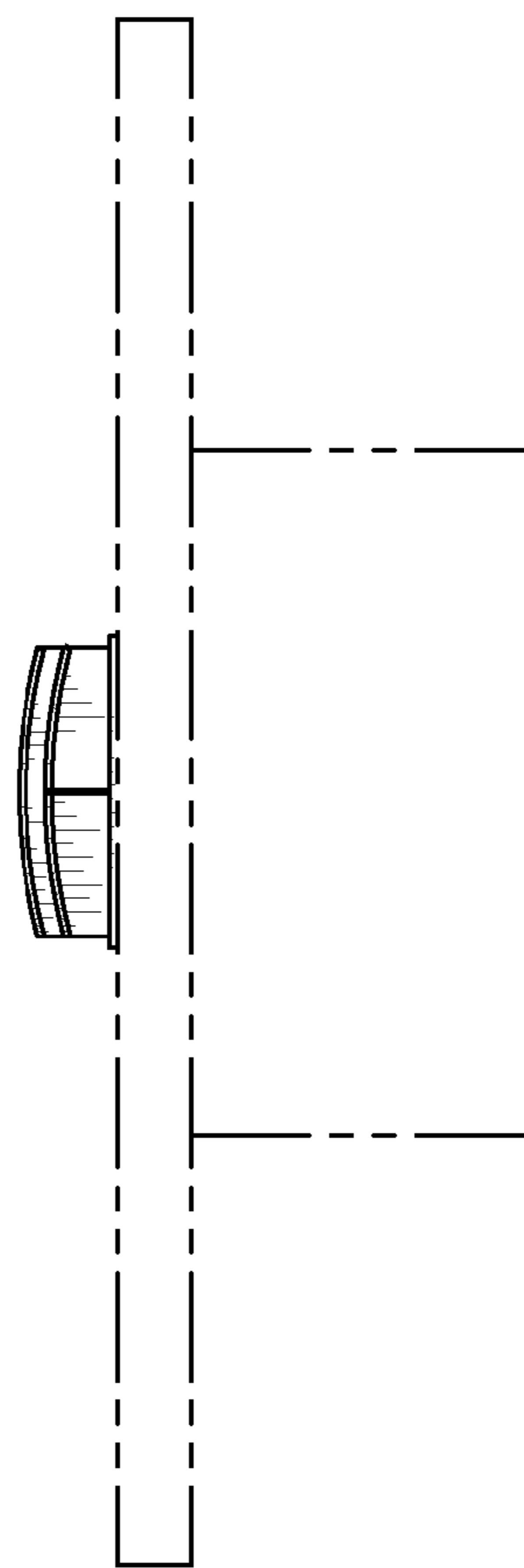


Fig. 4

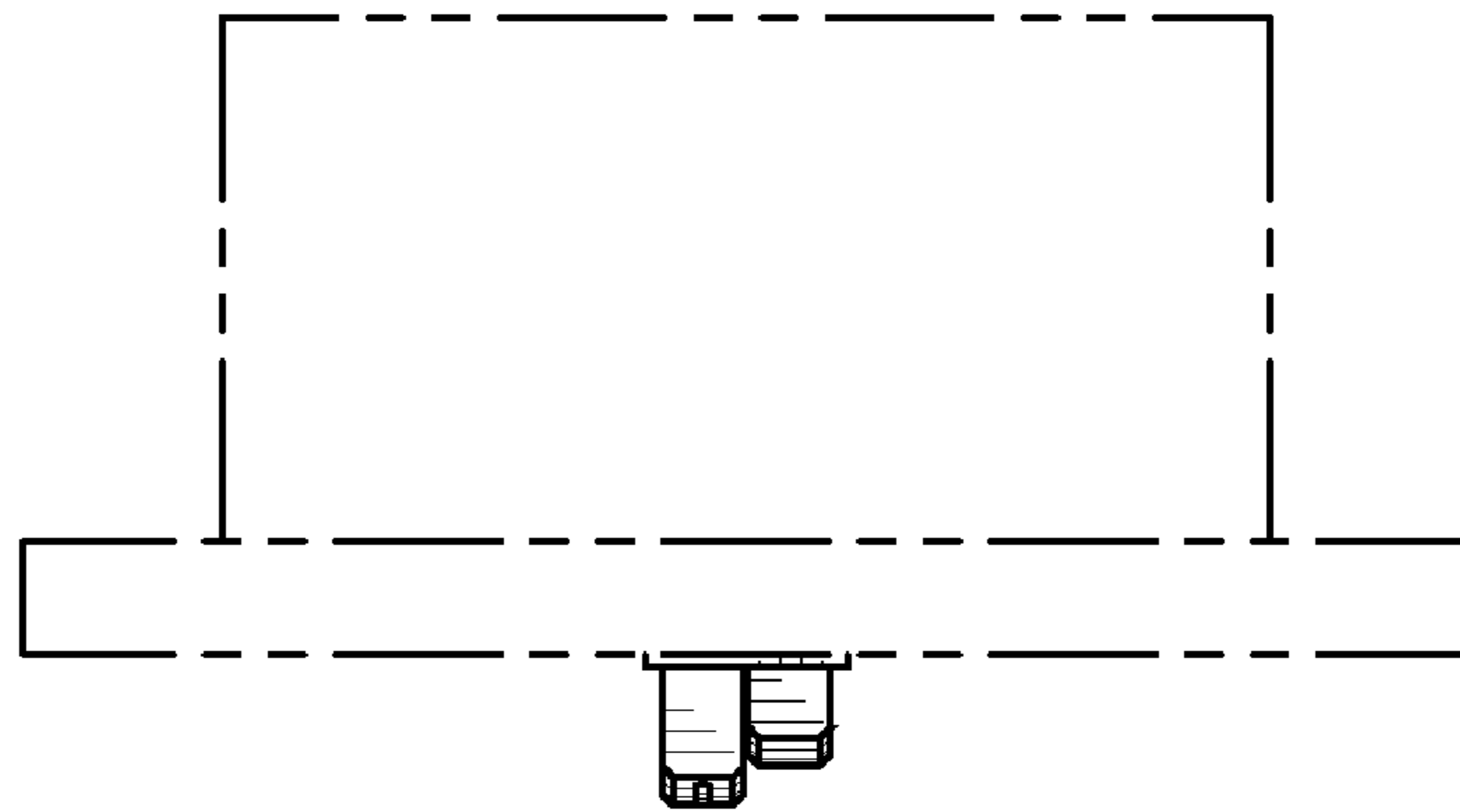


Fig. 5

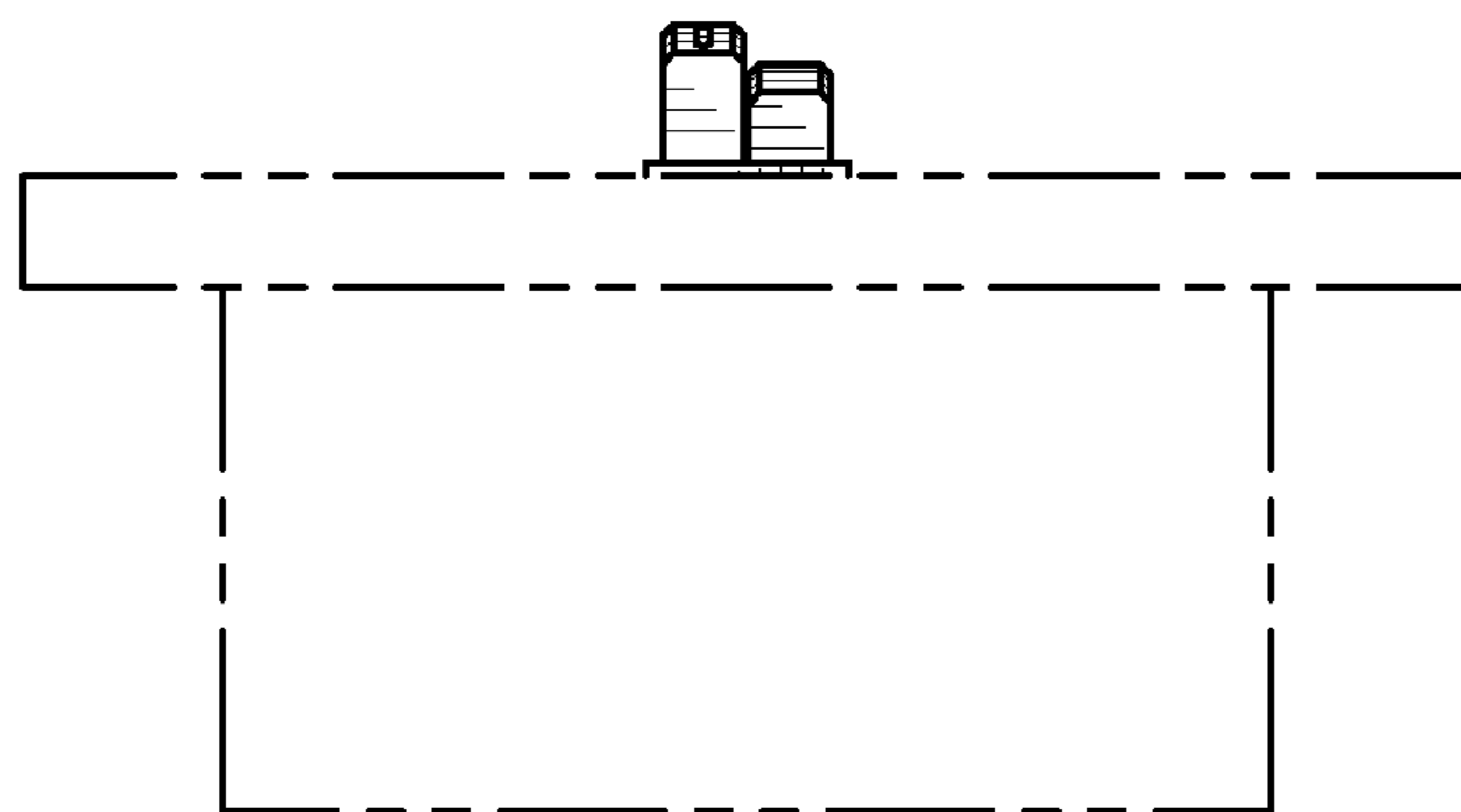


Fig. 6

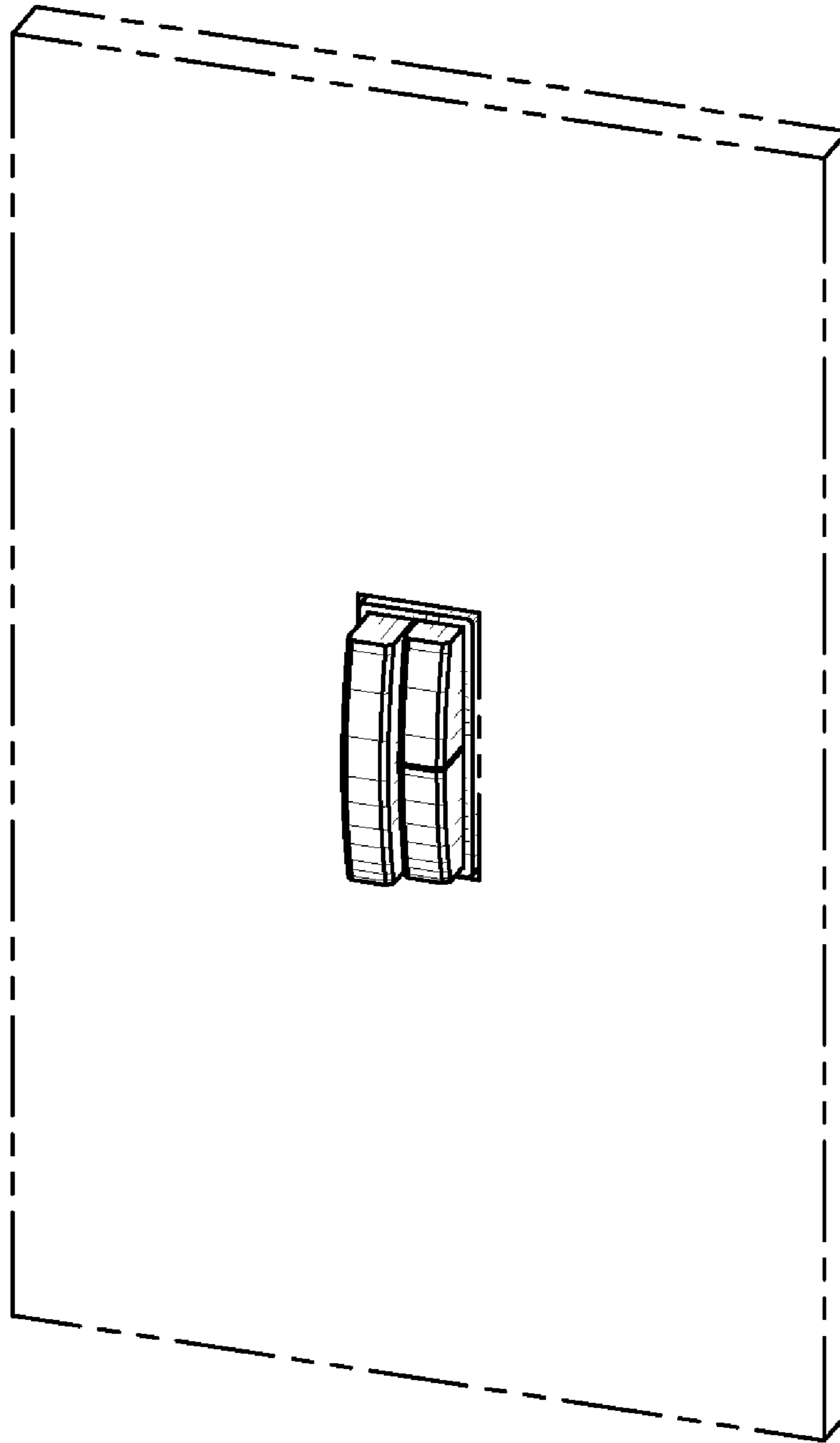


Fig. 7

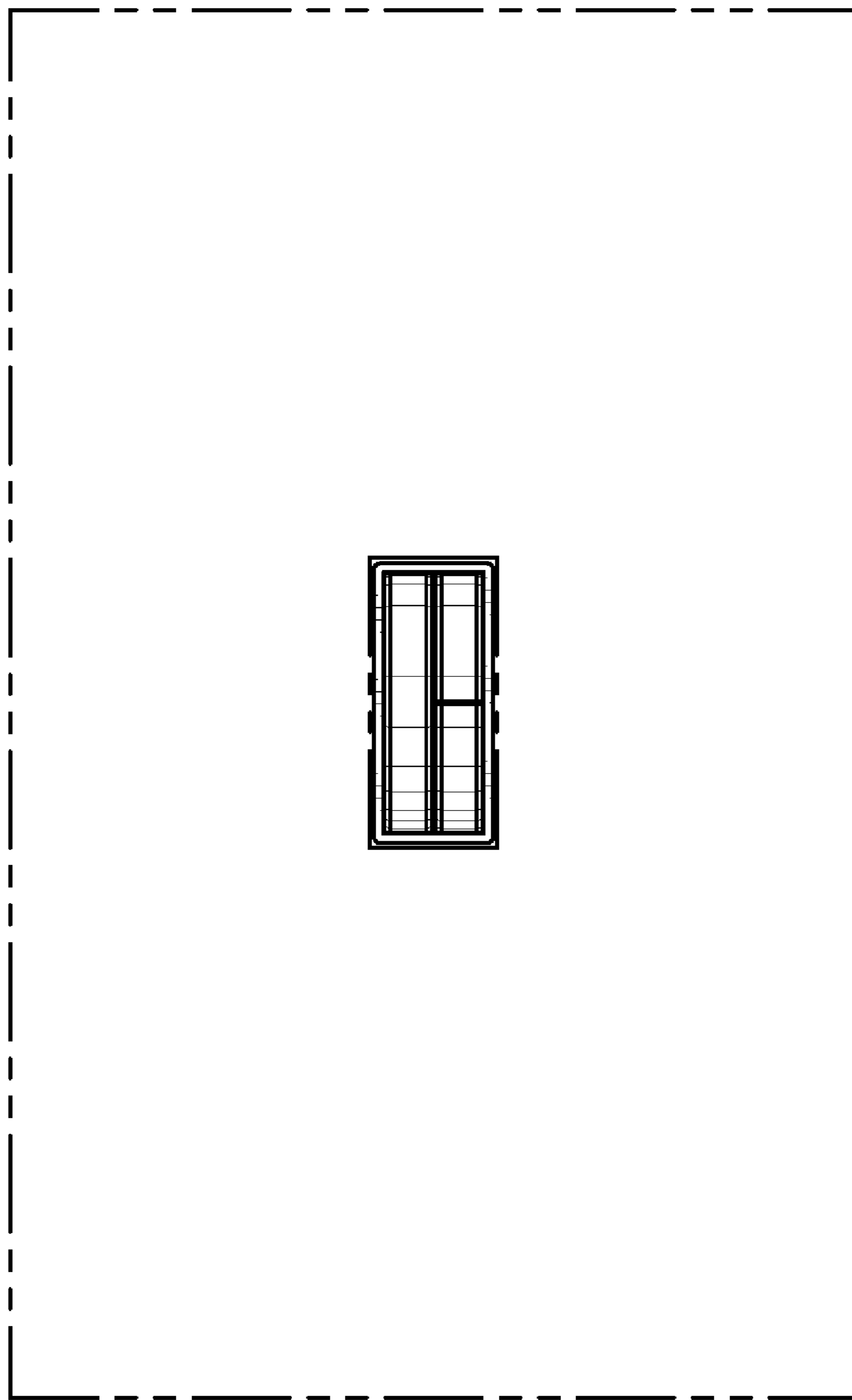


Fig. 8

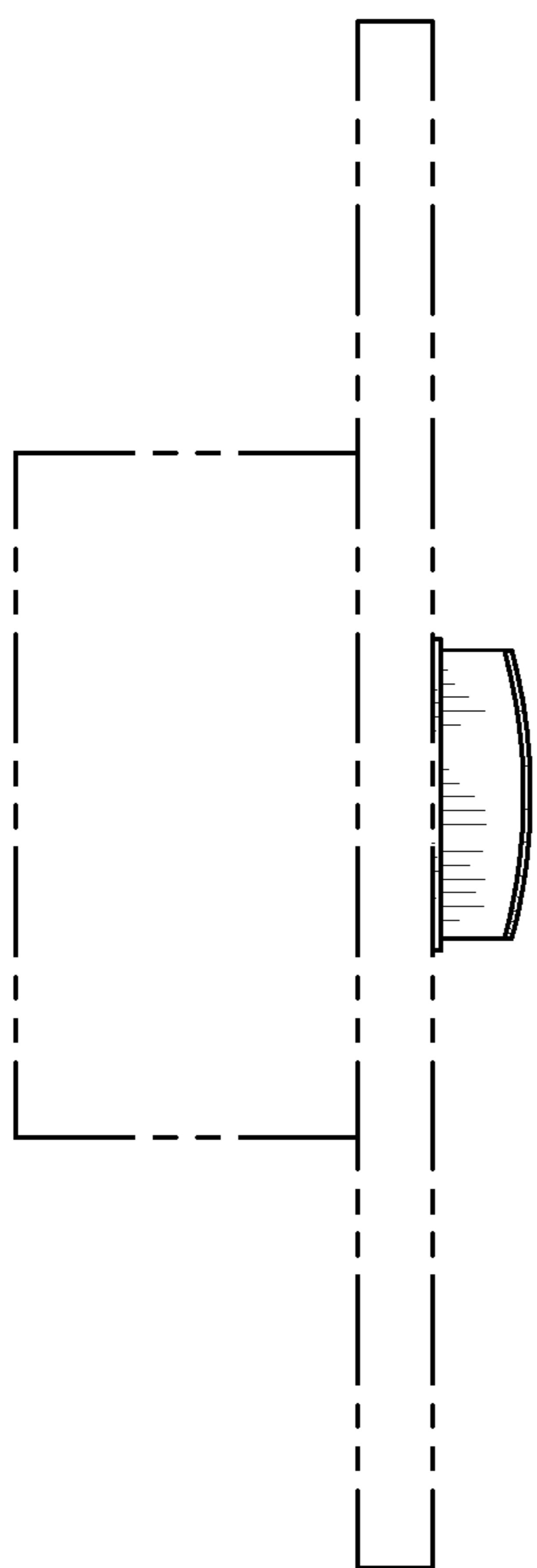


Fig. 9

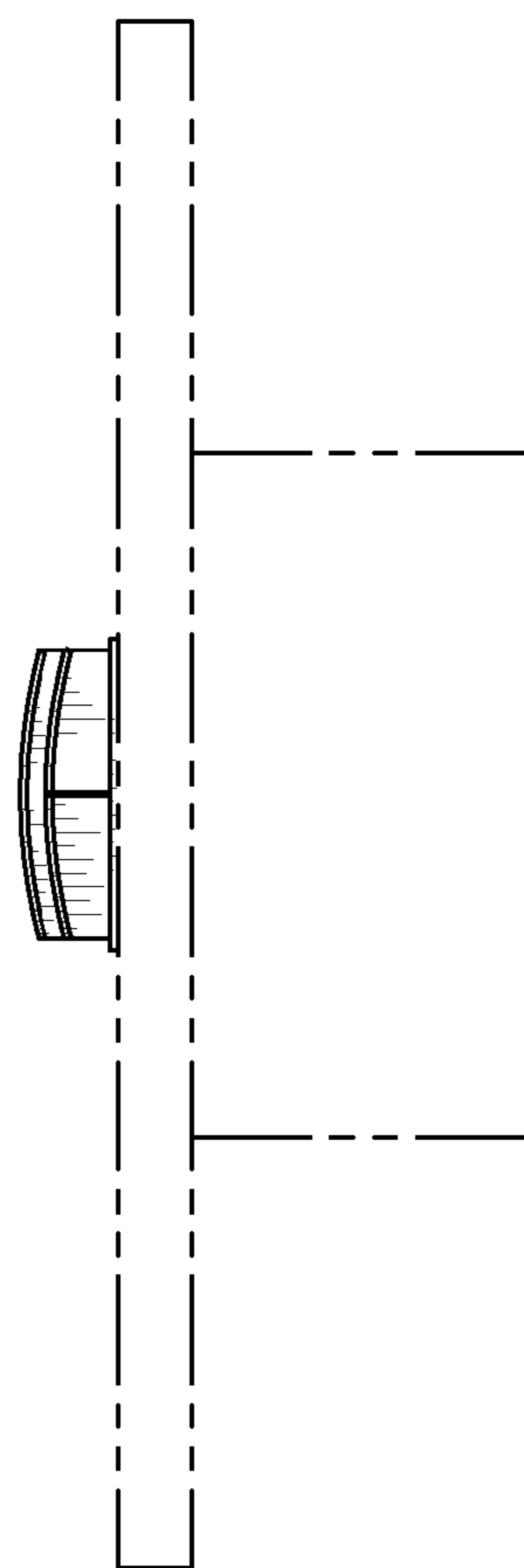


Fig. 10

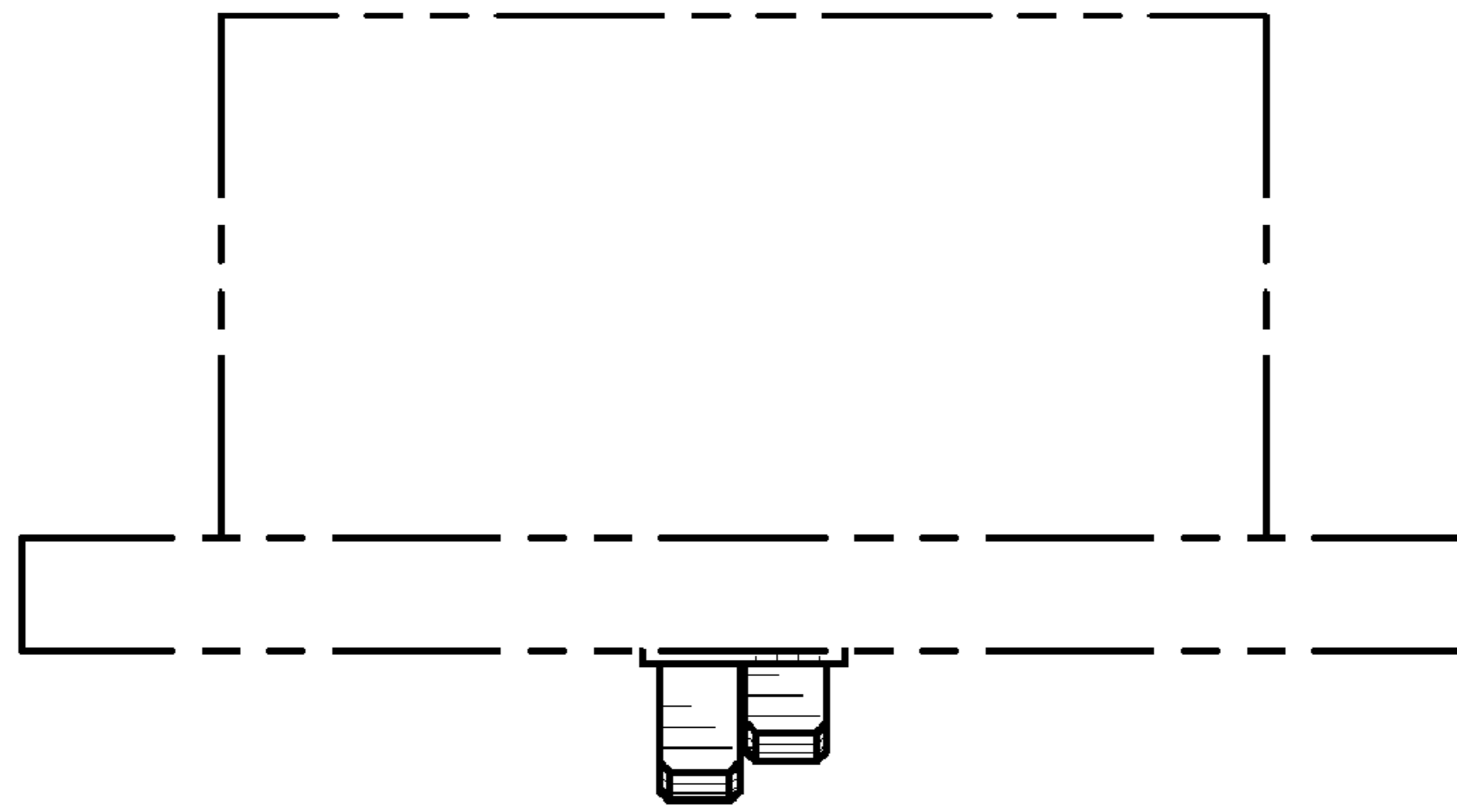


Fig. 11



Fig. 12