



US00D581371S

(12) **United States Design Patent**  
**Richmond**

(10) **Patent No.:** **US D581,371 S**

(45) **Date of Patent:** **\*\* Nov. 25, 2008**

(54) **HEATED APPAREL CONTROLLER**

D566,051 S \* 4/2008 Govindasamy ..... D13/168

\* cited by examiner

(76) Inventor: **Simon Nicholas Richmond**, 47  
Grasmere Way, Princeton, NJ (US)  
08540

*Primary Examiner*—Selina Sikder

(\*\*) Term: **14 Years**

(57) **CLAIM**

(21) Appl. No.: **29/301,653**

The ornamental design for a heated apparel controller, as shown and described.

(22) Filed: **Mar. 11, 2008**

**DESCRIPTION**

(51) **LOC (8) Cl.** ..... **13-03**

FIG. 1 is a perspective view of a heated apparel controller in accordance with the present invention;

(52) **U.S. Cl.** ..... **D13/168**

FIG. 2 is a first side view of the heated apparel controller shown in FIG. 1;

(58) **Field of Classification Search** ..... D13/168,  
D13/133; D10/104, 106; D14/218, 247;  
340/825.22, 825.24, 825.25, 825.31, 825.36,  
340/825.69, 825.72; 341/20, 22, 23, 34,  
341/176; 345/156, 158, 169; 348/734; 455/92,  
455/95, 100, 128, 151.1–151.4, 352–355;  
463/39; 700/17, 19, 20, 65, 83  
See application file for complete search history.

FIG. 3 is a second side view of the heated apparel controller shown in FIG. 1;

FIG. 4 is a top view of the heated apparel controller shown in FIG. 1;

FIG. 5 is a bottom view of the heated apparel controller shown in FIG. 1;

(56) **References Cited**

**U.S. PATENT DOCUMENTS**

- 5,117,479 A \* 5/1992 Erdman et al. .... 385/136
- D330,192 S \* 10/1992 Holland et al. .... D13/153
- D361,058 S \* 8/1995 Domel et al. .... D13/168
- 5,547,399 A \* 8/1996 Naghi et al. .... 439/623
- D405,796 S \* 2/1999 Uehara ..... D14/218
- D450,337 S \* 11/2001 Hamamura ..... D16/237
- D530,680 S \* 10/2006 Fox et al. .... D13/168
- D530,681 S \* 10/2006 Huang ..... D13/166

FIG. 6 is a third side view of the heated apparel controller shown in FIG. 1; and,

FIG. 7 is a fourth side view of the heated apparel controller shown in FIG. 1.

The broken lines are for illustrative purposes only and form no part of the claimed design.

The cable is shown broken away in the drawing views to indicate indeterminate length, it being understood that it has a uniform shape and appearance through its length.

**1 Claim, 3 Drawing Sheets**

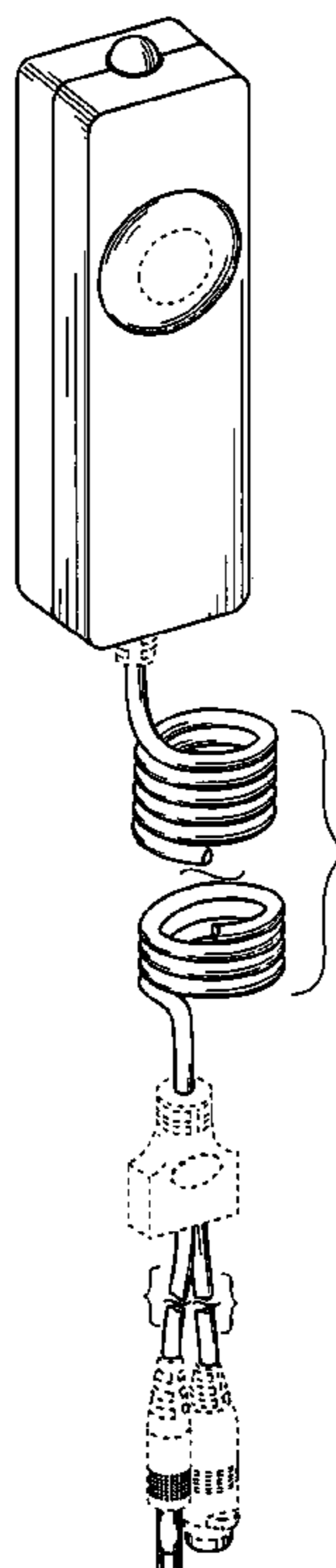


Fig. 1

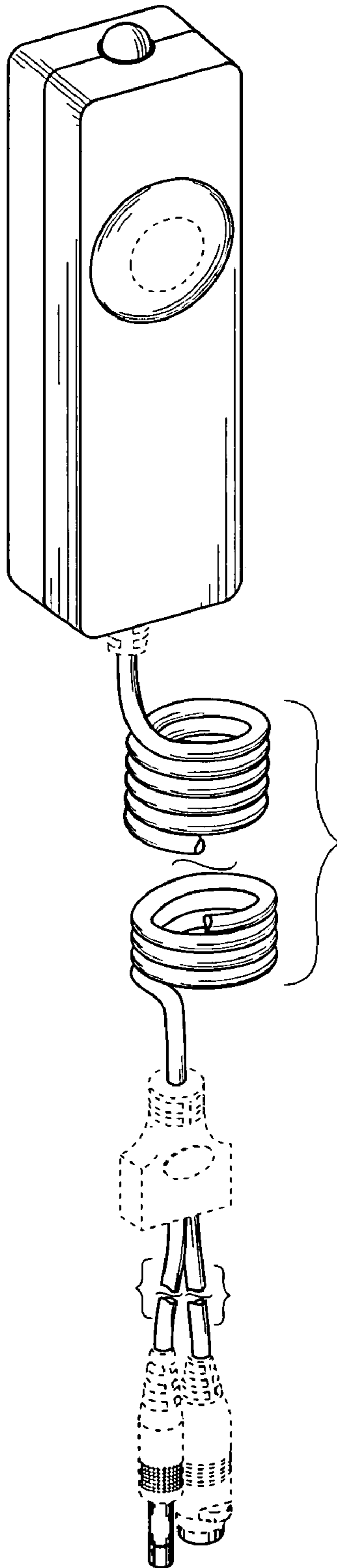


Fig. 2

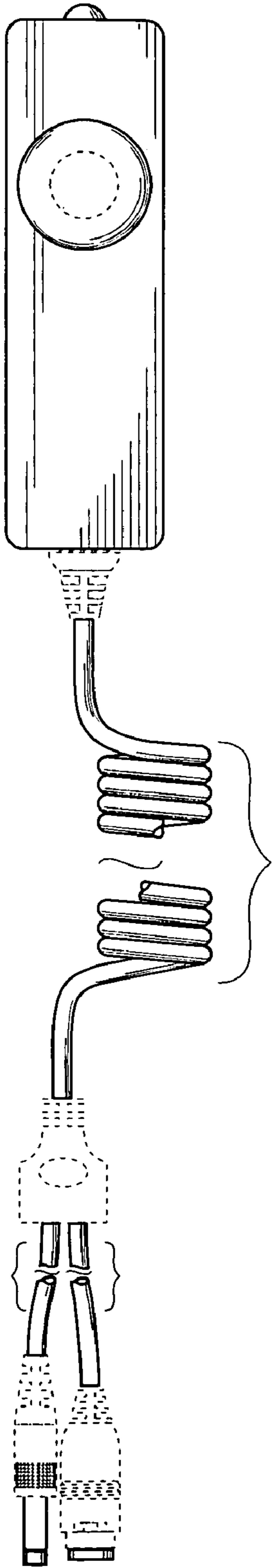


Fig. 3

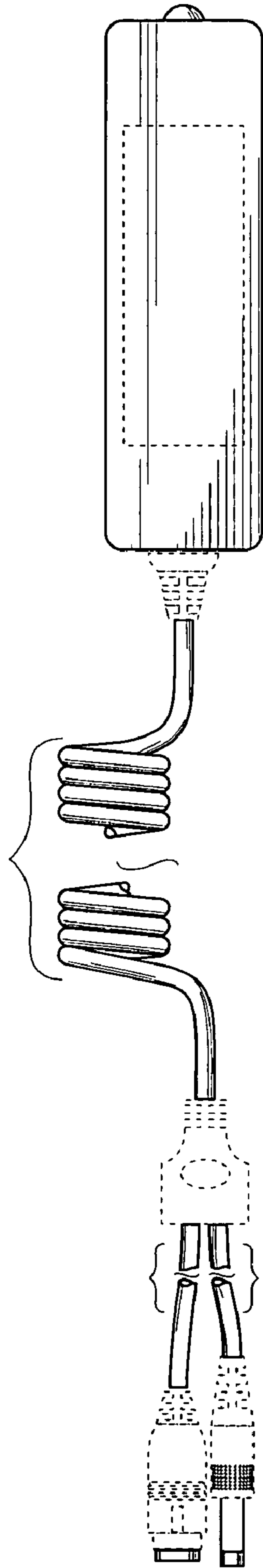


Fig. 4

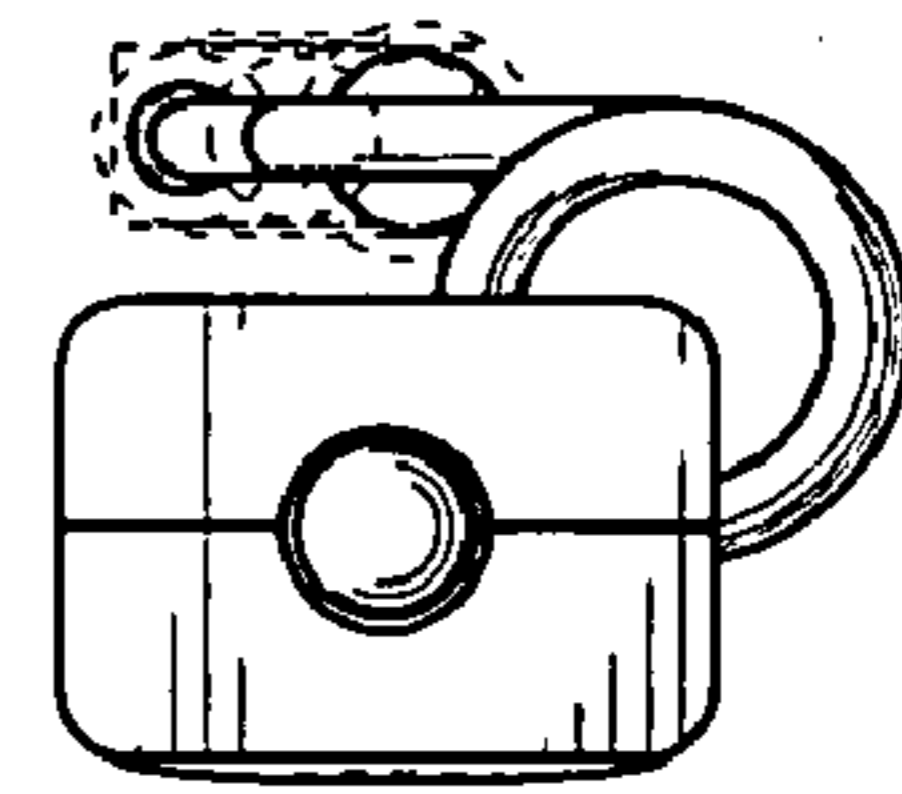


Fig. 5

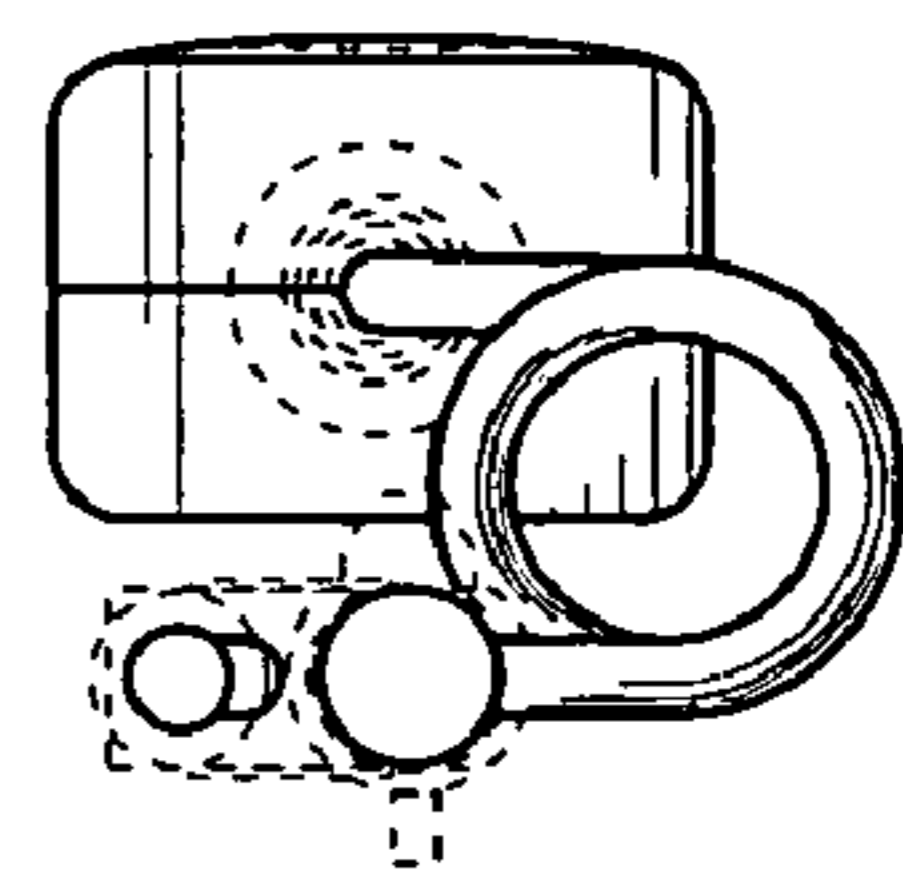


Fig. 6

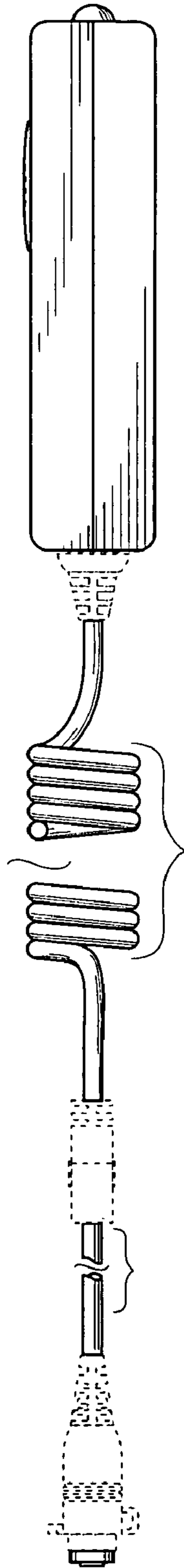


Fig. 7

