



US00D581367S

(12) **United States Design Patent**
Hoshino et al.

(10) **Patent No.:** **US D581,367 S**
(45) **Date of Patent:** **** Nov. 25, 2008**

(54) **CONTACT FOR PLUG**

D560,614 S * 1/2008 McEvoy et al. D13/147
D561,695 S * 2/2008 Hung et al. D13/133

(75) Inventors: **Hirokazu Hoshino**, Kyoto (JP);
Naoyuki Kimura, Kyoto (JP); **Yusuke Shimura**, Kyoto (JP)

* cited by examiner

Primary Examiner—Brian N Vinson

(73) Assignee: **Omron Corporation**, Kyoto (JP)

(74) *Attorney, Agent, or Firm*—Harness, Dickey & Pierce

(**) Term: **14 Years**

(57) **CLAIM**

(21) Appl. No.: **29/298,105**

The ornamental design for a contact for plug, as shown and described.

(22) Filed: **Nov. 29, 2007**

DESCRIPTION

(30) **Foreign Application Priority Data**

May 31, 2007 (JP) D2007-014495

FIG. 1 is a top, front and left side perspective view of a contact for plug showing our new design;

(51) **LOC (8) Cl.** **13-03**

(52) **U.S. Cl.** **D13/154**

(58) **Field of Classification Search** D13/133,
D13/147, 154, 156, 184, 138.1; 439/159-160,
439/375-677, 680

FIG. 2 is a top, front and right side perspective view thereof;

FIG. 3 is a bottom, rear and left side perspective view thereof;

FIG. 4 is a bottom, front and right side perspective view thereof;

FIG. 5 is a front elevational view thereof;

FIG. 6 is a rear elevational view thereof;

FIG. 7 is a left side view thereof;

FIG. 8 is a right side view thereof;

FIG. 9 is a top plan view thereof; and,

FIG. 10 is a bottom plan view thereof.

See application file for complete search history.

(56) **References Cited**

U.S. PATENT DOCUMENTS

5,961,338 A * 10/1999 Wu et al. 439/636
6,053,776 A * 4/2000 Bricaud et al. 439/630
6,149,466 A * 11/2000 Bricaud et al. 439/630
D539,750 S * 4/2007 Takahashi et al. D13/147

1 Claim, 4 Drawing Sheets

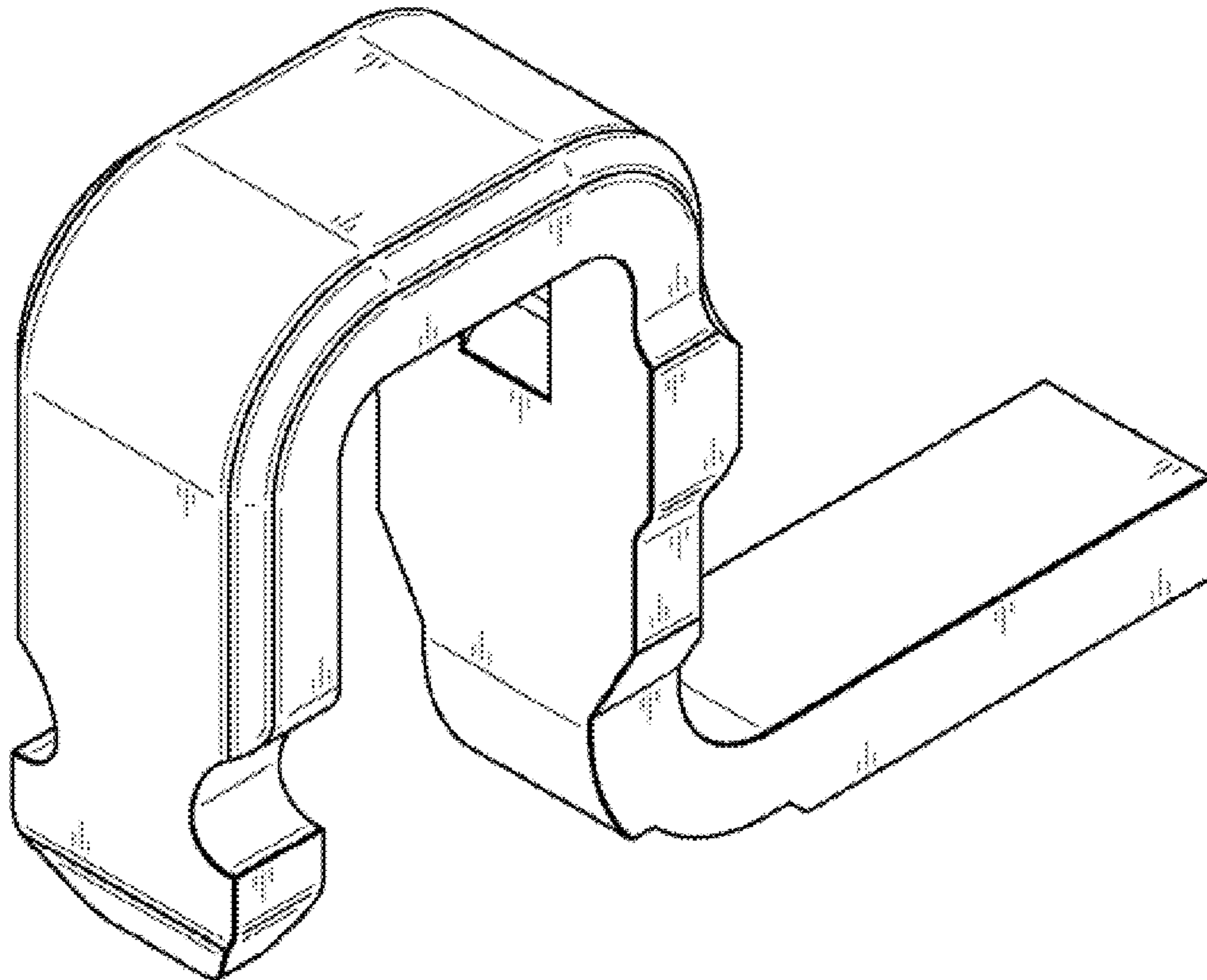


Fig. 1

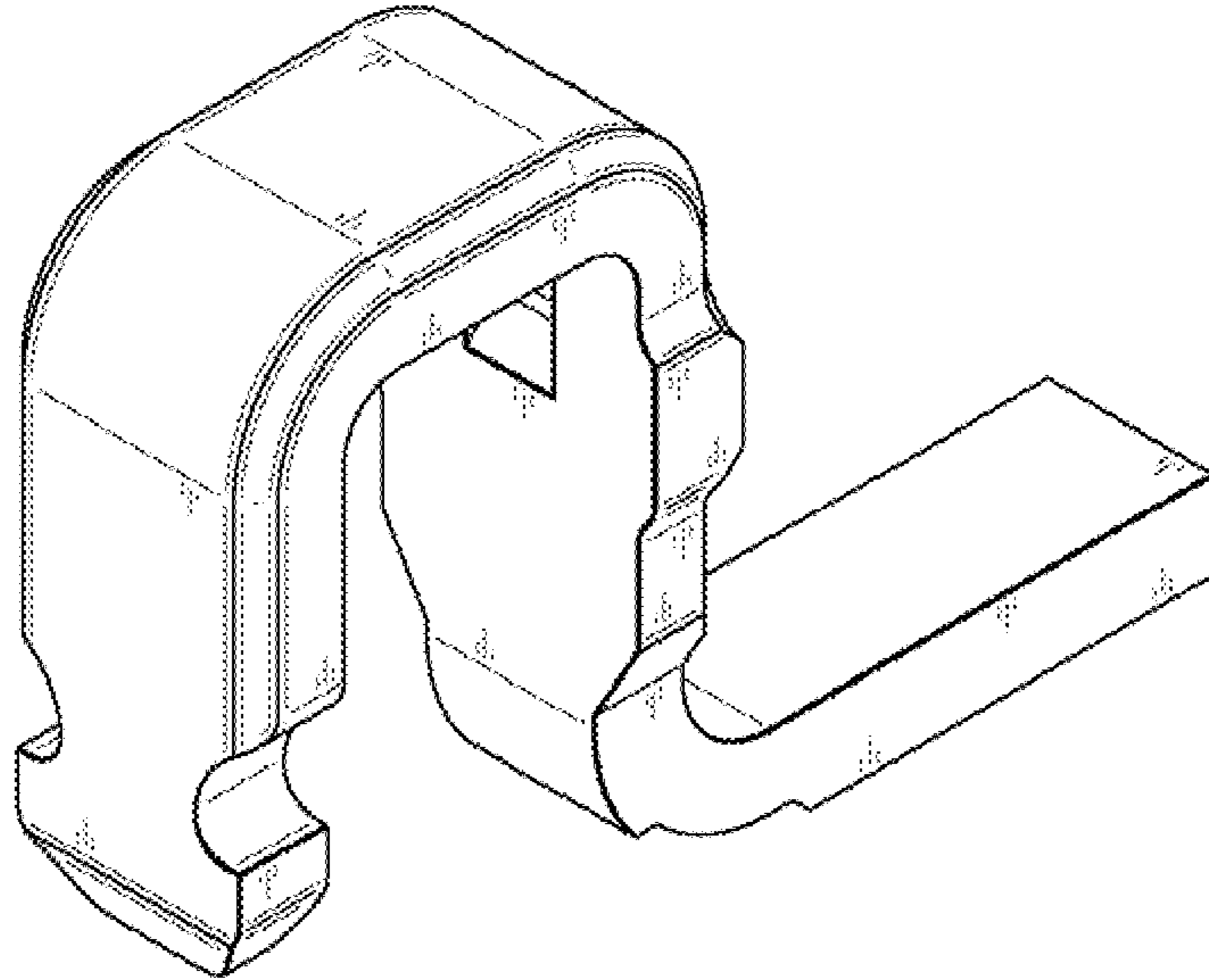


Fig. 2

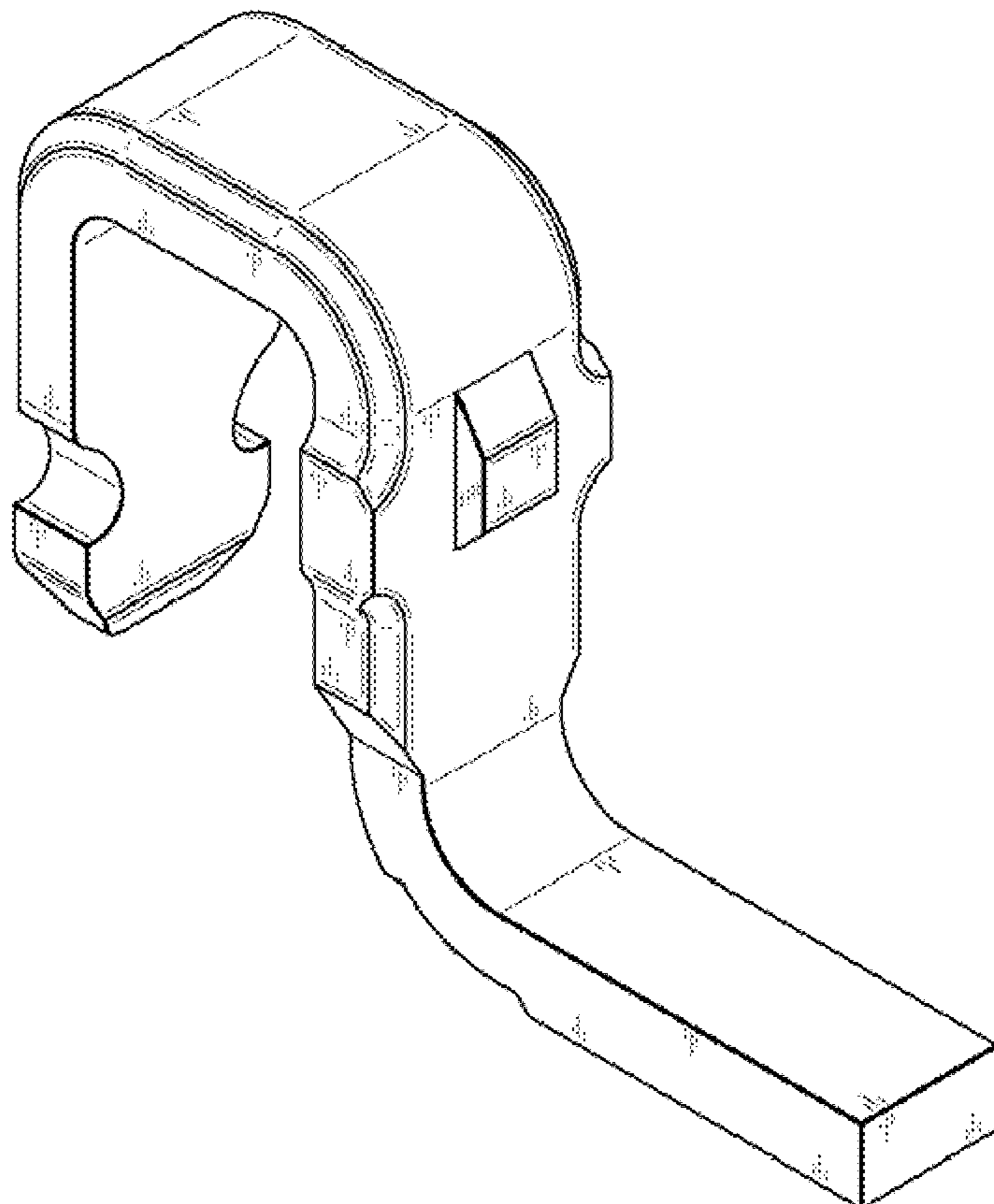


Fig. 3

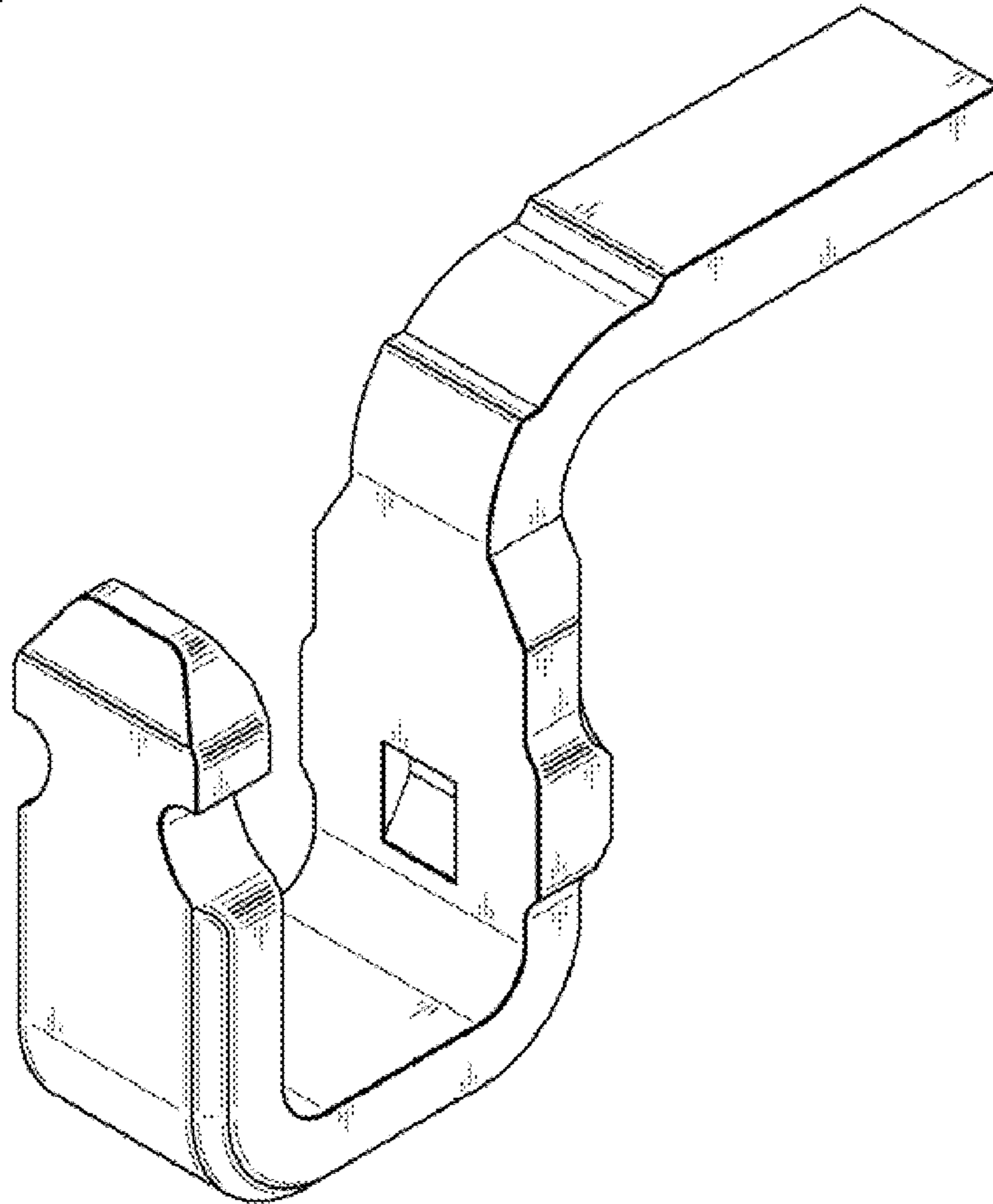


Fig. 4

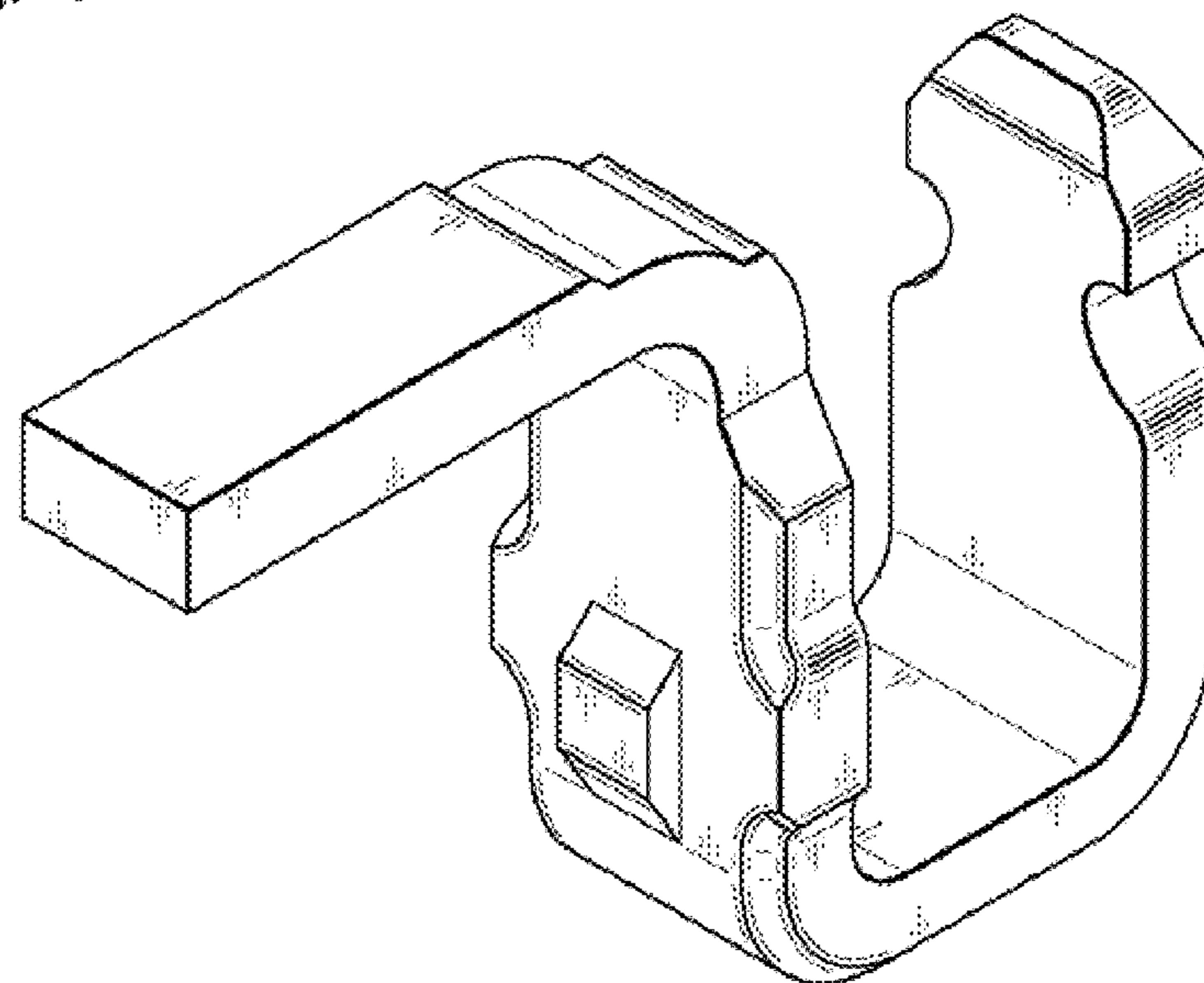


Fig. 5

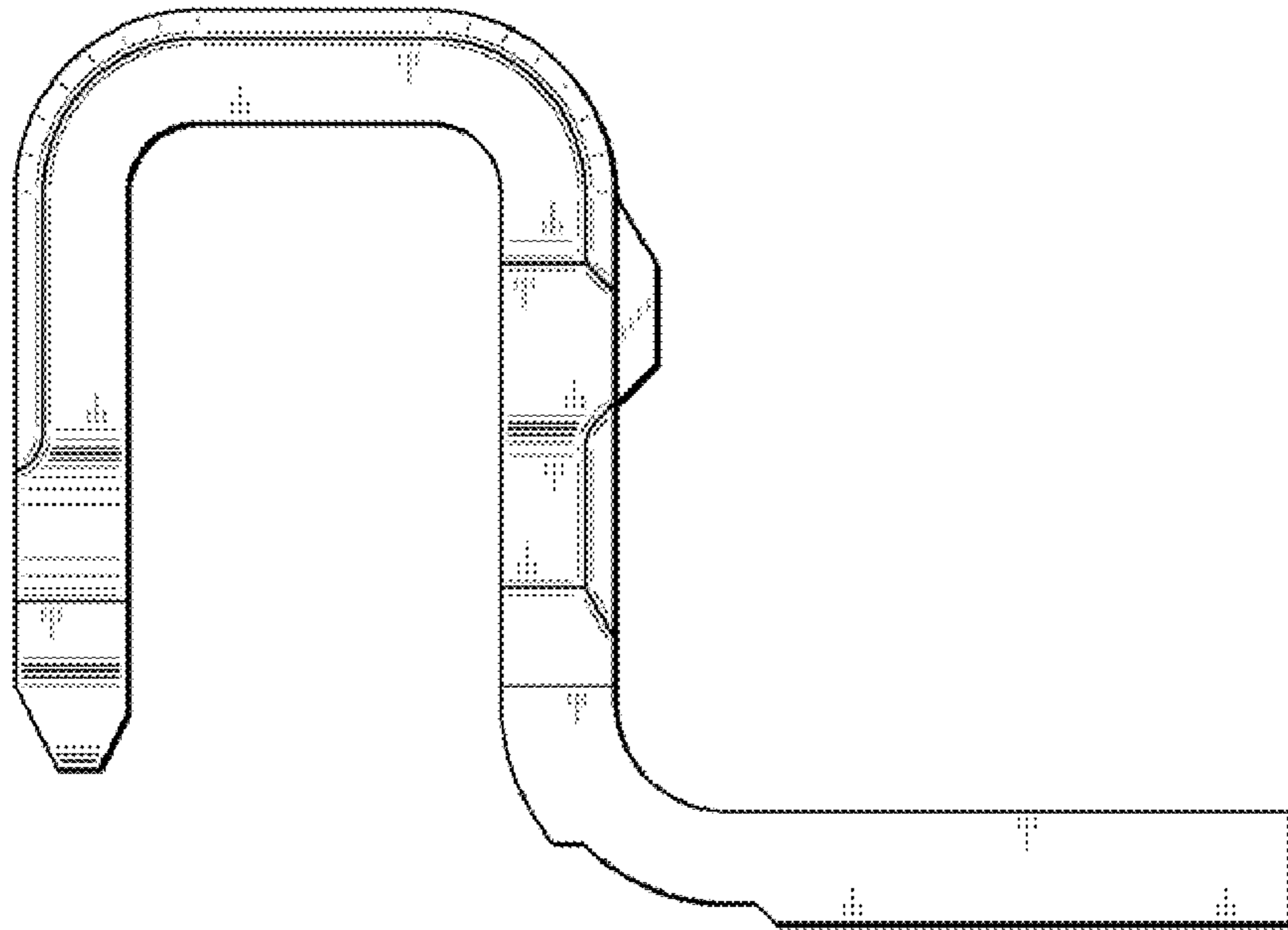


Fig. 6

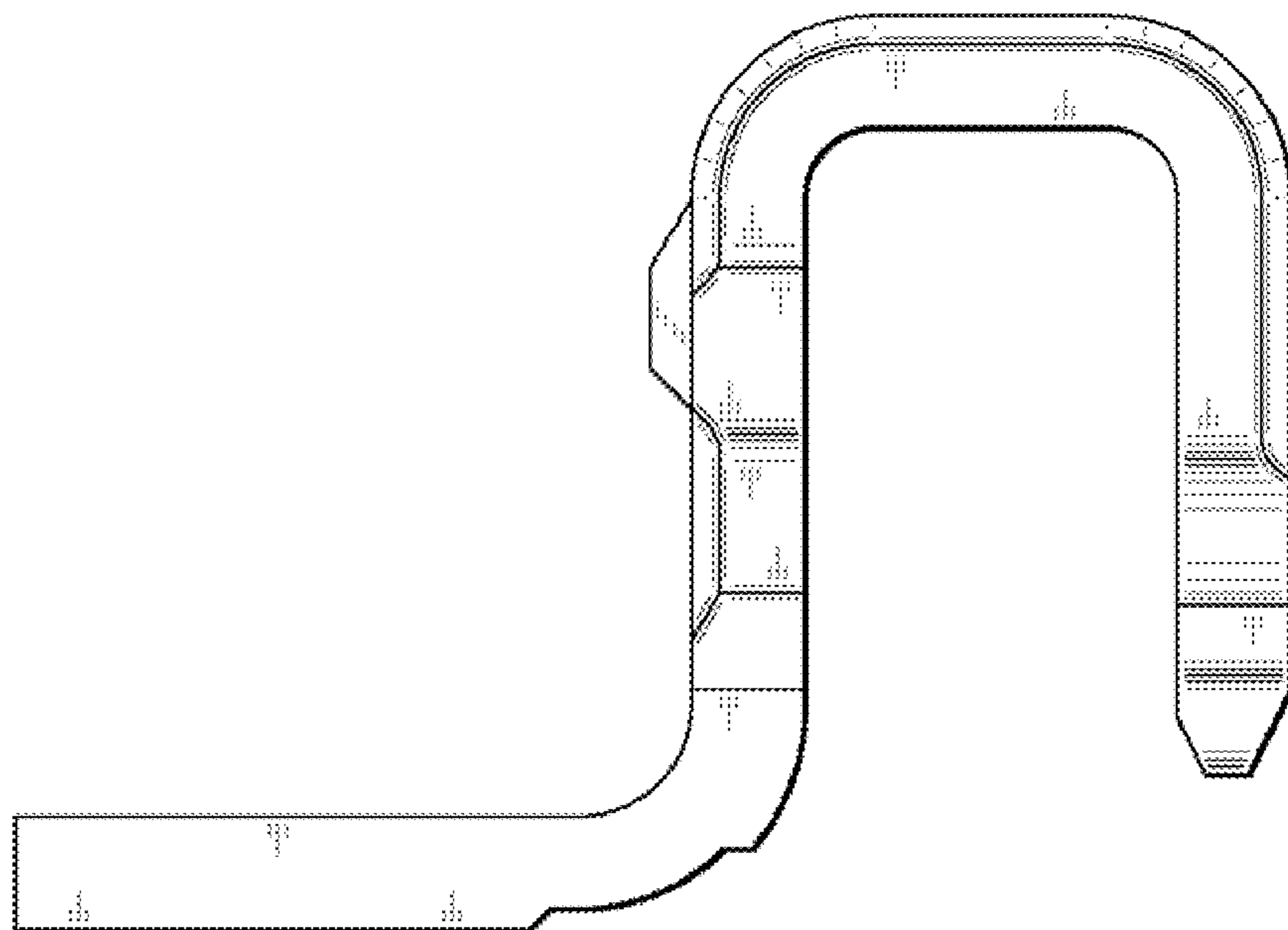


Fig. 7

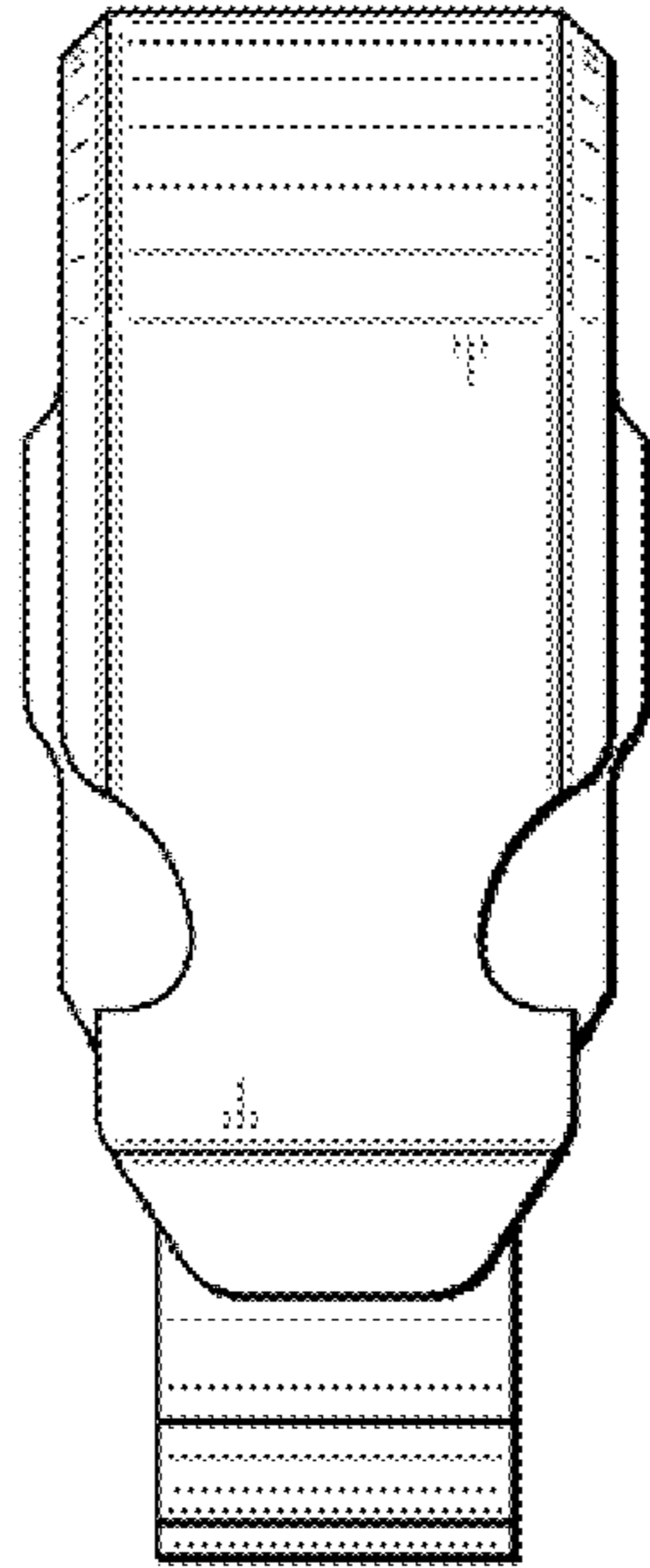


Fig. 8

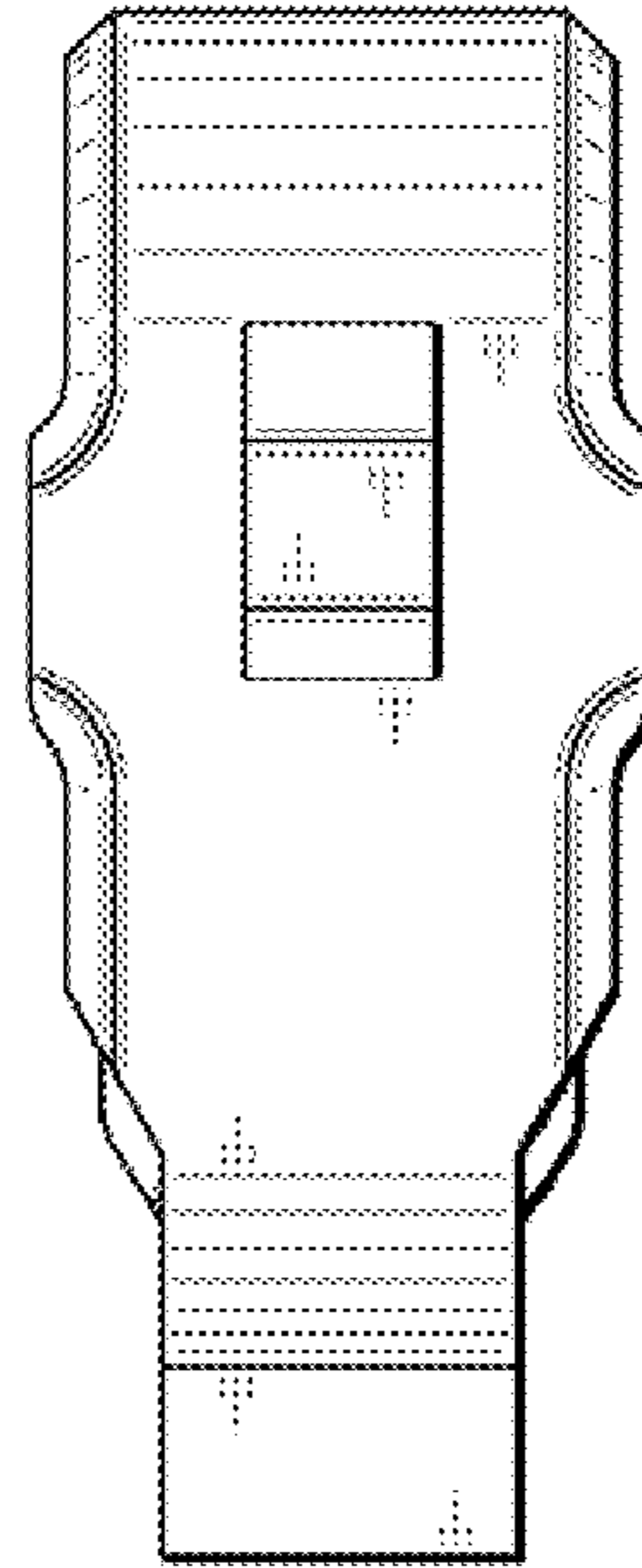


Fig. 9

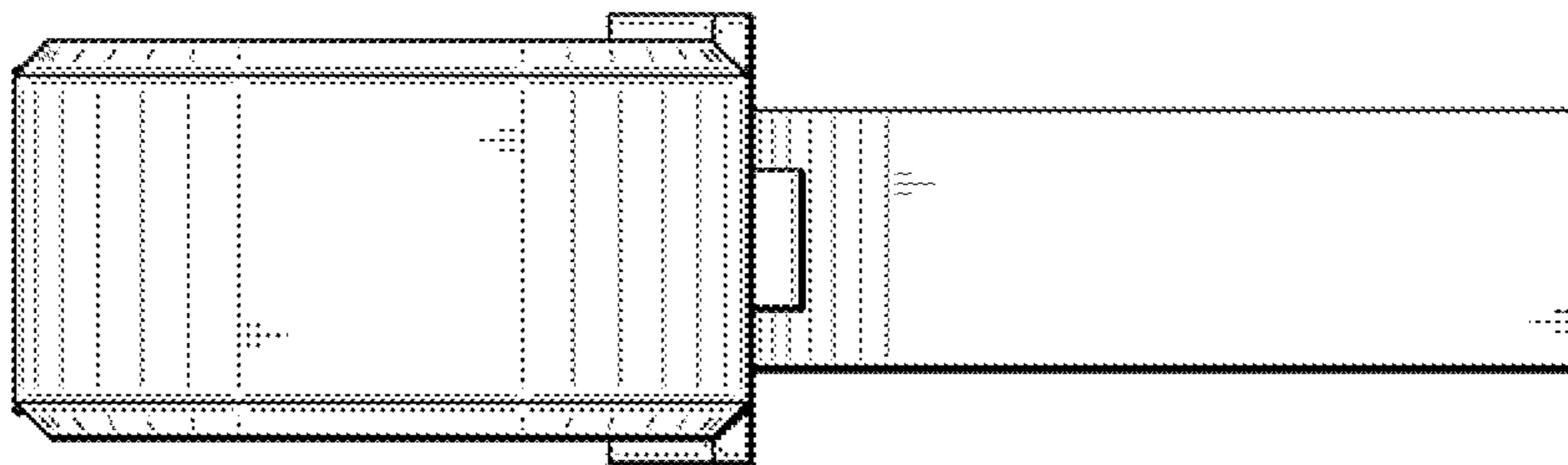


Fig. 10

