



US00D581364S

(12) **United States Design Patent**
Cummings et al.

(10) **Patent No.:** **US D581,364 S**

(45) **Date of Patent:** **** Nov. 25, 2008**

(54) **BUTTON ASSEMBLY**

(75) Inventors: **Stephen John Cummings**, Newport (AU); **David Giorgio**, Five Dock (AU)

(73) Assignee: **Caroma Industries Limited** (AU)

(**) Term: **14 Years**

(21) Appl. No.: **29/302,973**

(22) Filed: **Jan. 29, 2008**

(30) **Foreign Application Priority Data**

Aug. 1, 2007 (AU) 19154/2007

(51) **LOC (8) Cl.** **13-03**

(52) **U.S. Cl.** **D13/151; D13/158**

(58) **Field of Classification Search** D13/151, D13/158, 160-164, 171, 173, 177, 184, 199; 200/314, 294, 295, 51 R, 51.11, 504, 538, 200/540, 541, 545, 180; 362/311, 30, 85, 362/361, 363, 355, 375, 800

See application file for complete search history.

(56) **References Cited**

U.S. PATENT DOCUMENTS

| | | | | | |
|-----------|-----|--------|------------------|-------|---------|
| 3,934,105 | A * | 1/1976 | Lockard | | 200/317 |
| 4,370,533 | A * | 1/1983 | Kamei et al. | | 200/521 |
| 4,445,164 | A * | 4/1984 | Giles et al. | | 362/311 |
| 4,663,601 | A * | 5/1987 | Troutman et al. | | 335/207 |
| 4,987,278 | A * | 1/1991 | Tsutsumi | | 200/294 |
| 5,036,441 | A * | 7/1991 | Herron | | 362/95 |
| 5,043,545 | A * | 8/1991 | Yamashita et al. | | 200/293 |
| 5,191,969 | A * | 3/1993 | Berger | | 200/296 |

| | | | | | |
|--------------|------|---------|---------------|-------|----------|
| D409,151 | S * | 5/1999 | Berger et al. | | D13/158 |
| 7,161,101 | B2 * | 1/2007 | Scavella | | 200/51 R |
| D544,448 | S * | 6/2007 | Hull et al. | | D13/151 |
| D554,067 | S * | 10/2007 | Phung et al. | | D13/151 |
| D559,194 | S * | 1/2008 | Nielsen | | D13/158 |
| 2007/0029176 | A1 * | 2/2007 | Sakurai | | 200/6 A |

* cited by examiner

Primary Examiner—Daniel D Bui

Assistant Examiner—Thomas J Johannes

(74) *Attorney, Agent, or Firm*—Fitch, Even, Tabin & Flannery

(57) **CLAIM**

We claim the ornamental design for a button assembly, as shown and described.

DESCRIPTION

FIG. 1 is a top plan view of a button assembly showing our new design;

FIG. 2 is a front perspective view of our new design;

FIG. 3 is a rear perspective view thereof;

FIG. 4 is a left side view thereof;

FIG. 5 is a front view thereof;

FIG. 6 is a right side view thereof;

FIG. 7 is a rear view thereof; and,

FIG. 8 is a bottom view thereof.

The broken line portion of the figure drawings is included to show unclaimed subject matter only and forms no part of the claimed design.

1 Claim, 4 Drawing Sheets

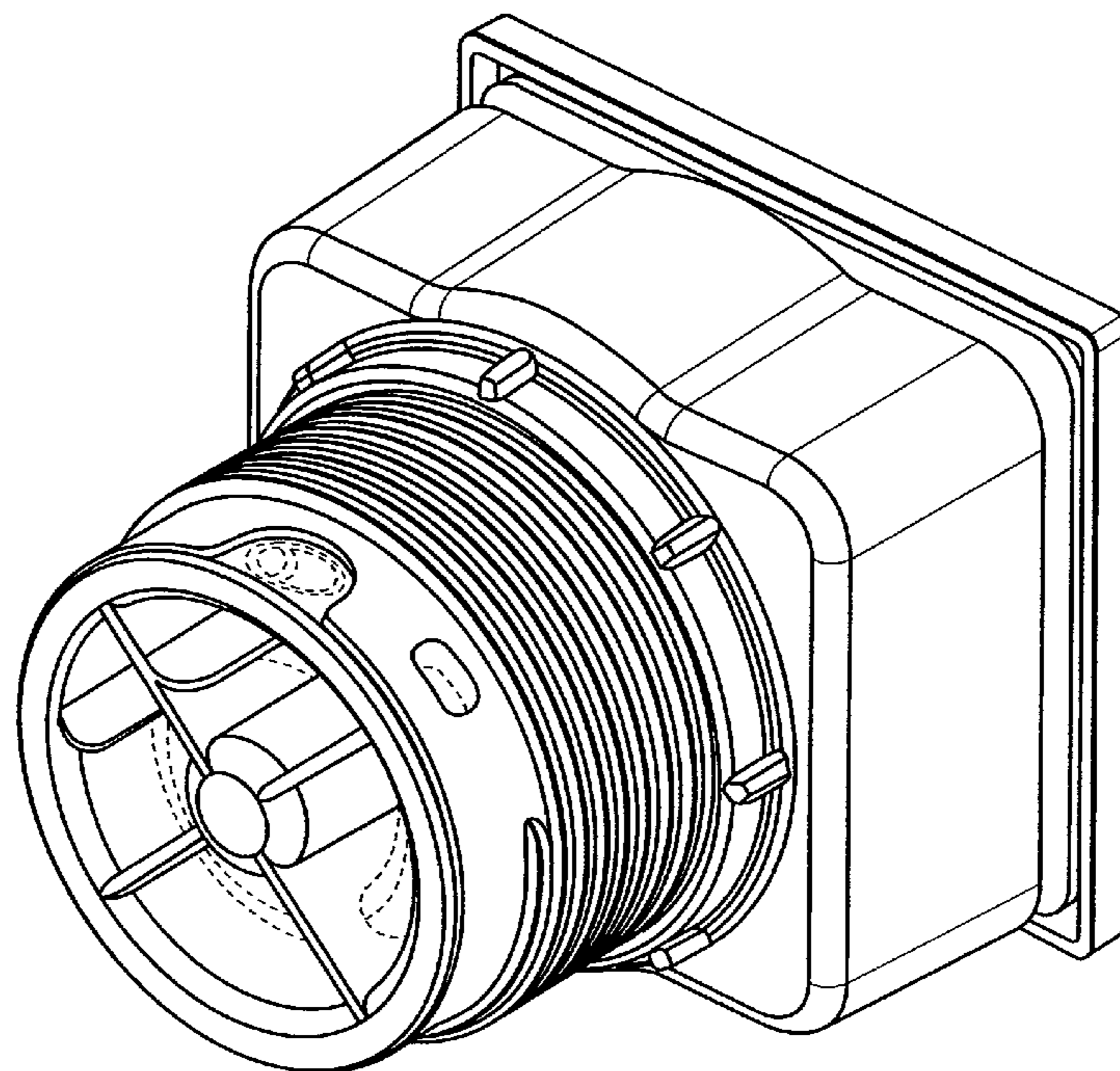


Fig. 1

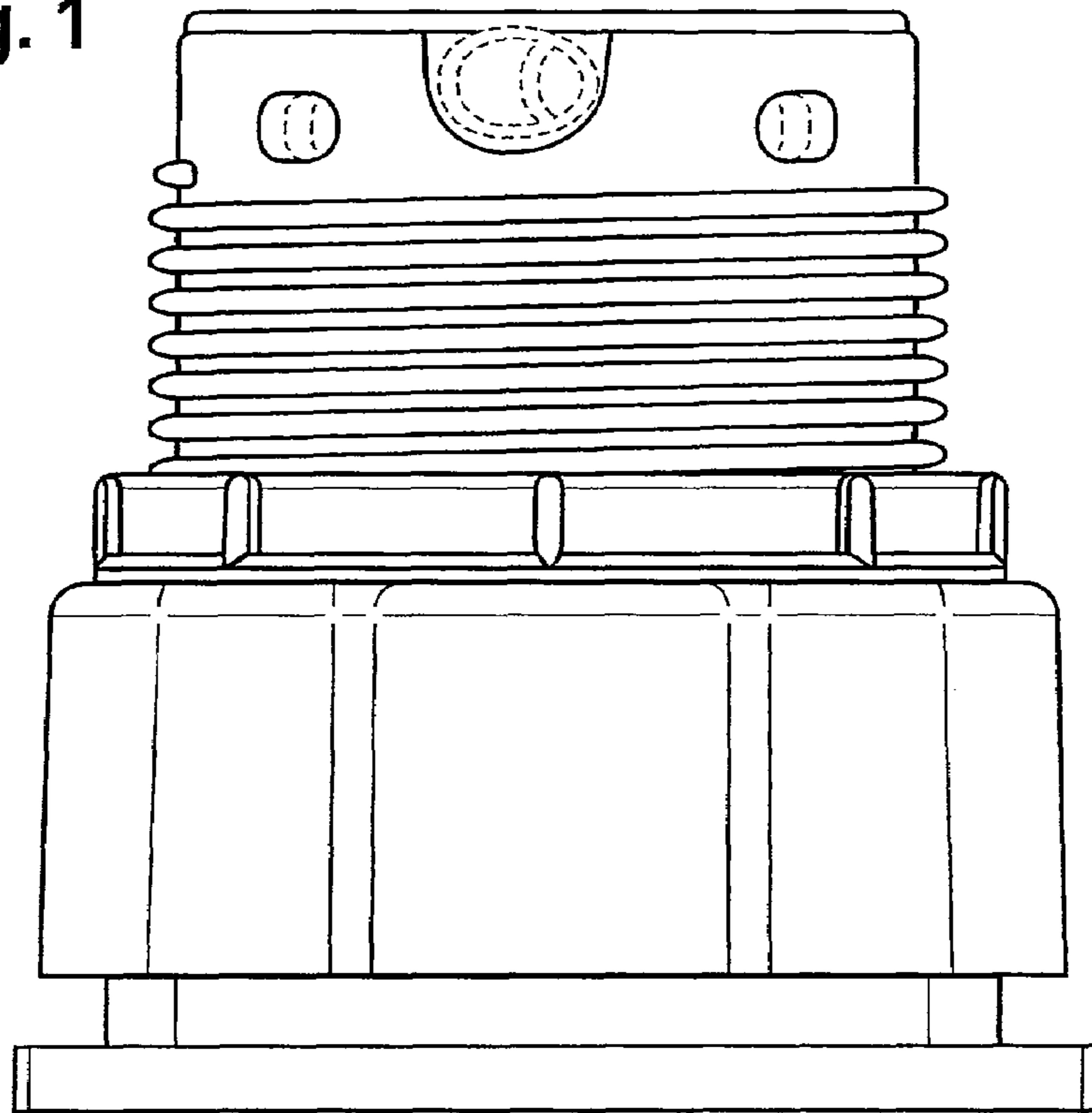


Fig. 2

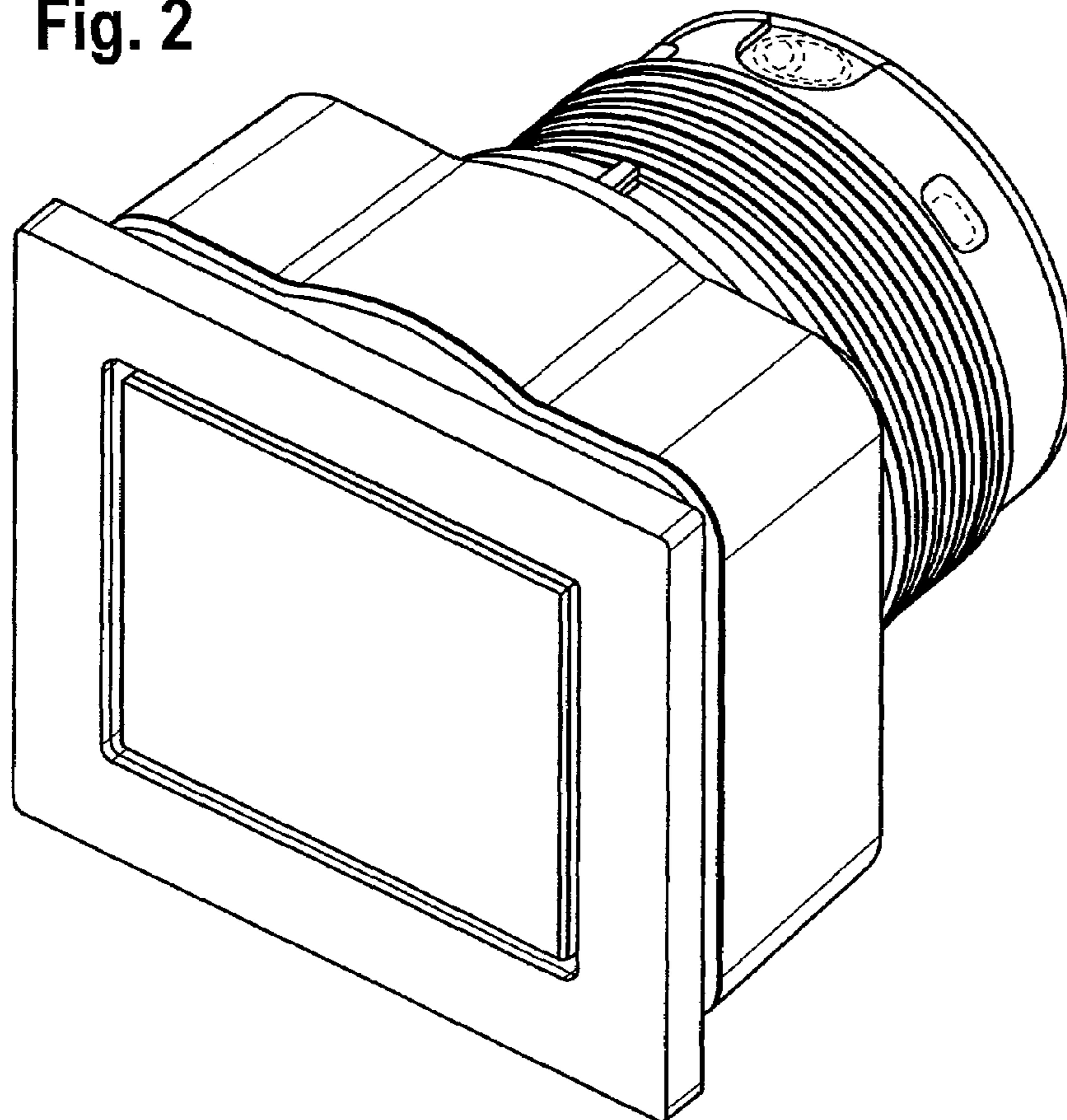


Fig. 3

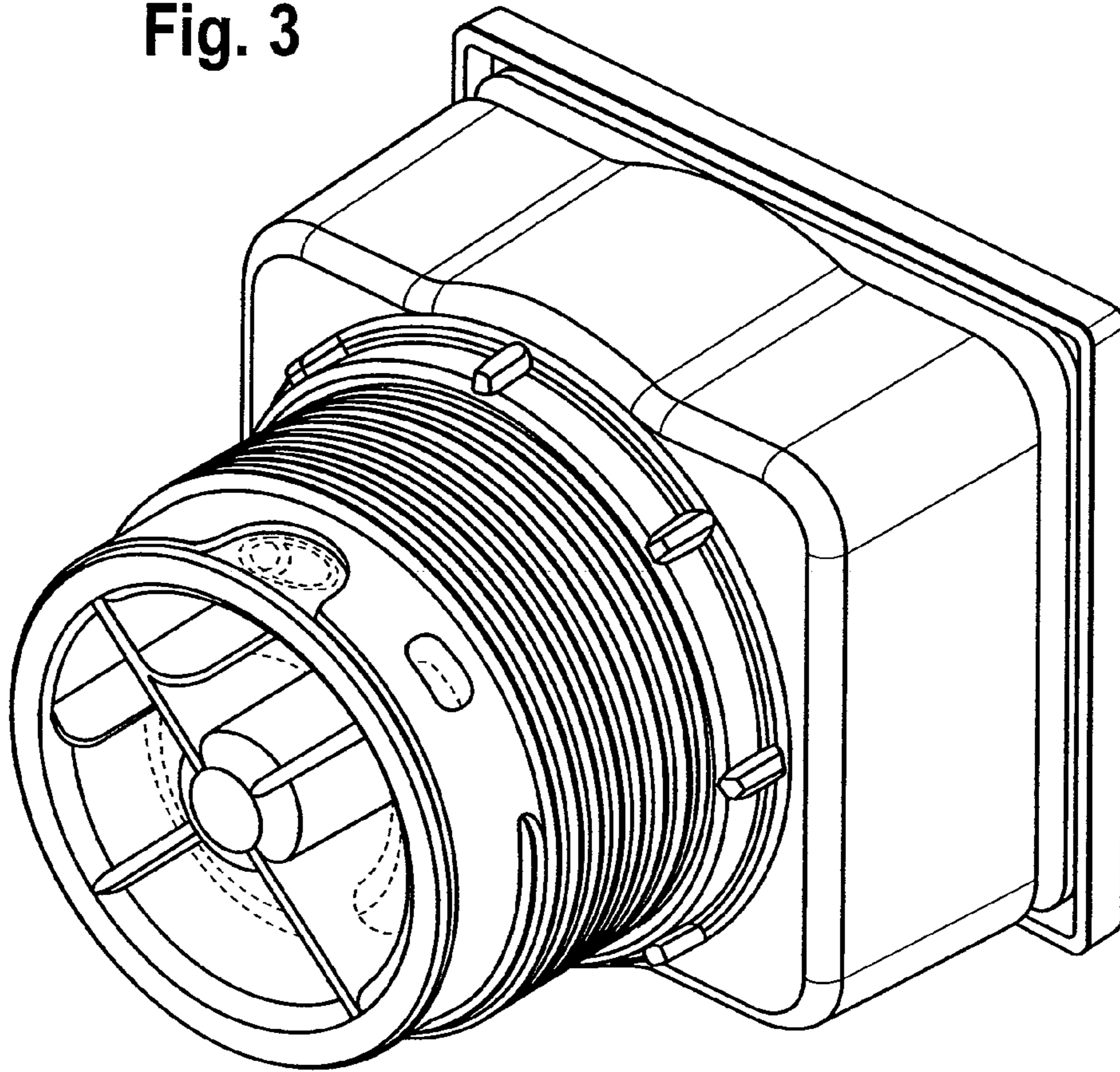


Fig. 4

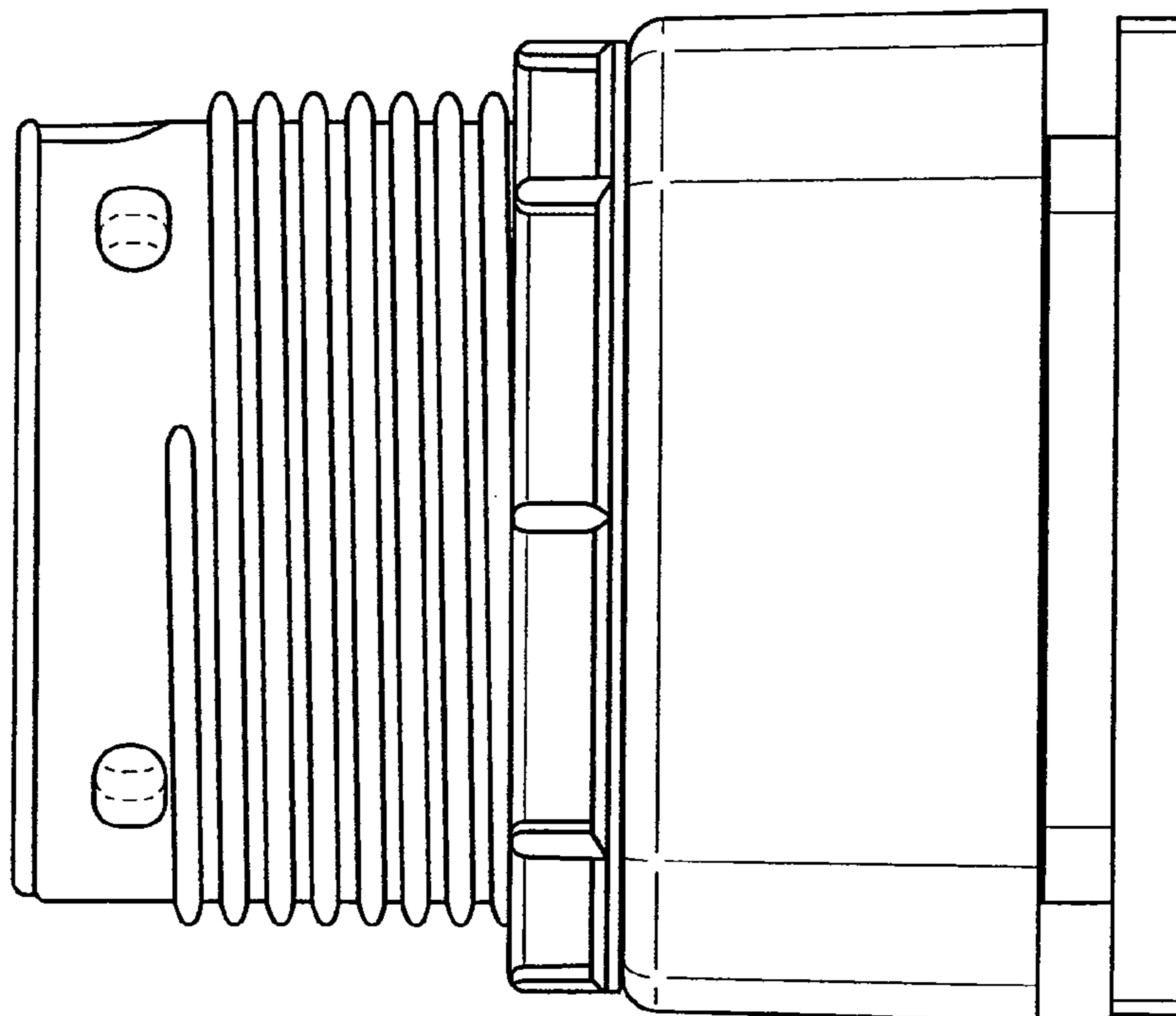


Fig. 5

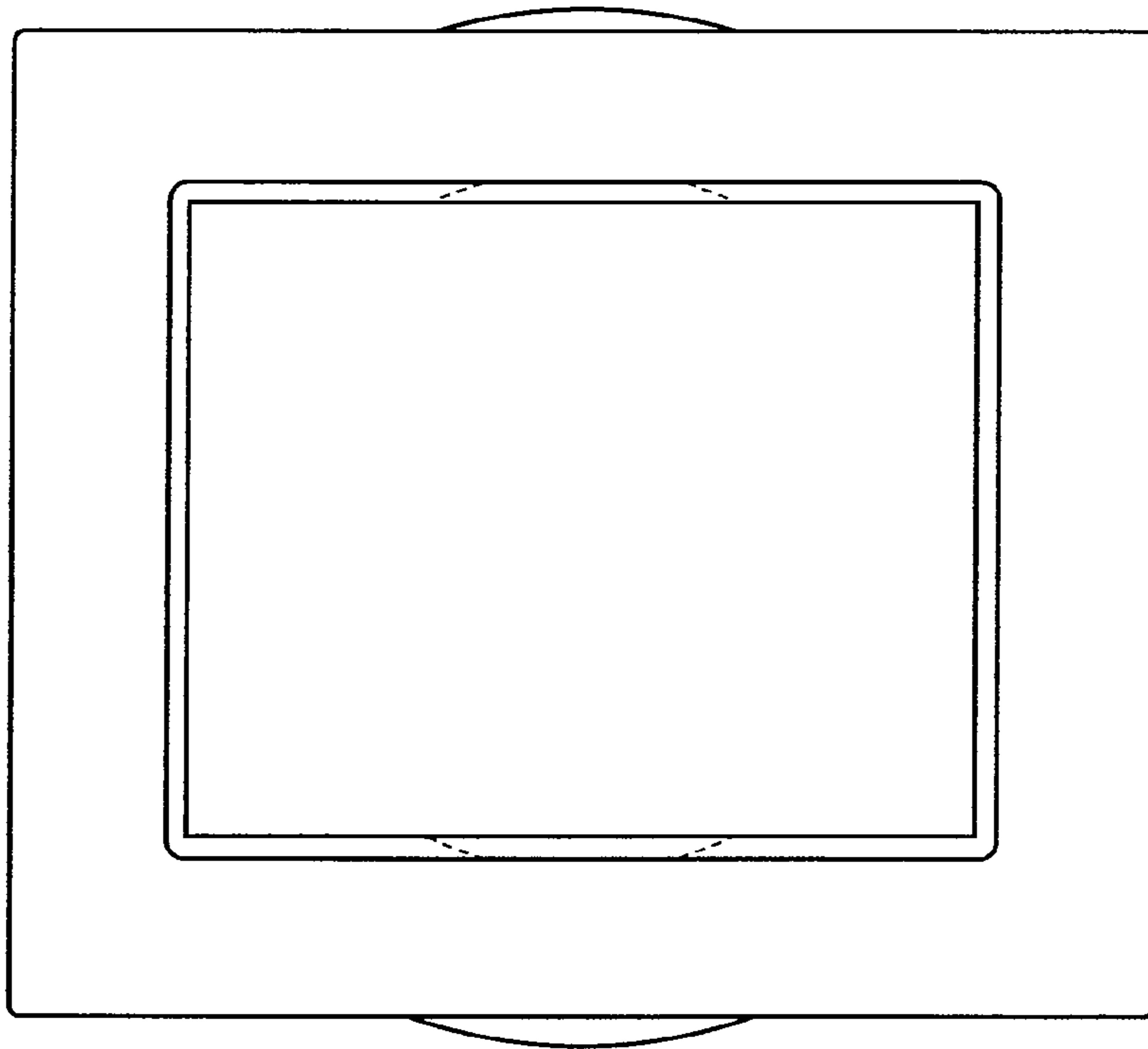


Fig. 6

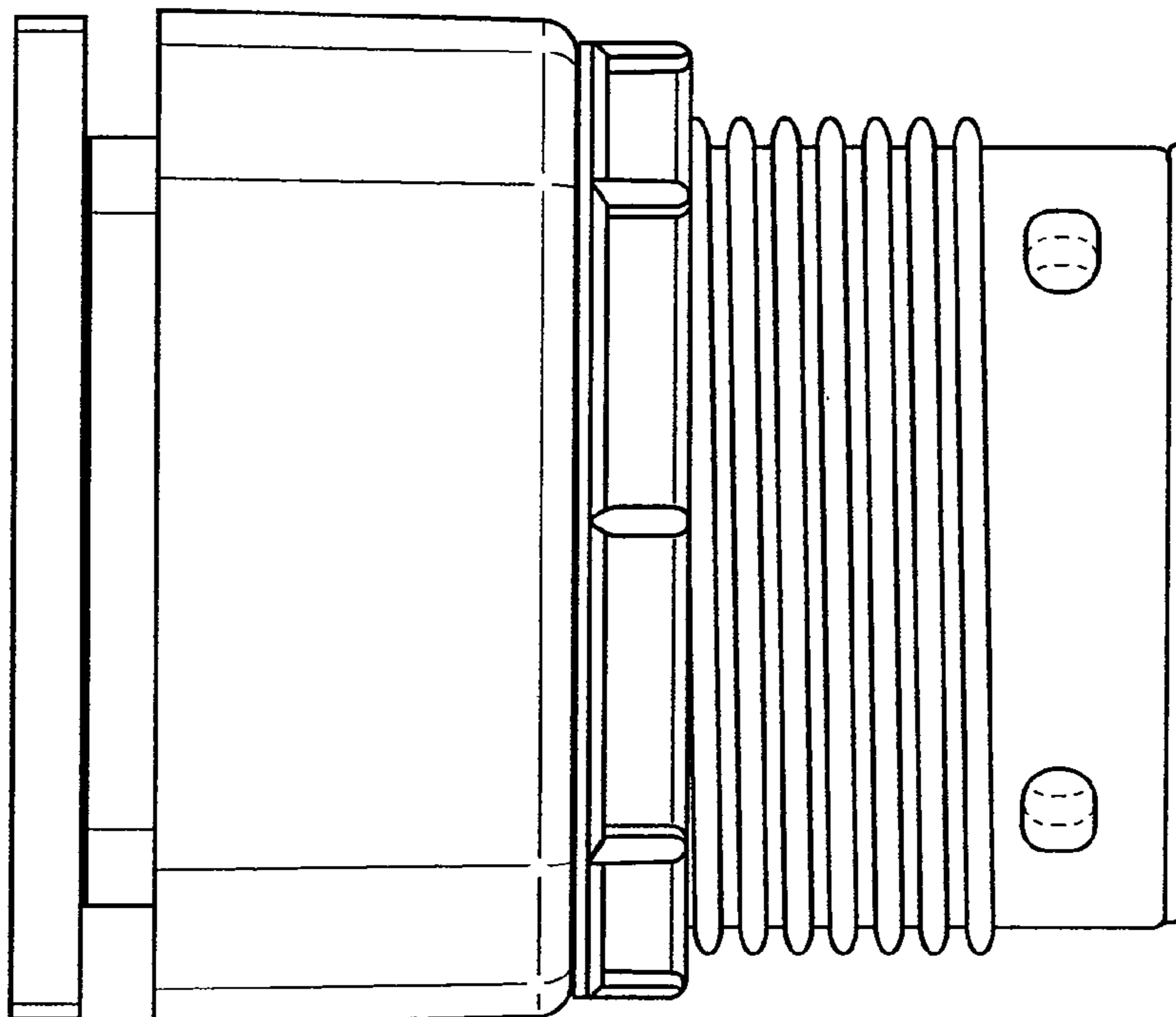


Fig. 7

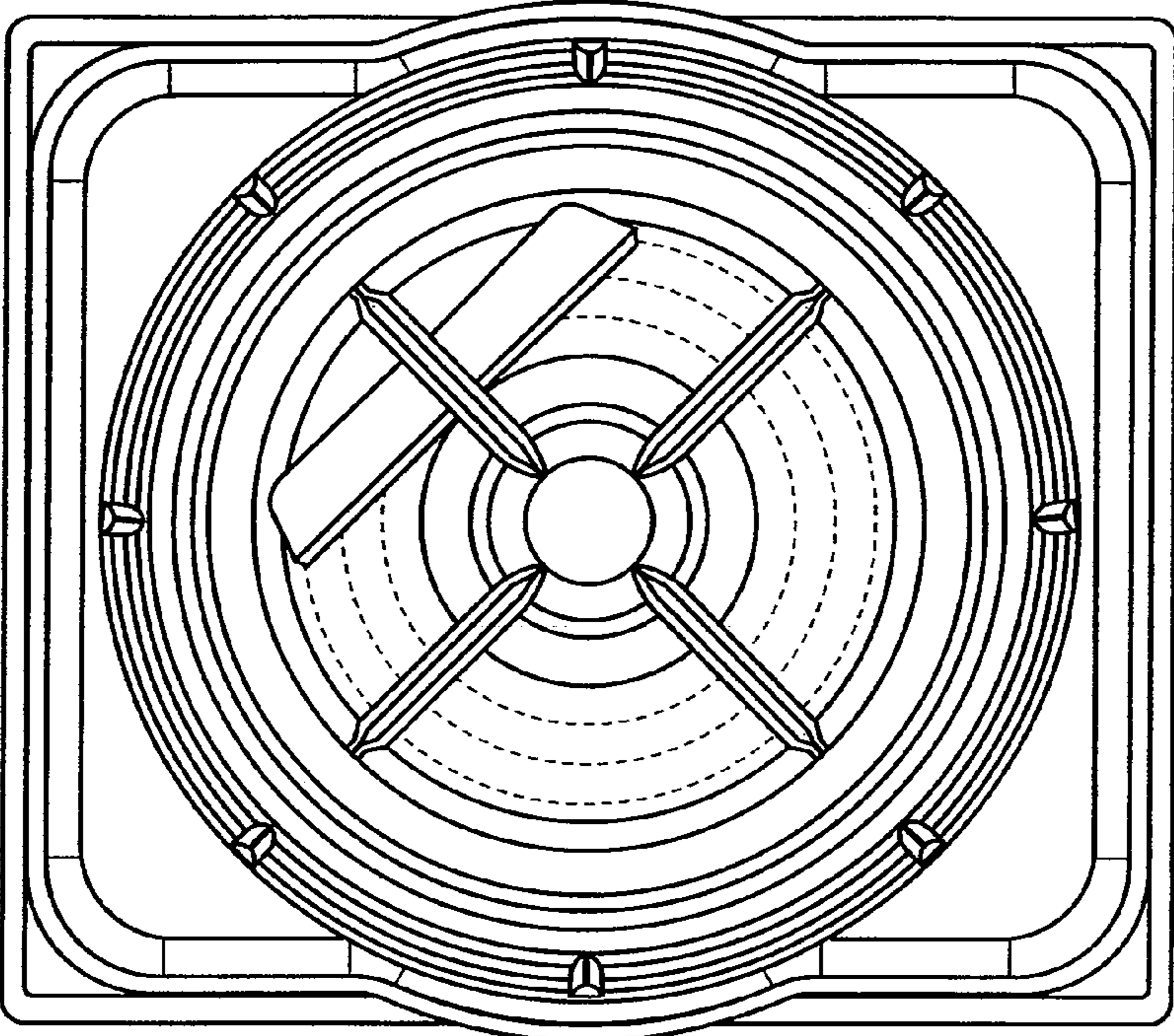


Fig. 8

