



US00D581362S

(12) **United States Design Patent**
Vitito

(10) **Patent No.:** **US D581,362 S**

(45) **Date of Patent:** **** Nov. 25, 2008**

(54) **ELECTRICAL CONNECTOR**

(76) **Inventor:** **Christopher J. Vitito**, 514 Longmeadow St., Celebration, FL (US) 34747

(**) **Term:** **14 Years**

(21) **Appl. No.:** **29/290,766**

(22) **Filed:** **Jan. 11, 2008**

(51) **LOC (8) Cl.** **13-03**

(52) **U.S. Cl.** **D13/147**

(58) **Field of Classification Search** D13/133,
D13/184, 154, 199, 146, 147; 439/79, 101,
439/108, 344, 350, 352, 447, 57, 571, 573,
439/540.1, 541.5, 607, 608, 825

See application file for complete search history.

(56) **References Cited**

U.S. PATENT DOCUMENTS

D435,016 S *	12/2000	Huang et al.	D13/147
D436,577 S *	1/2001	Azuma et al.	D13/147
D523,814 S *	6/2006	Wang	D13/147
D530,282 S *	10/2006	Sukegawa et al.	D13/147
D540,262 S *	4/2007	Yoneyama et al.	D13/147
D540,263 S *	4/2007	Kishi et al.	D13/147
D542,736 S *	5/2007	Riku	D13/147
D543,944 S *	6/2007	Yamada et al.	D13/147

D560,169 S *	1/2008	Kudo et al.	D13/147
D562,770 S *	2/2008	Obikane	D13/147
D564,452 S *	3/2008	Kudo	D13/147
D564,970 S *	3/2008	Higuchi et al.	D13/147
D570,289 S *	6/2008	Obikane	D13/147

* cited by examiner

Primary Examiner—Daniel D Bui

Assistant Examiner—Thomas J Johannes

(74) *Attorney, Agent, or Firm*—Welsh & Flaxman LLC

(57) **CLAIM**

The ornamental design for an electrical connector, as shown and described.

DESCRIPTION

FIG. 1 is a top perspective view of an electrical connector showing my new design.

FIG. 2 is a top plan view of thereof.

FIG. 3 is a bottom plan view of thereof.

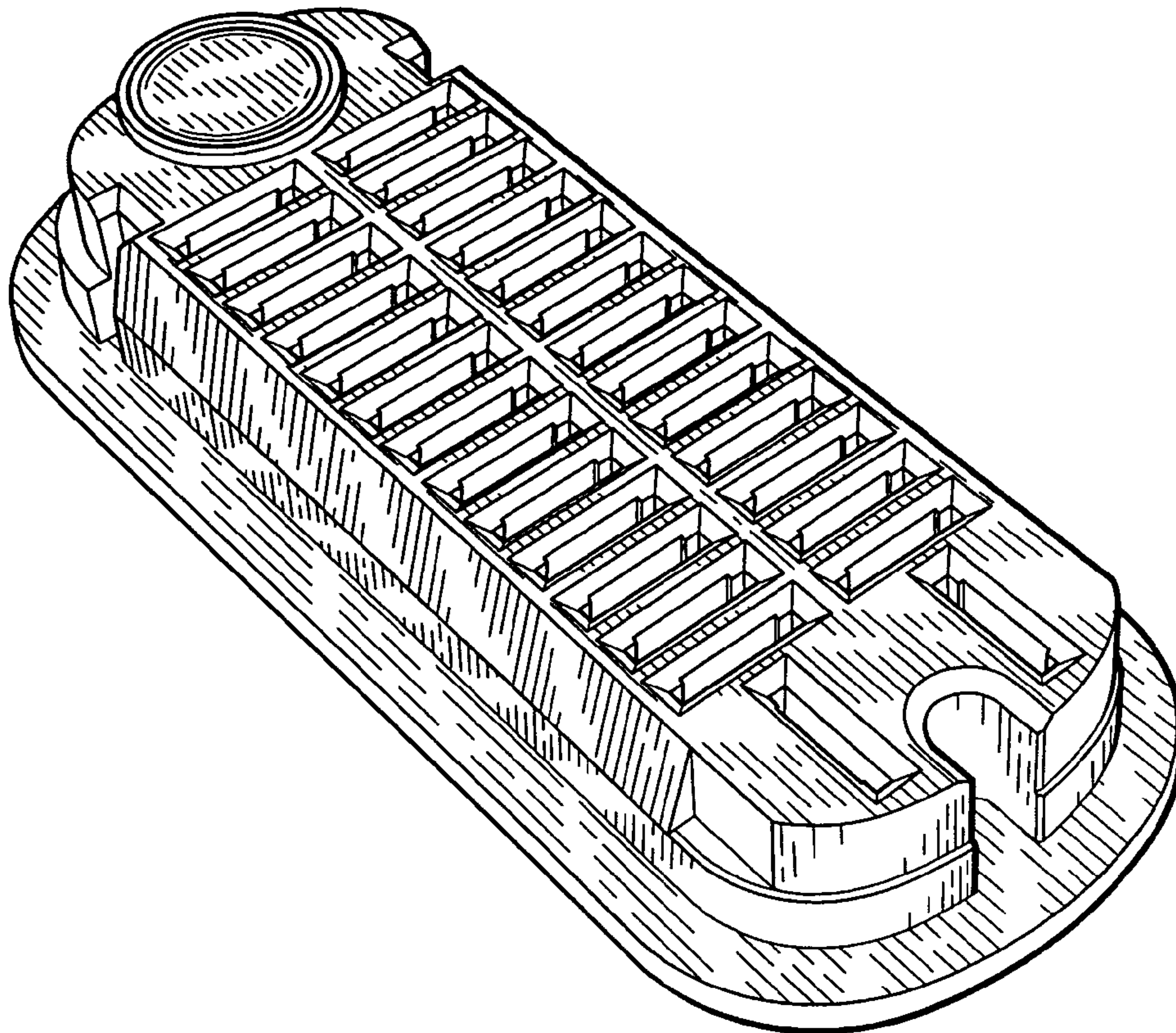
FIG. 4 is a side plan view of thereof.

FIG. 5 is a opposite side plan view of thereof.

FIG. 6 is a rear end plan view of thereof; and,

FIG. 7 is a front end plan view of thereof.

1 Claim, 3 Drawing Sheets



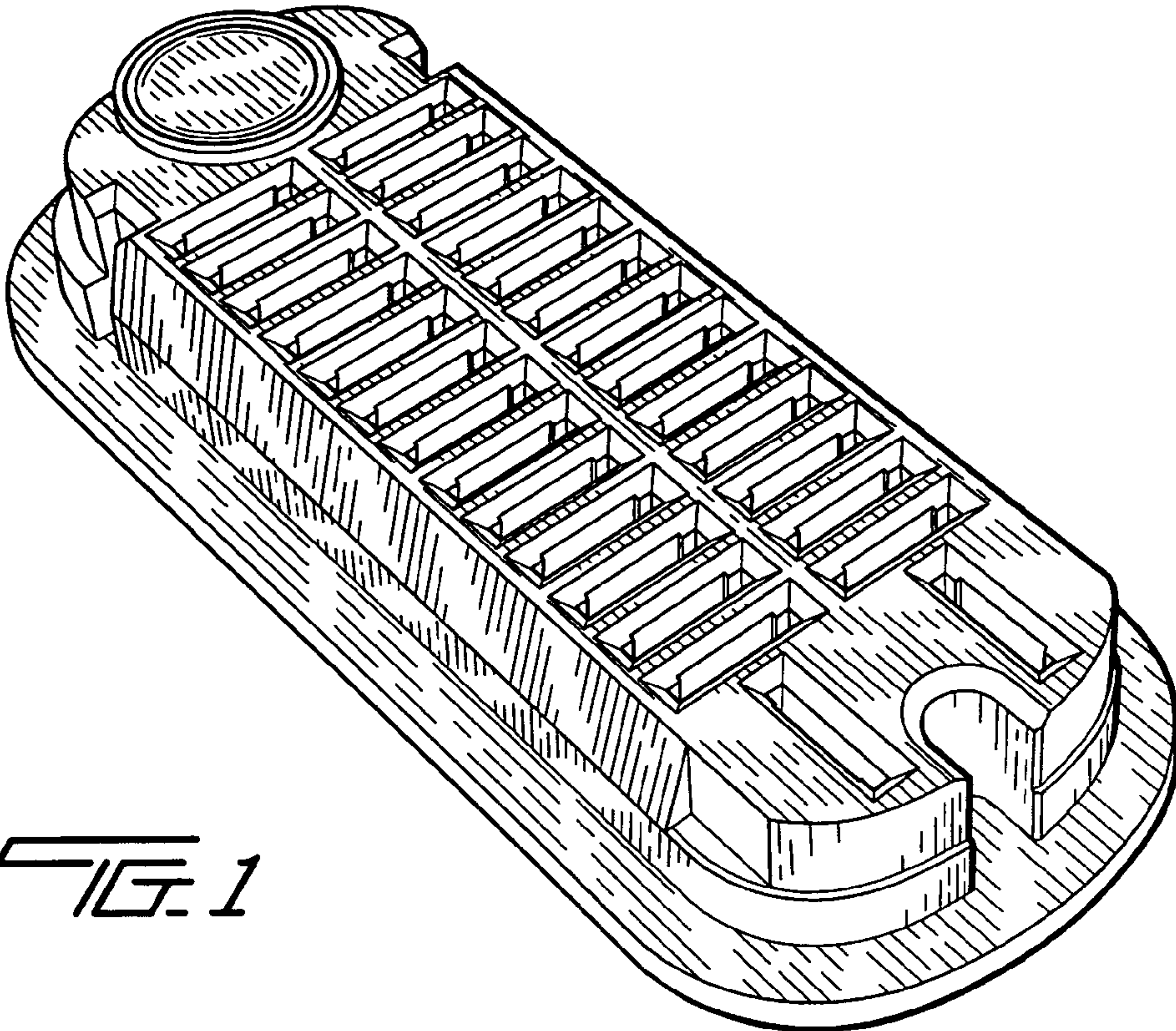


FIG. 1

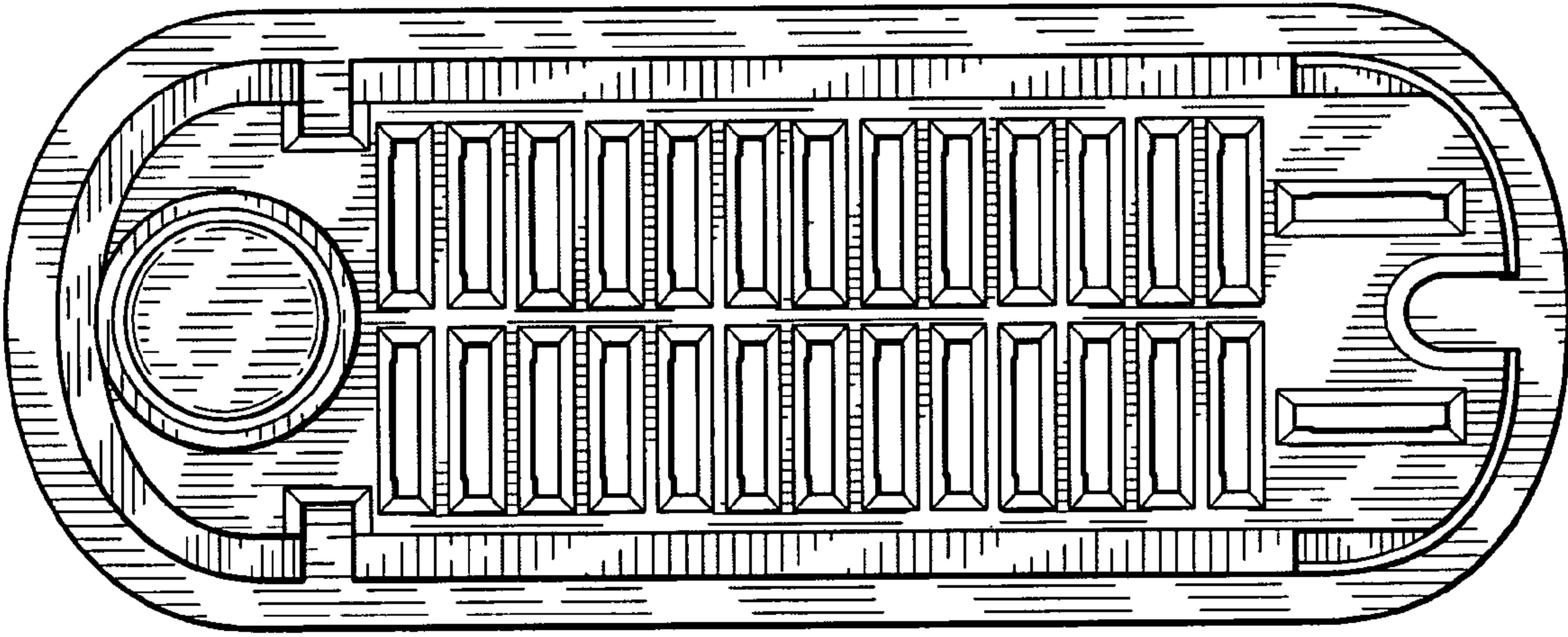


FIG. 2



FIG. 3

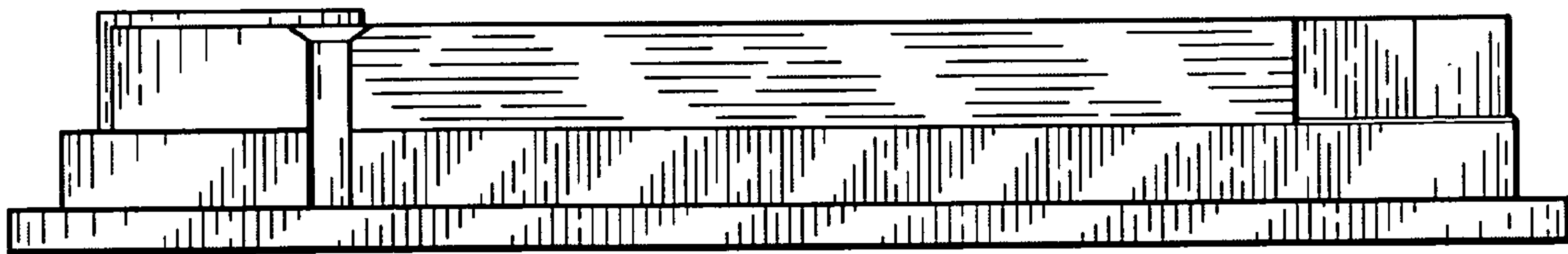


FIG. 4

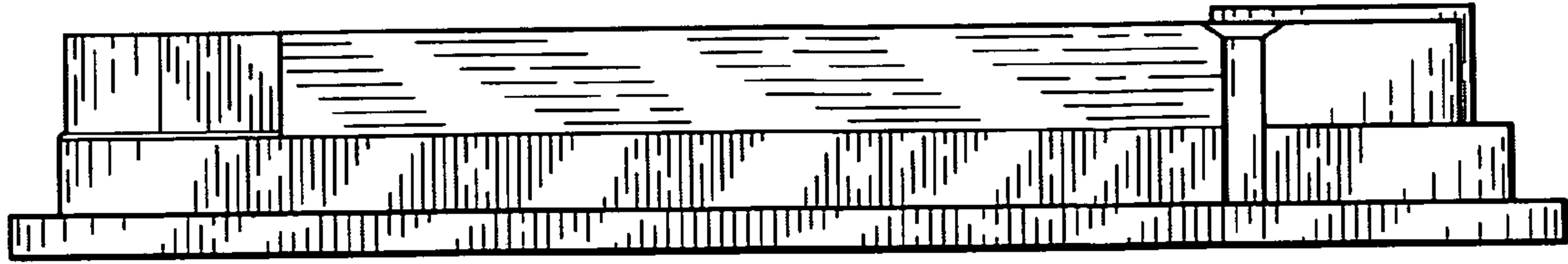


FIG. 5

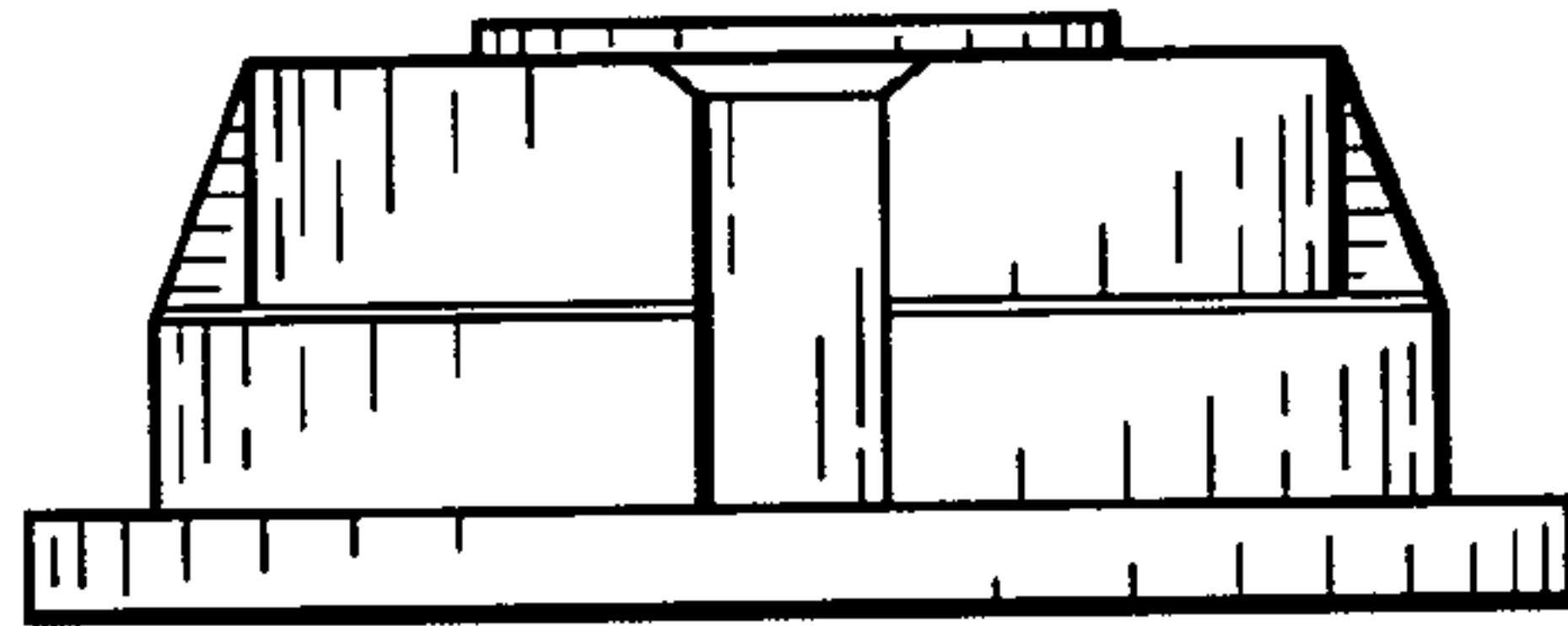


FIG. 6

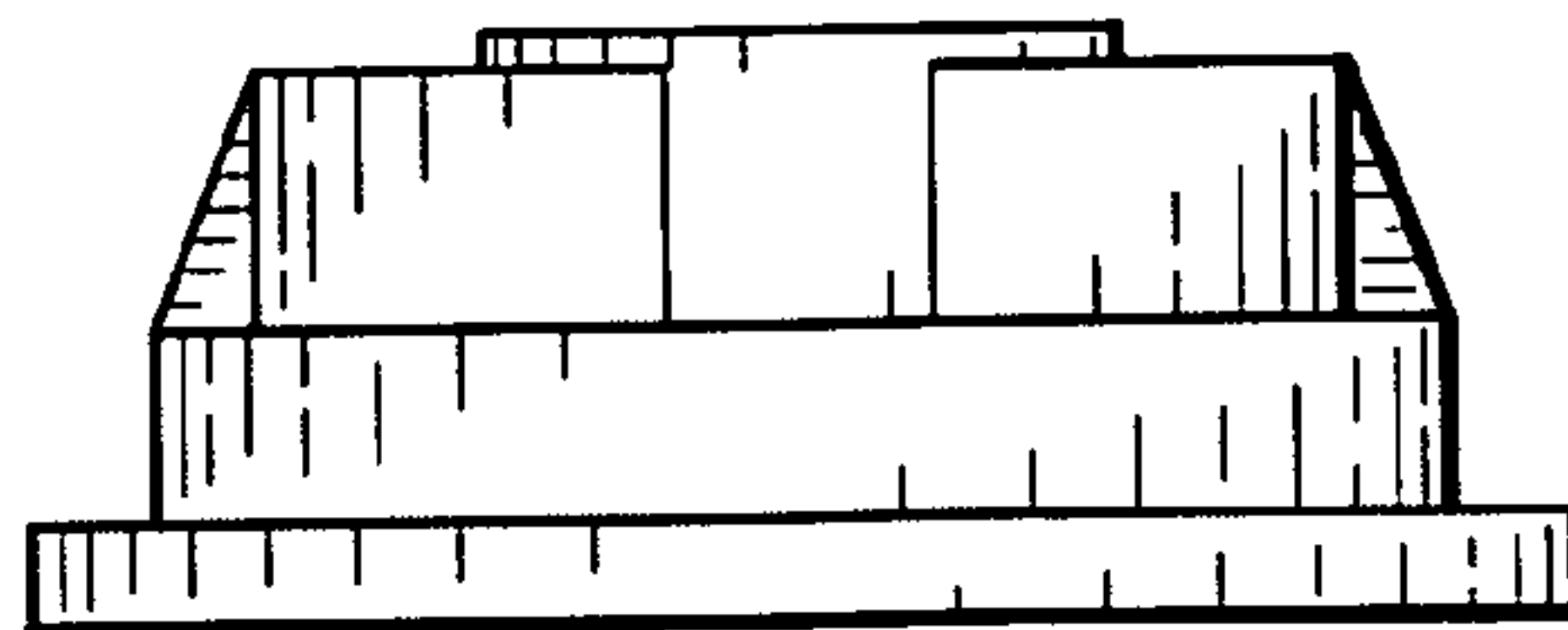


FIG. 7