



US00D581358S

(12) **United States Design Patent**
Montena

(10) **Patent No.:** **US D581,358 S**

(45) **Date of Patent:** **** Nov. 25, 2008**

(54) **TAMPER RESISTANT ELECTRICAL
GROUND BLOCK**

(75) Inventor: **Noah Montena**, Syracuse, NY (US)

(73) Assignee: **John Mezzalingue Associates, Inc.**,
East Syracuse, NY (US)

(**) Term: **14 Years**

(21) Appl. No.: **29/247,335**

(22) Filed: **Jun. 12, 2006**

(51) **LOC (8) Cl.** **13-03**

(52) **U.S. Cl.** **D13/133**

(58) **Field of Classification Search** D13/133,
D13/154, 184, 199; 439/92, 95, 96, 97, 98,
439/99, 101, 108; 379/413.03; 174/51
See application file for complete search history.

(56) **References Cited**

U.S. PATENT DOCUMENTS

4,915,653	A *	4/1990	Mair	439/781
5,004,437	A *	4/1991	Walter et al.	439/811
5,127,848	A *	7/1992	Taguchi	439/489
5,163,852	A *	11/1992	Buck	439/578
5,681,191	A *	10/1997	Robicheau et al.	439/877
5,984,697	A *	11/1999	Moran et al.	439/92
6,011,218	A *	1/2000	Burek et al.	174/40 CC

6,149,443	A *	11/2000	Moran	439/66
D508,676	S *	8/2005	Franks, Jr.	D13/133
7,198,495	B1 *	4/2007	Youtsey	439/97
7,345,240	B2 *	3/2008	Montena	174/74 R
2006/0089027	A1 *	4/2006	Chawgo et al.	439/133
2007/0284129	A1 *	12/2007	Montena	174/78

* cited by examiner

Primary Examiner—Daniel D Bui

Assistant Examiner—Thomas J Johannes

(74) *Attorney, Agent, or Firm*—Pastel Law Firm; Christopher R Pastel

(57) **CLAIM**

The ornamental design for a tamper resistant electrical ground block, as shown and described.

DESCRIPTION

FIG. 1 is a perspective view of a tamper resistant electrical ground block, showing my new design;

FIG. 2 is a front elevation view thereof;

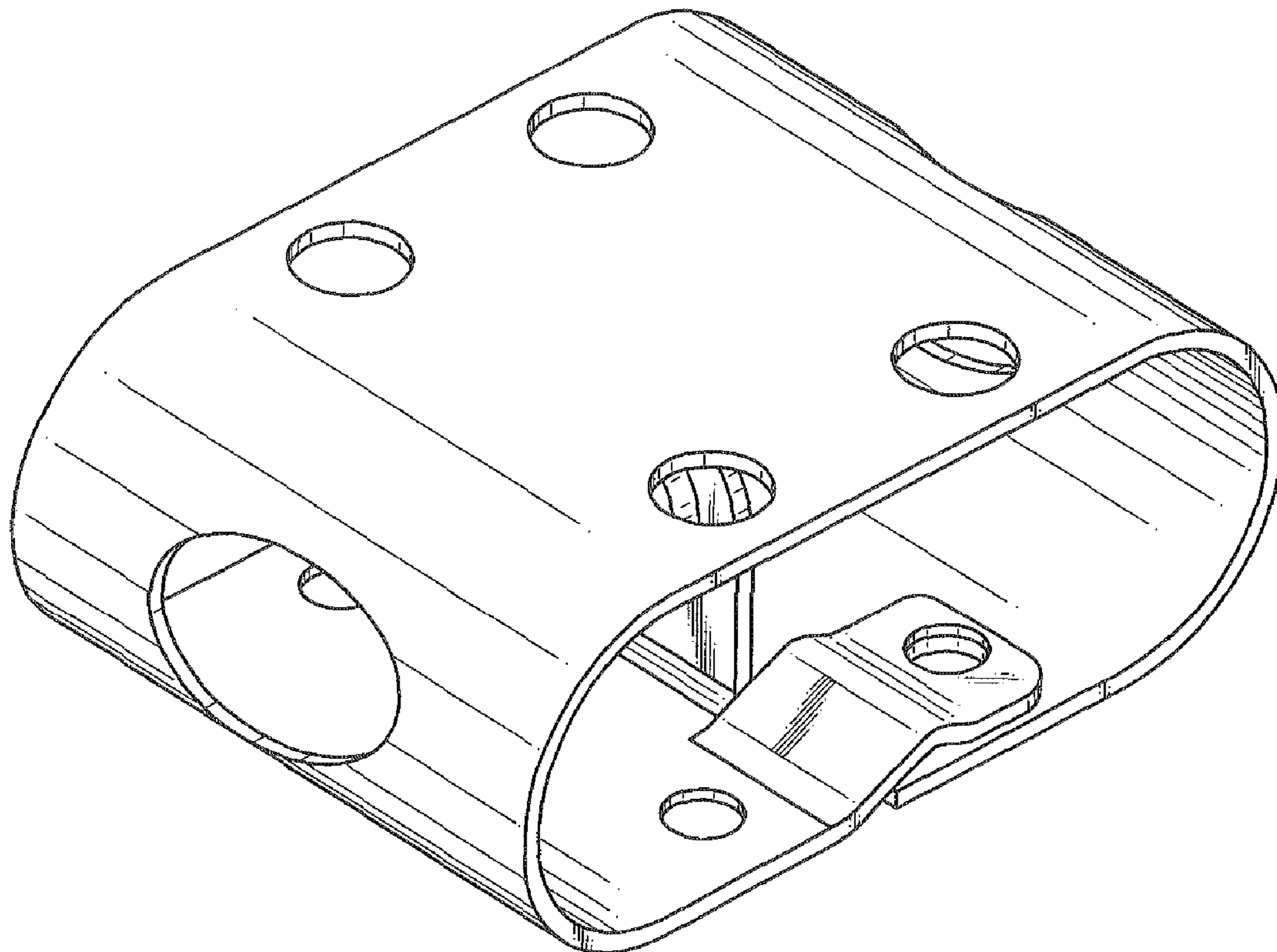
FIG. 3 is a top view thereof;

FIG. 4 is a bottom view thereof; and,

FIG. 5 is a side elevation view thereof.

The broken line in FIG. 5 is for illustrative purposes only and forms no part of the claimed design.

1 Claim, 3 Drawing Sheets



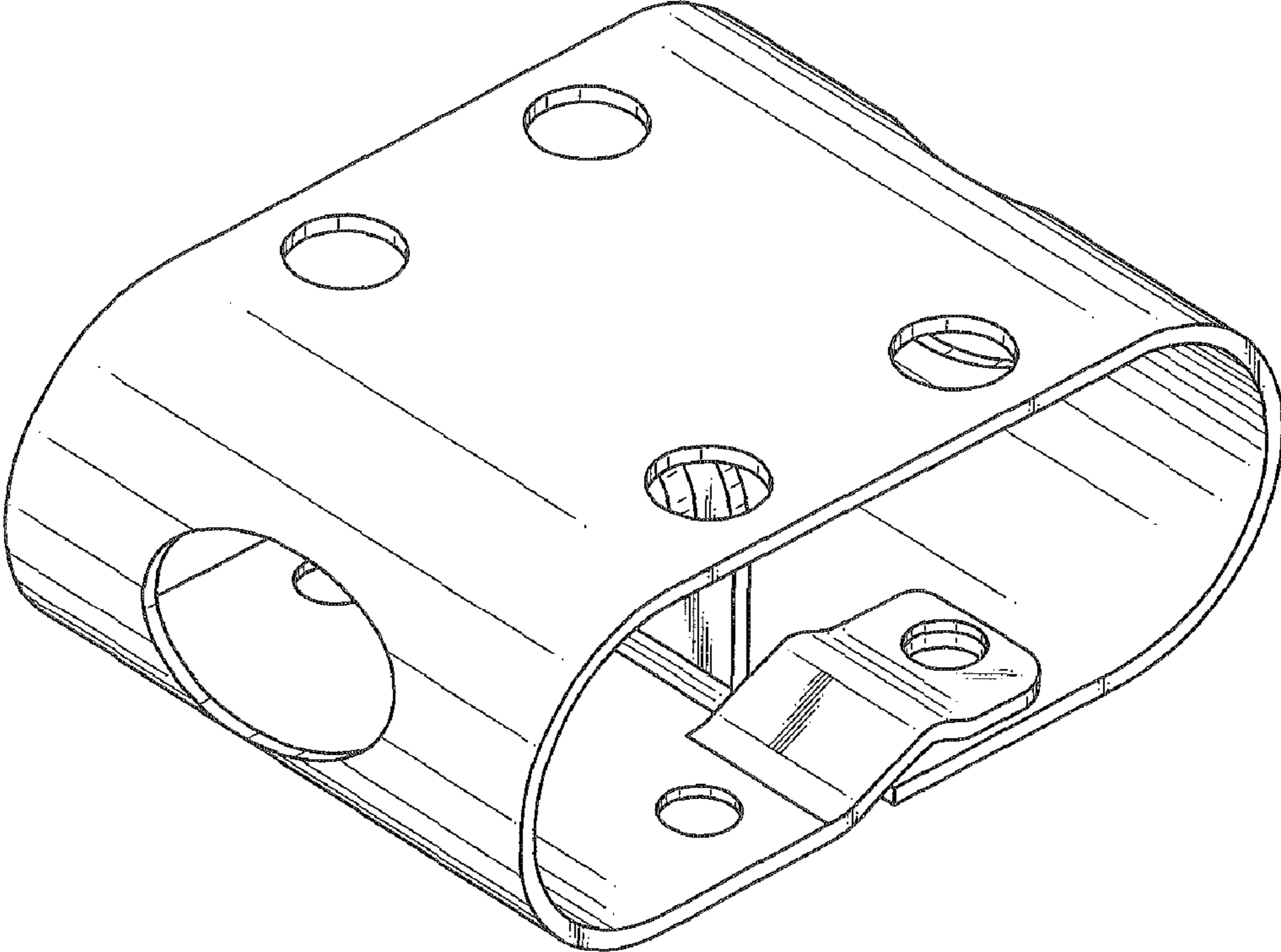


FIG. 1

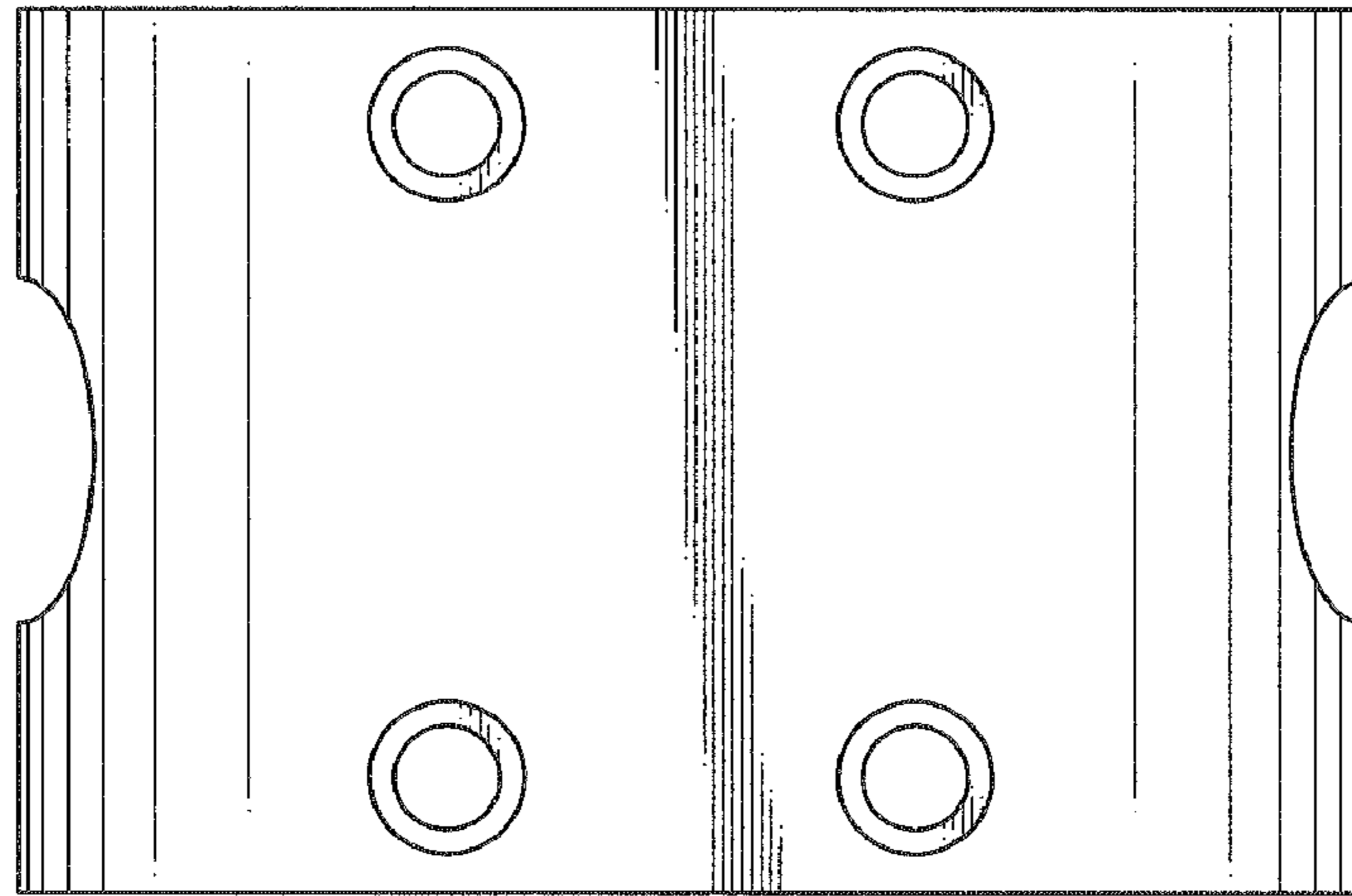


FIG.3

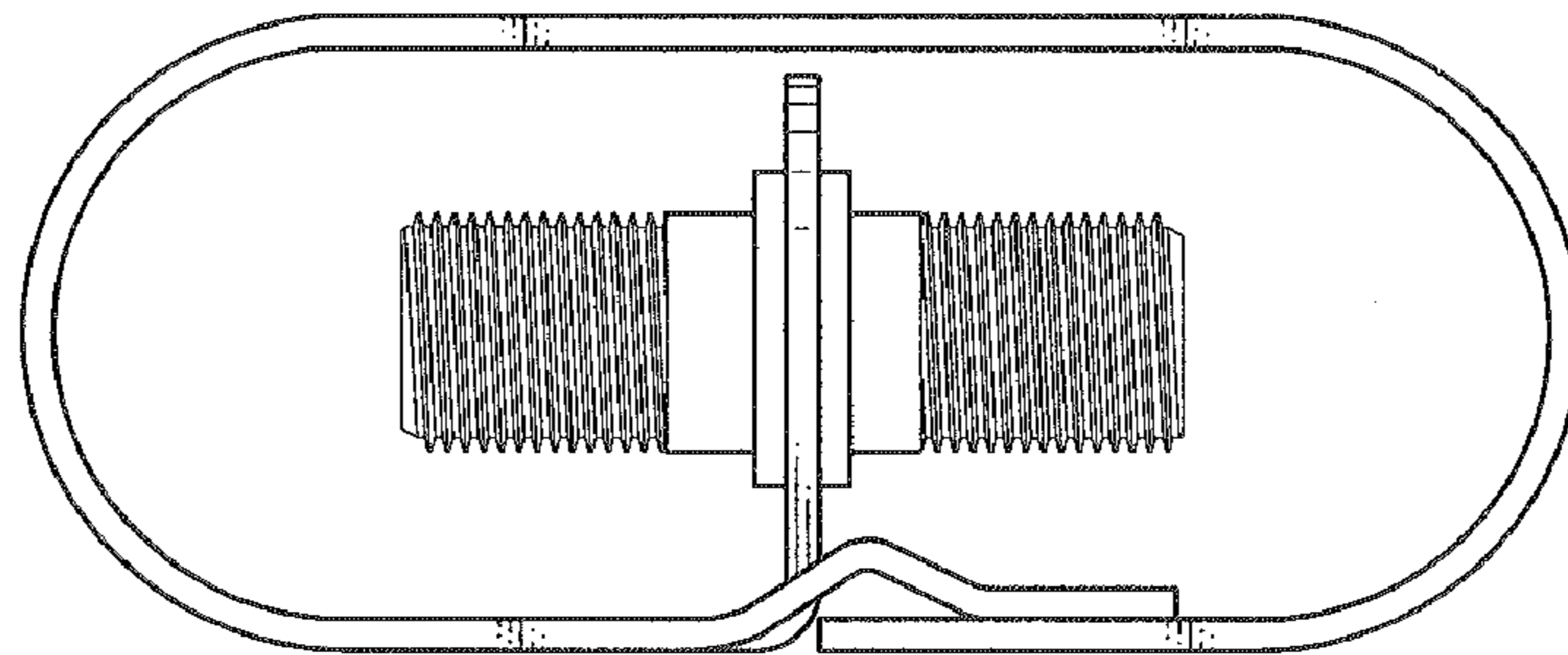


FIG.2

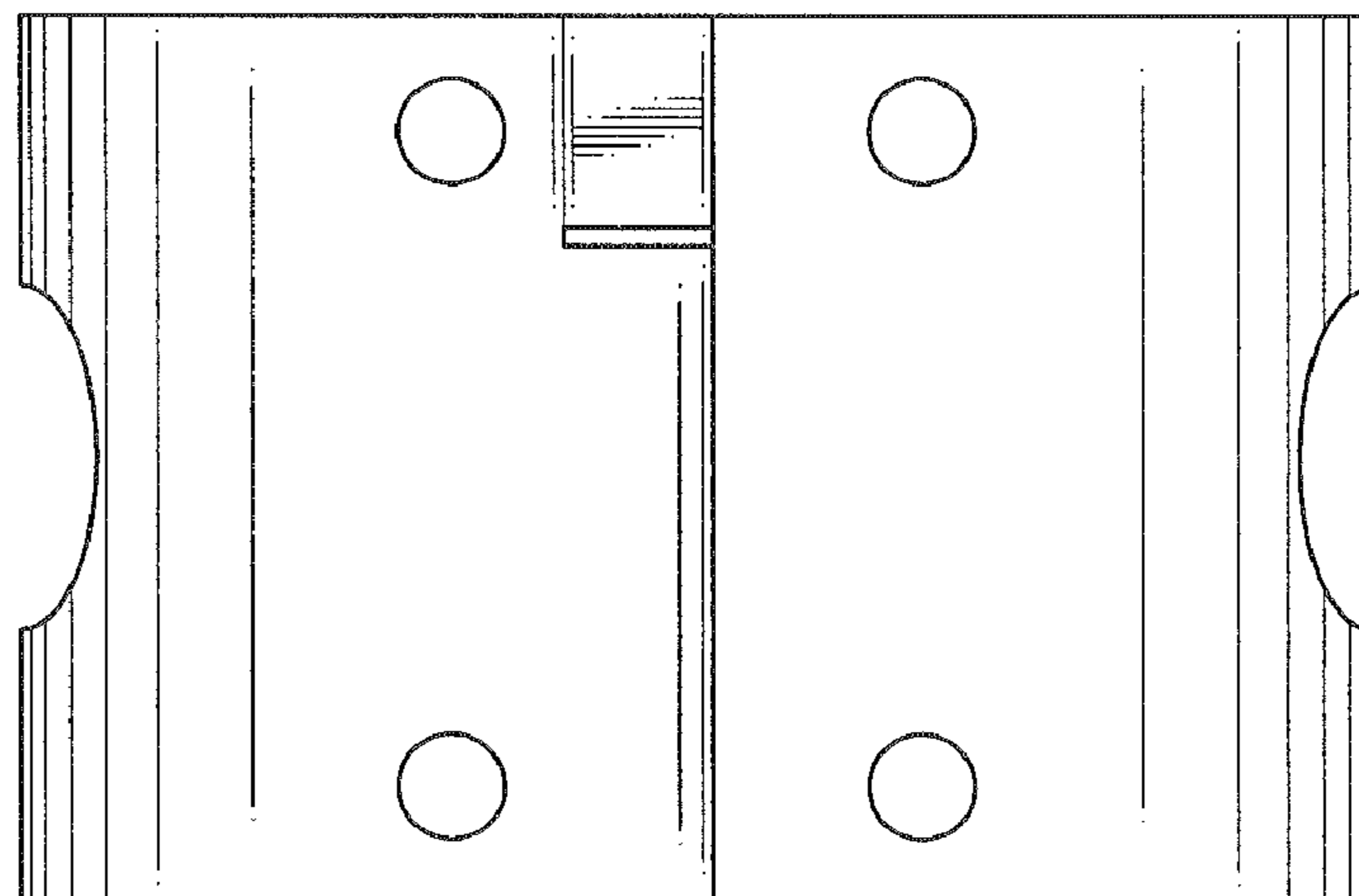


FIG.4

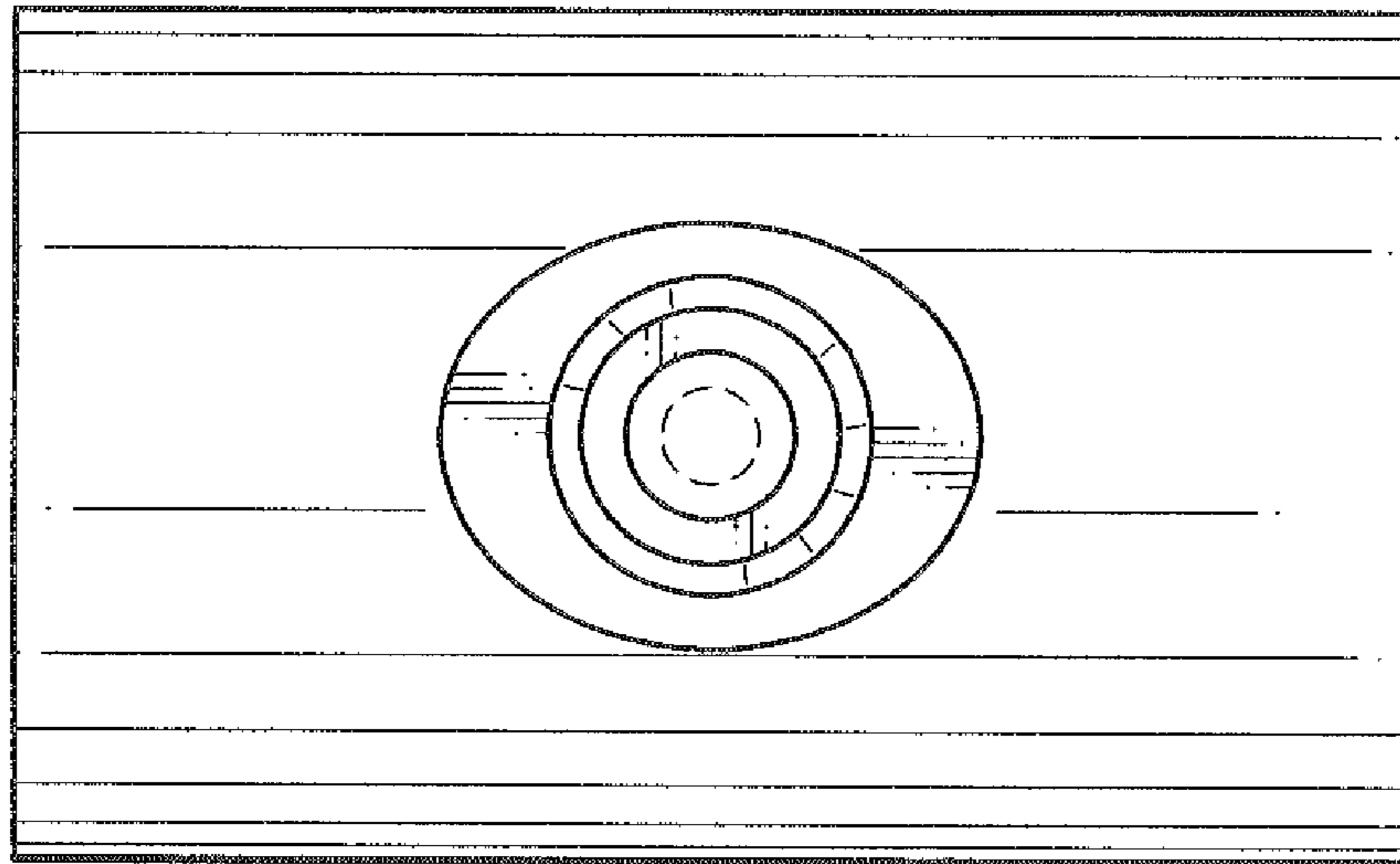


FIG.5