



US00D581357S

(12) **United States Design Patent**  
**Hsu**

(10) **Patent No.:** **US D581,357 S**

(45) **Date of Patent:** **\*\* Nov. 25, 2008**

(54) **ROTISSERIE APPARATUS**

(76) Inventor: **Huang-Hsi Hsu**, 8F., No. 14, Lane 252,  
Chungshan N. Rd., Sec. 6, Taipei (TW)

(\*\*) Term: **14 Years**

(21) Appl. No.: **29/287,597**

(22) Filed: **Aug. 28, 2007**

(51) **LOC (8) Cl.** ..... **13-01**

(52) **U.S. Cl.** ..... **D13/112**

(58) **Field of Classification Search** ..... D13/112,  
D13/114, 199; D7/338, 339, 402; 99/341,  
99/420, 421, 427; 126/19 M, 25 A, 25 R,  
126/39 L, 273.5; 310/37, 66, 89, 273  
See application file for complete search history.

(56) **References Cited**

**U.S. PATENT DOCUMENTS**

- D230,937 S \* 3/1974 Bartasevich ..... D13/112
- D242,759 S \* 12/1976 Painter et al. .... D13/112
- D261,471 S \* 10/1981 Koziol ..... D7/402
- D292,473 S \* 10/1987 Fisher ..... D7/402
- 6,484,625 B2 \* 11/2002 Waltman ..... 99/421 HH
- D491,415 S \* 6/2004 Rummel et al. .... D7/402

6,810,793 B1 \* 11/2004 Hsu ..... 99/341

\* cited by examiner

*Primary Examiner*—Prabhakar Deshmukh

*Assistant Examiner*—Derrick Holland

(74) *Attorney, Agent, or Firm*—Bacon & Thomas, PLLC

(57) **CLAIM**

The ornamental design for rotisserie apparatus, as shown and described.

**DESCRIPTION**

FIG. 1 is a front perspective view of a rotisserie apparatus showing my new design;

FIG. 2 is a front elevational view thereof;

FIG. 3 is a rear elevational view thereof;

FIG. 4 is a left side elevational view thereof;

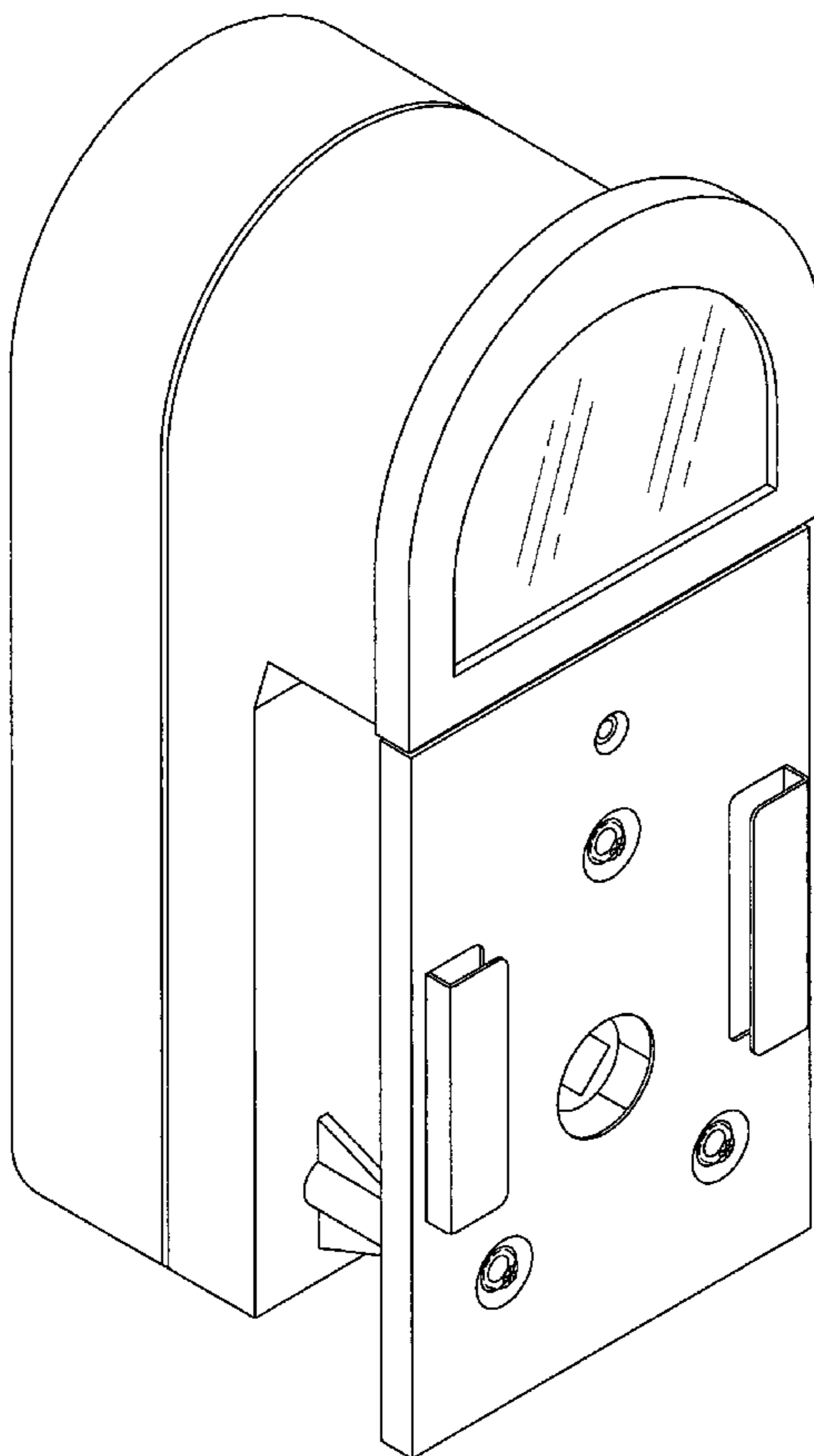
FIG. 5 is a right side elevational view thereof;

FIG. 6 is a top plan view thereof; and,

FIG. 7 is a bottom plan view thereof.

The three circular elements shown in broken lines in FIG. 3 represent the portions of the design that form no part of the claim.

**1 Claim, 7 Drawing Sheets**



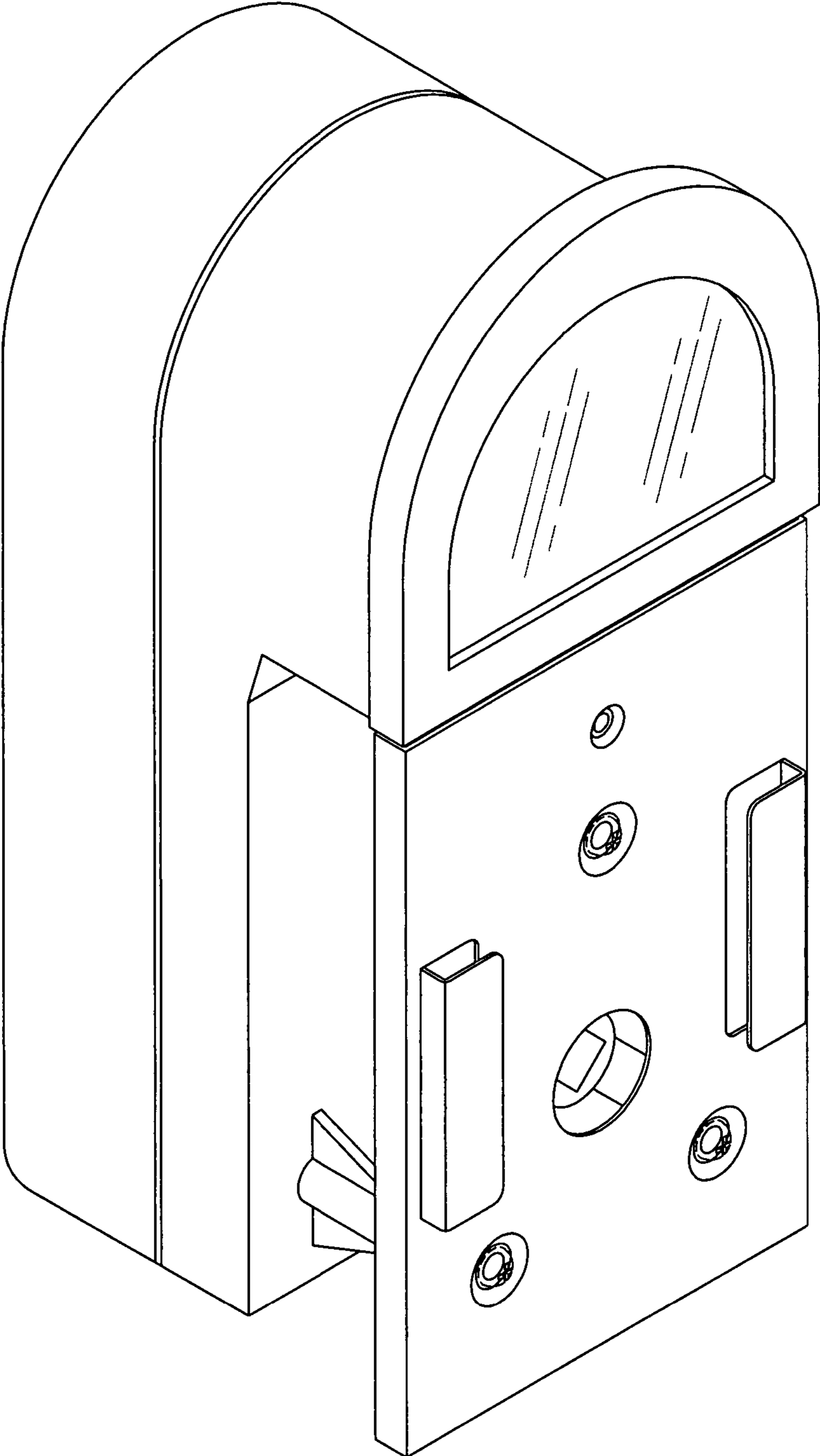


FIG. 1

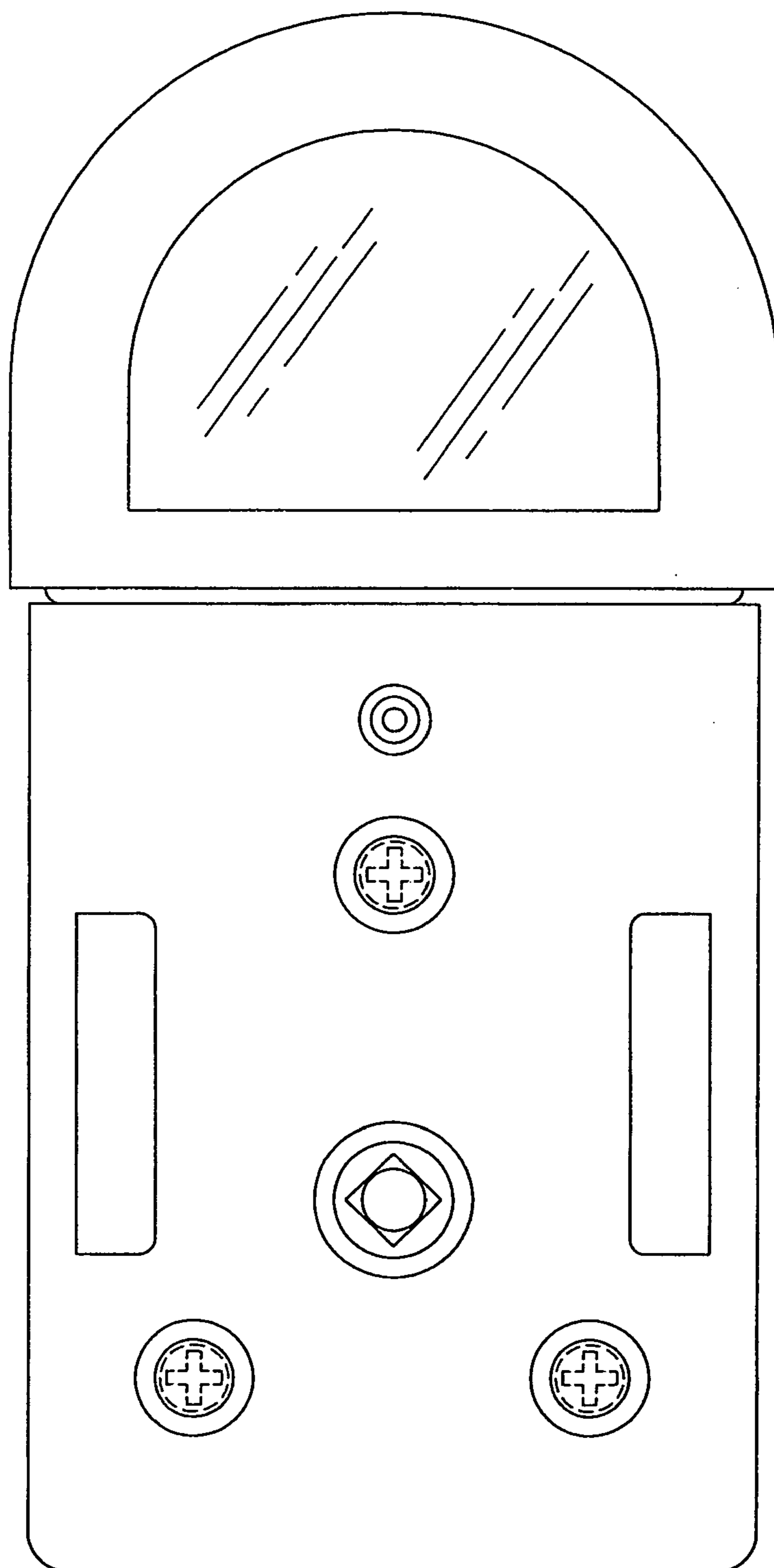


FIG. 2

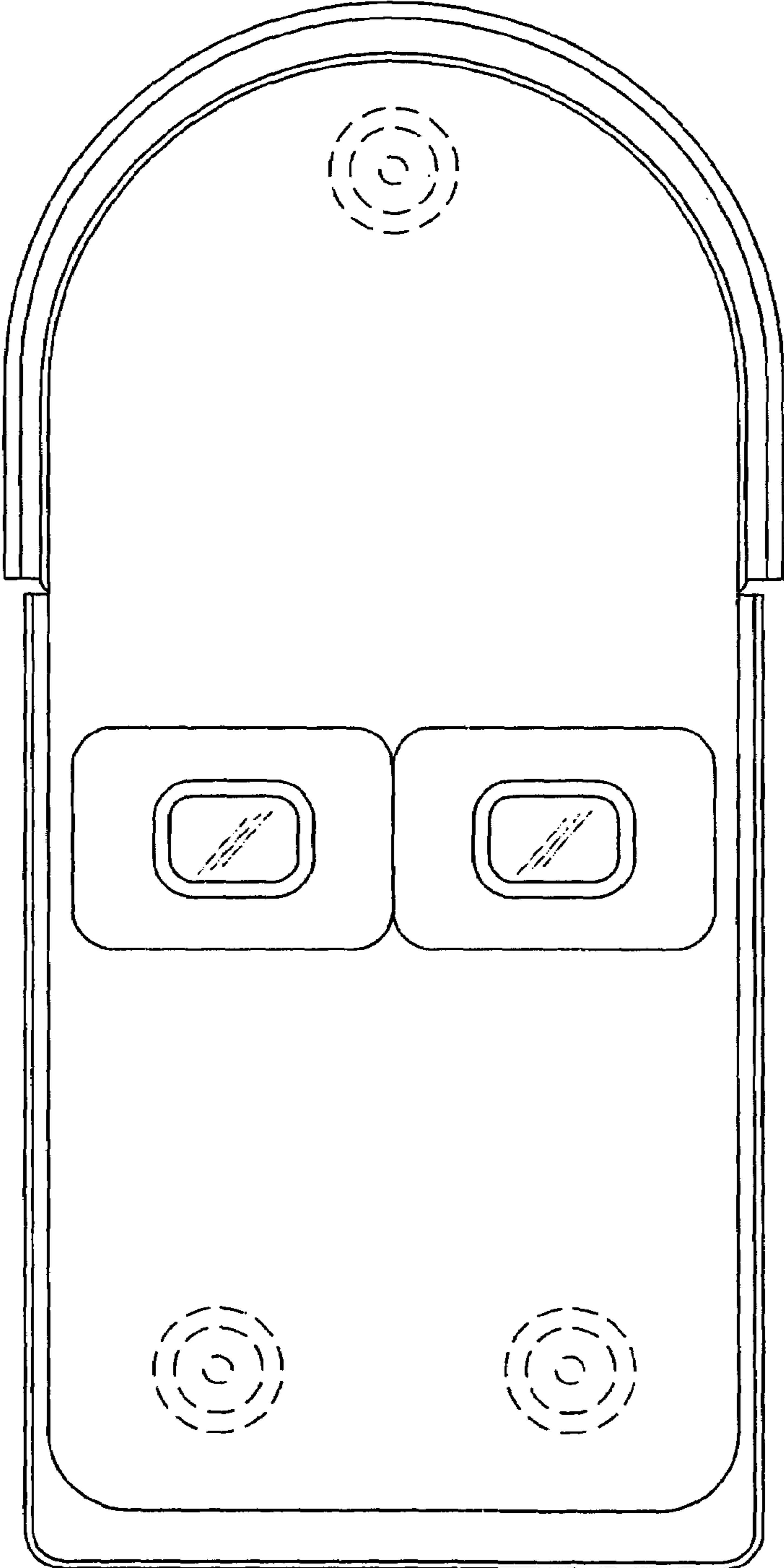


FIG. 3

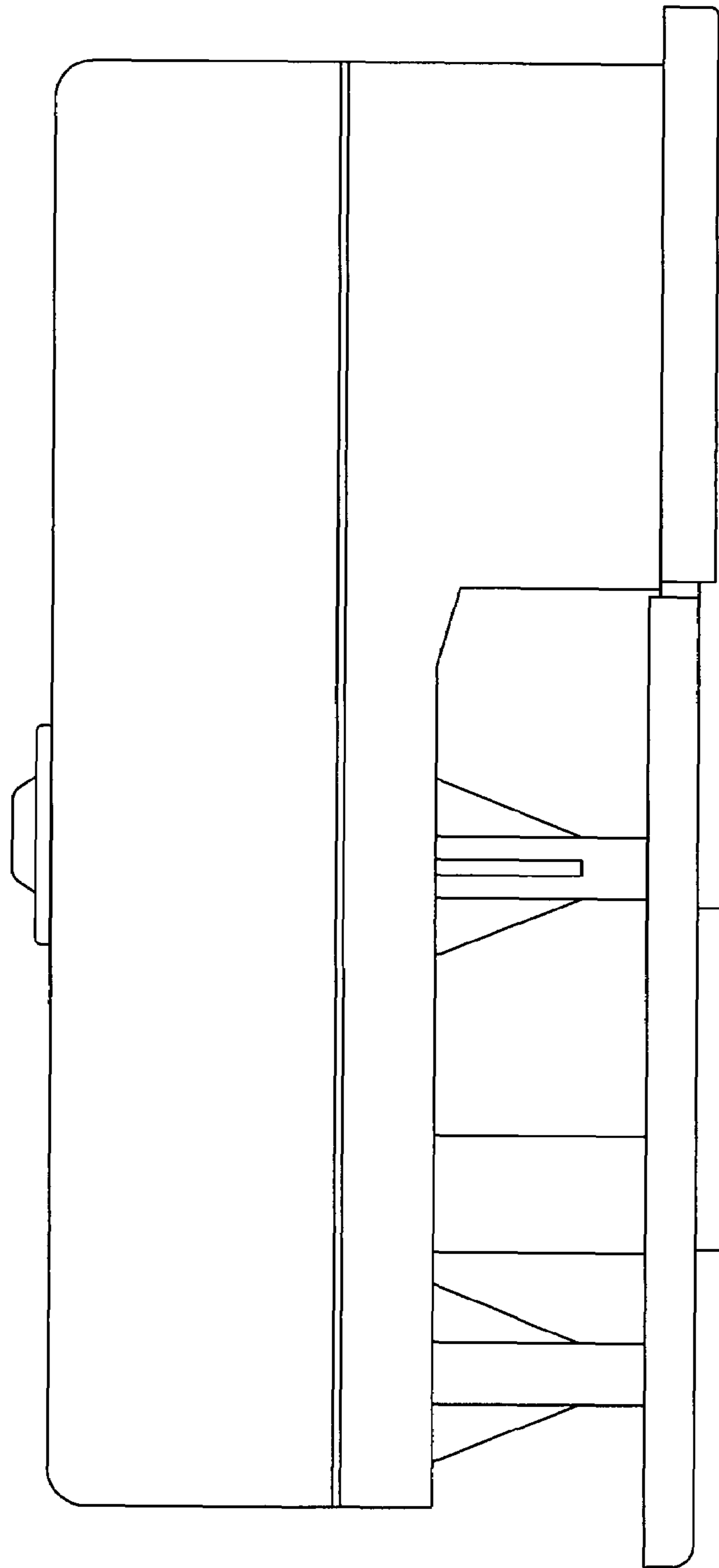


FIG. 4

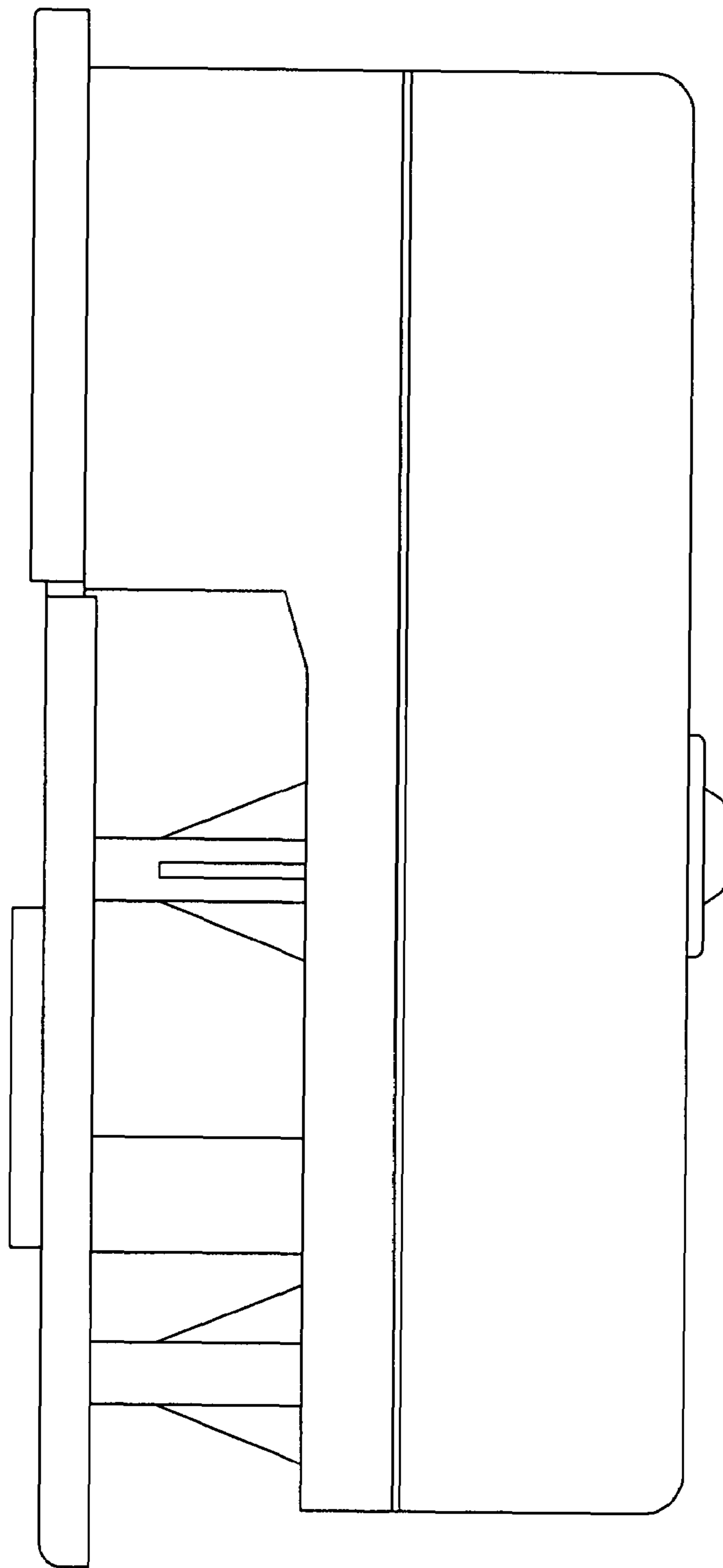


FIG. 5

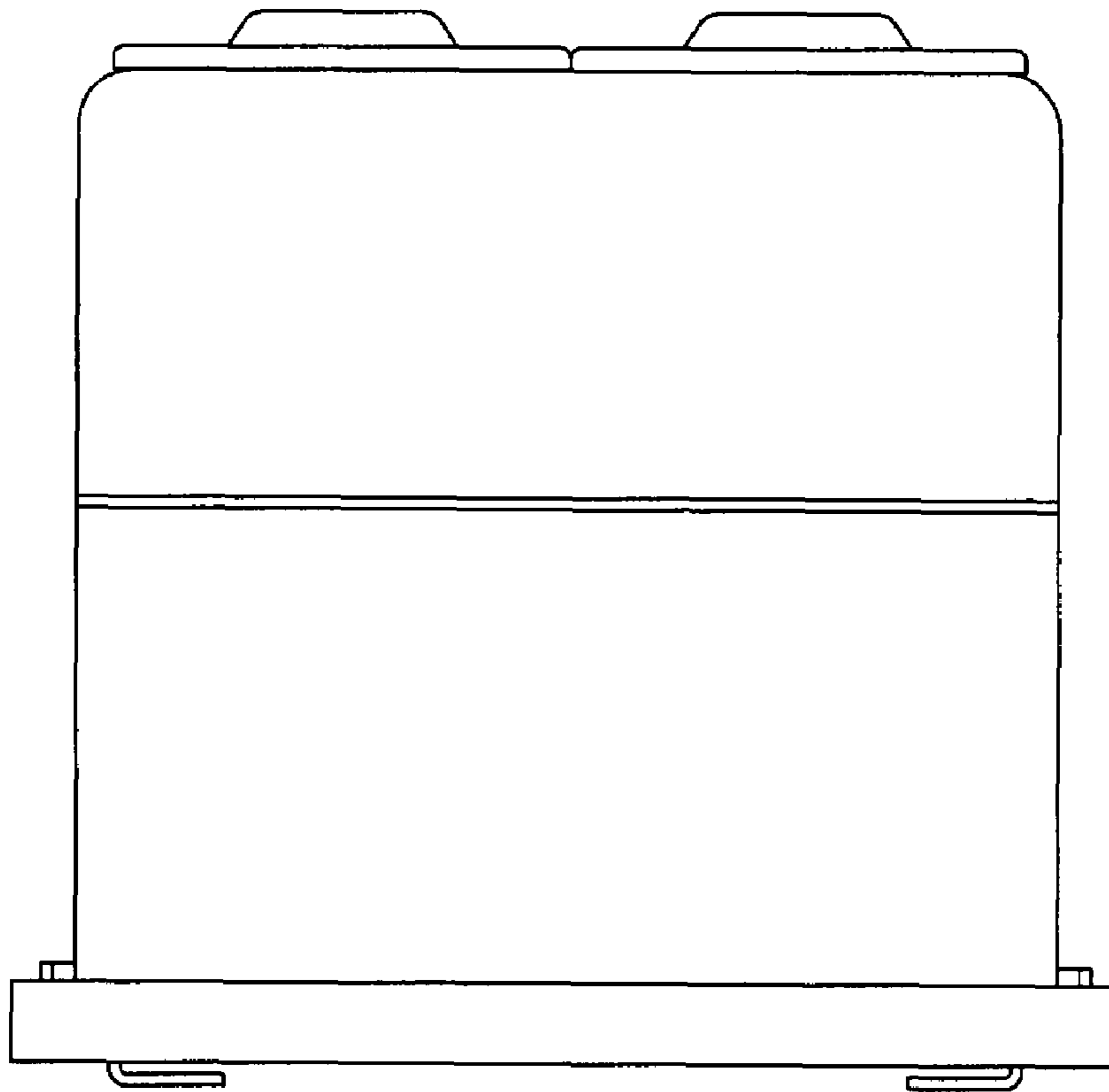


FIG. 6

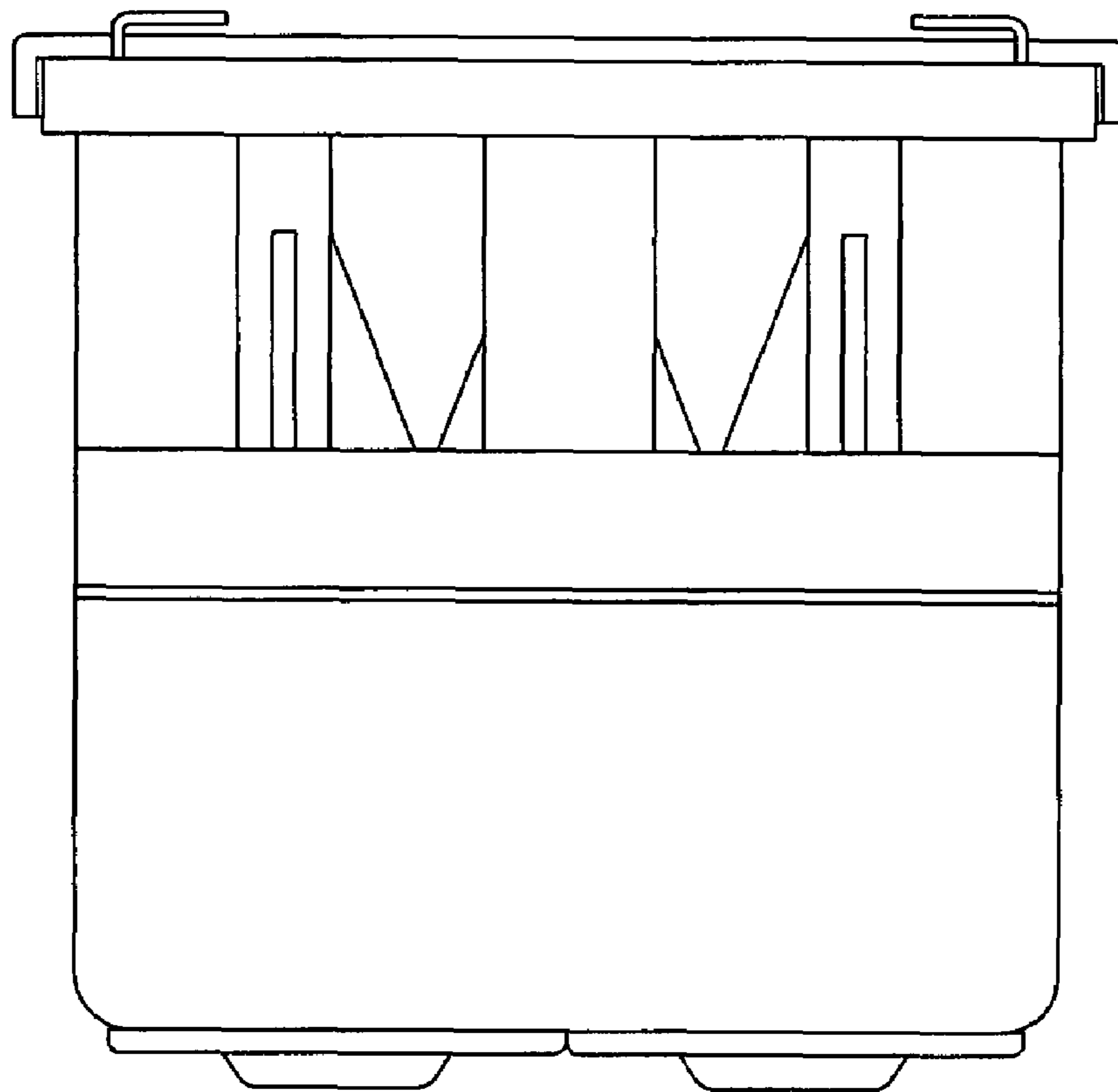


FIG. 7