

US00D581355S

(12) **United States Design Patent Grant**

(10) **Patent No.:** **US D581,355 S**
(45) **Date of Patent:** **** Nov. 25, 2008**

(54) **BATTERY CHARGER**

(75) Inventor: **Kevin Grant**, Edinburgh (GB)

(73) Assignee: **Dyson Limited**, Malmesbury (GB)

(**) Term: **14 Years**

(21) Appl. No.: **29/305,046**

(22) Filed: **Mar. 12, 2008**

(30) **Foreign Application Priority Data**

Sep. 12, 2007 (GB) 4004285

(51) **LOC (8) Cl.** **13-02**

(52) **U.S. Cl.** **D13/107**

(58) **Field of Classification Search** D13/107-110,
D13/118-119, 184; D14/251, 253, 432,
D14/434; 320/107-115

See application file for complete search history.

(56) **References Cited**

U.S. PATENT DOCUMENTS

D219,985 S *	2/1971	Ray	D13/108
D267,795 S *	2/1983	Mallon	D13/119
D292,912 S *	11/1987	Muller et al.	D13/108
D335,861 S *	5/1993	Tattari	D13/108
5,903,132 A *	5/1999	Ohira et al.	320/107
D455,432 S *	4/2002	Freitag et al.	D14/434
6,456,039 B1 *	9/2002	Lauper et al.	320/107
D517,007 S *	3/2006	Yong-Jian et al.	D13/108
D524,315 S *	7/2006	Reusing et al.	D14/434

D543,246 S *	5/2007	Ashida et al.	D21/333
D555,589 S *	11/2007	Hussaini et al.	D13/108
D571,789 S *	6/2008	Tanaka	D14/217
2003/0218445 A1 *	11/2003	Behar	320/114

* cited by examiner

Primary Examiner—Cathron C Brooks

Assistant Examiner—Rosemary K Tarcza

(74) *Attorney, Agent, or Firm*—Morrison & Foerster LLP

(57) **CLAIM**

I claim the ornamental design for a battery charger, as shown and described.

DESCRIPTION

FIG. 1 is a perspective view of a battery charger showing my new design;

FIG. 2 is a top view thereof;

FIG. 3 is a bottom view thereof;

FIG. 4 is a side view thereof;

FIG. 5 is a side view of the opposite side of FIG. 4;

FIG. 6 is a front view thereof;

FIG. 7 is a rear view thereof; and,

FIG. 8 is a perspective view of FIG. 1 showing unclaimed features.

The broken lines shown are included for the purpose of illustrating environmental structure and form no part of the claimed design.

1 Claim, 5 Drawing Sheets

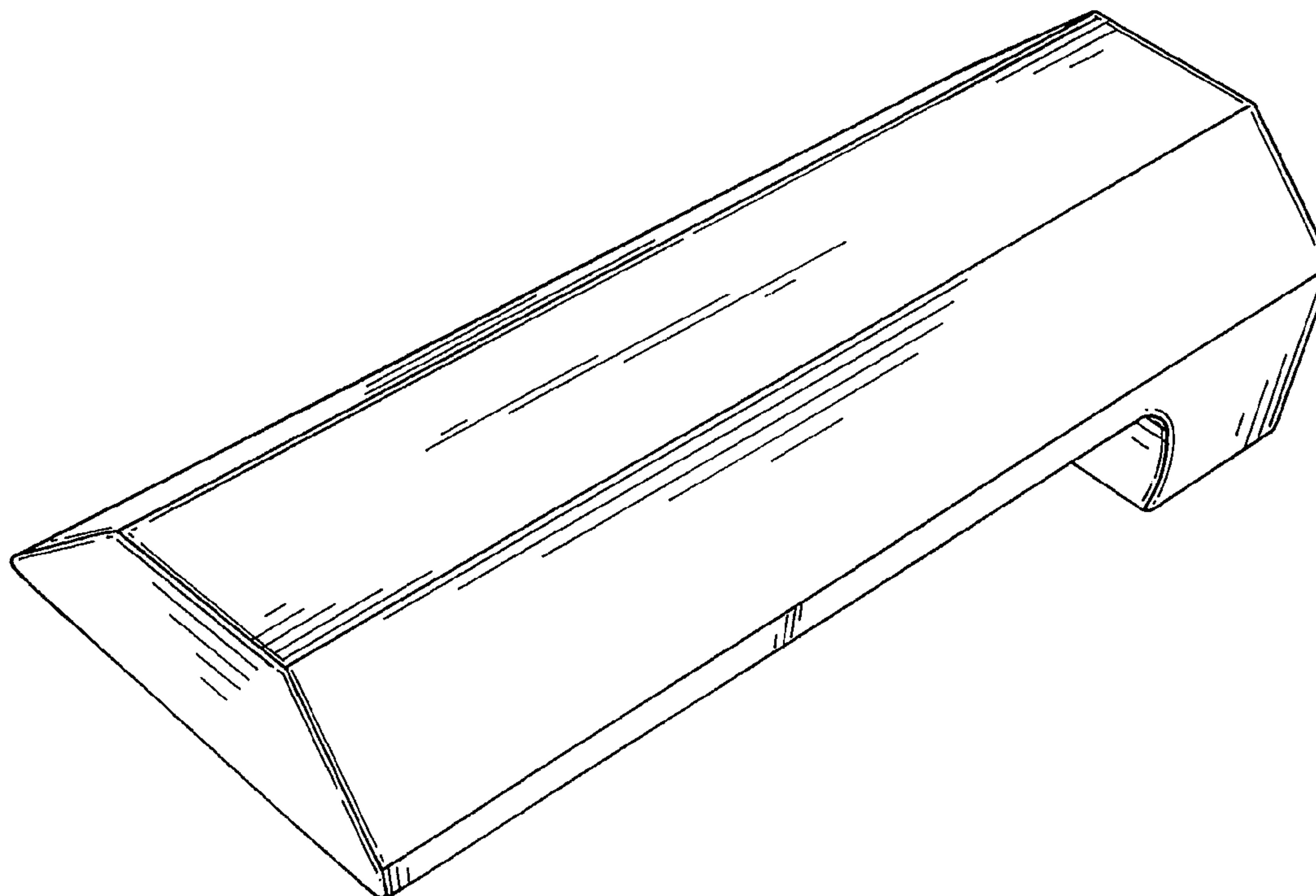


FIG. 1

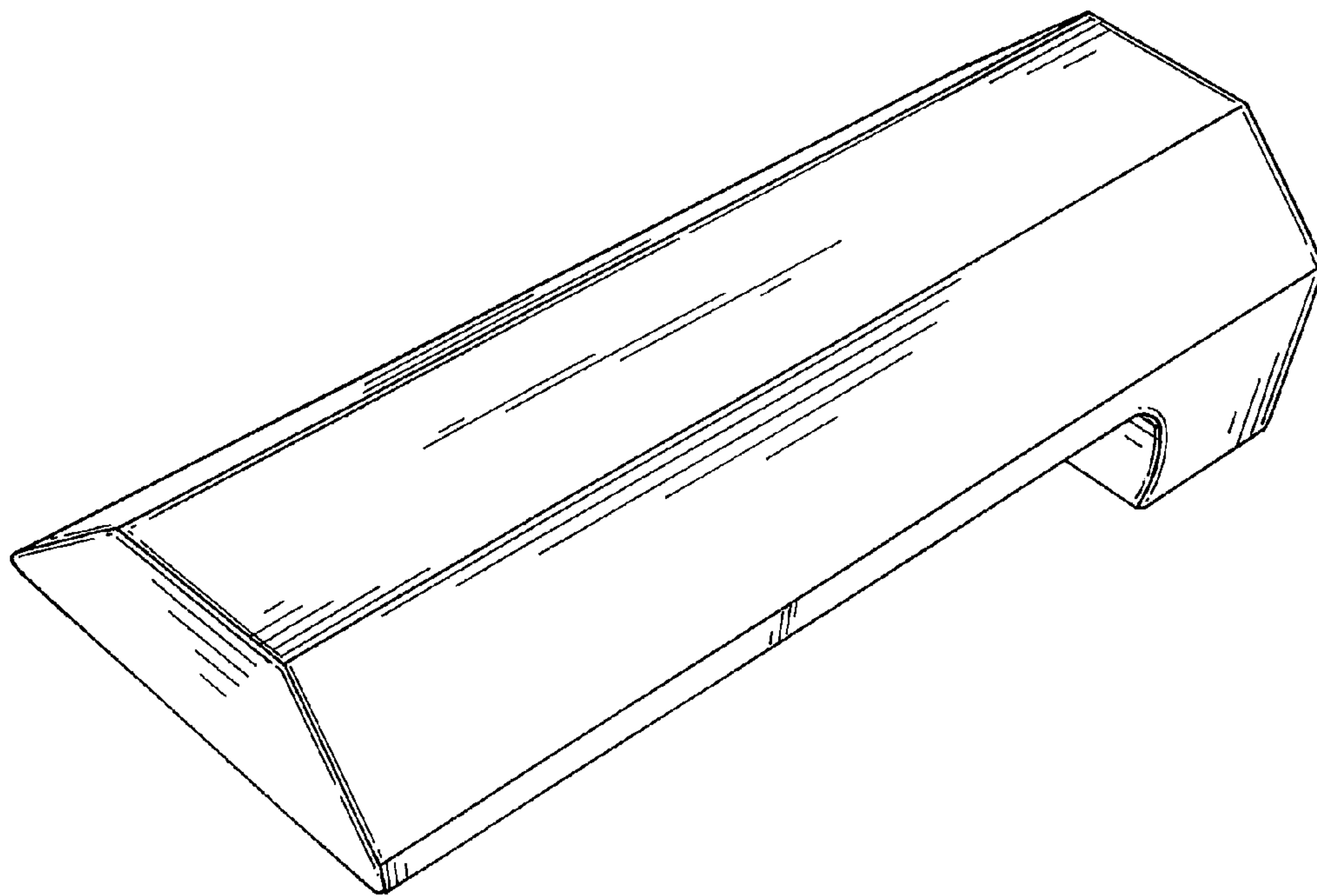


FIG. 2

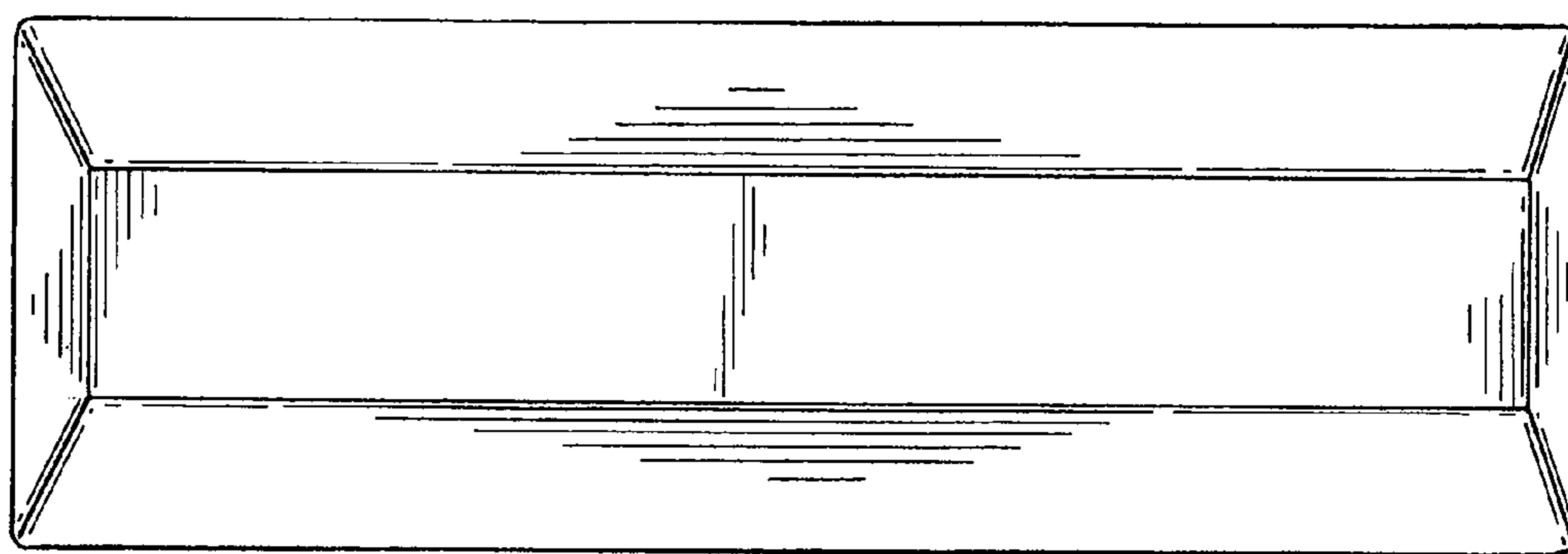


FIG. 3

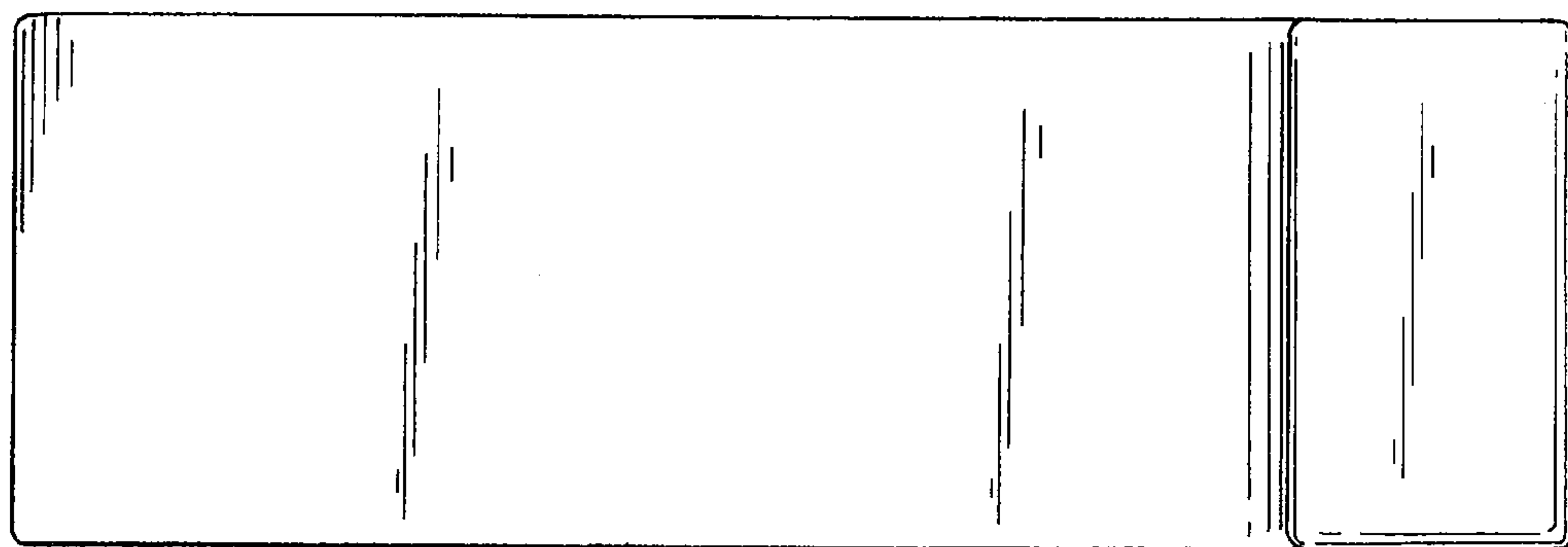


FIG. 4

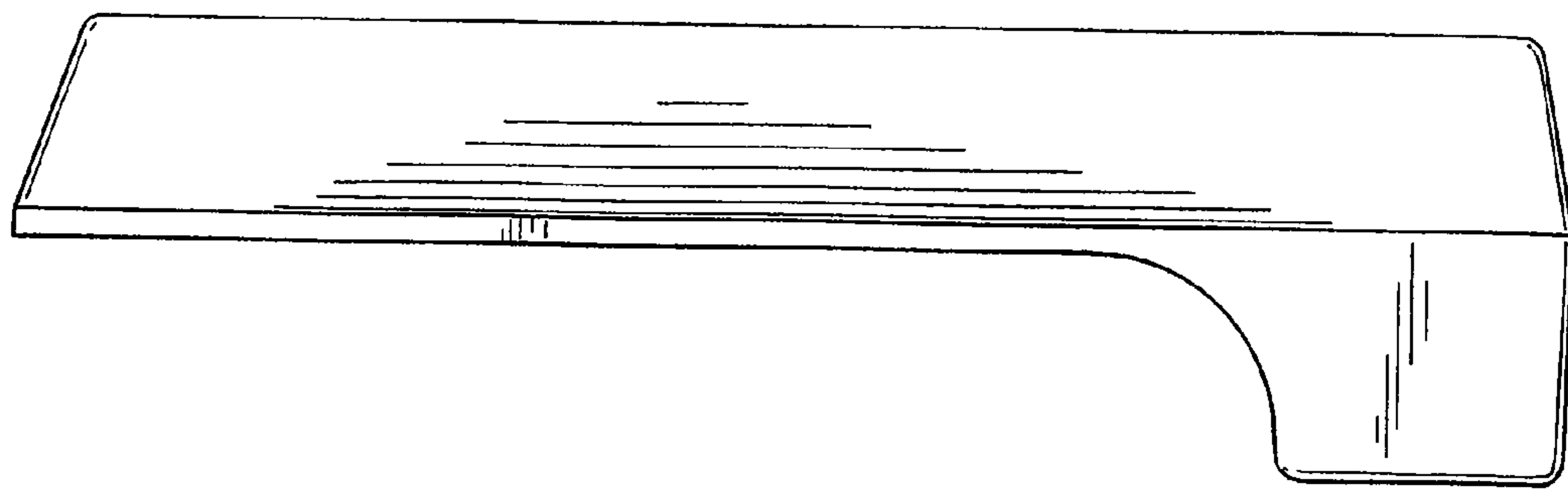


FIG. 5

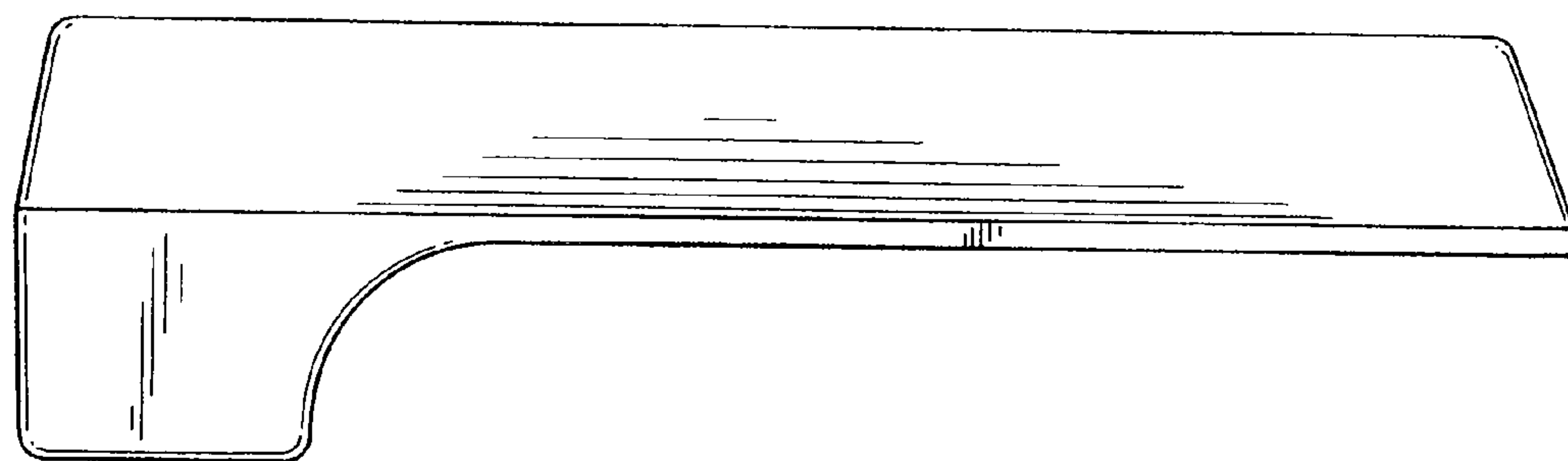


FIG. 6

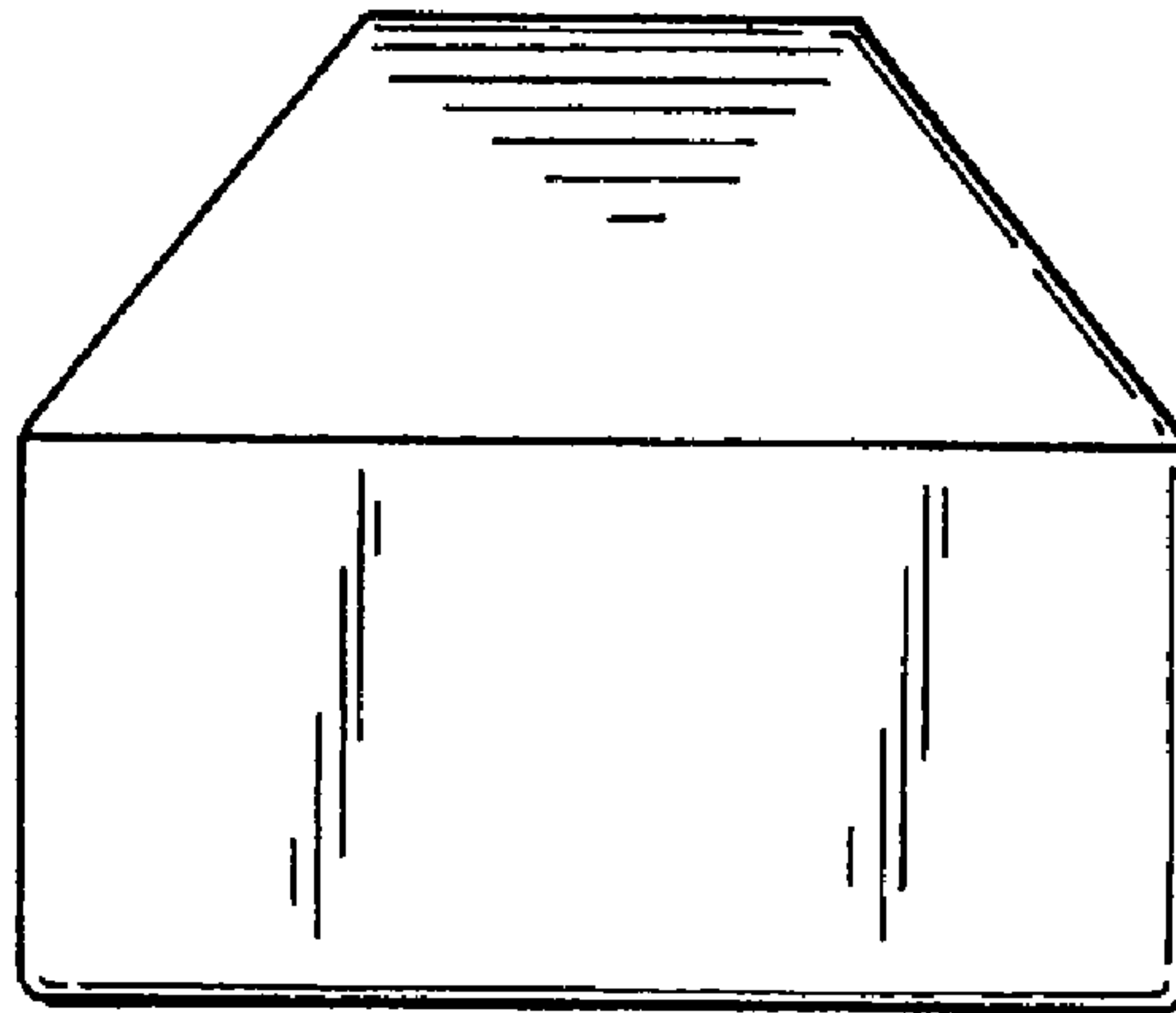


FIG. 7

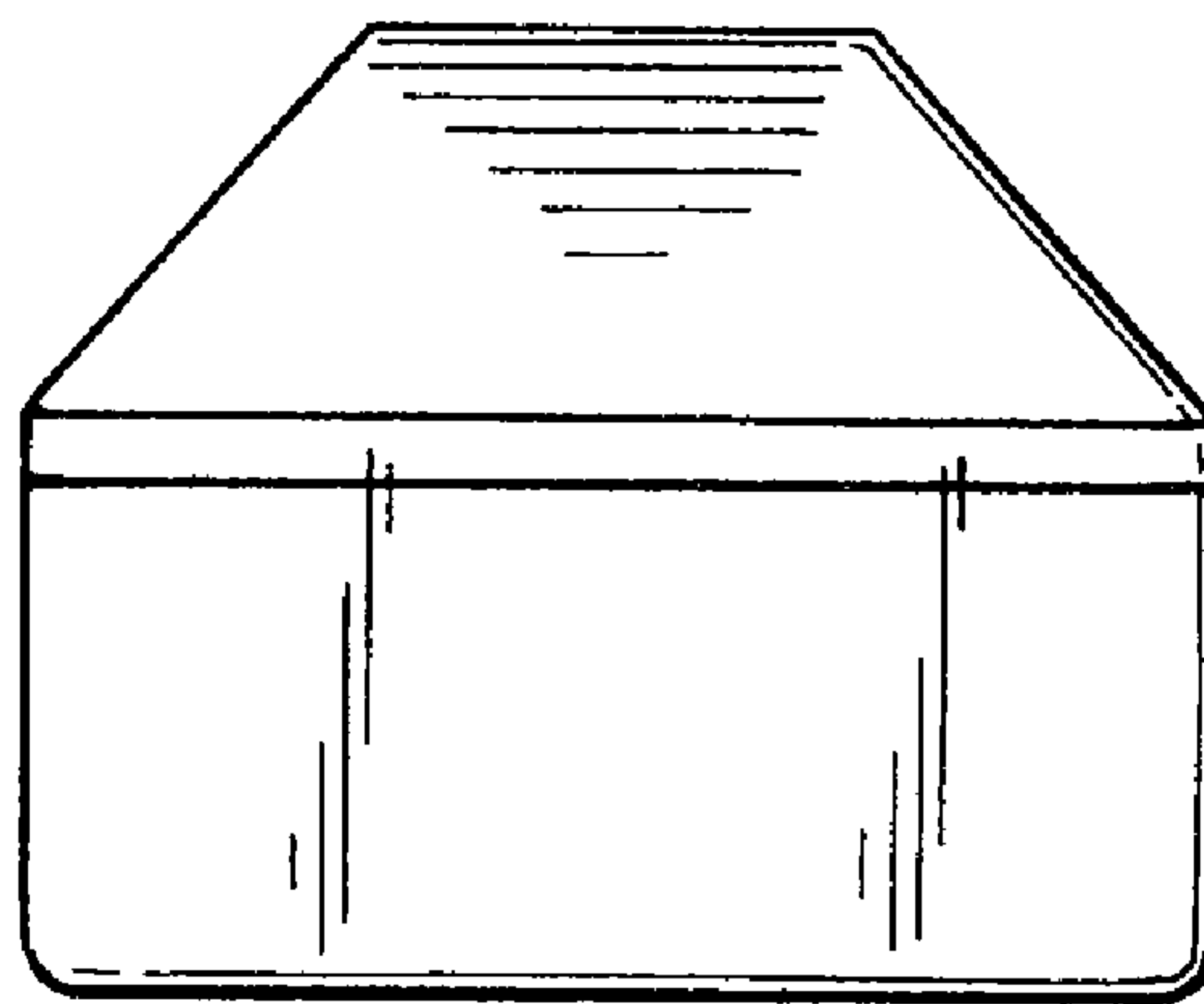


FIG. 8

