



US00D581347S

(12) **United States Design Patent**  
**Feider et al.**

(10) **Patent No.:** **US D581,347 S**

(45) **Date of Patent:** **\*\* Nov. 25, 2008**

(54) **TIRE TREAD**

D545,756 S \* 7/2007 Feider et al. .... D12/521

(75) Inventors: **Georges Gaston Feider**, Bettborn (LU);  
**Audrey Marie Paule Simon**,  
Watermael-Boitsfort (BE);  
**Jean-Francois Cazin-Bourguignon**,  
Audun-le-Tiche (FR); **Pascal Patrick**  
**Steiner**, Diekirch (LU); **Phuoc Thuan**  
**Le**, Attert (BE); **Jobst Meyer-Adlung**,  
Ingeldorf (LU); **Marek Grzegorz**  
**Wojcik**, Bissen (LU)

**OTHER PUBLICATIONS**

Japanese Office Action dated Apr. 16, 2007, citing Japanese Design  
Registration No. 1293655.

\* cited by examiner

*Primary Examiner*—Robert M Spear  
*Assistant Examiner*—George D Kirschbaum  
(74) *Attorney, Agent, or Firm*—Richard B. O’Planick

(73) Assignee: **The Goodyear Tire & Rubber**  
**Company**, Akron, OH (US)

(57) **CLAIM**

The ornamental design for a tire tread, as shown and  
described.

(\*\*) Term: **14 Years**

**DESCRIPTION**

(21) Appl. No.: **29/262,204**

FIG. 1 is a perspective view of a tire tread showing our new  
design, it being understood that the pattern repeats uniformly  
throughout the circumference of the tread;

(22) Filed: **Jun. 28, 2006**

FIG. 2 is a front elevational view thereof;

(51) **LOC (8) Cl.** ..... **12-15**

(52) **U.S. Cl.** ..... **D12/523; D12/517**

(58) **Field of Classification Search** ..... D12/501,  
D12/505–532; 152/209.1, 209.8, 209.9  
See application file for complete search history.

FIG. 3 is a right side elevational view thereof;

FIG. 4 is a left side elevational view thereof; and,

FIG. 5 is an enlarged fragmentary front elevational view  
thereof.

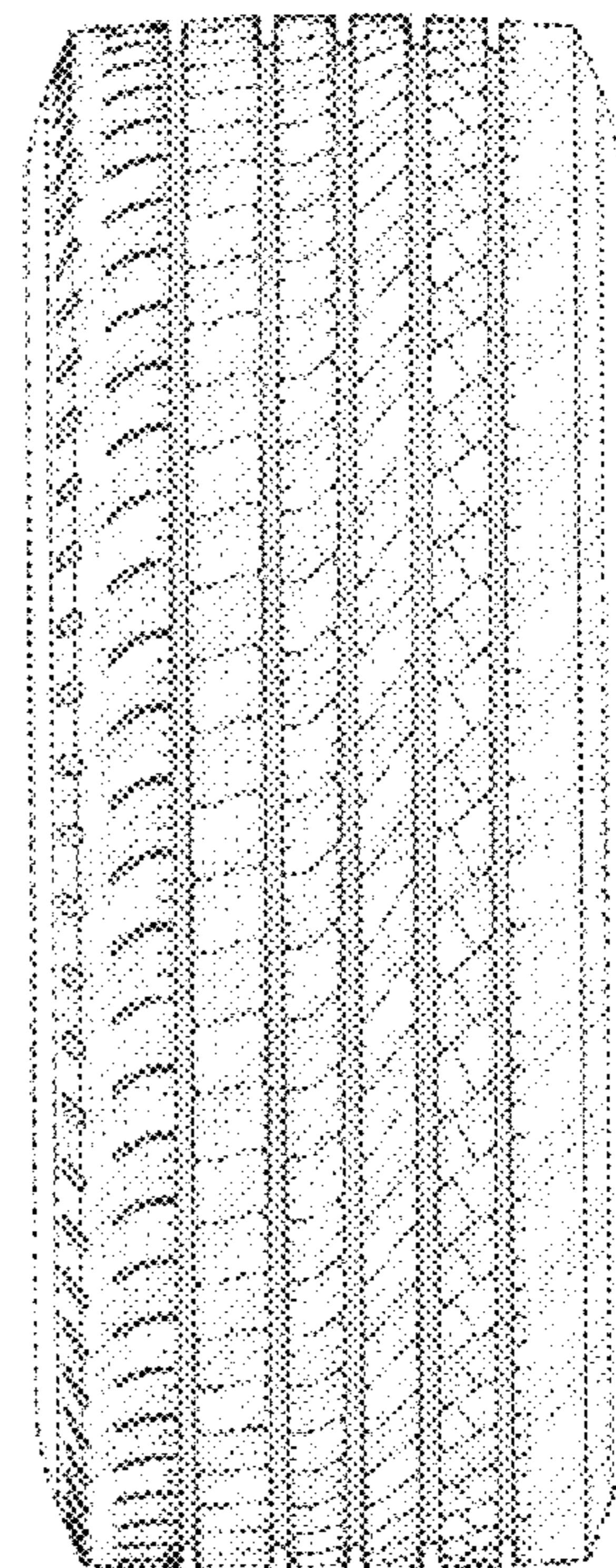
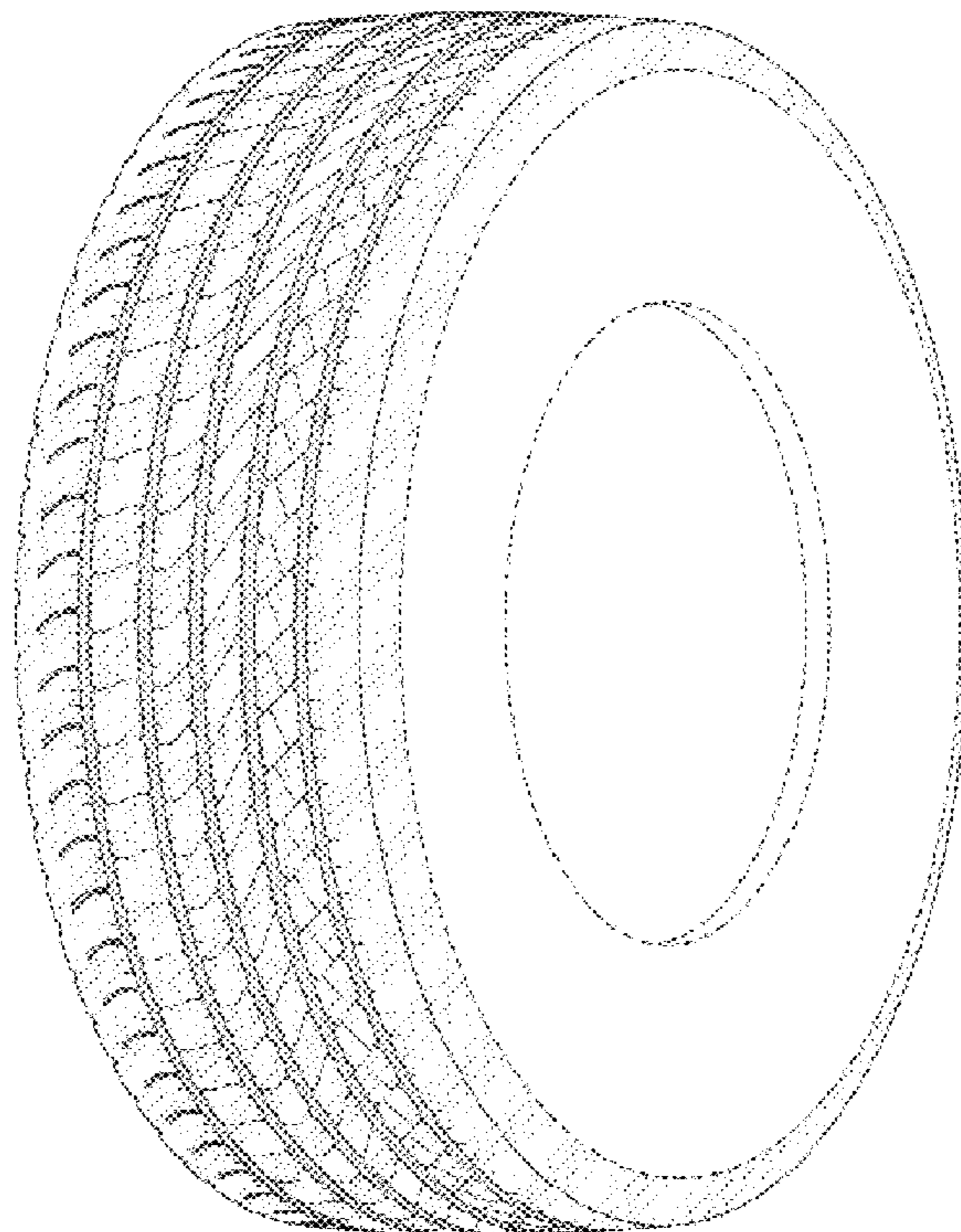
(56) **References Cited**

**U.S. PATENT DOCUMENTS**

D370,439 S	6/1996	Feider et al.	.....	D12/141
D394,034 S	5/1998	Feider et al.	.....	D12/147
D395,626 S	6/1998	Gillard et al.	.....	D12/147
D451,441 S	* 12/2001	Weber	.....	D12/514

In the drawings, the broken lines showing of the sidewall,  
inner bead and peripheral boundary between the tire tread and  
the sidewall depict environmental subject matter and form no  
part of the claim.

**1 Claim, 5 Drawing Sheets**



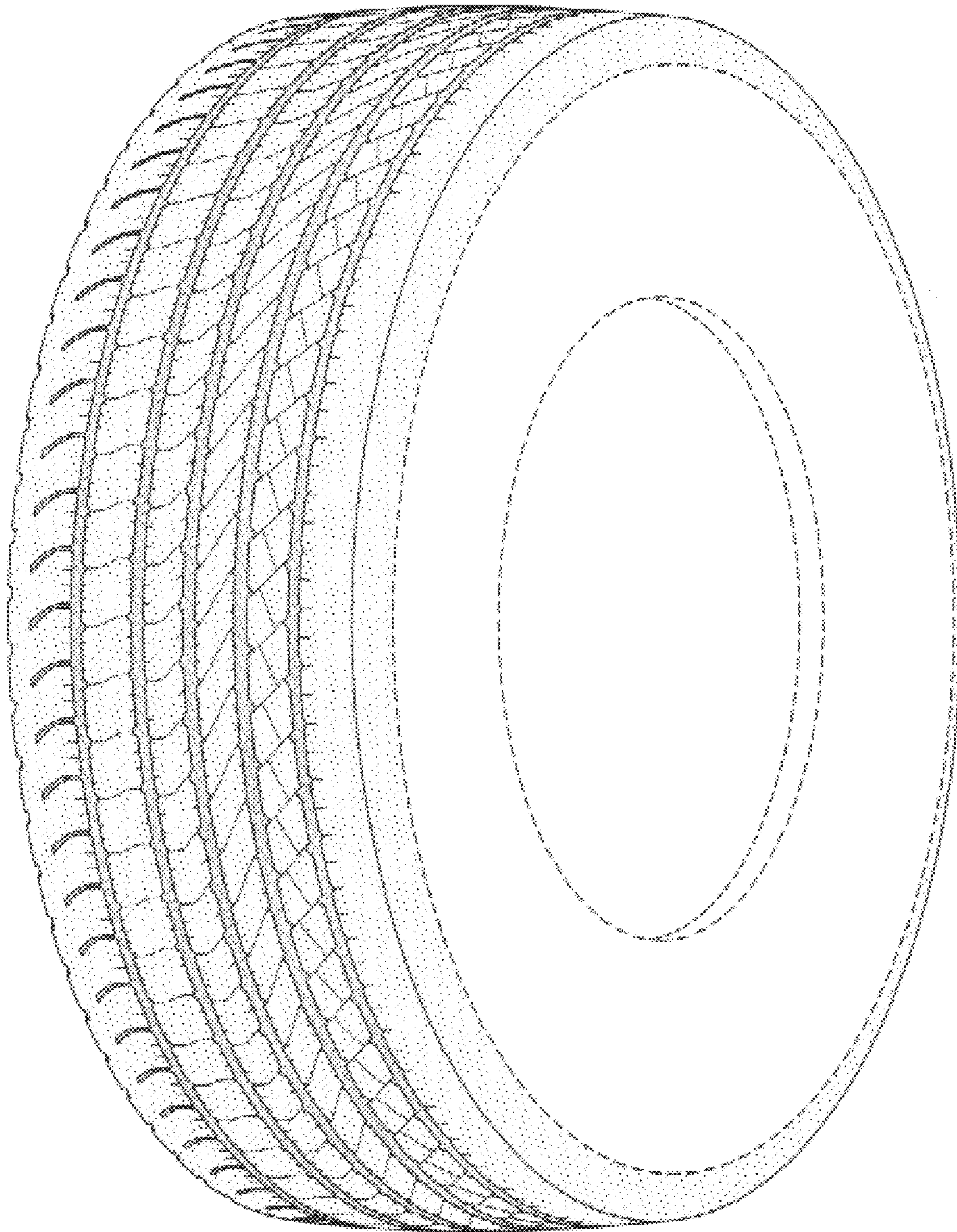


FIG-1

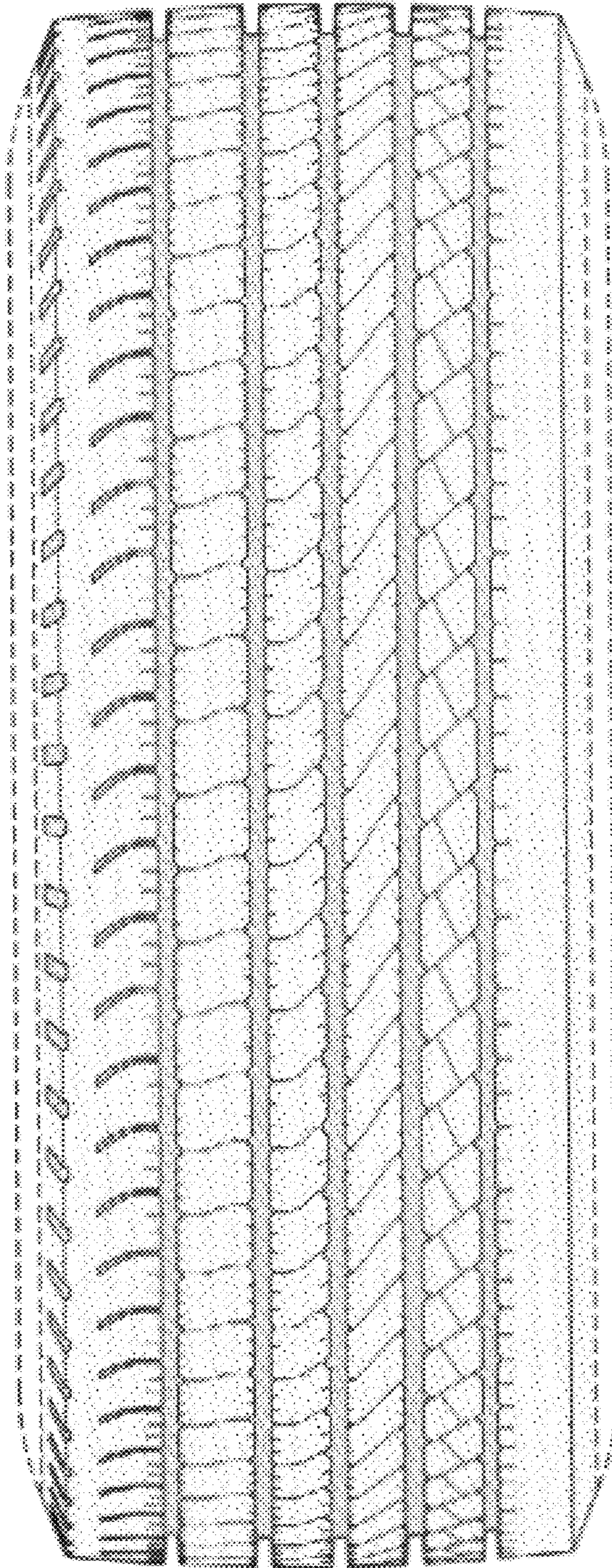


FIG-2

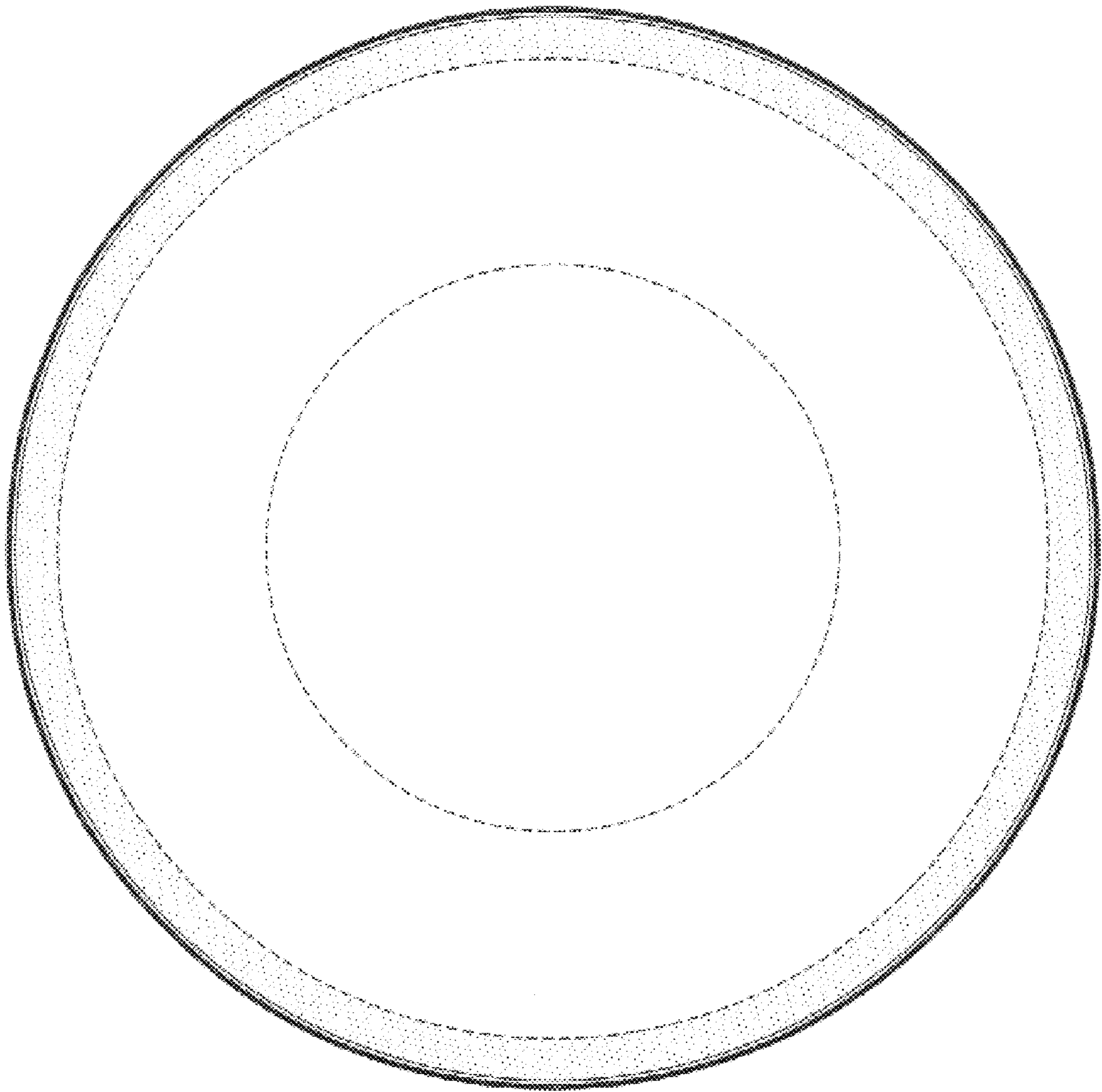


FIG-3

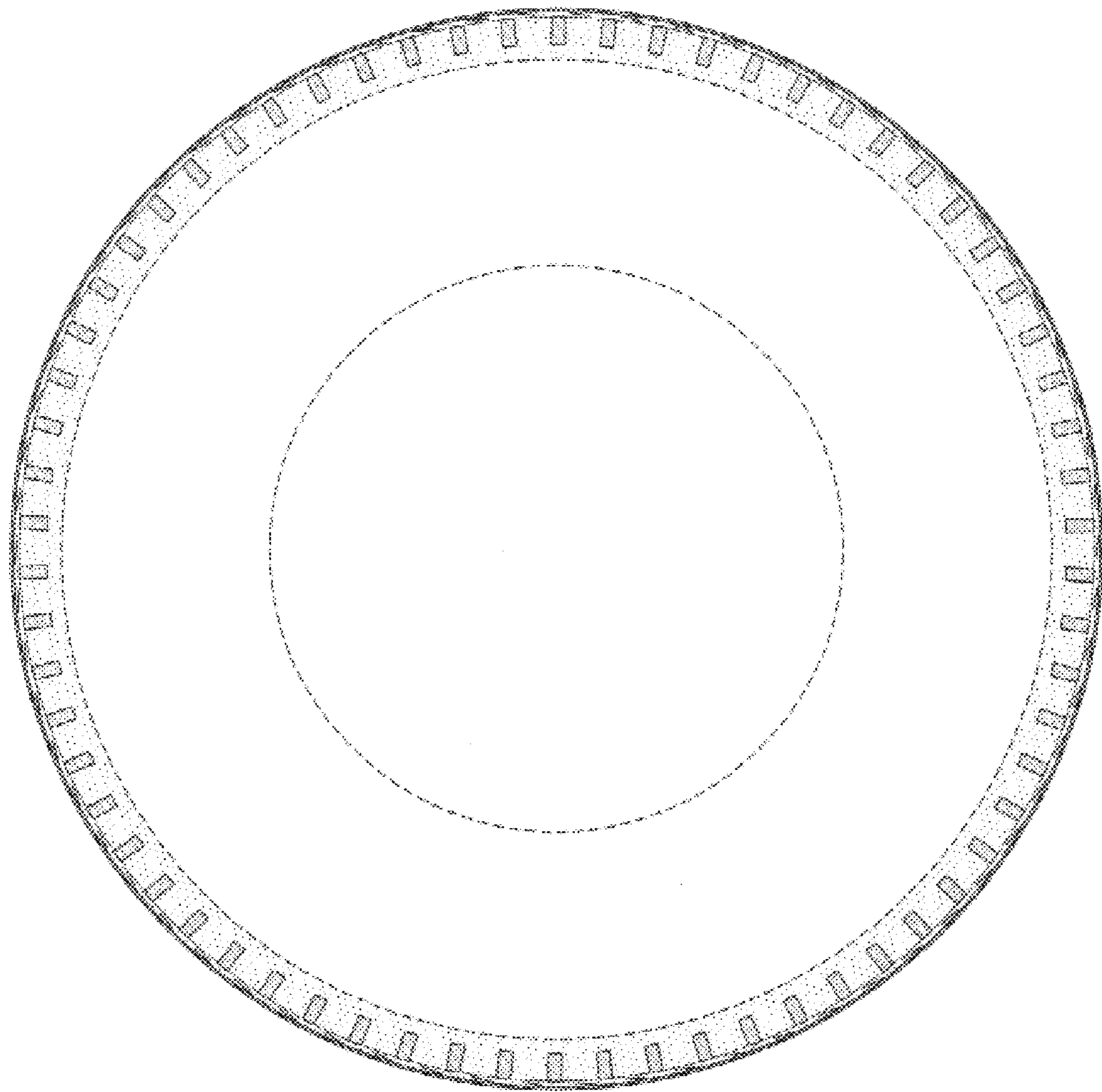


FIG-4

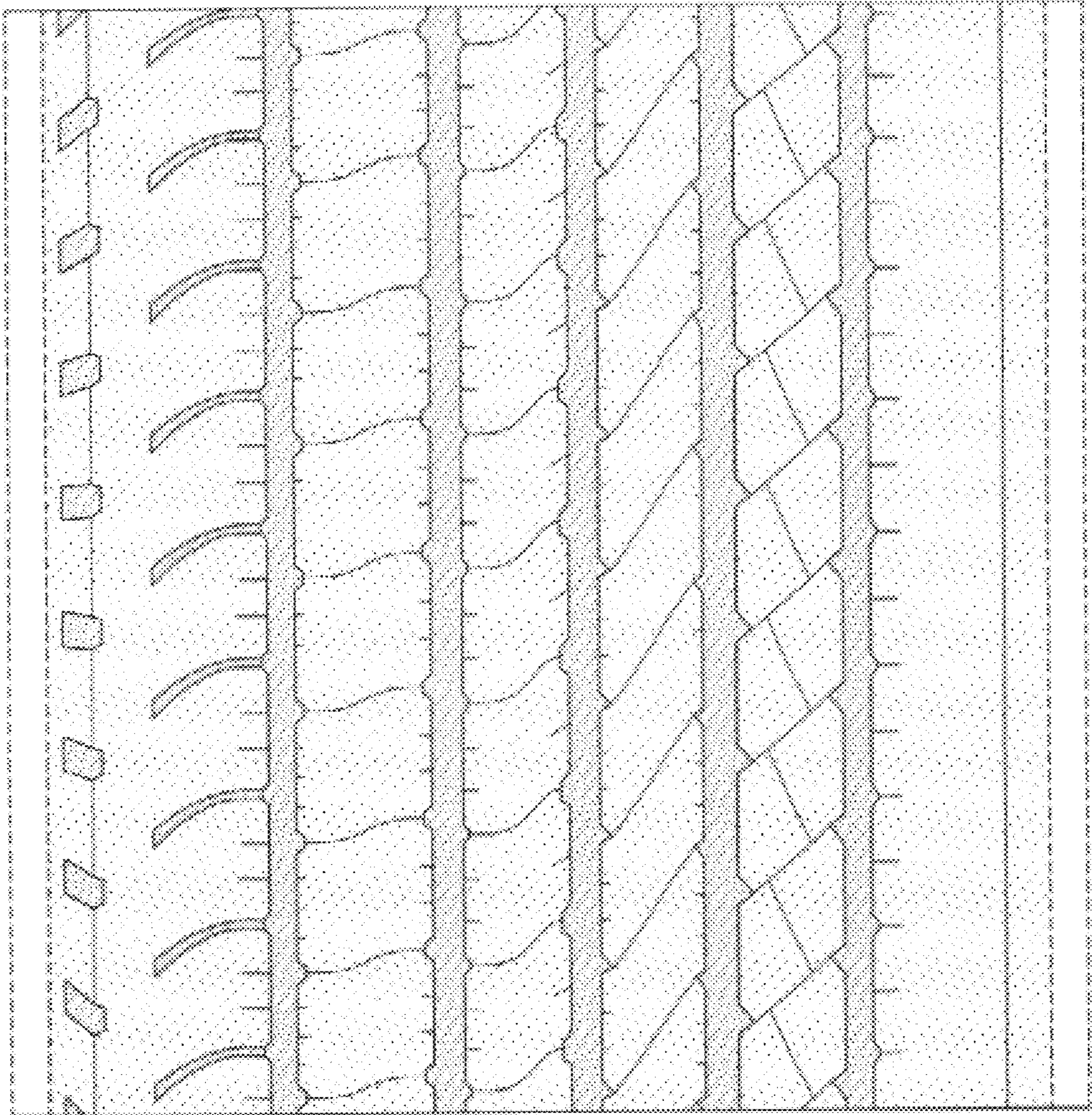


FIG-5