



US00D581345S

(12) **United States Design Patent**
Lee et al.

(10) **Patent No.:** **US D581,345 S**
(45) **Date of Patent:** **** Nov. 25, 2008**

(54) **AUTOMOBILE TIRE**

(75) Inventors: **Jae moon Lee**, Busan-si (KR); **Seung il Choi**, Yangsan-si (KR)

(73) Assignee: **Nexen Tire Co., Ltd.**,
Gyeongsangnam-do (KR)

(**) Term: **14 Years**

(21) Appl. No.: **29/262,272**

(22) Filed: **Jun. 29, 2006**

(30) **Foreign Application Priority Data**

Dec. 29, 2005 (KR) 30-2005-0044683

(51) **LOC (8) Cl.** **12-15**

(52) **U.S. Cl.** **D12/517; D12/509**

(58) **Field of Classification Search** D12/501,
D12/505-532; 152/209.1, 209.8, 209.9
See application file for complete search history.

(56) **References Cited**

U.S. PATENT DOCUMENTS

D481,004 S * 10/2003 O D12/518
D551,156 S * 9/2007 Shinohara et al. D12/521
D558,125 S * 12/2007 Miyabe et al. D12/518
D562,757 S * 2/2008 Iwai D12/519

* cited by examiner

Primary Examiner—Robert M. Spear
Assistant Examiner—George D Kirschbaum
(74) *Attorney, Agent, or Firm*—Hoffmann & Baron, LLP

(57) **CLAIM**

The ornamental design for an automobile tire, as shown and described.

DESCRIPTION

FIG. 1 is a perspective view of a tire for automobile showing the new design;

FIG. 2 is a front view of the automobile tire shown in FIG. 1, it being understood that the pattern repeats uniformly throughout the circumference of the tire;

FIG. 3 is a rear view of the automobile tire shown in FIG. 1;

FIG. 4 is a left side view of the automobile tire shown in FIG. 1;

FIG. 5 is a right side view of the automobile tire shown in FIG. 1;

FIG. 6 is an enlarged view showing a portion of the automobile tire shown in FIG. 2; and,

FIG. 7 is a cross sectional view of the automobile tire, taken along line 7—7 in FIG. 6.

1 Claim, 6 Drawing Sheets

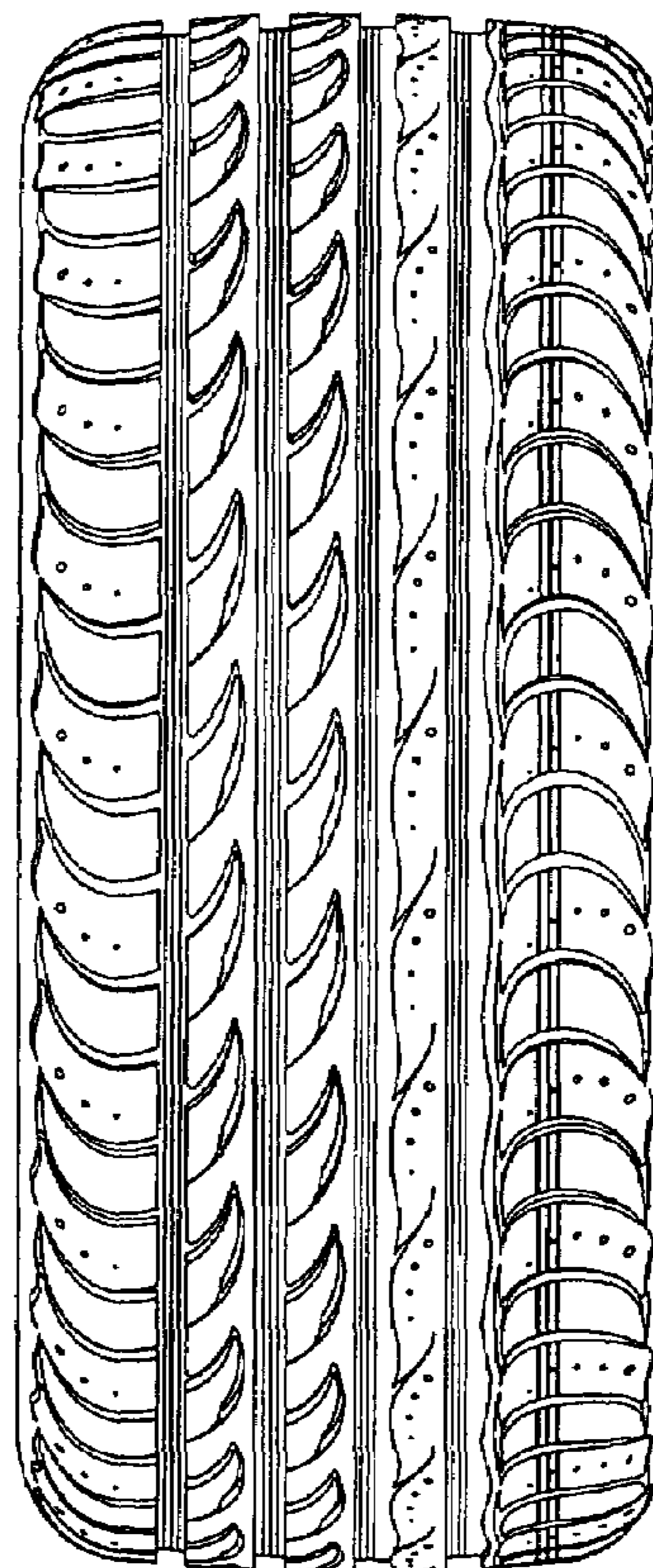
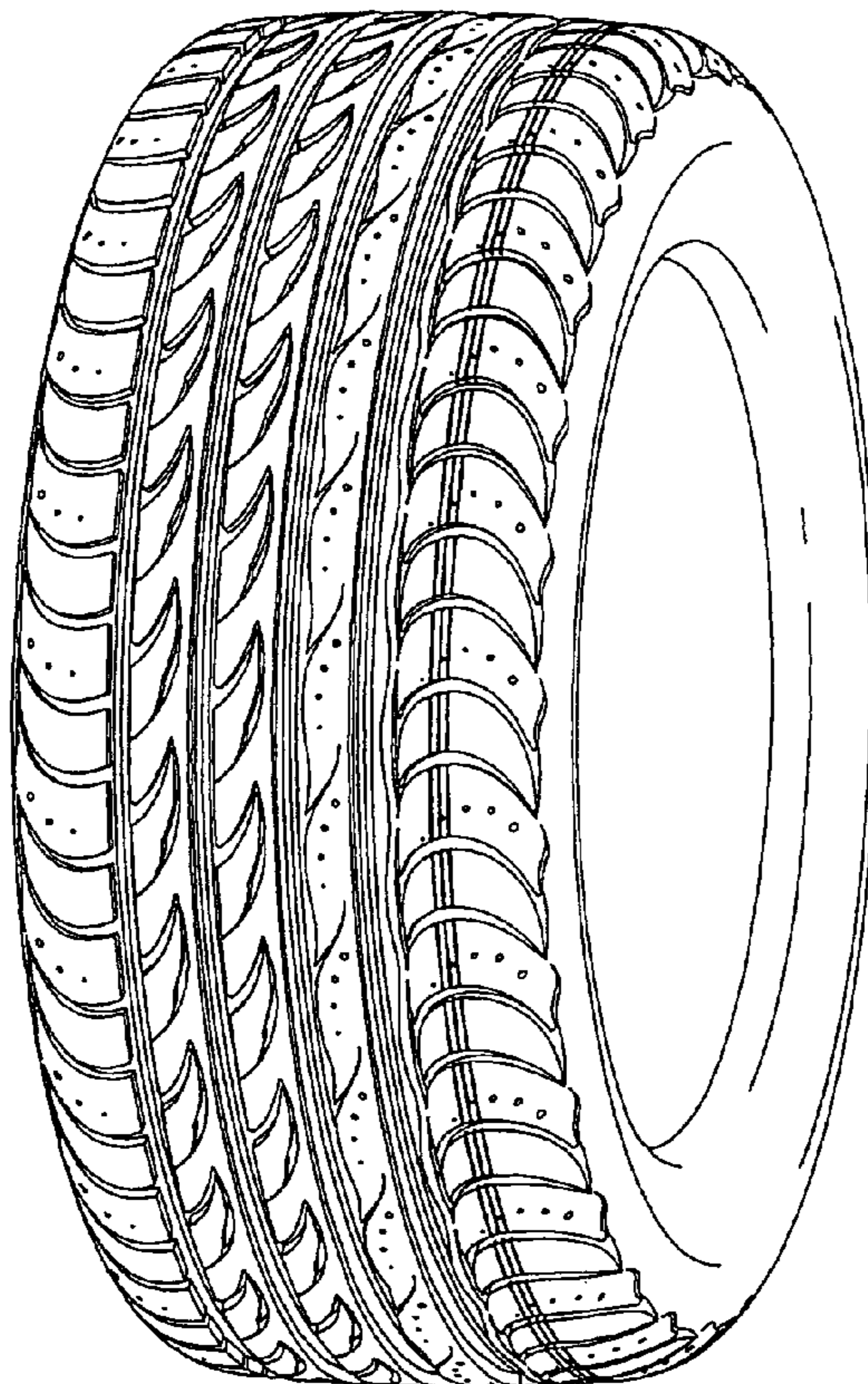


FIG. 1

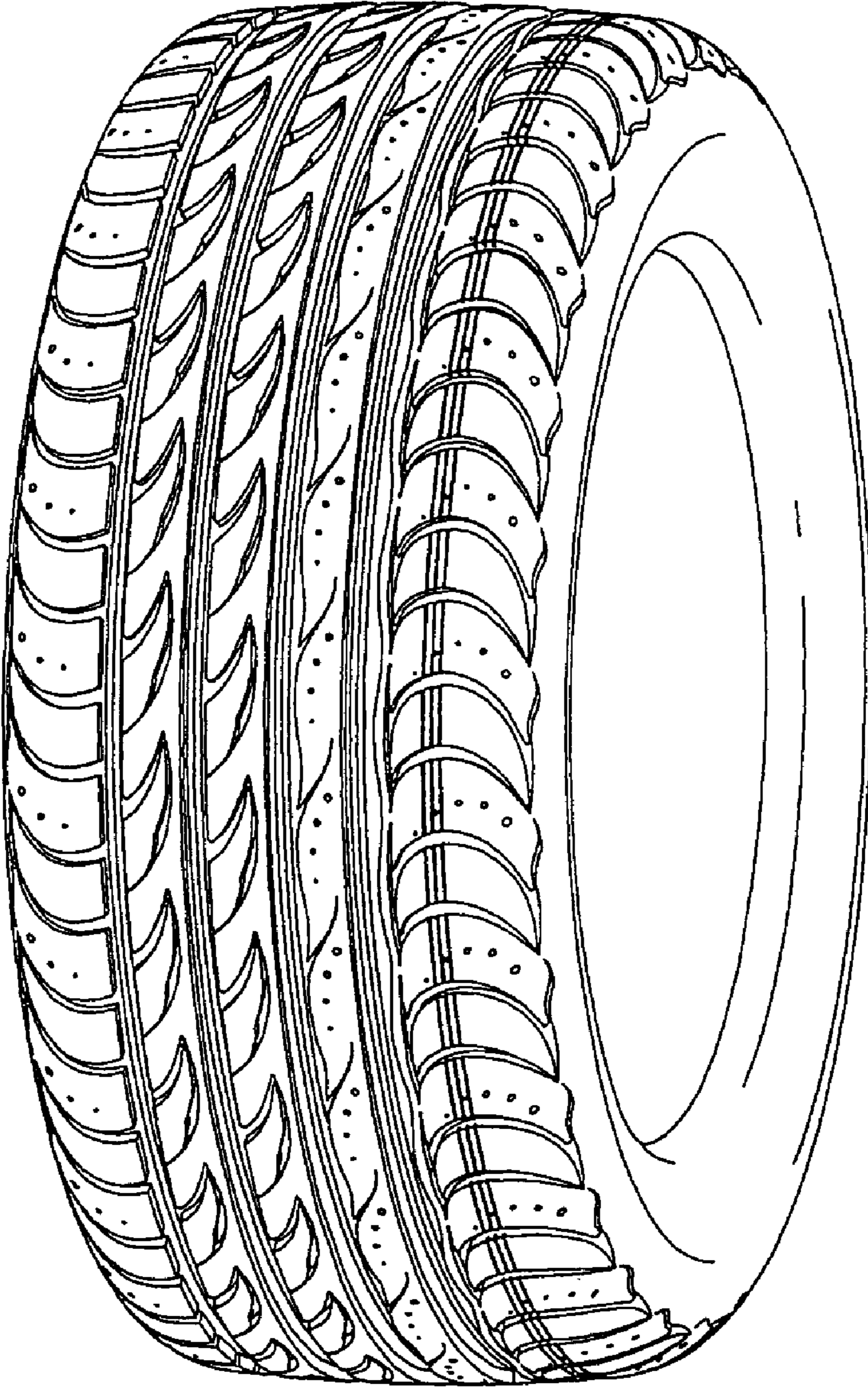


FIG. 2

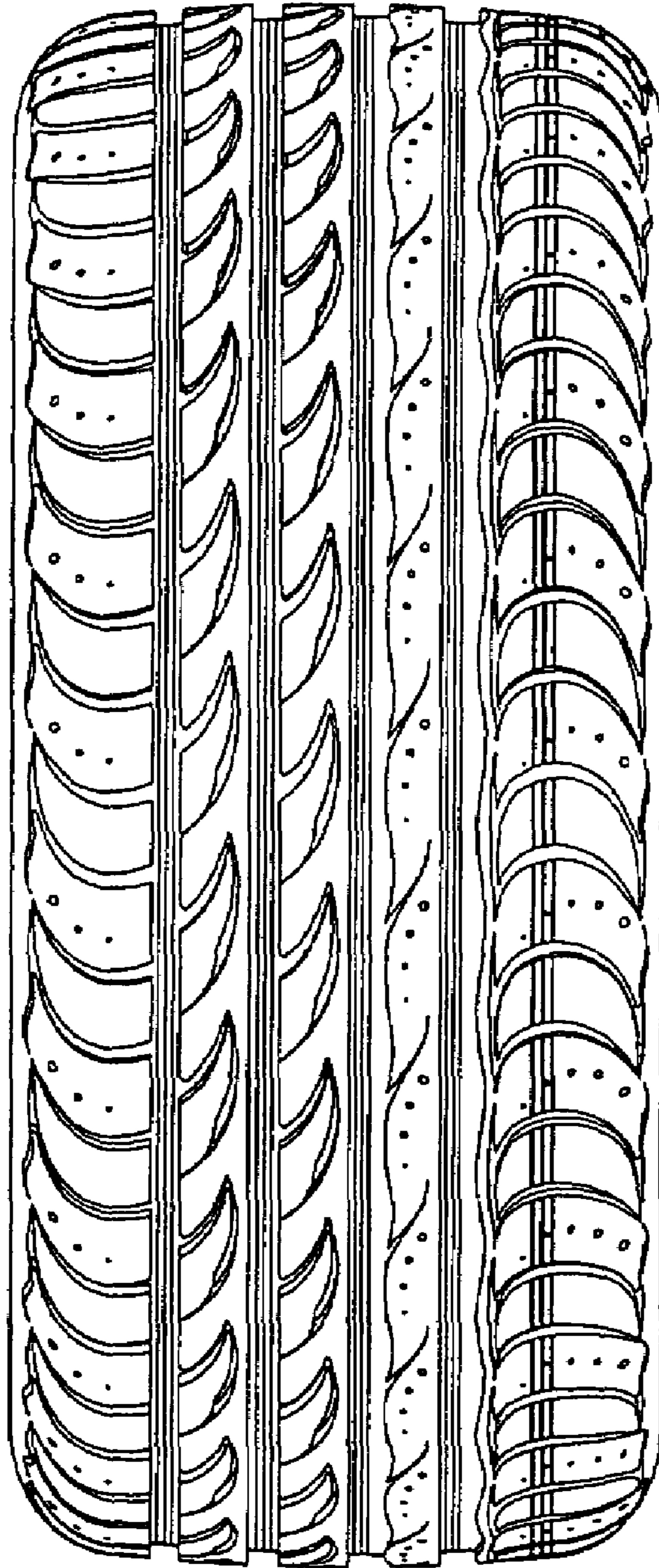


FIG. 3

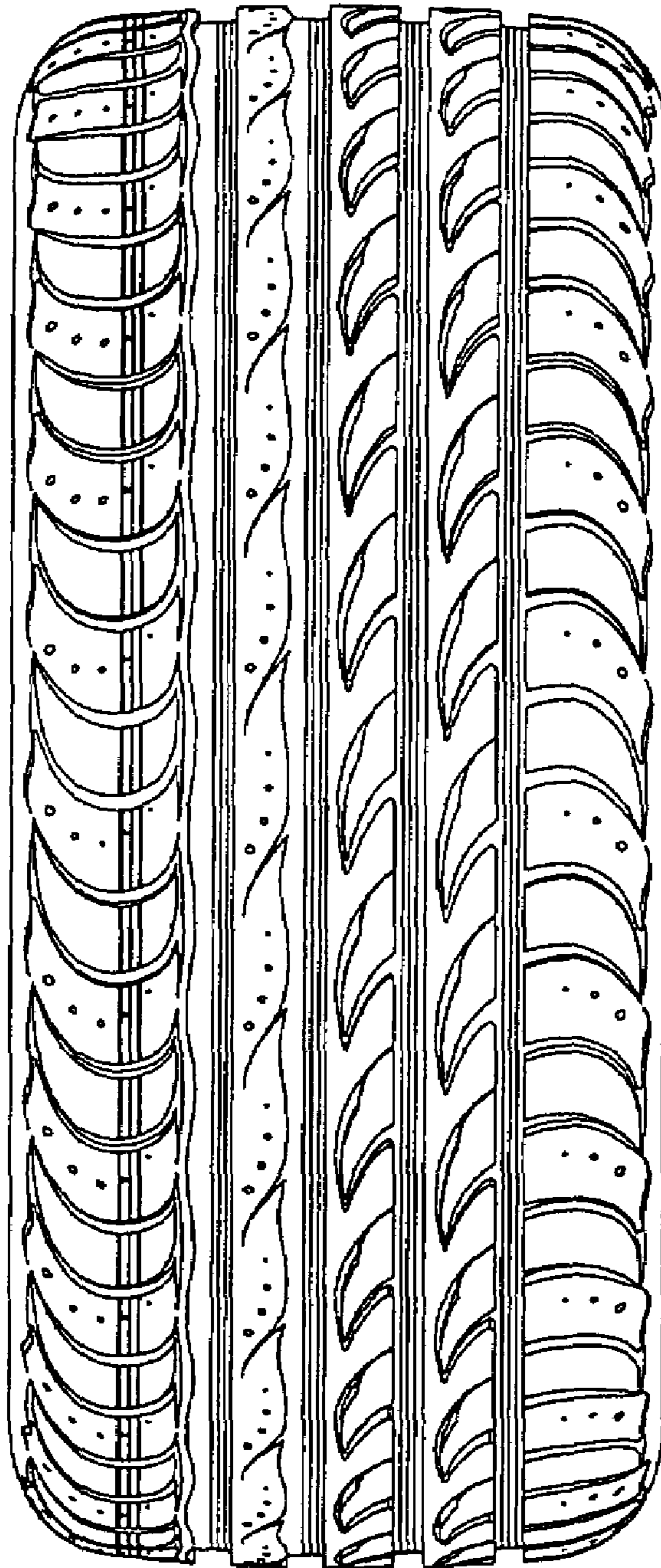


FIG. 4

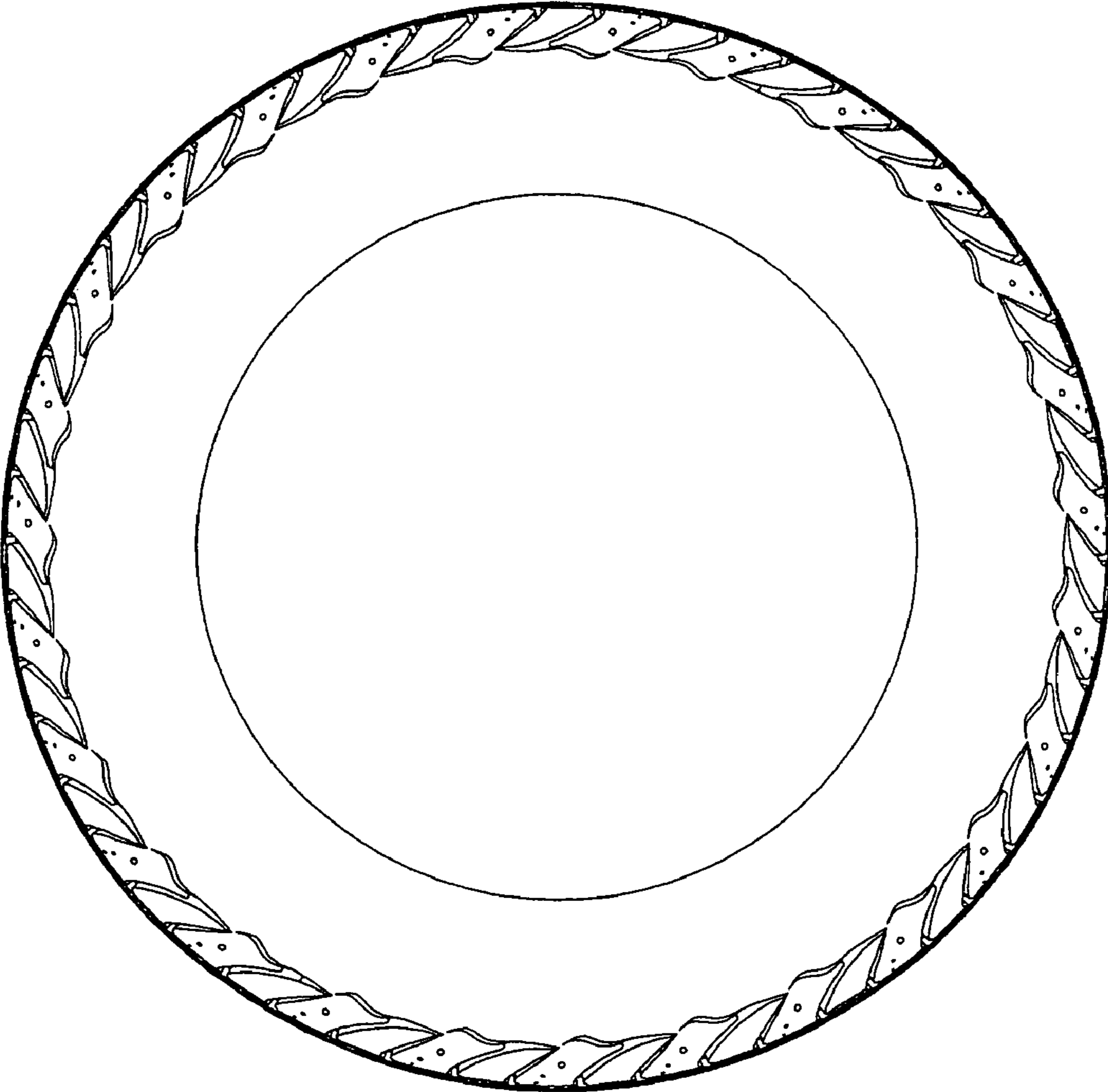


FIG. 5

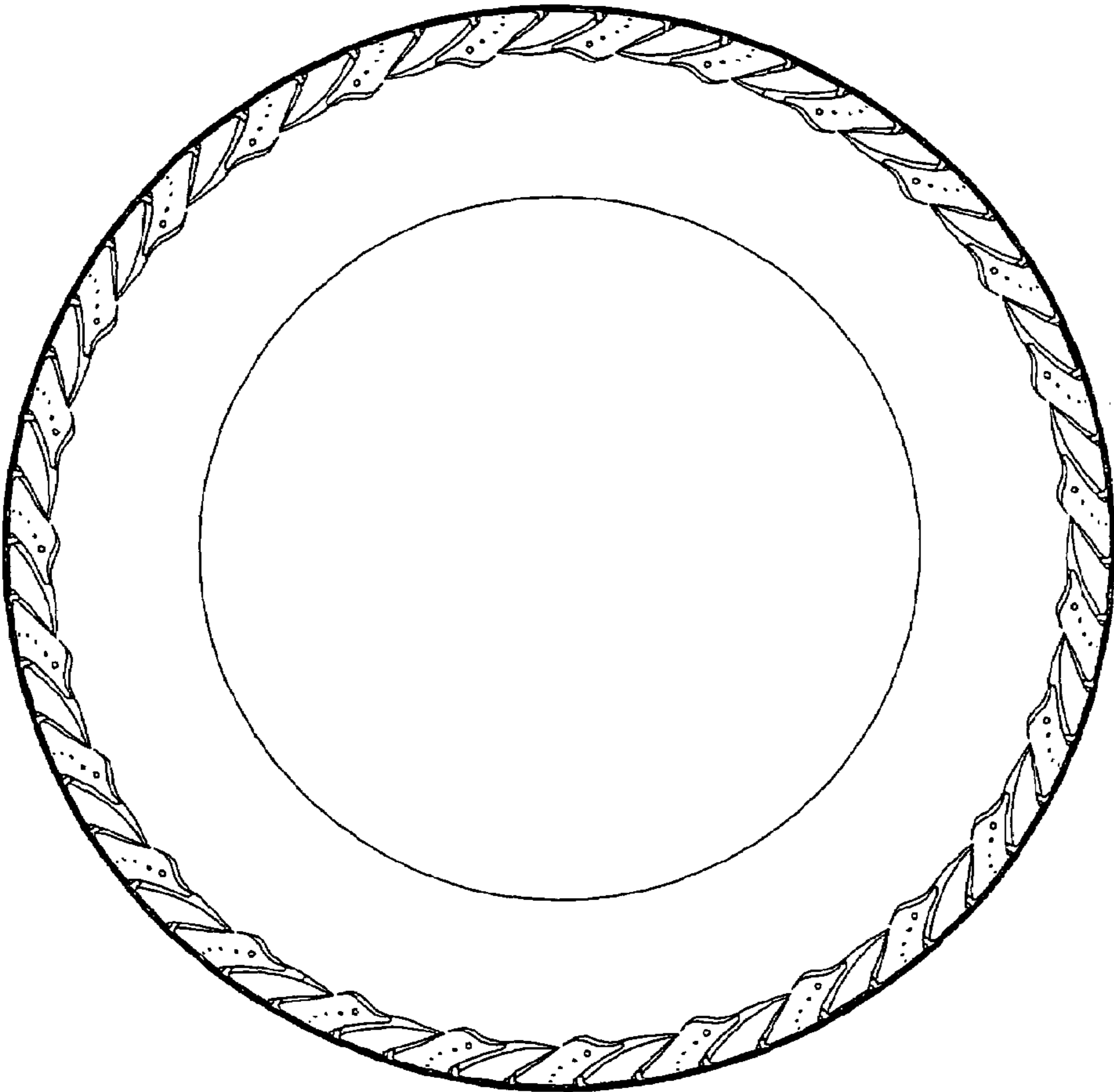


FIG. 6

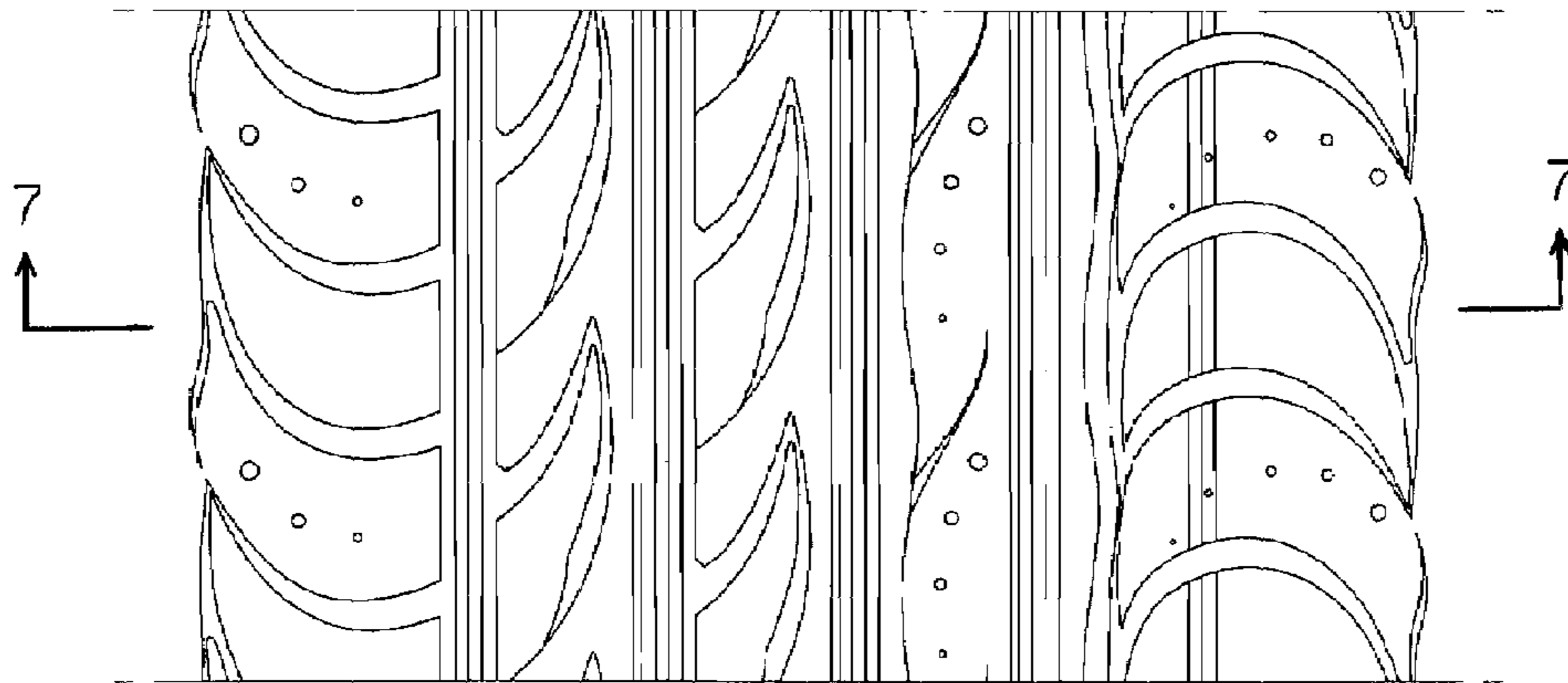


FIG. 7

