



US00D581344S

(12) **United States Design Patent**
Richter

(10) **Patent No.:** **US D581,344 S**

(45) **Date of Patent:** **** Nov. 25, 2008**

(54) **INSTRUMENT HOLDER**

(76) Inventor: **Harald Richter**, Höhenstrasse 32, 75331 Engelbrand (DE)

(**) Term: **14 Years**

(21) Appl. No.: **29/207,837**

(22) Filed: **Jun. 21, 2004**

(51) **LOC (8) Cl.** **12-16**

(52) **U.S. Cl.** **D12/415**

(58) **Field of Classification Search** D12/415, D12/253; D8/380; D14/253; 389/455; D6/467
See application file for complete search history.

(56) **References Cited**

U.S. PATENT DOCUMENTS

- D478,741 S * 8/2003 White D6/467
- D546,823 S * 7/2007 Dayan D14/253
- D560,116 S * 1/2008 Brassard D8/380

2004/0086112 A1* 5/2004 Hilger et al. 379/455

* cited by examiner

Primary Examiner—Robert M. Spear
Assistant Examiner—George D Kirschbaum
(74) *Attorney, Agent, or Firm*—Klaus J. Bach

(57) **CLAIM**

The ornamental design for an instrument holder, as shown and described.

DESCRIPTION

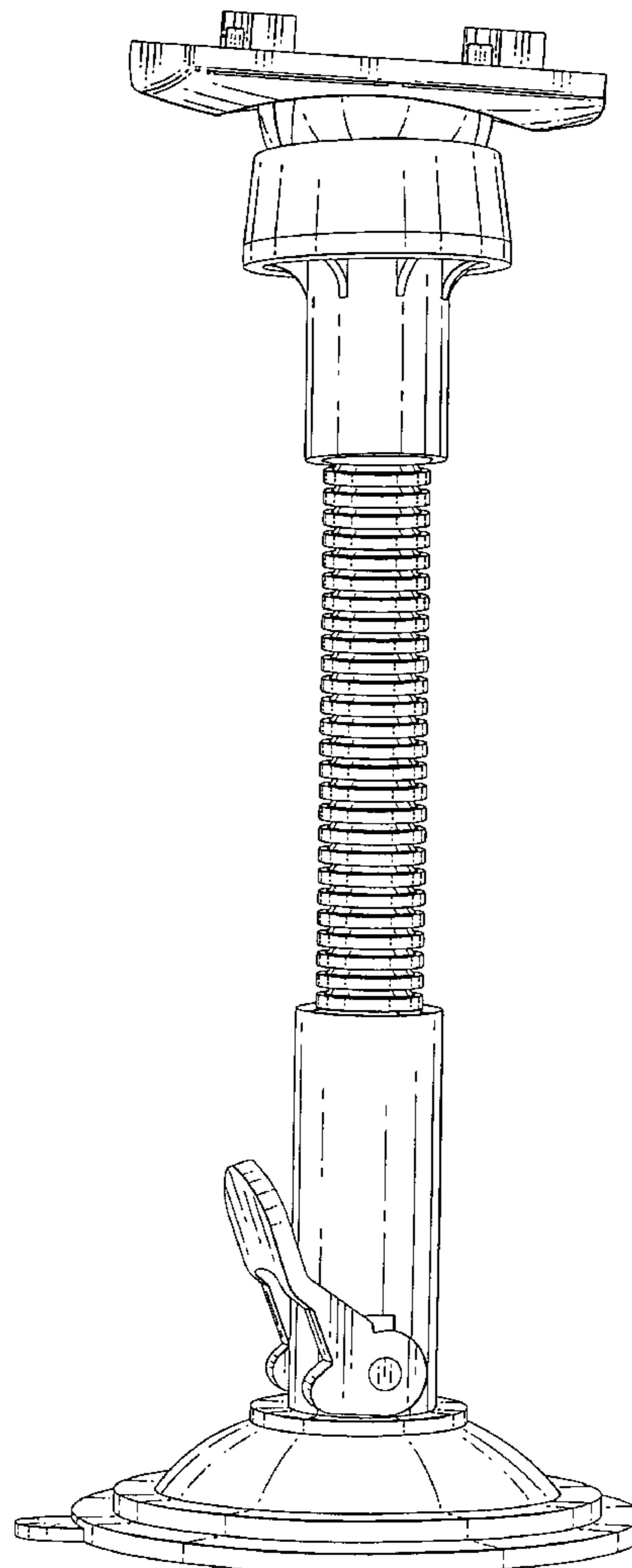
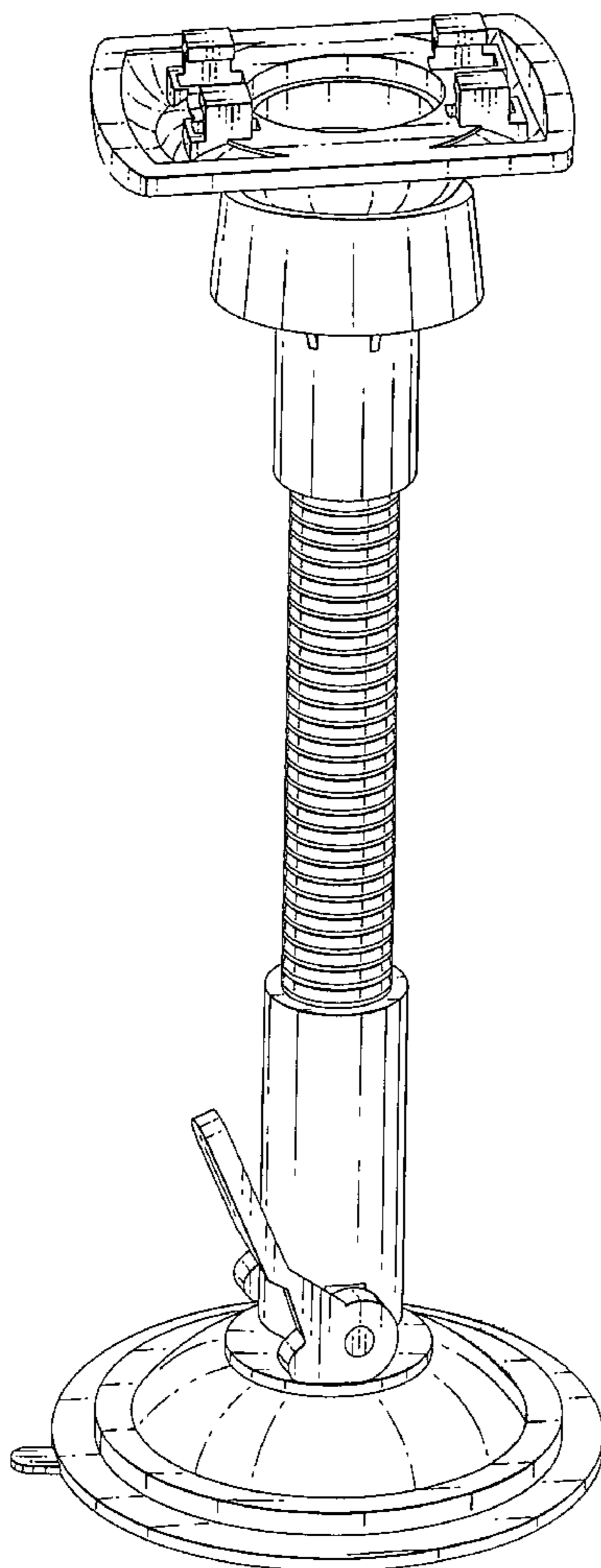
FIG. 1 is a perspective view of an instrument holder showing my new design;

FIG. 2 is a front view, the rear view being a mirror image thereof; and,

FIG. 3 is a top view thereof.

The broken lines depict unclaimed environmental subject matter.

1 Claim, 3 Drawing Sheets



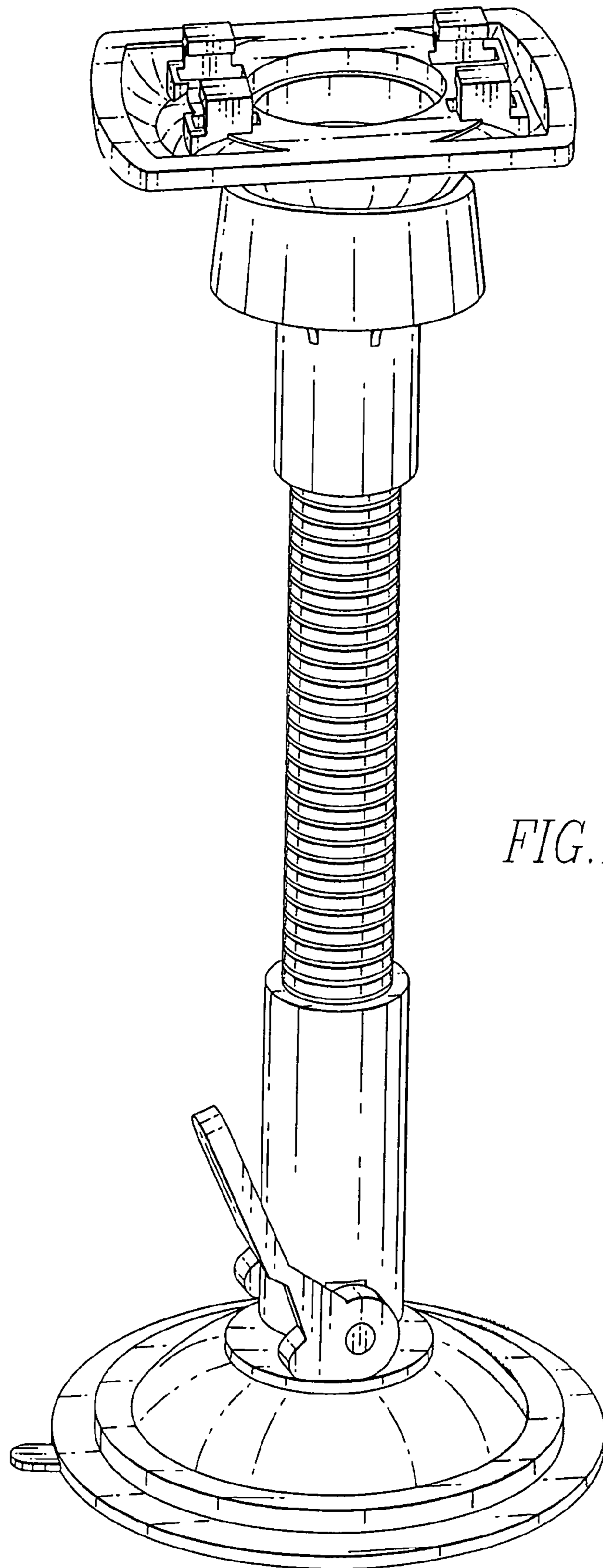


FIG. 1

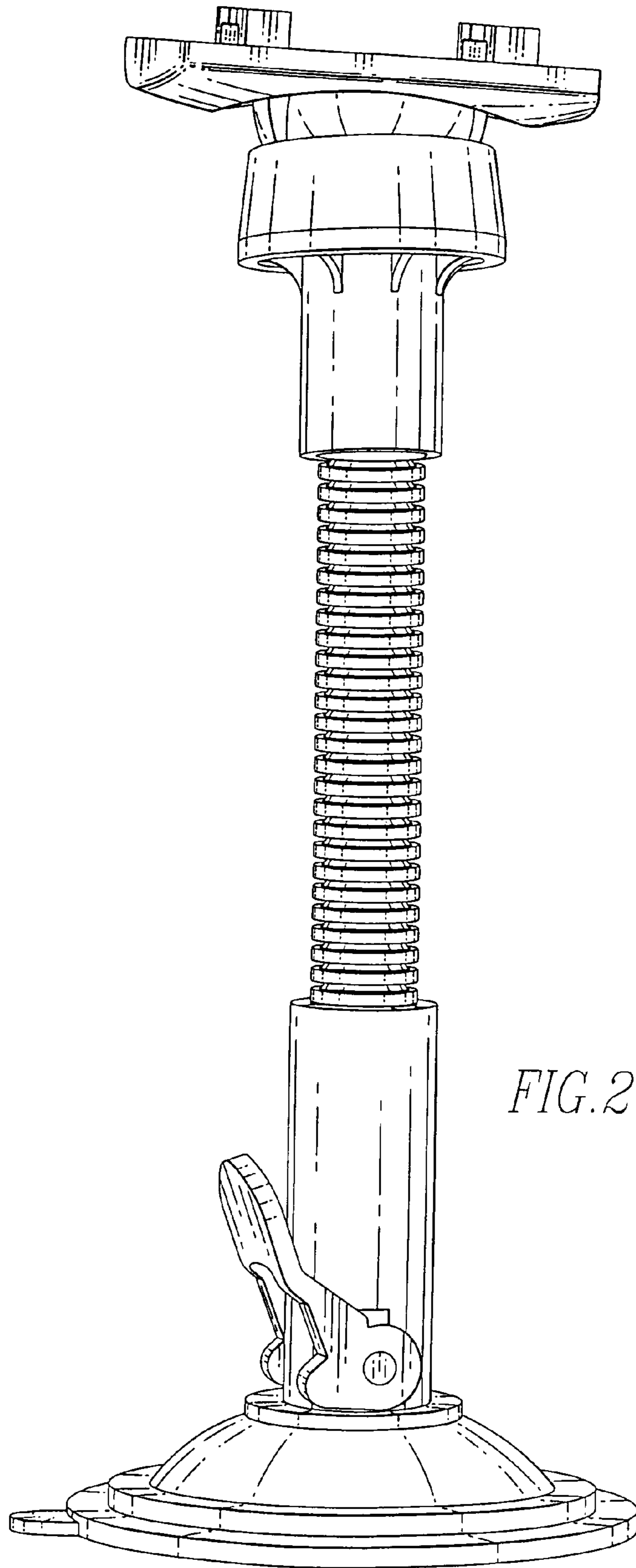


FIG. 2

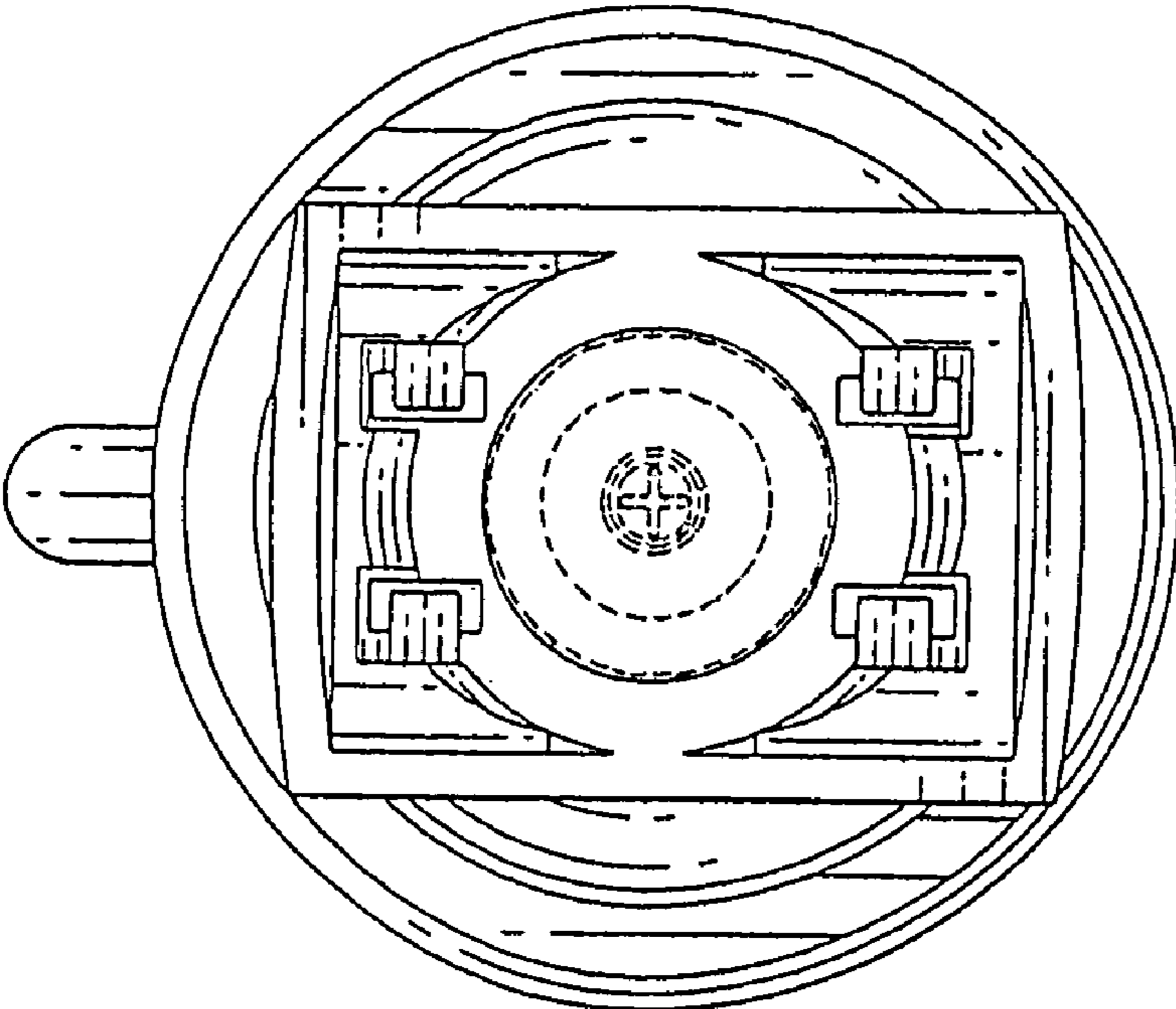


FIG. 3