



US00D581339S

(12) **United States Design Patent**
Schweizer

(10) **Patent No.:** **US D581,339 S**

(45) **Date of Patent:** **** Nov. 25, 2008**

(54) **WHEEL OR WHEEL COVER**

(75) Inventor: **Oliver Schweizer**, Stuttgart (DE)

(73) Assignee: **Daimler AG**, Stuttgart (DE)

(**) Term: **14 Years**

(21) Appl. No.: **29/309,262**

(22) Filed: **Jul. 16, 2008**

(30) **Foreign Application Priority Data**

Jan. 21, 2008 (EM) 000860820-0002

(51) **LOC (8) Cl.** **12-16**

(52) **U.S. Cl.** **D12/209**

(58) **Field of Classification Search** D12/204-213;
301/37.101, 64.101, 65, 64.201

See application file for complete search history.

(56) **References Cited**

U.S. PATENT DOCUMENTS

- D416,845 S * 11/1999 Frueh D12/209
- D441,709 S * 5/2001 Vian D12/211
- D460,729 S * 7/2002 Khan D12/209

- D477,266 S * 7/2003 Chung D12/211
- D492,238 S * 6/2004 Bernoni D12/211
- D499,059 S * 11/2004 Cahyono D12/209
- D502,680 S * 3/2005 Frizzi D12/211
- D515,004 S * 2/2006 Scheu D12/211
- D525,931 S * 8/2006 Chen D12/211
- D526,609 S * 8/2006 Hosoi D12/209
- D527,331 S * 8/2006 Aoki D12/211
- D530,254 S * 10/2006 Kim D12/209

* cited by examiner

Primary Examiner—Stacia Cadmus

(74) *Attorney, Agent, or Firm*—Crowell & Moring LLP

(57) **CLAIM**

The ornamental design for a wheel or wheel cover, as shown and described.

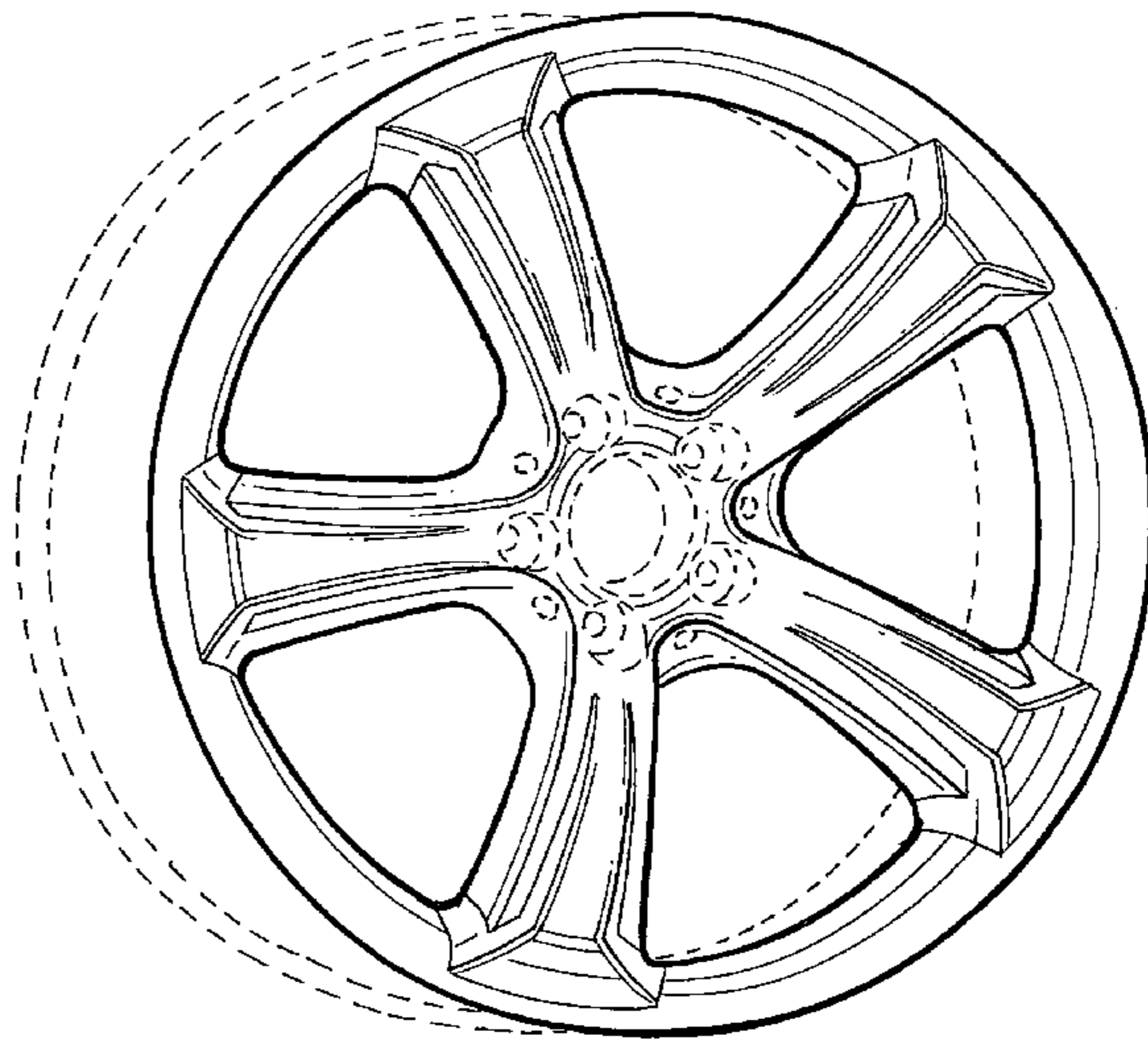
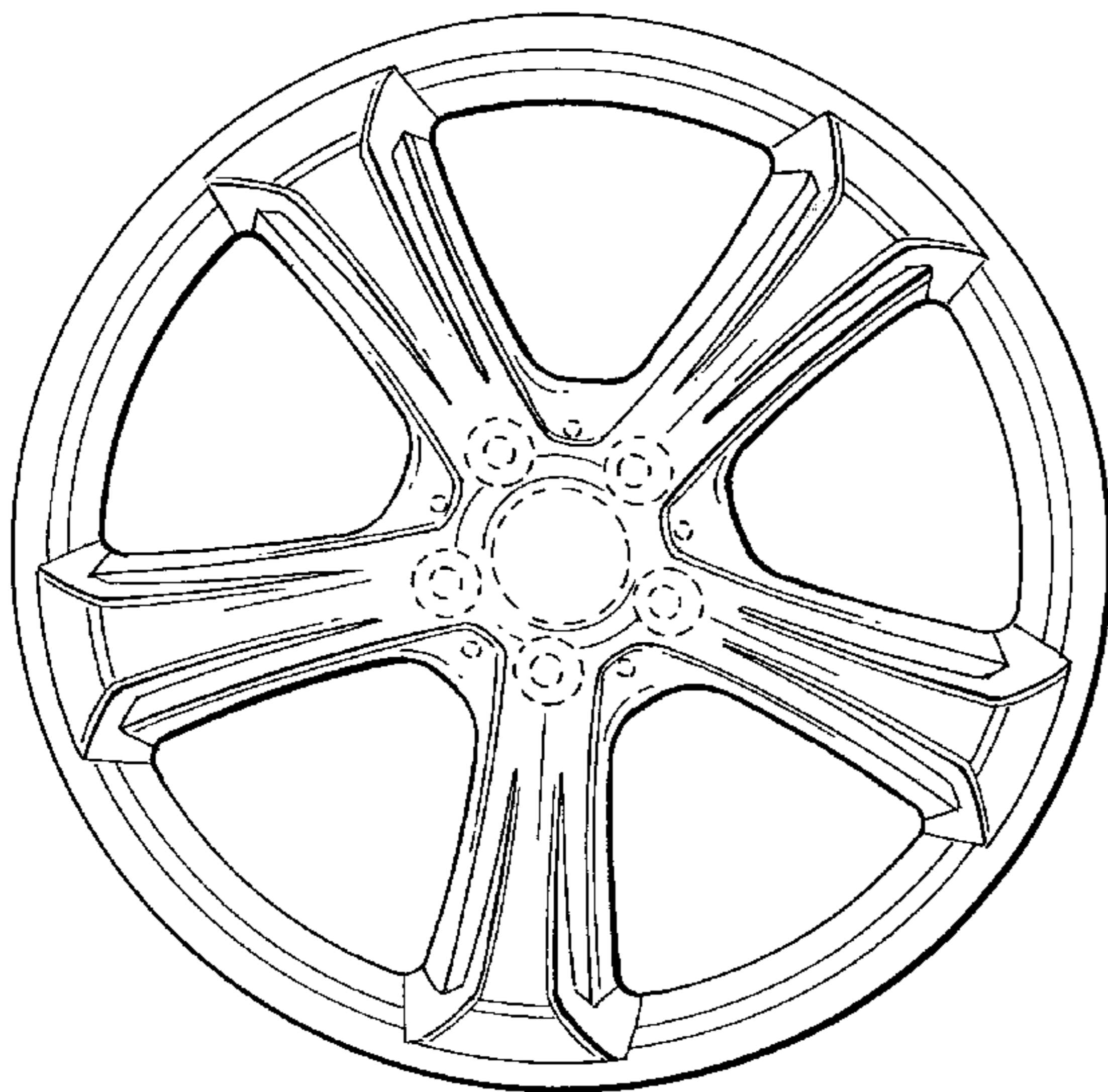
DESCRIPTION

FIG. 1 is a front view of a wheel or wheel cover according to my novel design; and,

FIG. 2 is a perspective view thereof.

The broken lines are for illustrative purposes only and form no part of the claimed design.

1 Claim, 1 Drawing Sheet



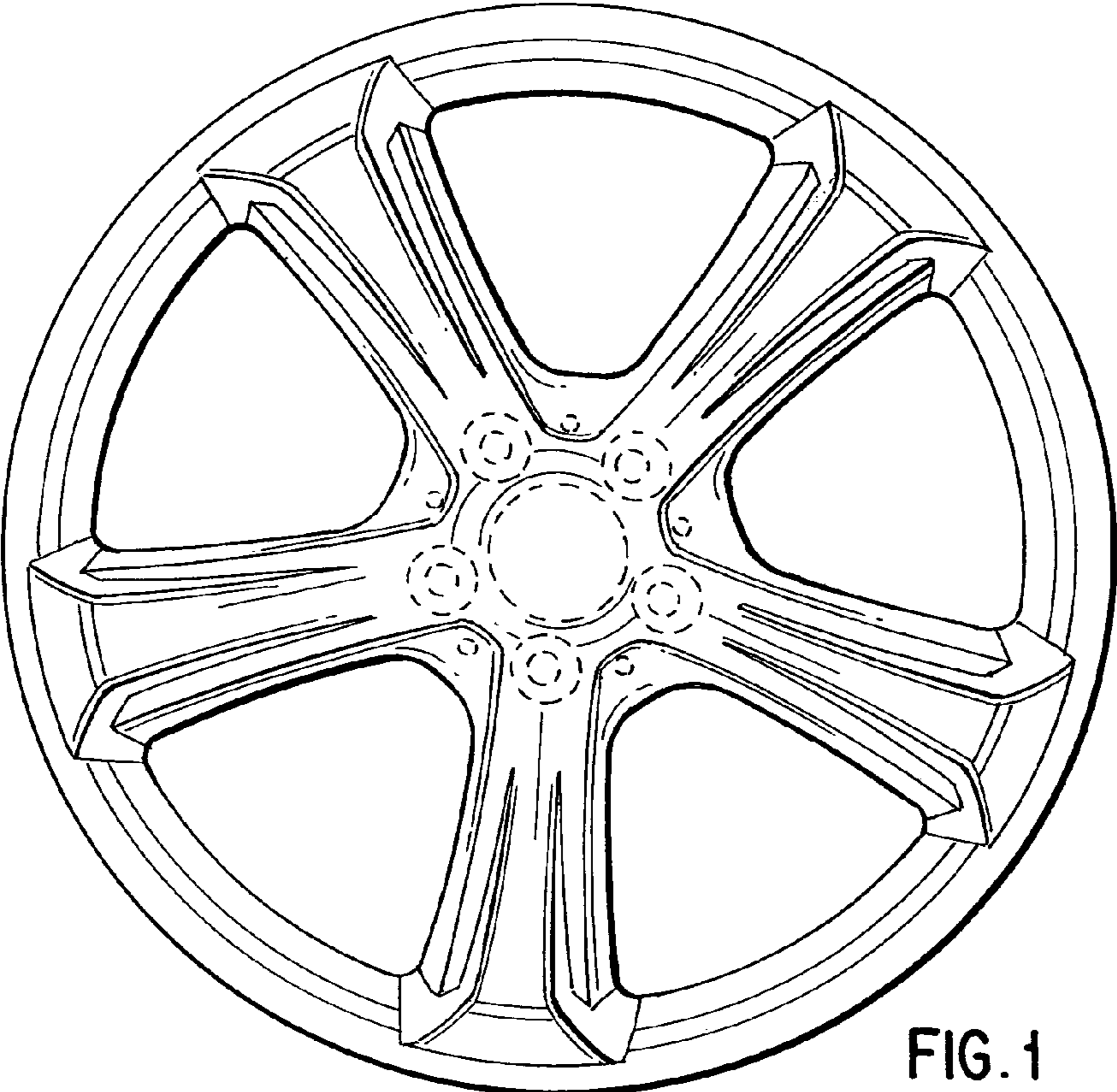


FIG. 1

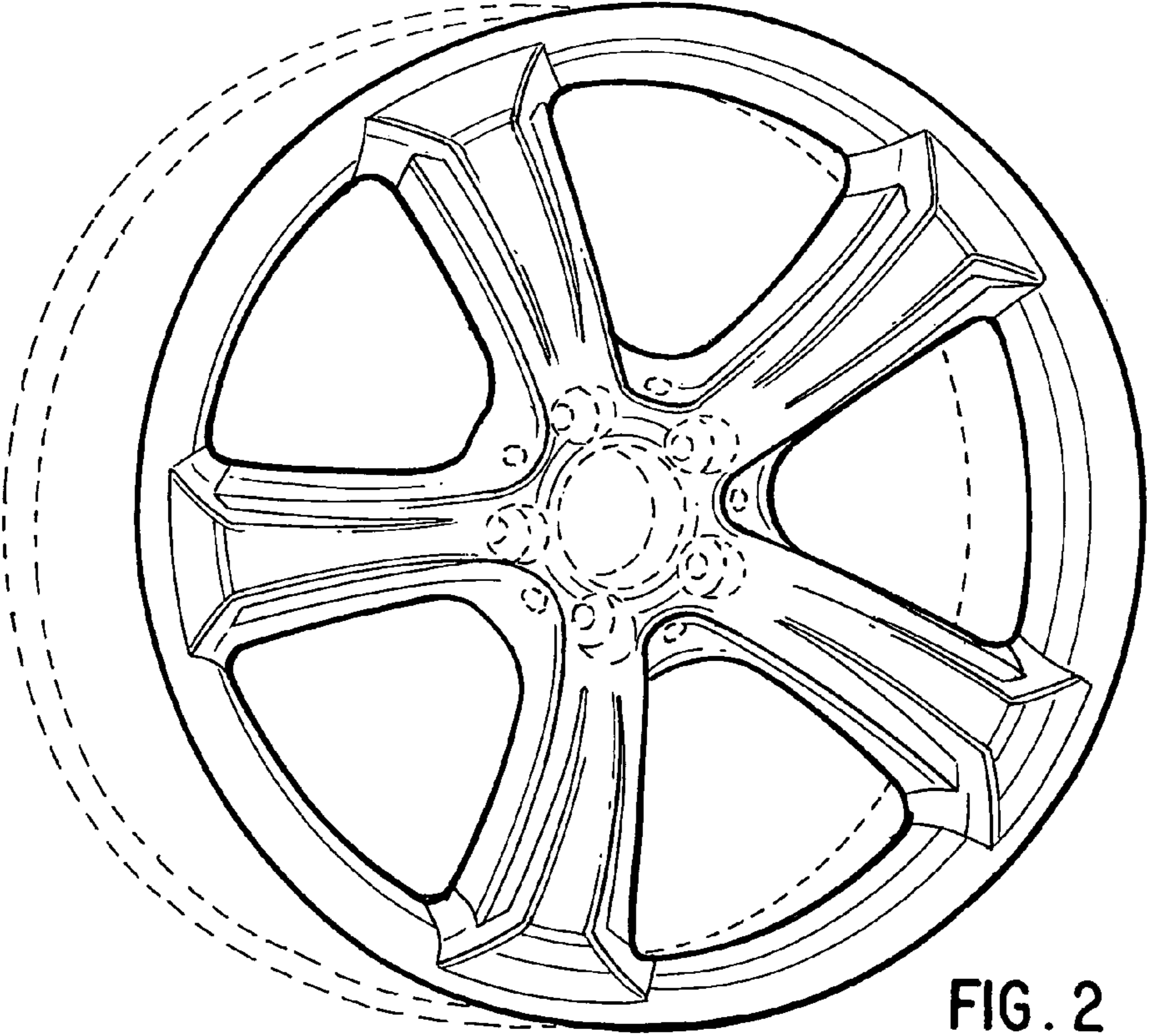


FIG. 2