



US00D581338S

(12) **United States Design Patent**
Imai

(10) **Patent No.:** **US D581,338 S**

(45) **Date of Patent:** **** Nov. 25, 2008**

(54) **WHEEL**

(75) Inventor: **Yoko Imai**, Lawndale, CA (US)

(73) Assignee: **Wheel Pros, LLC**, Lakewood, CO (US)

(**) Term: **14 Years**

(21) Appl. No.: **29/303,362**

(22) Filed: **Feb. 7, 2008**

(51) **LOC (8) Cl.** **12-16**

(52) **U.S. Cl.** **D12/209**

(58) **Field of Classification Search** D12/204–213;
301/37.101, 64.101, 65, 64.201

See application file for complete search history.

(56) **References Cited**

U.S. PATENT DOCUMENTS

D214,620 S	7/1969	Barris	
D417,427 S	12/1999	Brown	
D436,339 S	1/2001	Fitzgerald	
D449,267 S	10/2001	Fitzgerald	
D453,492 S *	2/2002	Laengerer D12/209
D456,757 S	5/2002	Schroeder	
D457,849 S	5/2002	Kataoka	
D459,691 S	7/2002	Takechi	
D460,941 S	7/2002	Muzzarelli	
D461,155 S	8/2002	Takechi	
D465,758 S	11/2002	Plessing	
D467,857 S	12/2002	Chung	
D468,678 S	1/2003	Oh	
D471,144 S *	3/2003	Pfeiffer D12/209
D471,500 S	3/2003	Kataoka	
D471,503 S	3/2003	Baumgartner	
D474,141 S	5/2003	Foose	
D475,962 S	6/2003	Chung	
D478,306 S	8/2003	Brown et al.	
D481,000 S *	10/2003	Wartono D12/209

D481,346 S	10/2003	Vian
D481,347 S	10/2003	Kang
D484,083 S	12/2003	Tai
D484,084 S	12/2003	Tai
D486,114 S	2/2004	Lai
D487,882 S	3/2004	Cahyono

(Continued)

Primary Examiner—Stacia Cadmus

(74) *Attorney, Agent, or Firm*—Garcia-Zamor IP Law; Ruy M. Garcia-Zamor

(57) **CLAIM**

The ornamental design for a wheel, as shown and described.

DESCRIPTION

FIG. 1 is a perspective view of a wheel according to a preferred embodiment of my new design;

FIG. 2 is a front elevational view of the wheel of FIG. 1;

FIG. 3 is a left side elevational view of the wheel of FIG. 1, the right side elevational view of the wheel of FIG. 1 being a mirror image of FIG. 3;

FIG. 4 is a top plan view of the wheel of FIG. 1;

FIG. 5 is a bottom plan view of the wheel of FIG. 1;

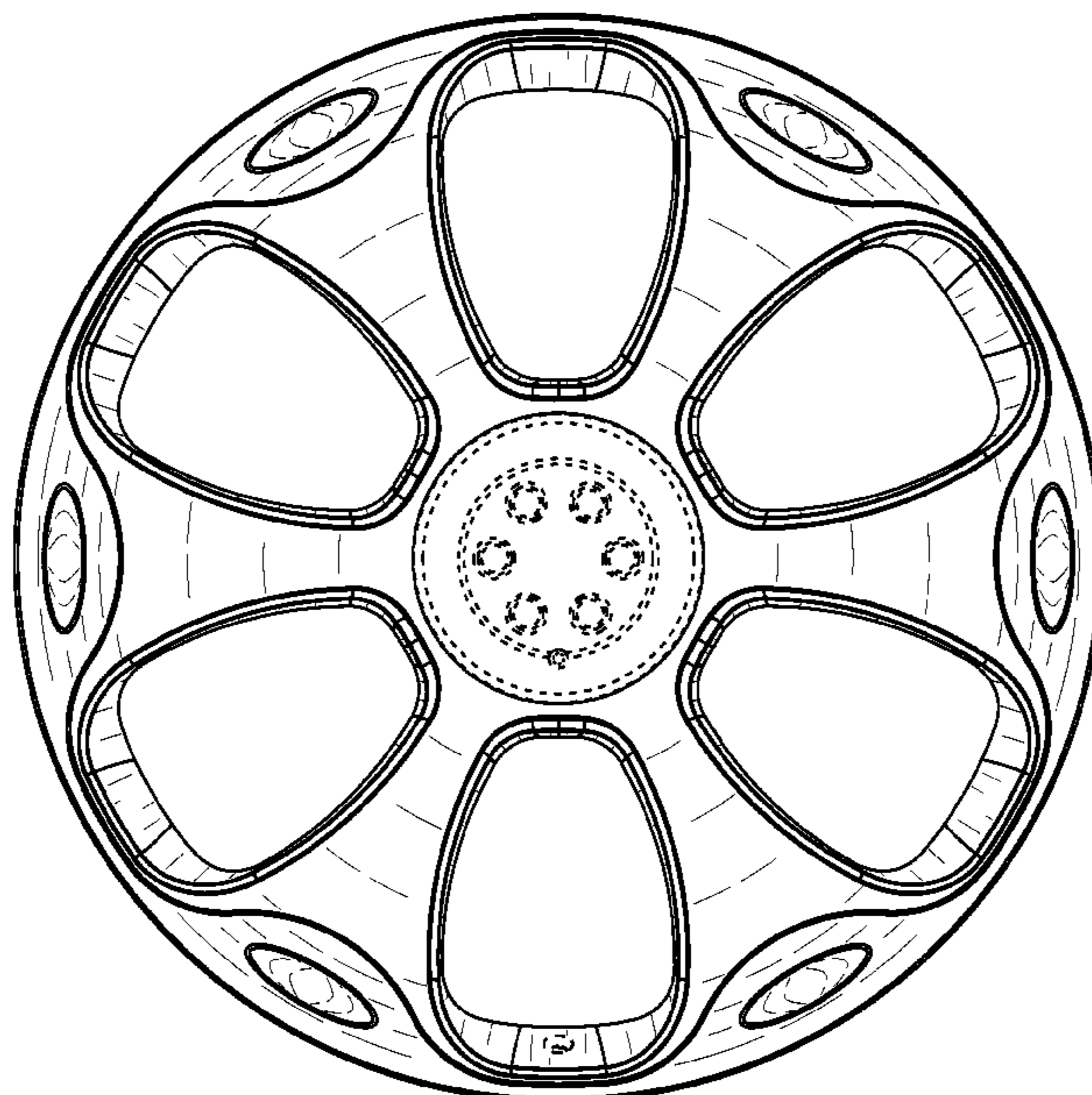
FIG. 6 is a rear elevational view of the wheel of FIG. 1;

FIG. 7 is a perspective view of a wheel according to a second preferred embodiment of my new design; and,

FIG. 8 is a front elevational view of the wheel of FIG. 7; Portions of the wheel not shown in FIGS. 7 and 8 are disclaimed as forming no part of the claimed design.

The broken lines in FIGS. 1–8 represent environment and are for illustrative purposes only and do not constitute part of the claimed design.

1 Claim, 8 Drawing Sheets



US D581,338 S

Page 2

U.S. PATENT DOCUMENTS

D488,116 S	4/2004	Chung	D504,099 S	4/2005	Boyer	
D488,422 S	4/2004	Hartanto	D505,651 S	5/2005	Arellano et al.	
D488,762 S	4/2004	Cahyono	D506,429 S	6/2005	Arellano et al.	
D488,763 S	4/2004	Takechi	D507,222 S	7/2005	Arellano et al.	
D490,040 S	5/2004	Foose	D513,726 S	1/2006	Kamimura	
D492,234 S	6/2004	Kataoka	D526,265 S *	8/2006	Muzzarelli	D12/209
D492,240 S	6/2004	Suciu	D527,699 S	9/2006	Kiesel	
D493,406 S	7/2004	Kataoka	D531,103 S *	10/2006	Kim	D12/209
D494,523 S	8/2004	Koenigsberg	D531,561 S *	11/2006	Kanai	D12/209
D495,285 S	8/2004	Phillips	D531,562 S *	11/2006	Kim	D12/209
D497,133 S	10/2004	Cheng	D543,493 S *	5/2007	Kim	D12/209
D497,134 S	10/2004	Anerson et al.	D553,063 S *	10/2007	Pugh	D12/209
D497,139 S	10/2004	Anderson et al.	D558,115 S *	12/2007	Groom	D12/209
D499,060 S	11/2004	Cahyono	D571,274 S *	6/2008	Chung	D12/209

* cited by examiner

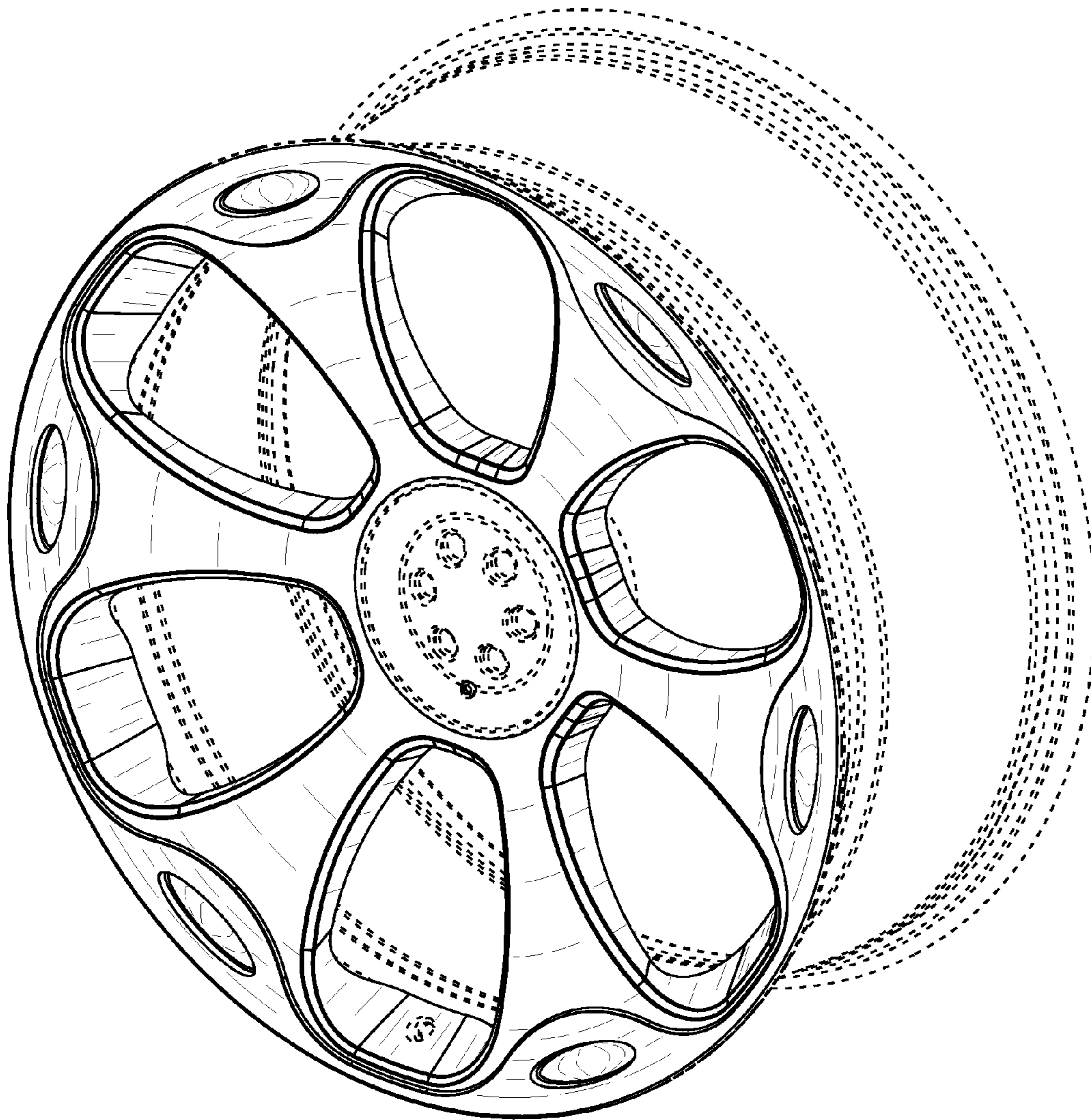


FIG. 1

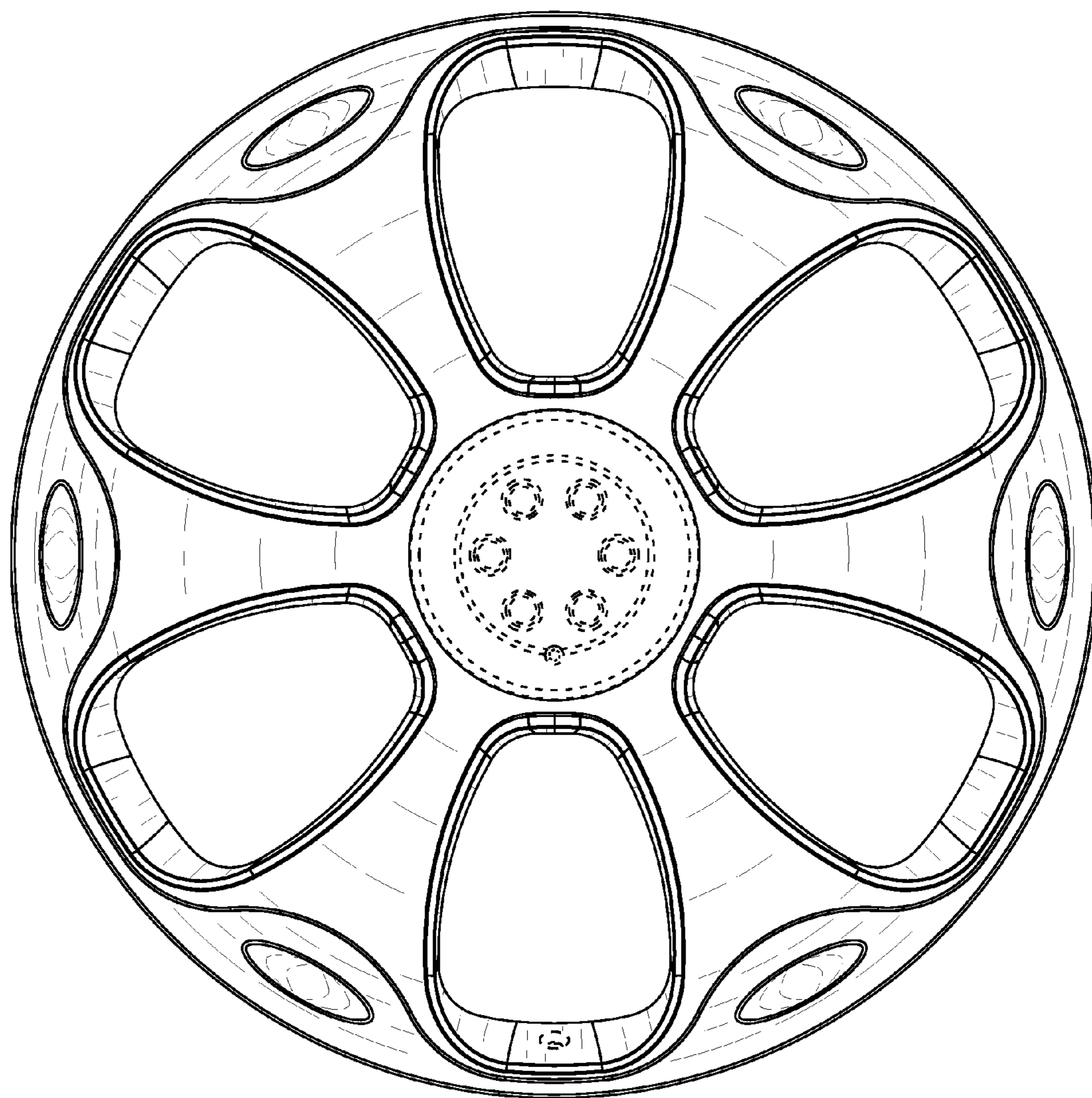


FIG. 2

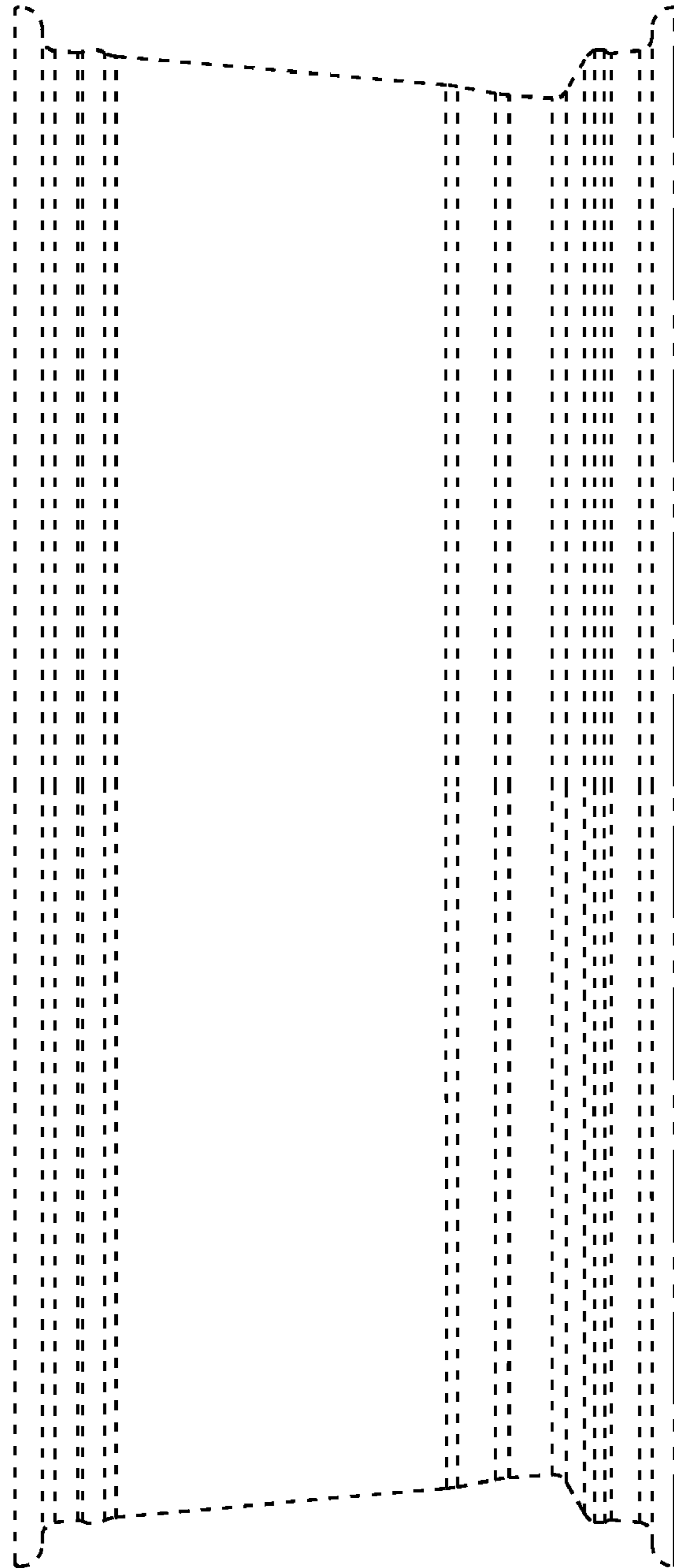


FIG. 3

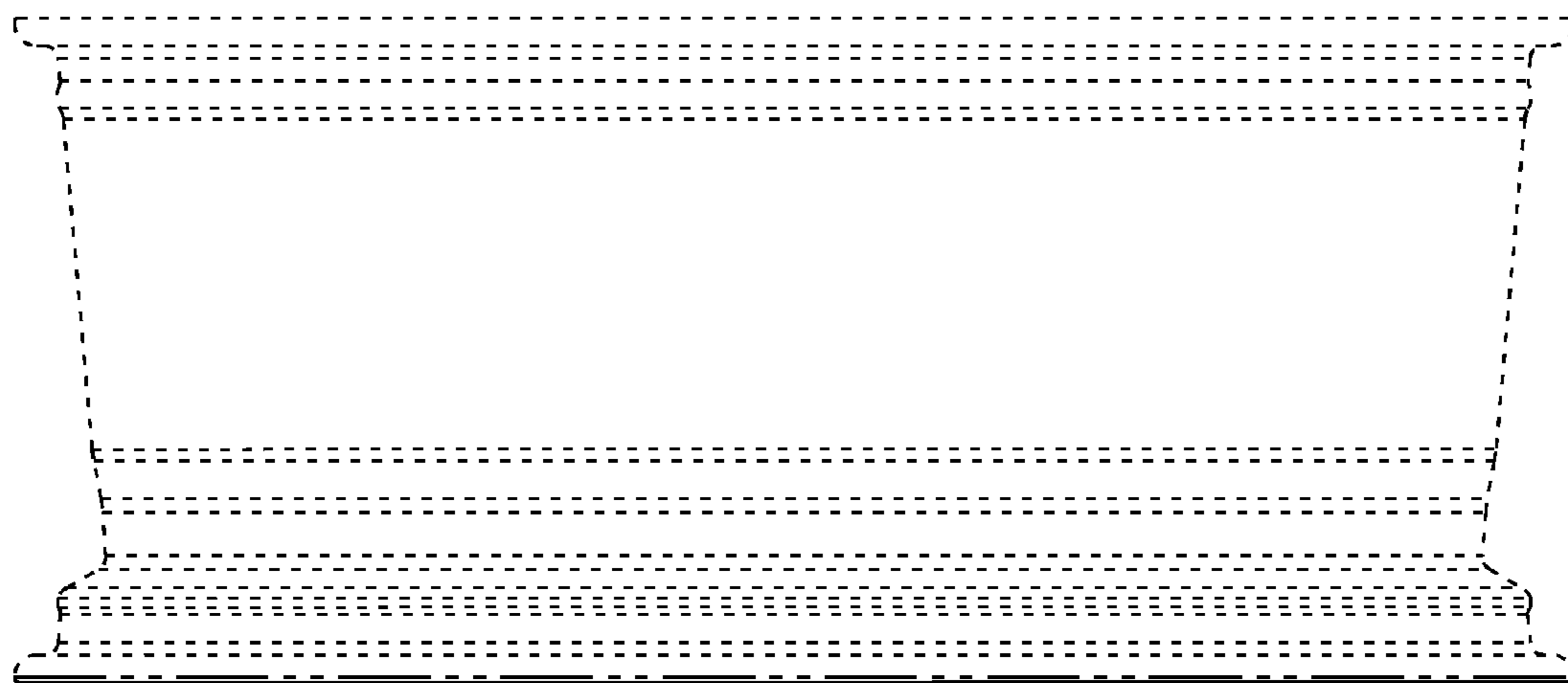


FIG. 4

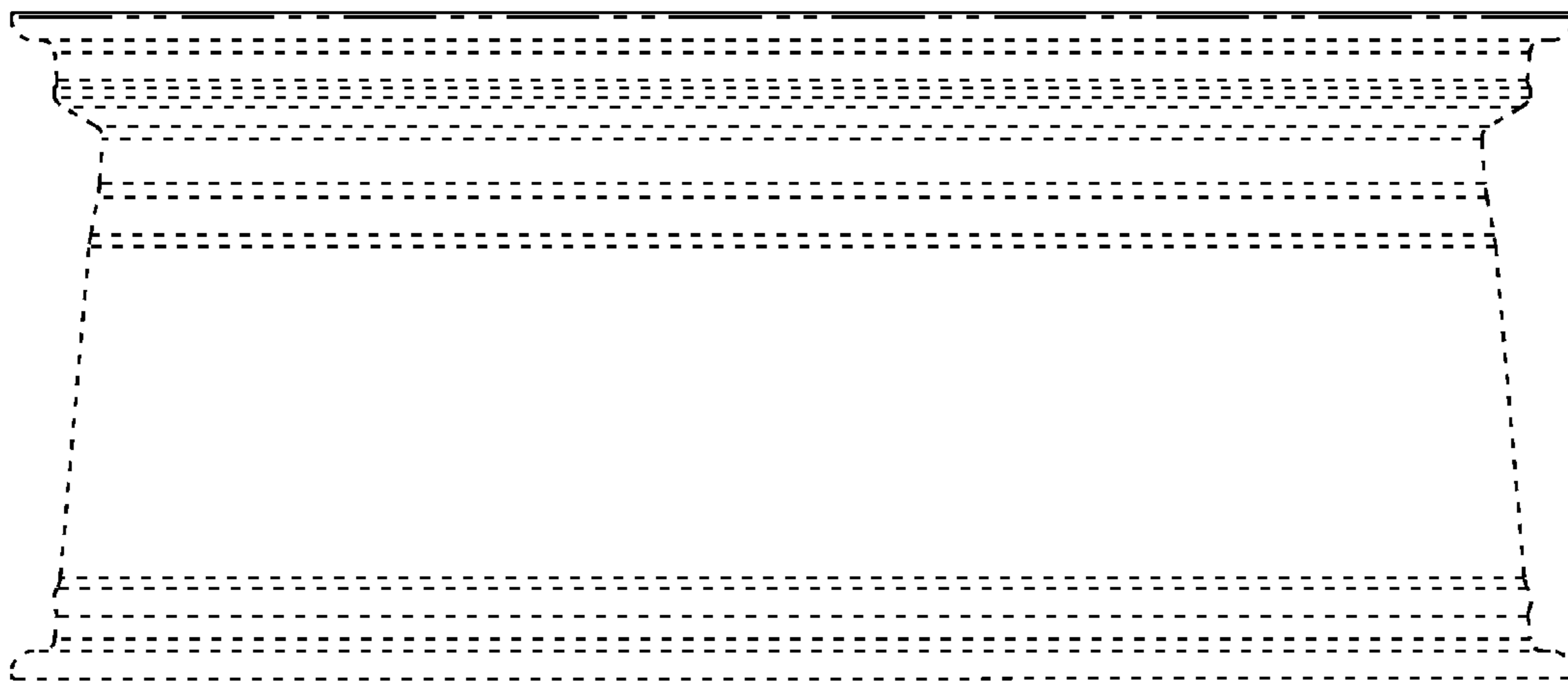


FIG. 5

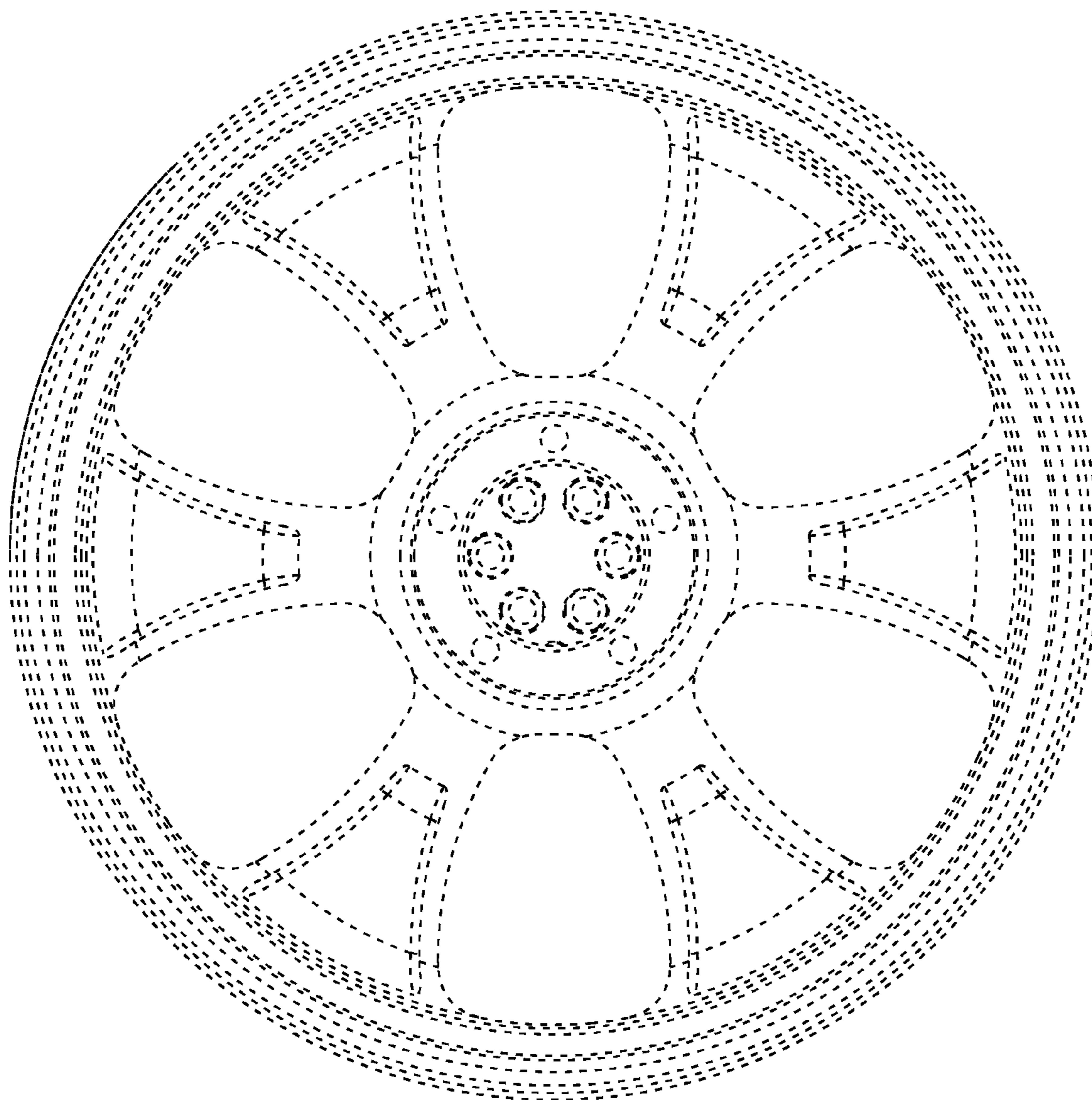


FIG. 6

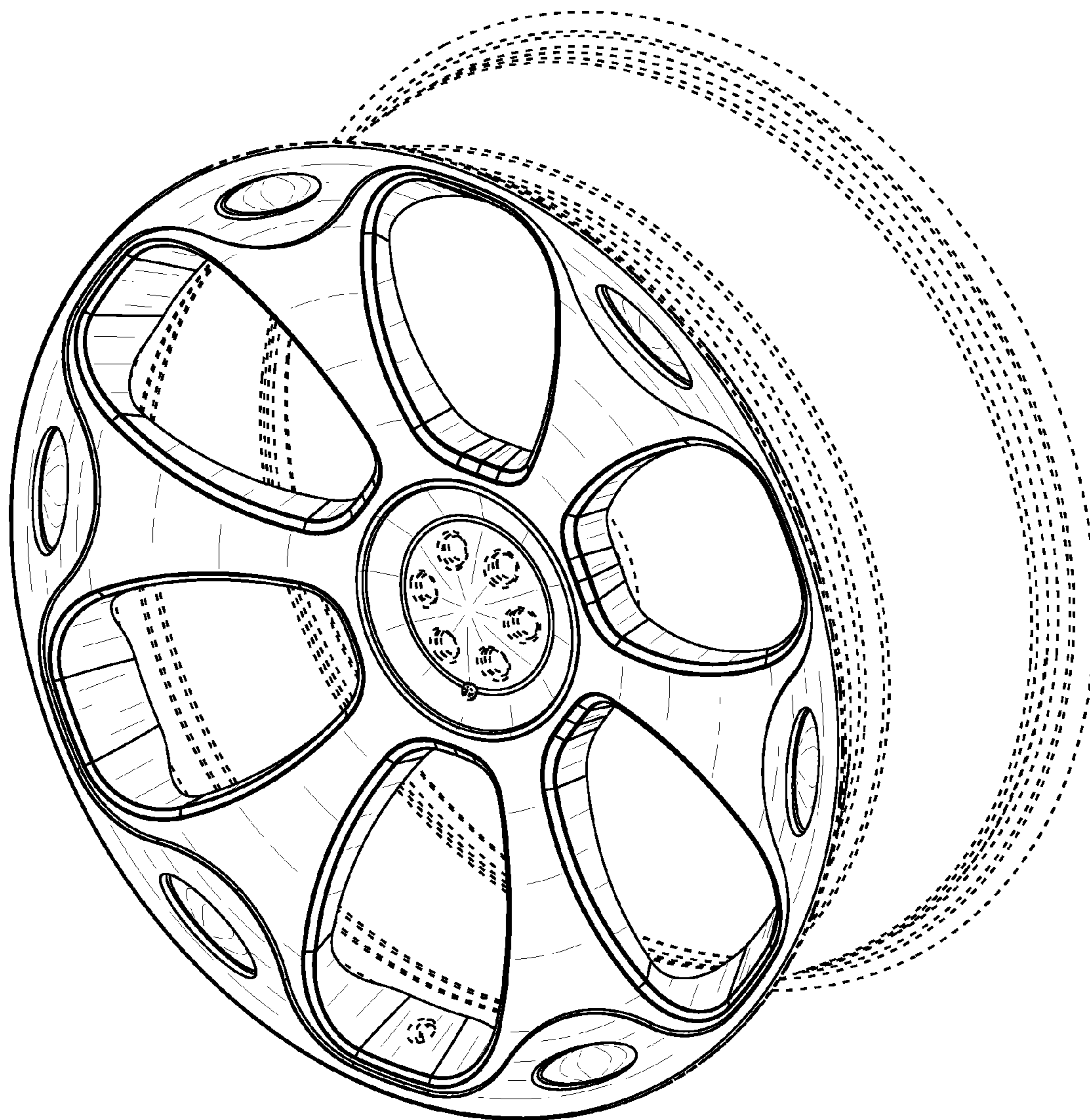


FIG. 7

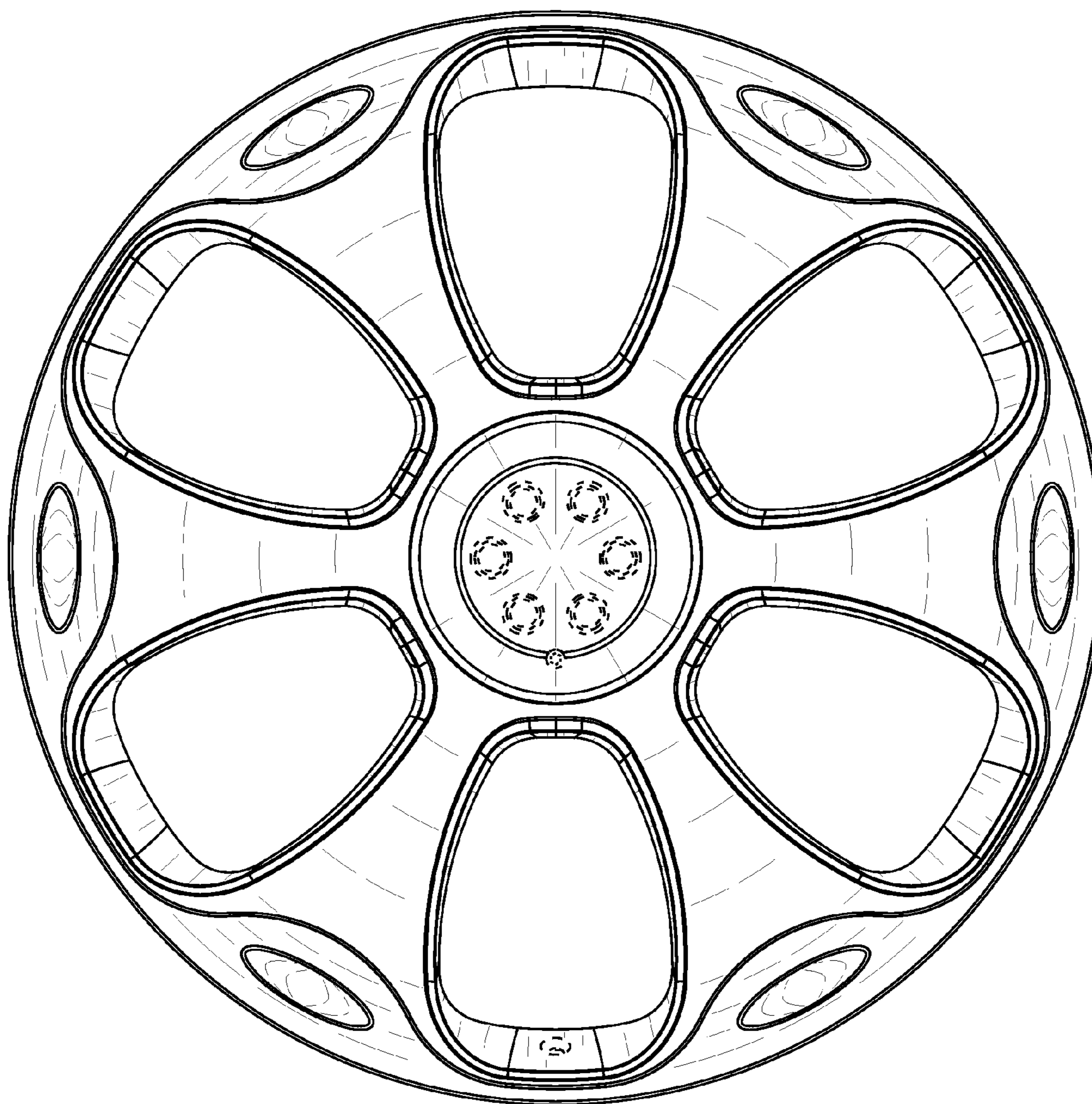


FIG. 8