



US00D581334S

(12) **United States Design Patent**
Courbon et al.

(10) **Patent No.:** **US D581,334 S**
(45) **Date of Patent:** **** Nov. 25, 2008**

(54) **EXTERIOR VEHICLE MIRROR ASSEMBLY**

Primary Examiner—Robert M Spear
Assistant Examiner—Katrina A Kile

(75) Inventors: **Emmanuel Courbon**, Columbia, SC (US); **Andreas Enz**, Columbia, SC (US); **Dan Moran**, Lexington, SC (US)

(74) *Attorney, Agent, or Firm*—McNair Law Firm, P.A.; Seann P. Lahey

(73) Assignee: **Lang-Mekra North America LLC**, Ridgeway, SC (US)

(57) **CLAIM**

(**) Term: **14 Years**

The ornamental design for an exterior vehicle mirror assembly, as shown and described.

(21) Appl. No.: **29/294,579**

DESCRIPTION

(22) Filed: **Jan. 18, 2008**

(51) **LOC (8) Cl.** **12-16**

(52) **U.S. Cl.** **D12/187**

(58) **Field of Classification Search** D12/187–189, D12/96; D6/300, 309; 359/838, 841, 843, 359/844, 868, 871, 872, 604, 881, 514, 866; 248/479–483, 475.1

FIG. 1 is a front perspective view of the exterior vehicle mirror assembly design;

FIG. 2 is a rear perspective view of the exterior vehicle mirror assembly design;

FIG. 3 is a front elevation view of the exterior vehicle mirror assembly design;

FIG. 4 is a rear elevation view of the exterior vehicle mirror assembly design;

FIG. 5 is a left side elevation view of the exterior vehicle mirror assembly design;

FIG. 6 is a right side elevation view of the exterior vehicle mirror assembly design;

FIG. 7 is a top plan view of the exterior vehicle mirror assembly design; and,

FIG. 8 is a bottom plan view of the exterior vehicle mirror assembly design.

In the drawings, the broken lines depict two mirrors and the interior boundary of an exterior vehicle mirror assembly and form no part of the claimed design.

See application file for complete search history.

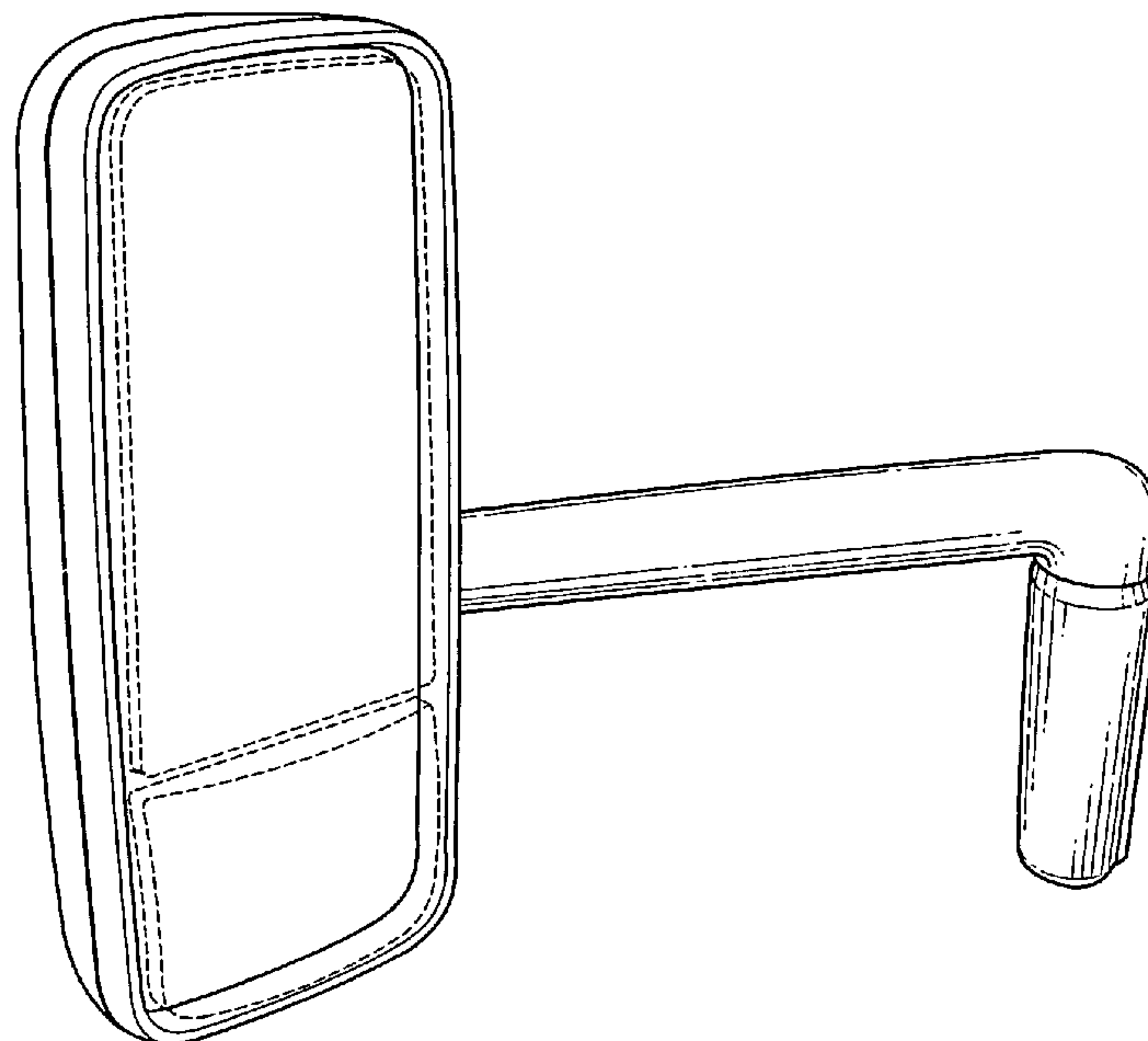
(56) **References Cited**

U.S. PATENT DOCUMENTS

3,833,198	A *	9/1974	Holzman	248/476
4,793,582	A *	12/1988	Bronstein et al.	248/486
5,489,080	A *	2/1996	Allen	248/480
5,687,035	A *	11/1997	Lang	359/864
D399,809	S *	10/1998	Leveille	D12/187
5,889,627	A *	3/1999	Englander et al.	359/864
6,764,056	B1 *	7/2004	Wu	248/480
6,851,813	B2 *	2/2005	Vandenbrink	359/841
2007/0177286	A1 *	8/2007	Henion	359/871
2007/0253082	A1 *	11/2007	Schmidt et al.	359/850
2008/0100939	A1 *	5/2008	Brester	359/872

* cited by examiner

1 Claim, 4 Drawing Sheets



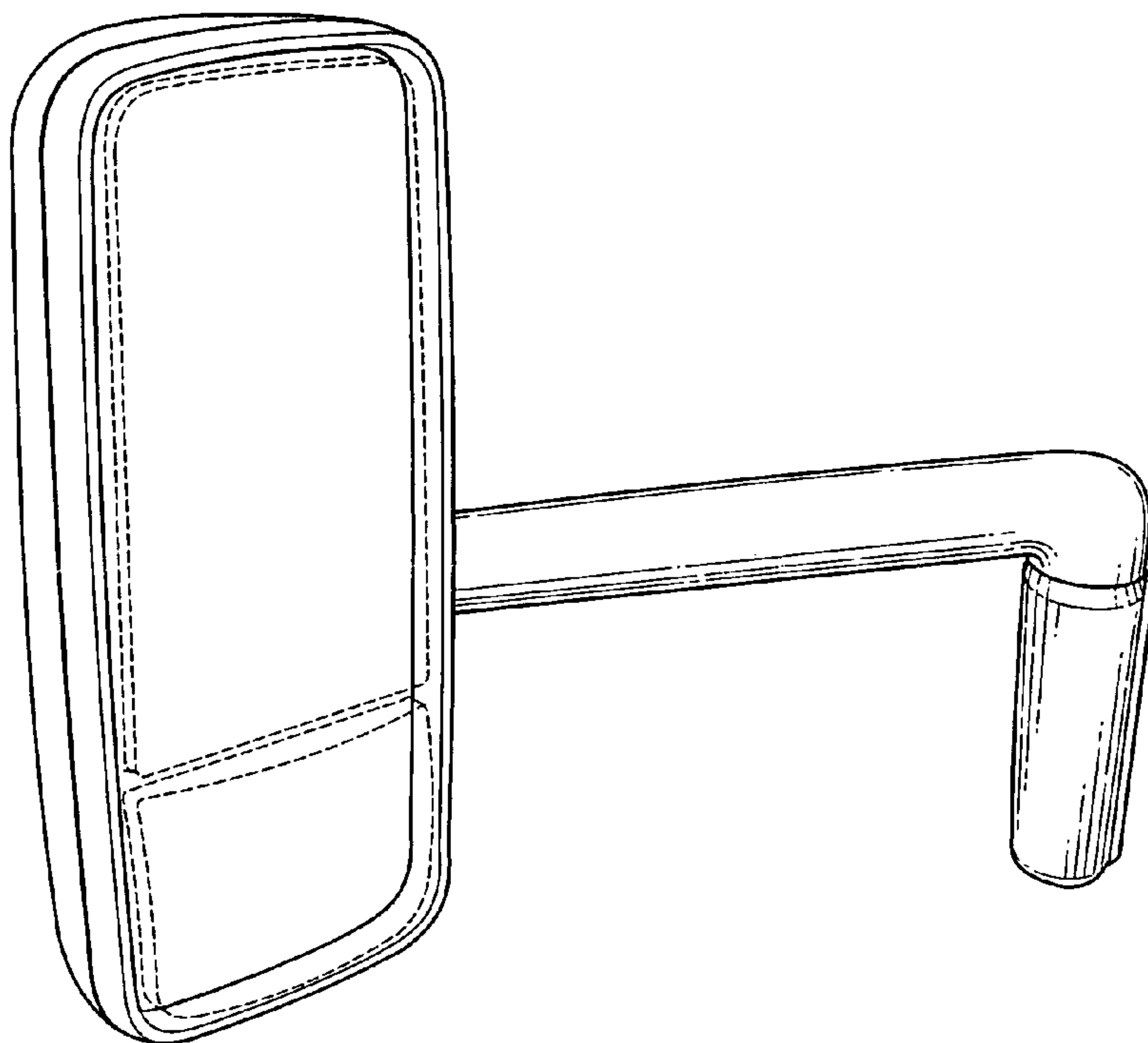


Fig. 1

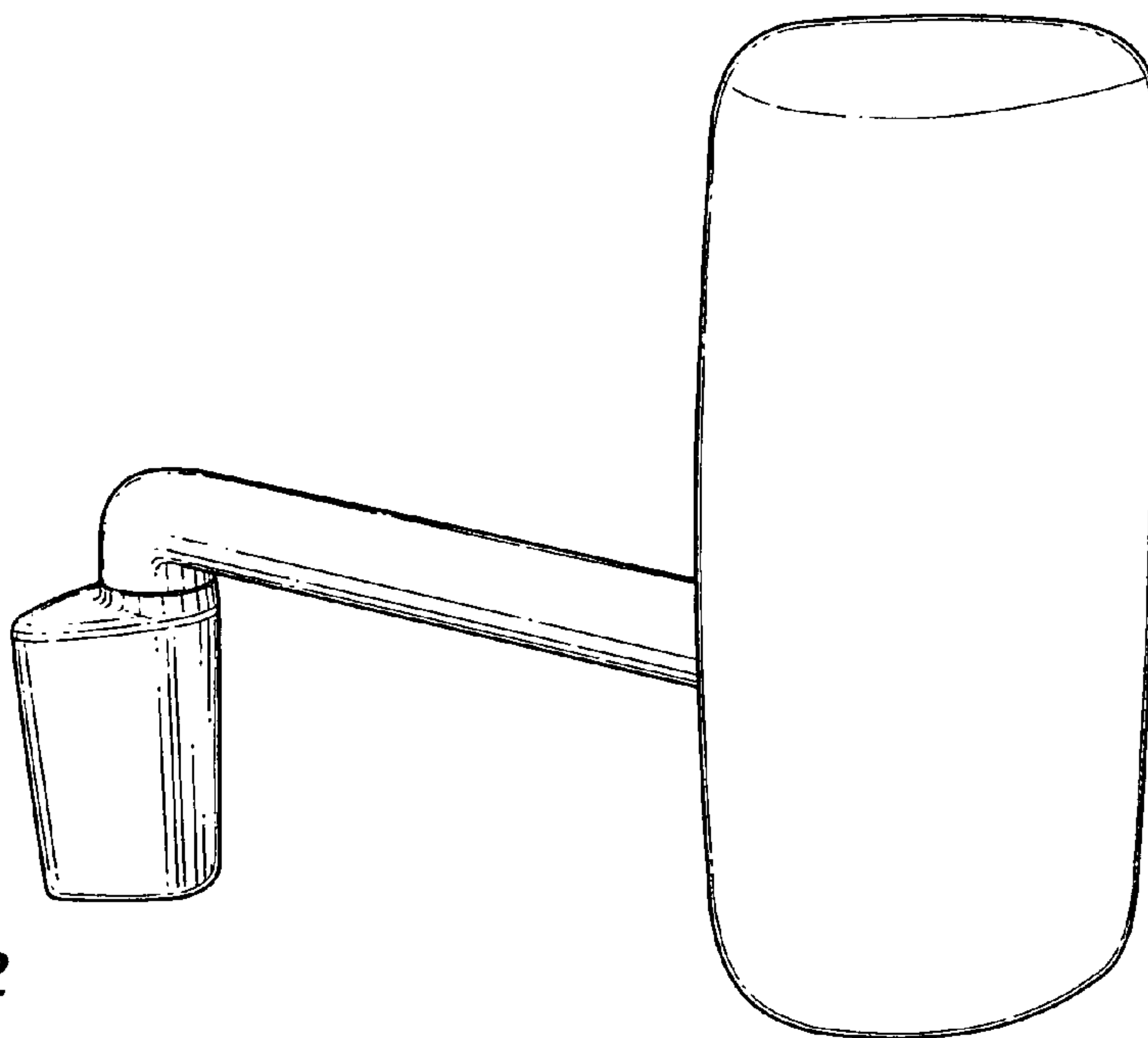


Fig. 2

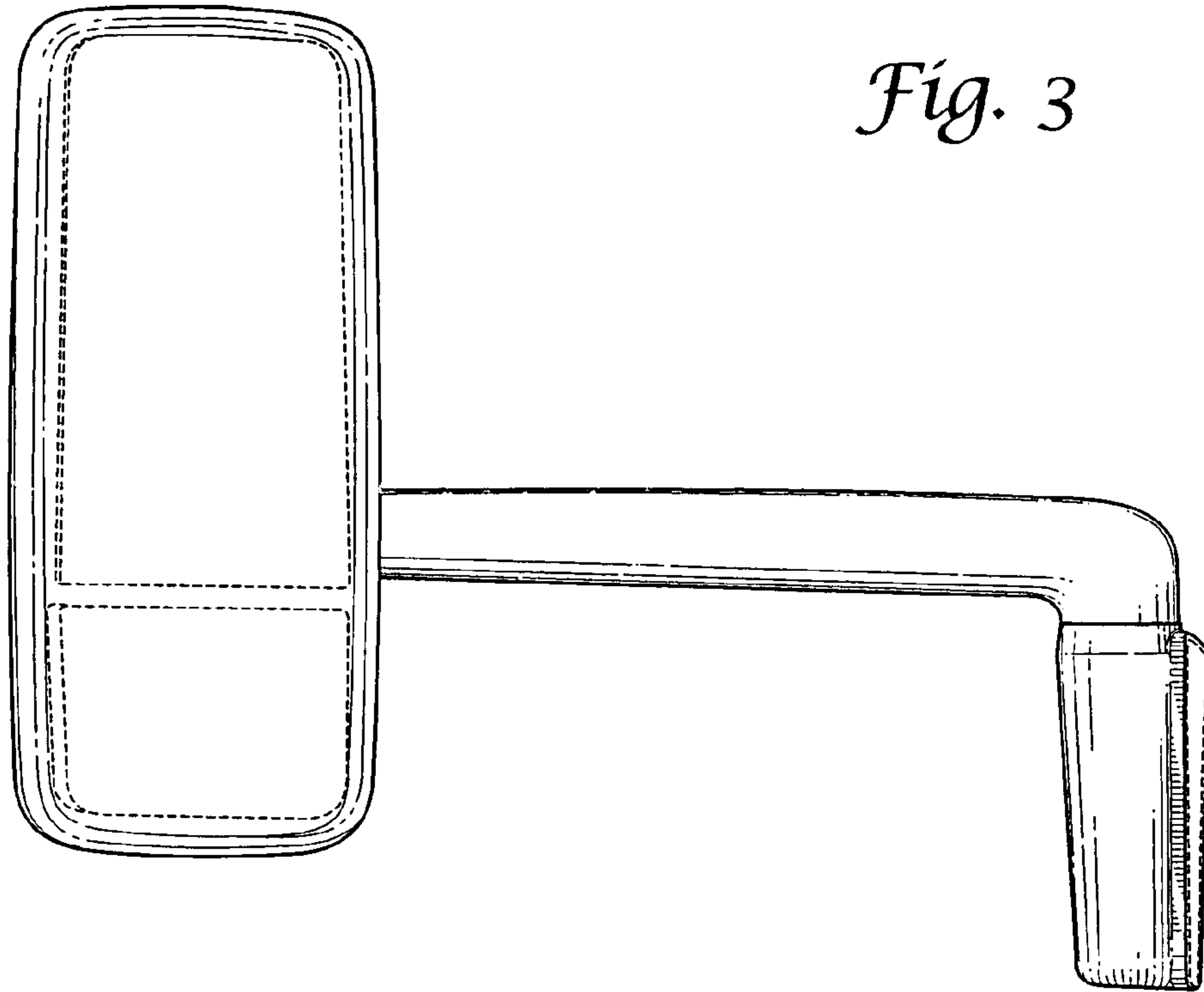


Fig. 3

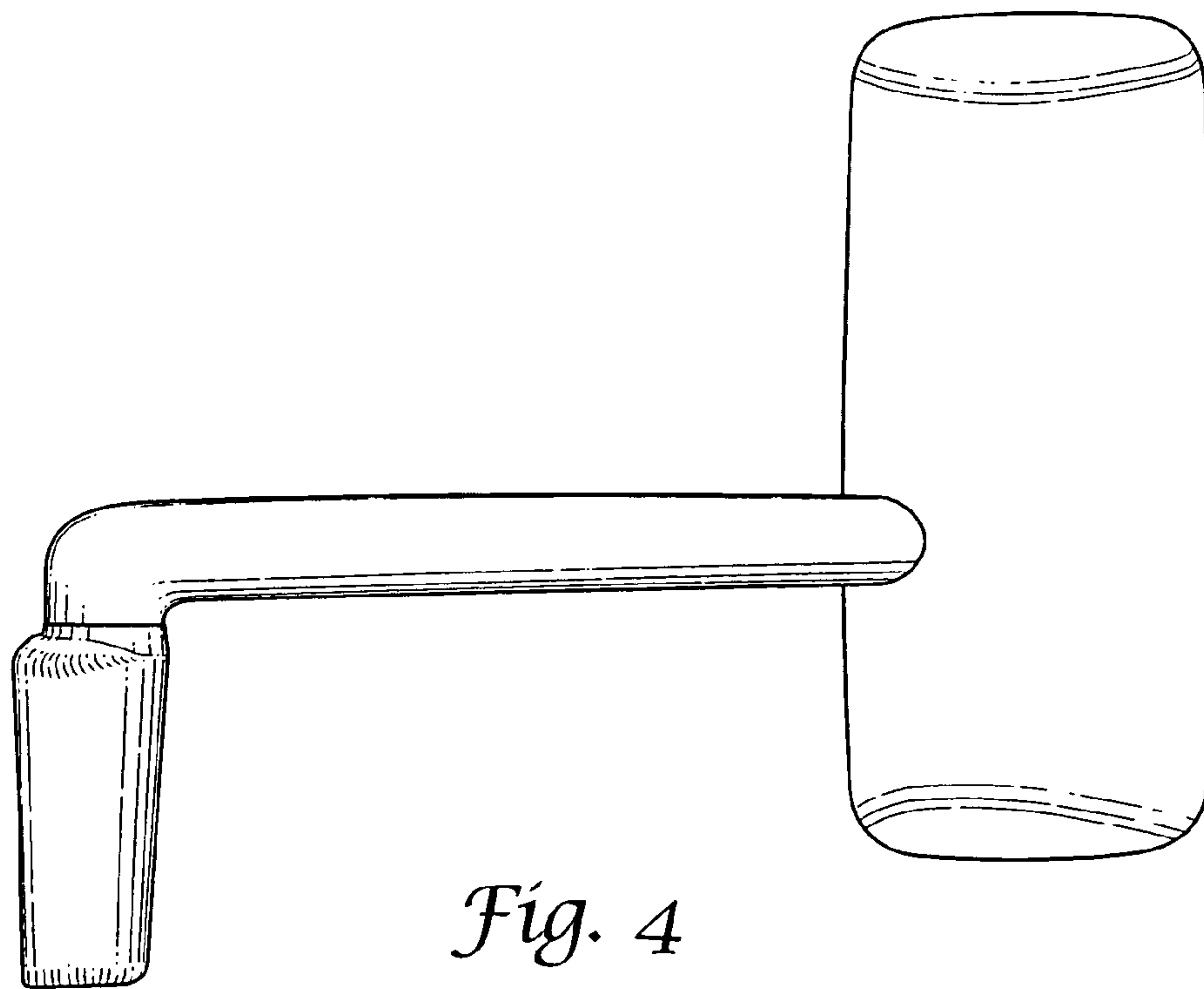


Fig. 4

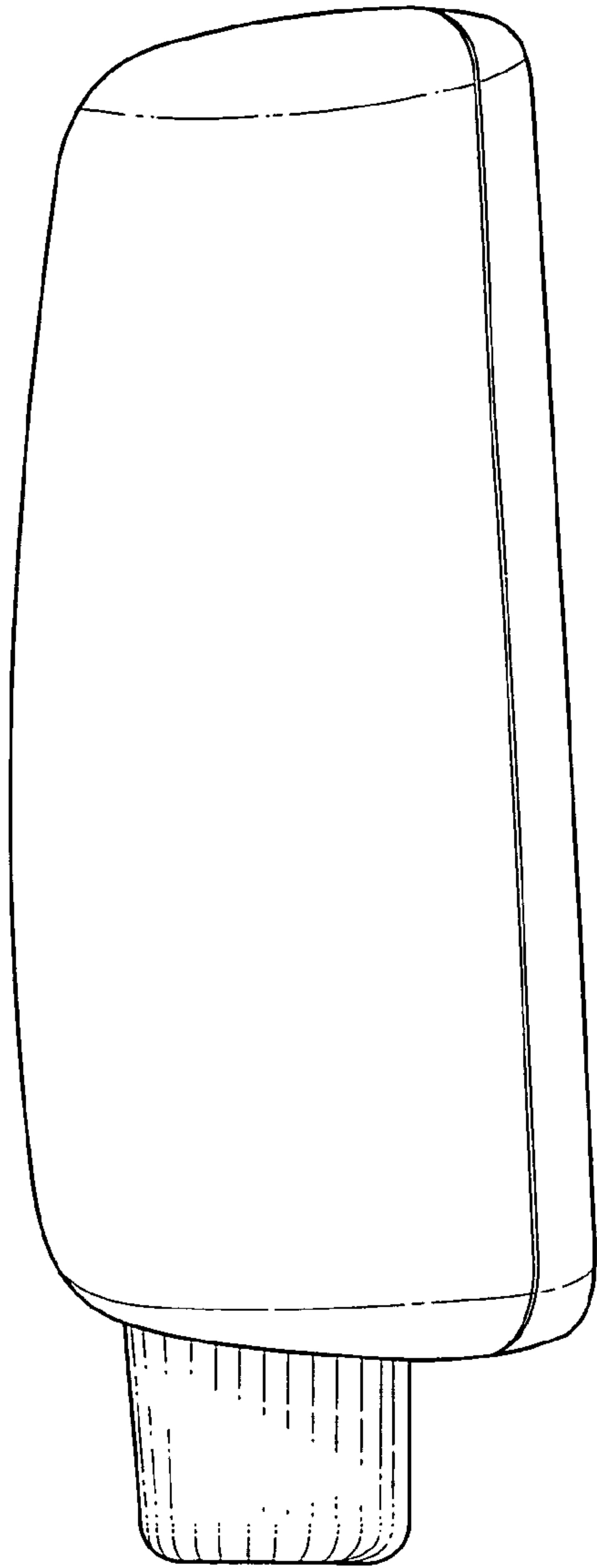


Fig. 5

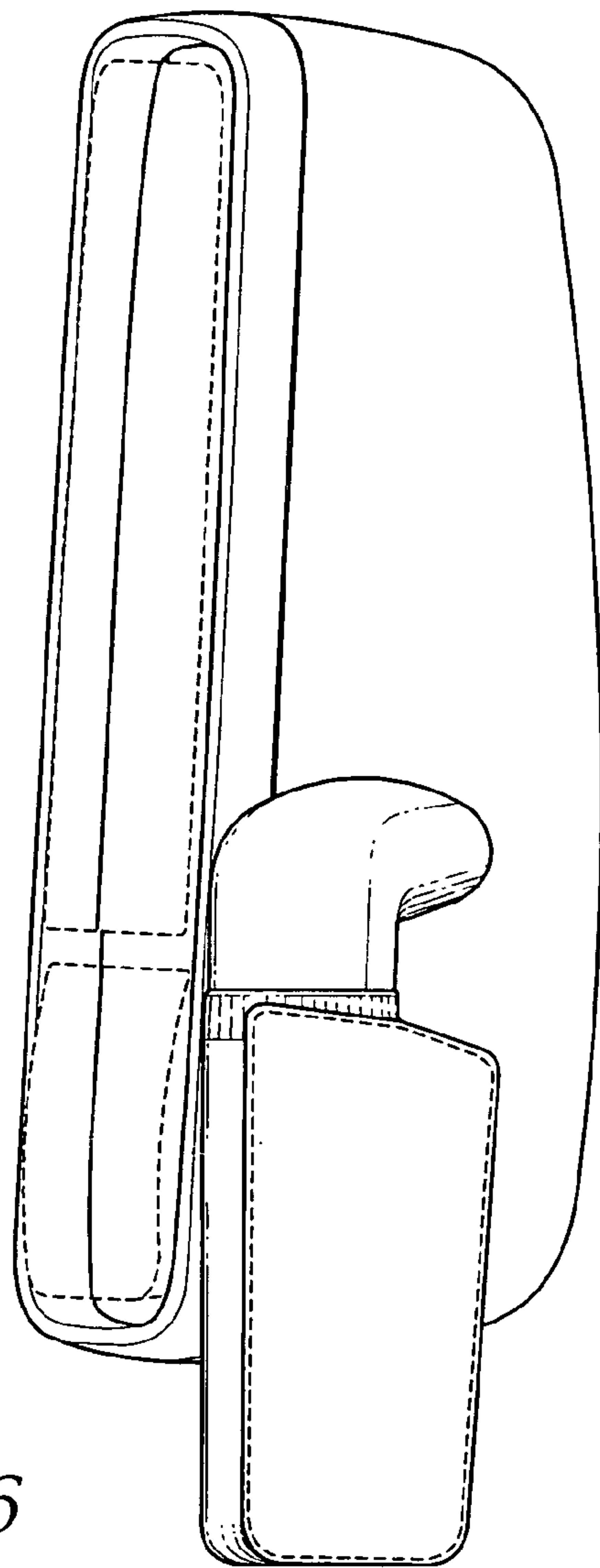


Fig. 6

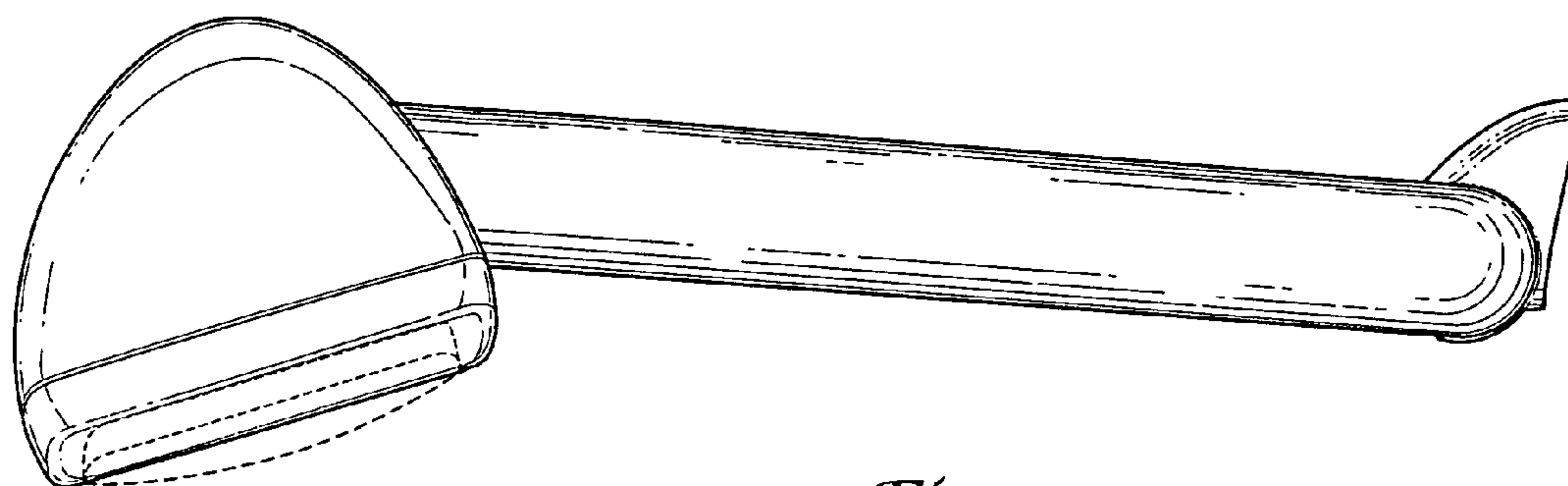


Fig. 7

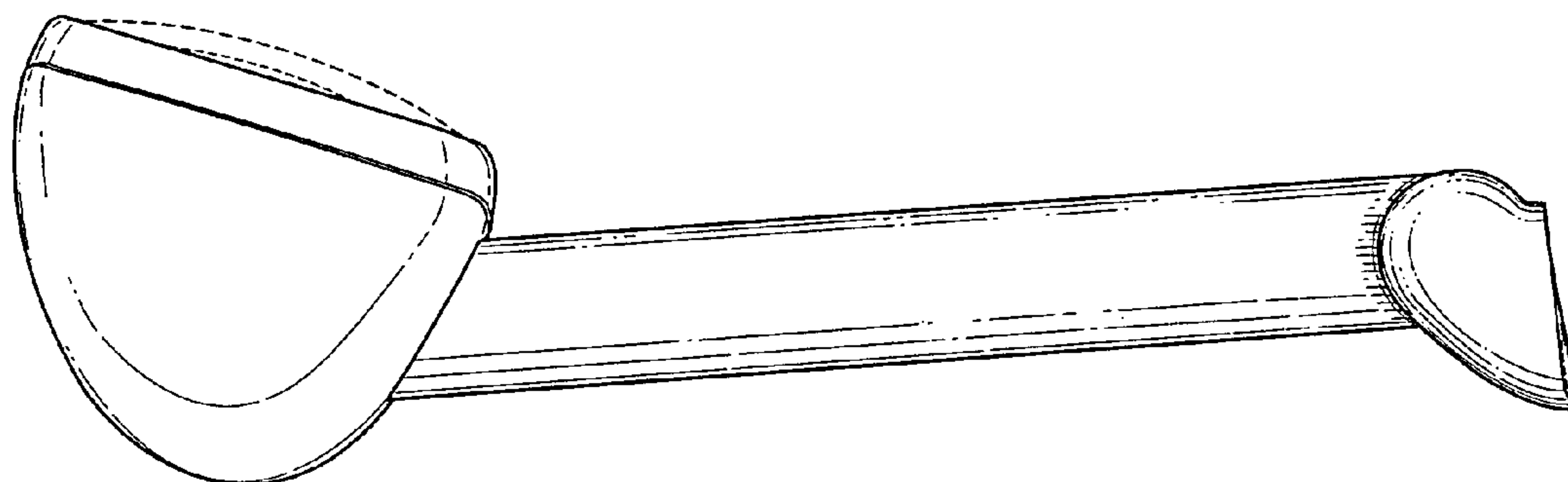


Fig. 8