



US00D581333S

(12) **United States Design Patent**
Courbon et al.

(10) **Patent No.:** **US D581,333 S**

(45) **Date of Patent:** **** Nov. 25, 2008**

(54) **MOUNTING BRACKET AND SUPPORT ARM FOR AN EXTERIOR VEHICLE MIRROR ASSEMBLY**

Primary Examiner—Robert M Spear
Assistant Examiner—Katrina A Kile
(74) *Attorney, Agent, or Firm*—McNair Law Firm, P.A.;
Seann P. Lahey

(75) Inventors: **Emmanuel Courbon**, Columbia, SC (US); **Andreas Enz**, Columbia, SC (US); **Dan Moran**, Lexington, SC (US)

(57) **CLAIM**

(73) Assignee: **Lang-Mekra North America, LLC**, Ridgeway, SC (US)

The ornamental design for a mounting bracket and support arm for an exterior vehicle mirror assembly, as shown and described.

(**) Term: **14 Years**

DESCRIPTION

(21) Appl. No.: **29/294,578**

FIG. 1 is a rear perspective view of the mounting bracket and support arm design;

(22) Filed: **Jan. 18, 2008**

FIG. 2 is a front perspective view of the mounting bracket and support arm design;

(51) **LOC (8) Cl.** **12-16**

(52) **U.S. Cl.** **D12/187**

(58) **Field of Classification Search** D12/187–189,
D12/96; D6/300, 309; 359/838, 841, 843,
359/844, 868, 871, 872, 604, 881, 514, 866;
248/479–483, 475.1

FIG. 3 is a front elevation view of the mounting bracket and support arm design;

FIG. 4 is a rear elevation view of the mounting bracket and support arm design;

See application file for complete search history.

FIG. 5 is a right side elevation view of the mounting bracket and support arm design;

(56) **References Cited**

U.S. PATENT DOCUMENTS

3,724,928	A *	4/1973	Olsen et al.	74/502.1
D407,361	S *	3/1999	Lang	D12/187
D452,671	S *	1/2002	Lang	D12/187
D457,114	S *	5/2002	Lang et al.	D12/187
D476,611	S *	7/2003	Fiess et al.	D12/223
6,764,207	B2 *	7/2004	Abalos et al.	362/494
6,814,336	B2 *	11/2004	Courbon	248/478
7,113,340	B2 *	9/2006	Lang et al.	359/599
D530,248	S *	10/2006	Branham	D12/187
D552,020	S *	10/2007	Hofle	D12/187

FIG. 6 is a left side elevation view of the mounting bracket and support arm design;

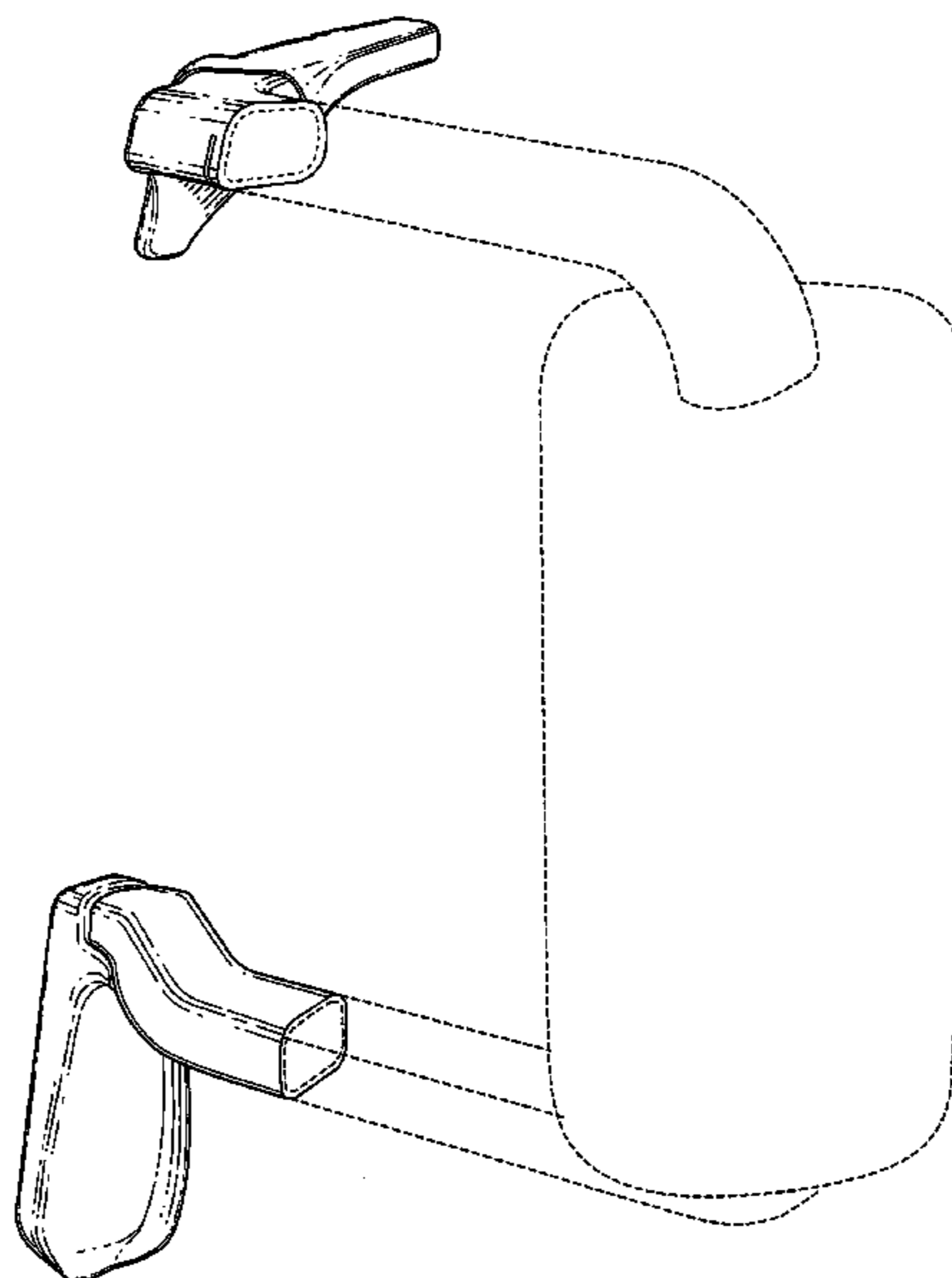
FIG. 7 is a top plan view of the mounting bracket and support arm design; and,

FIG. 8 is a bottom plan view of the mounting bracket and support arm design.

In the drawings, the broken lines depict a portion of a support arm and the interior boundary of a mounting bracket and support arm for exterior vehicle mirror assembly and form no part of the claimed design.

* cited by examiner

1 Claim, 8 Drawing Sheets



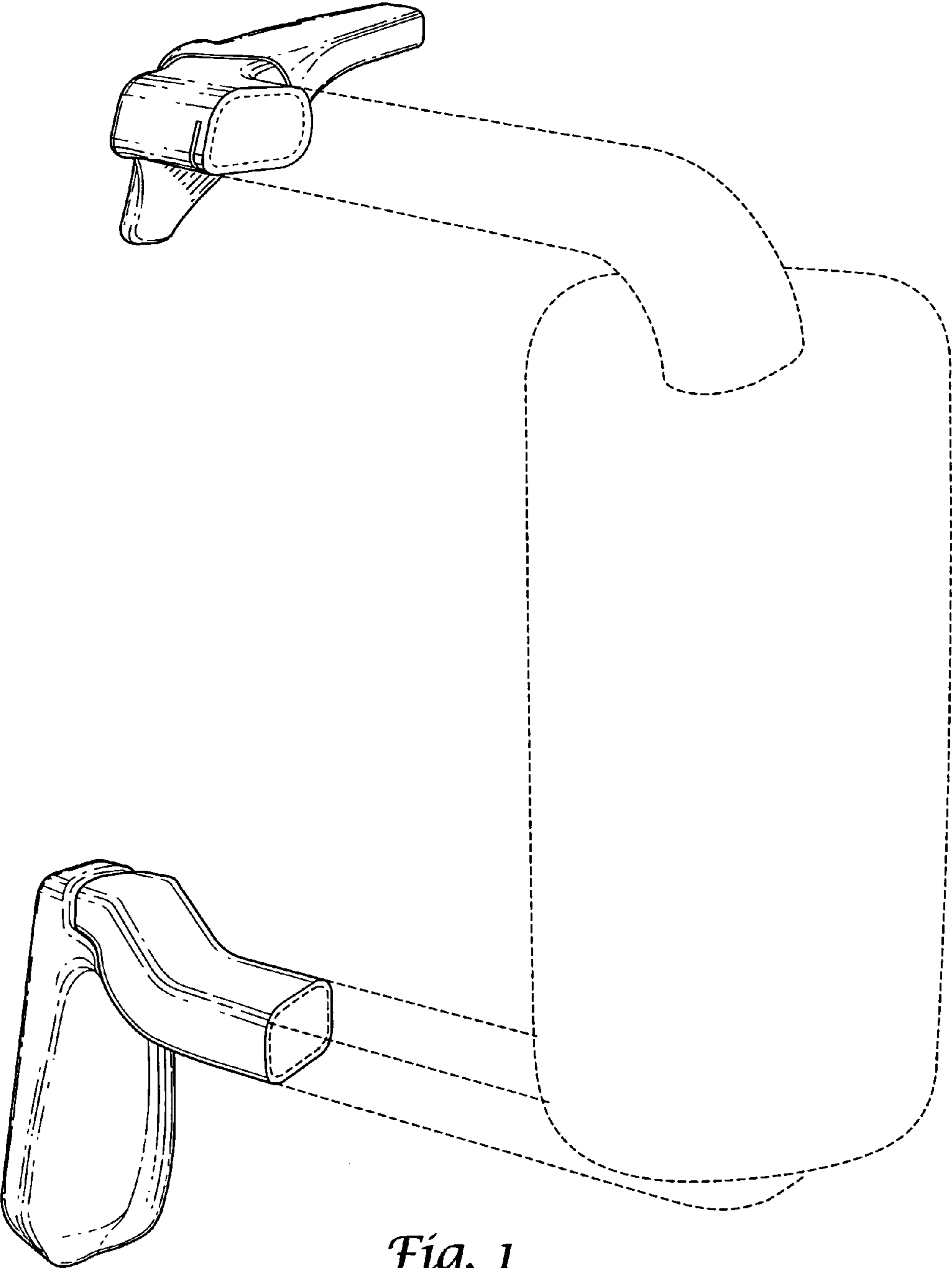


Fig. 1

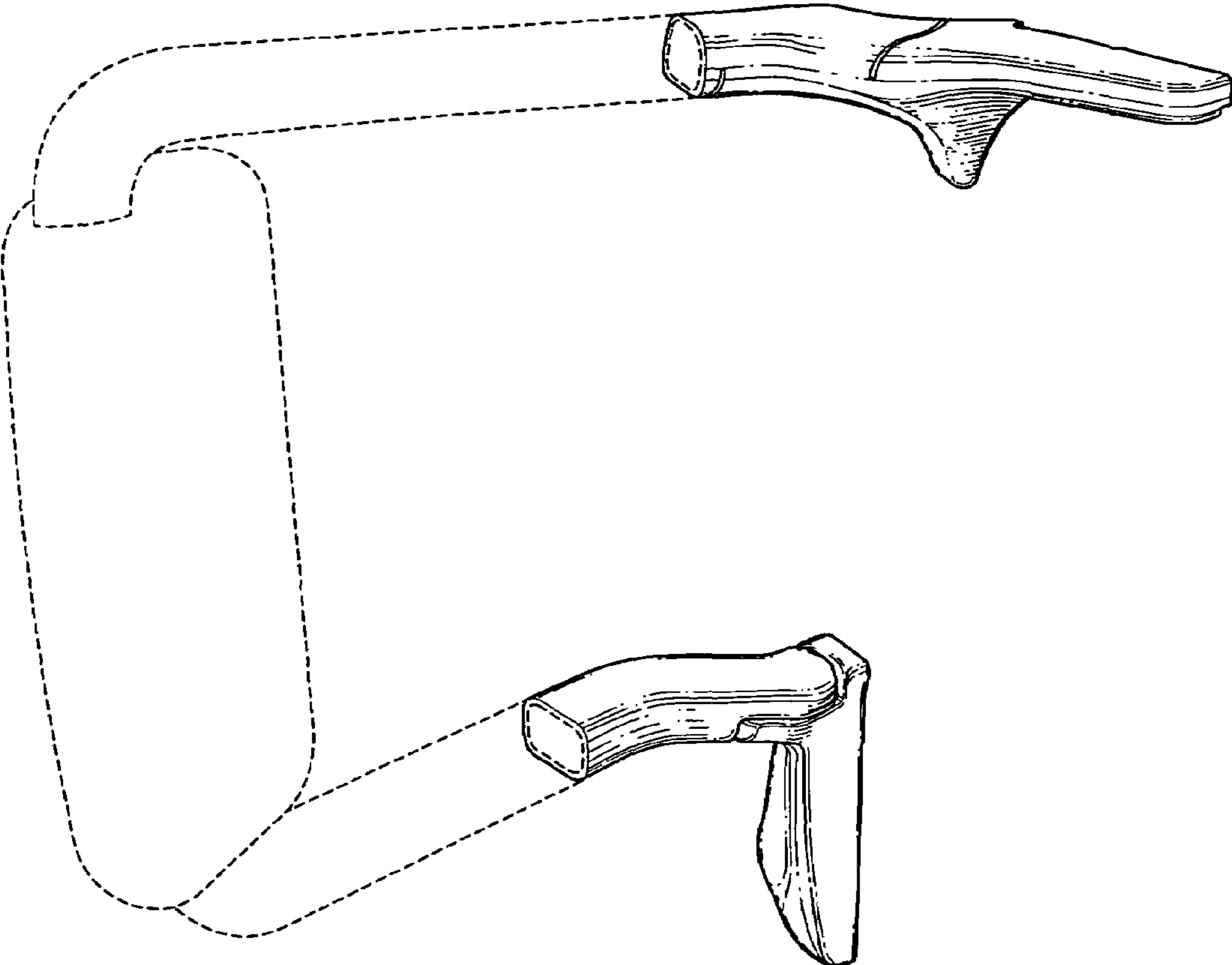


Fig. 2

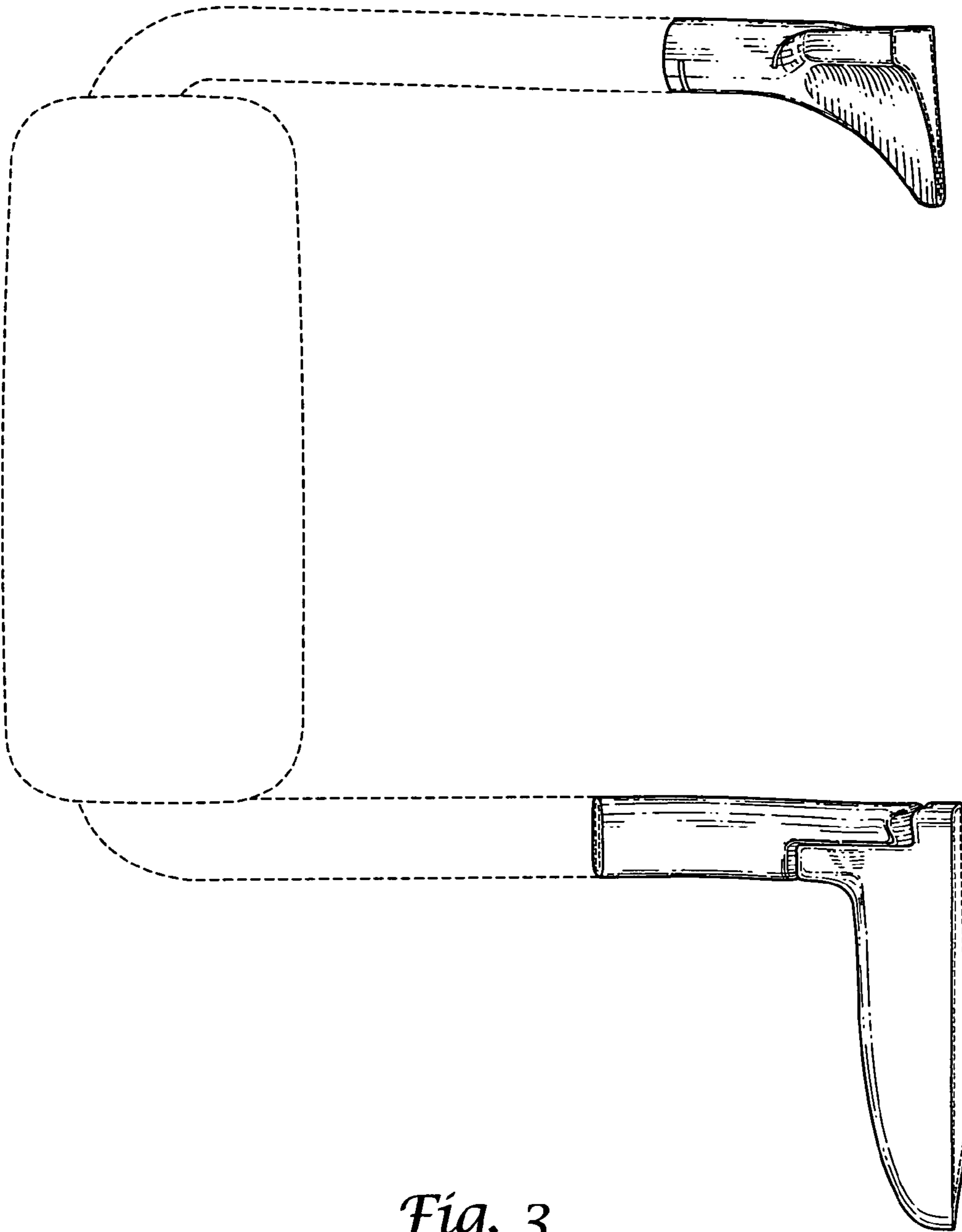


Fig. 3

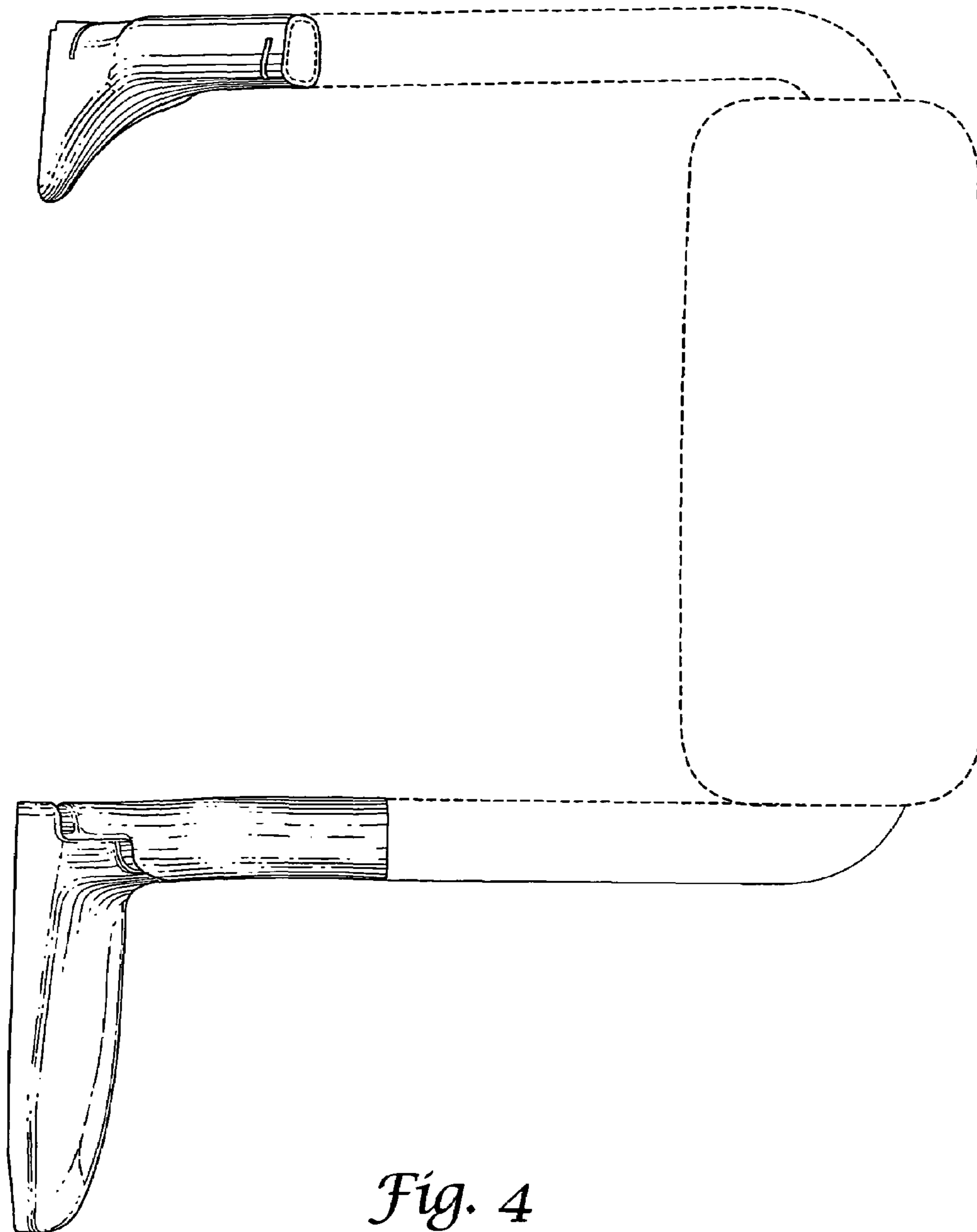


Fig. 4

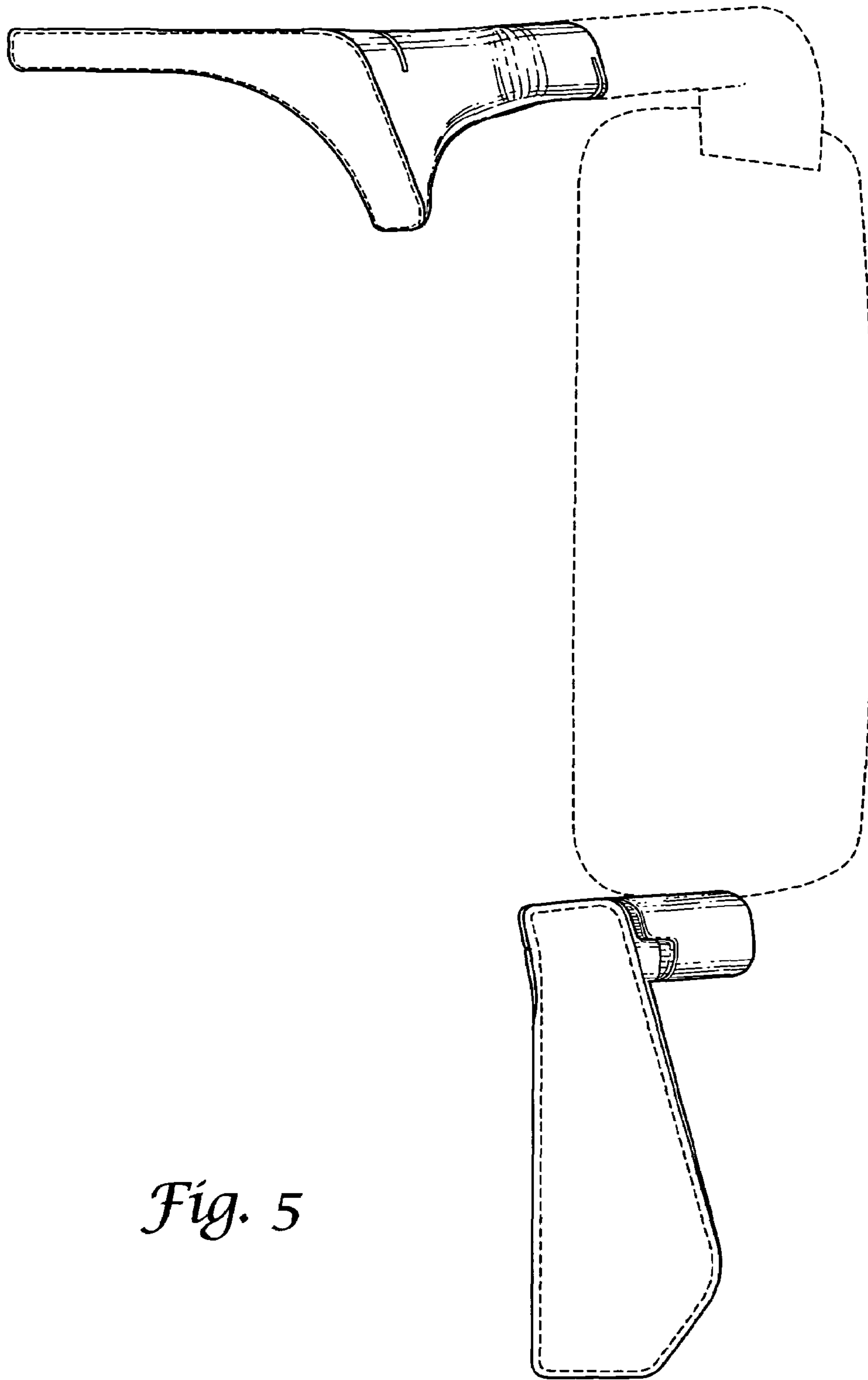


Fig. 5

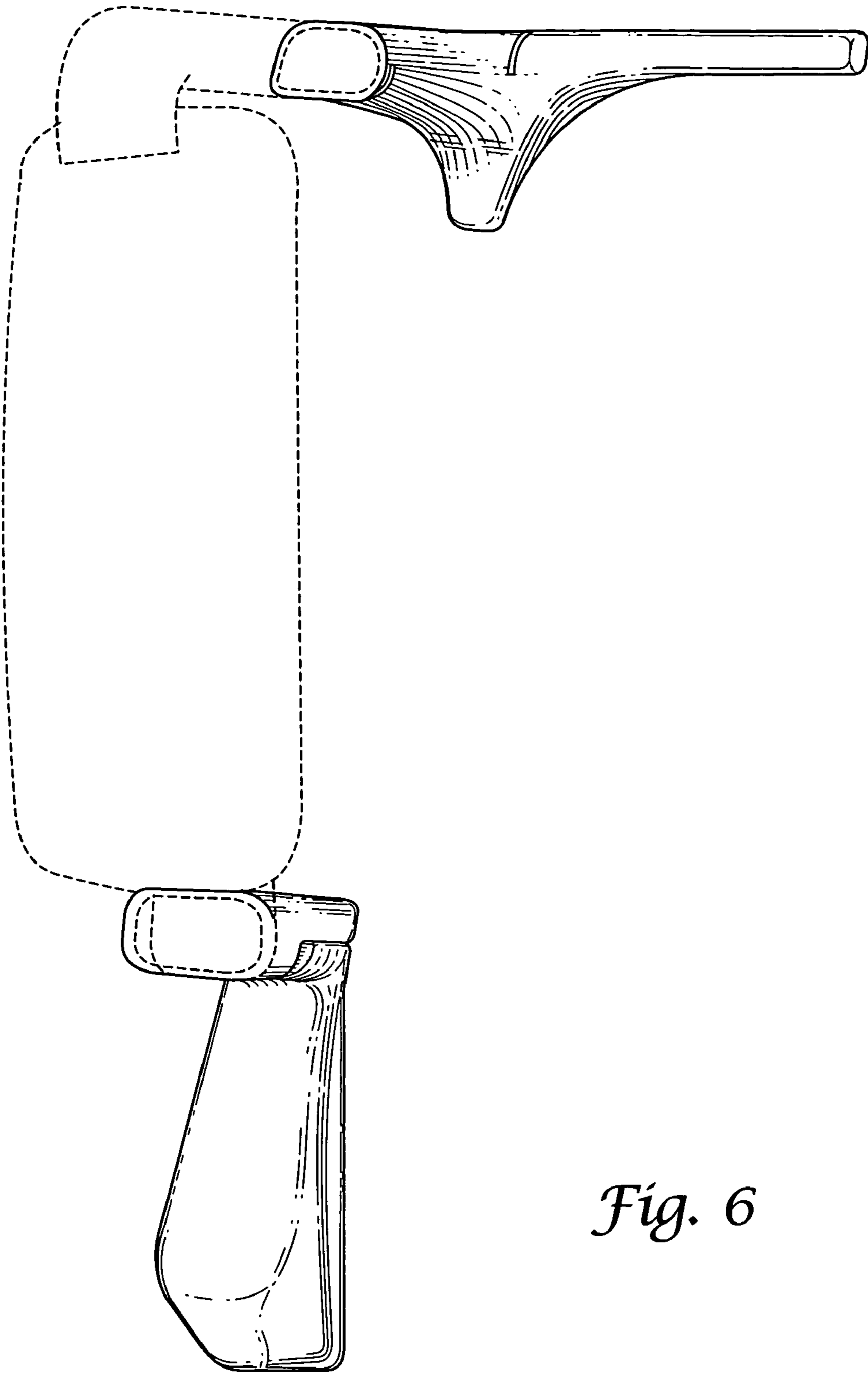


Fig. 6

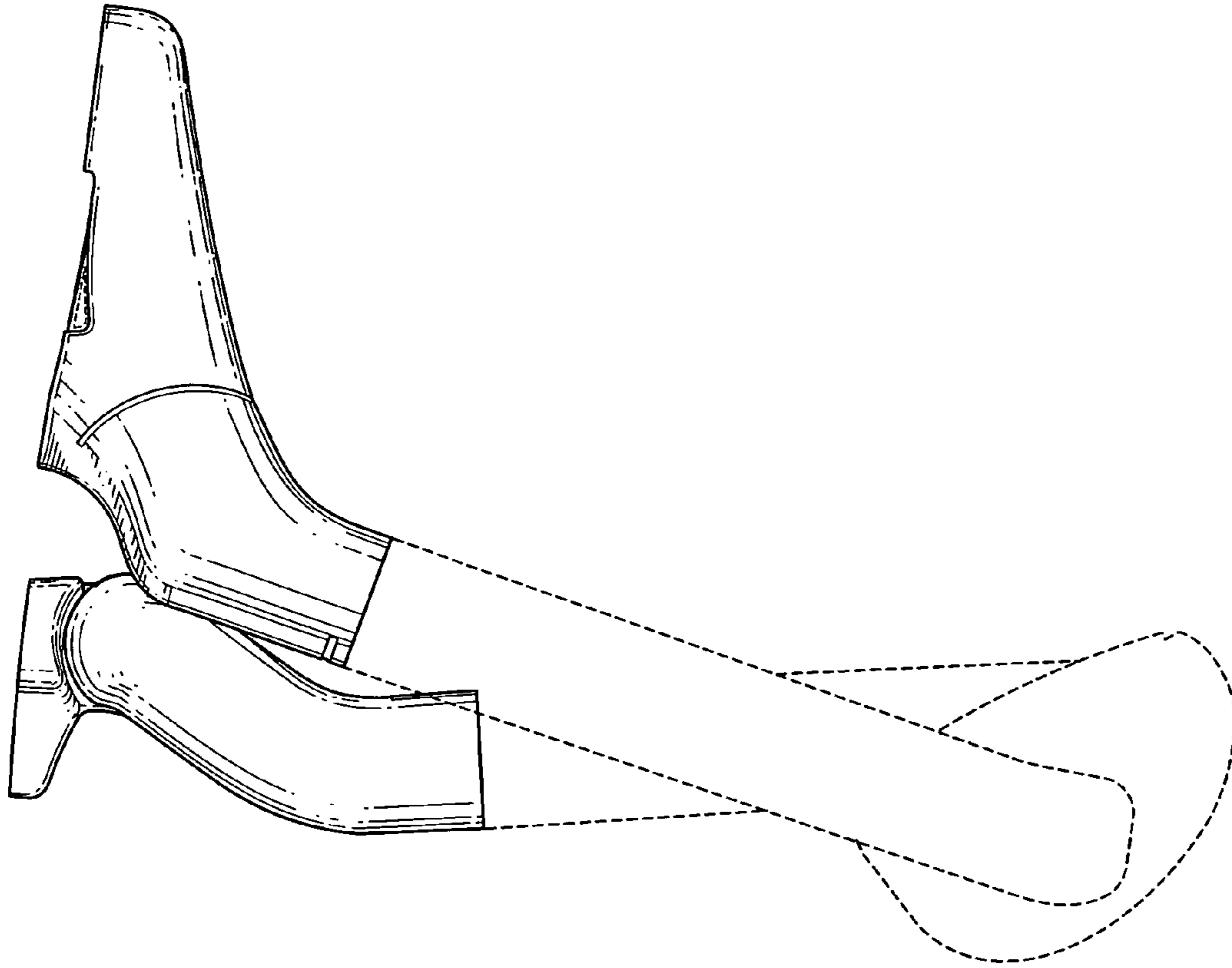


Fig. 7

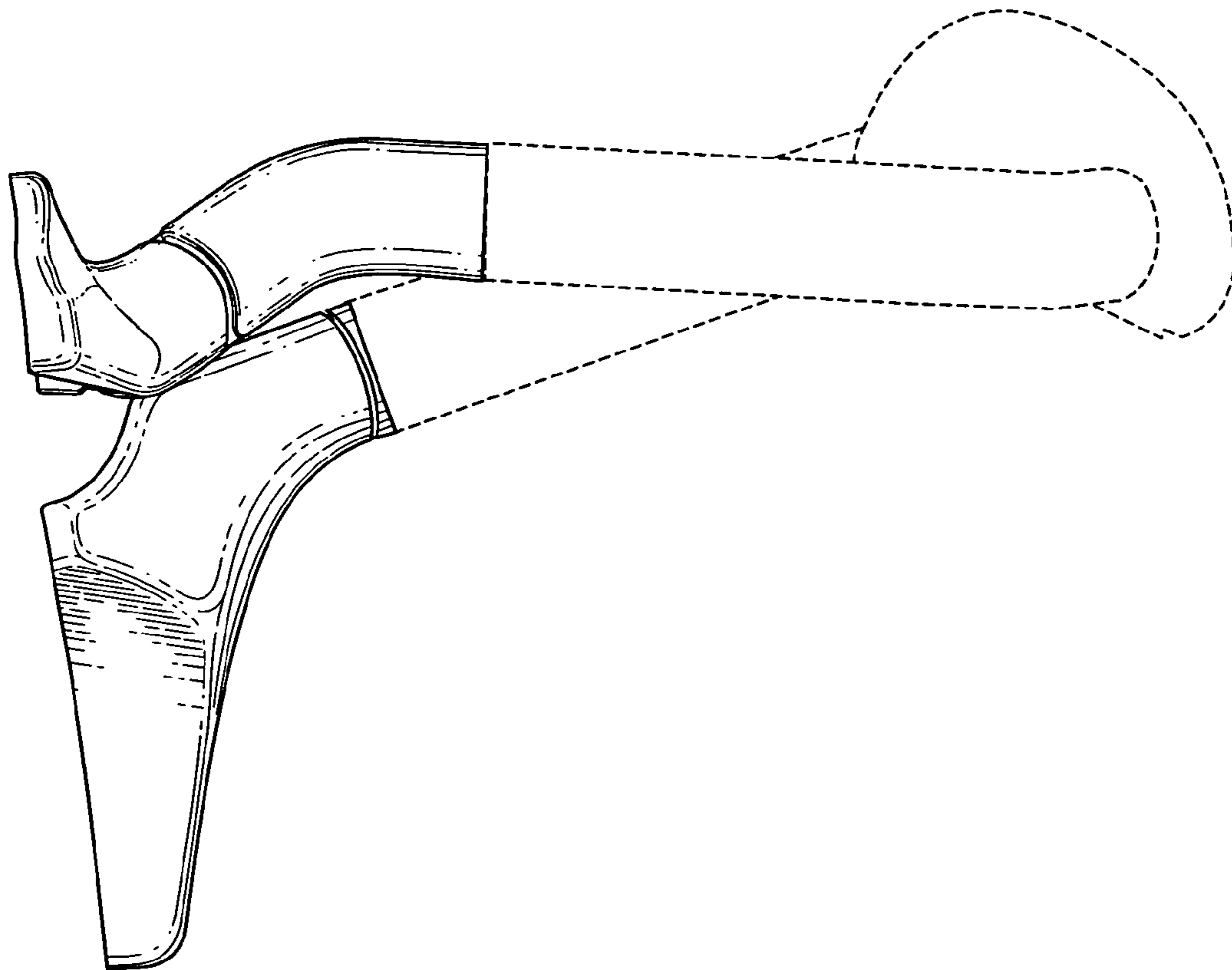


Fig. 8