



US00D581326S

(12) **United States Design Patent**
Opfer et al.

(10) **Patent No.:** **US D581,326 S**
(45) **Date of Patent:** **** Nov. 25, 2008**

(54) **VEHICLE HOOD**

(75) Inventors: **John G Opfer**, Rochester, MI (US);
Timothy W Anness, Rochester Hills, MI (US)

(73) Assignee: **Chrysler LLC**, Auburn Hills, MI (US)

(**) Term: **14 Years**

(21) Appl. No.: **29/299,115**

(22) Filed: **Dec. 19, 2007**

Related U.S. Application Data

(63) Continuation-in-part of application No. 29/283,207, filed on Aug. 8, 2007, now Pat. No. Des. 574,298, which is a continuation of application No. 29/249,266, filed on Sep. 29, 2006, now Pat. No. Des. 553,049.

(51) **LOC (8) Cl.** **12-16**

(52) **U.S. Cl.** **D12/173**

(58) **Field of Classification Search** D12/173,
D12/196, 86, 90-92; 180/69.21, 69.2, 69.22
See application file for complete search history.

(56) **References Cited**

U.S. PATENT DOCUMENTS

D545,250 S * 6/2007 Angelo et al. D12/173
D555,553 S * 11/2007 Kaoud et al. D12/173
D555,554 S * 11/2007 Bucher et al. D12/173

D560,575 S * 1/2008 Simons et al. D12/173
D563,292 S * 3/2008 Platto et al. D12/173
D563,293 S * 3/2008 Pfeiffer et al. D12/173
D572,639 S * 7/2008 Hayashi et al. D12/173

* cited by examiner

Primary Examiner—Melody N Brown

(74) *Attorney, Agent, or Firm*—Ralph E. Smith

(57) **CLAIM**

The ornamental design for a vehicle hood, as shown and described.

DESCRIPTION

FIG. 1 is a front perspective view of a vehicle hood showing my new design;

FIG. 2 is a rear perspective view thereof;

FIG. 3 is a front view thereof;

FIG. 4 is a top plan view thereof;

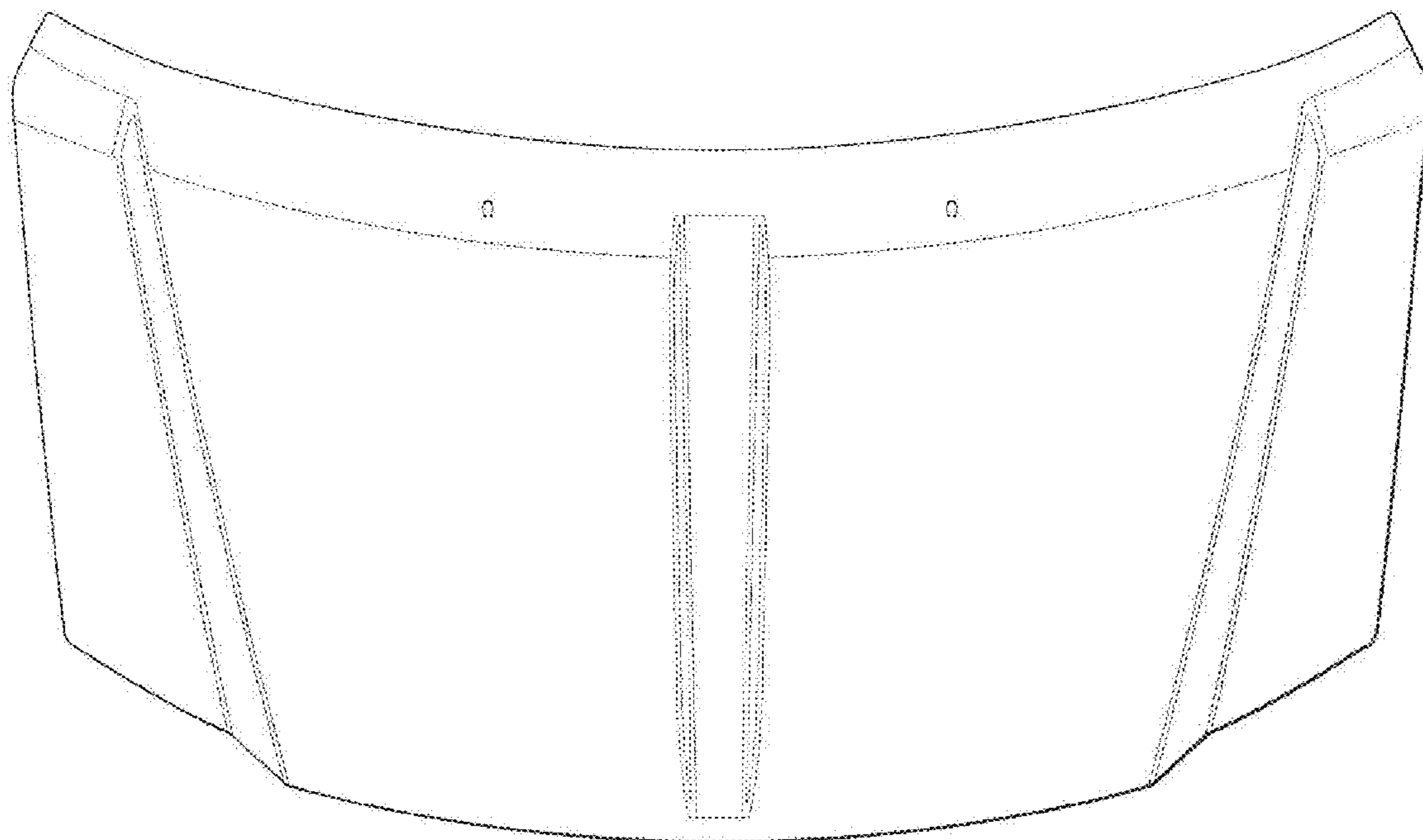
FIG. 5 is a side view thereof (the opposite side being a mirror image thereof);

FIG. 6 is a rear view thereof; and,

FIG. 7 is a bottom plan view thereof.

It will be understood that the broken lines presented in the drawings are for illustration only, and do not form a part of the claimed design.

1 Claim, 7 Drawing Sheets



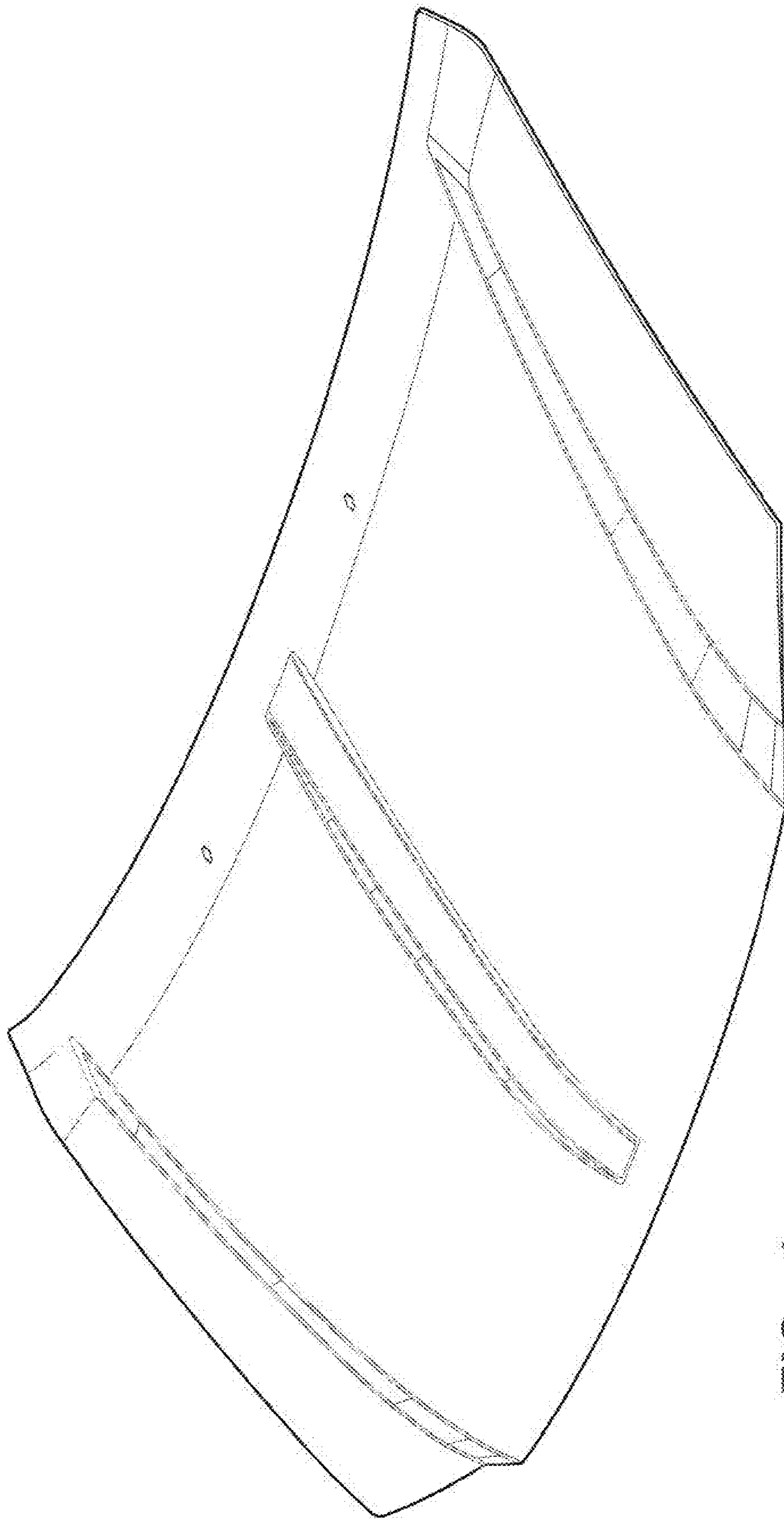


FIG - 1

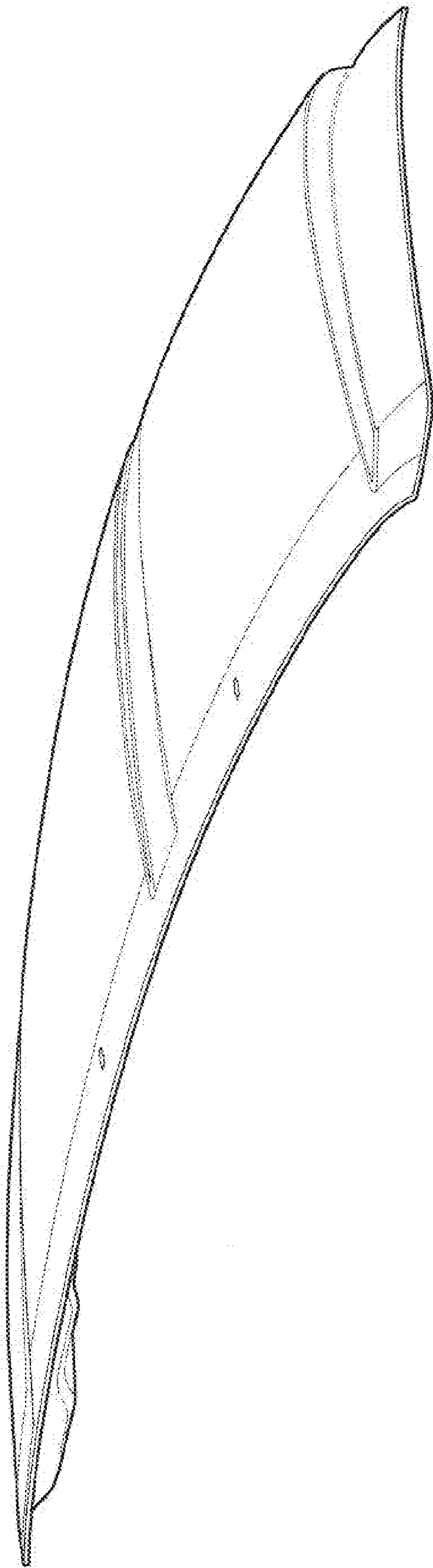


FIG - 2

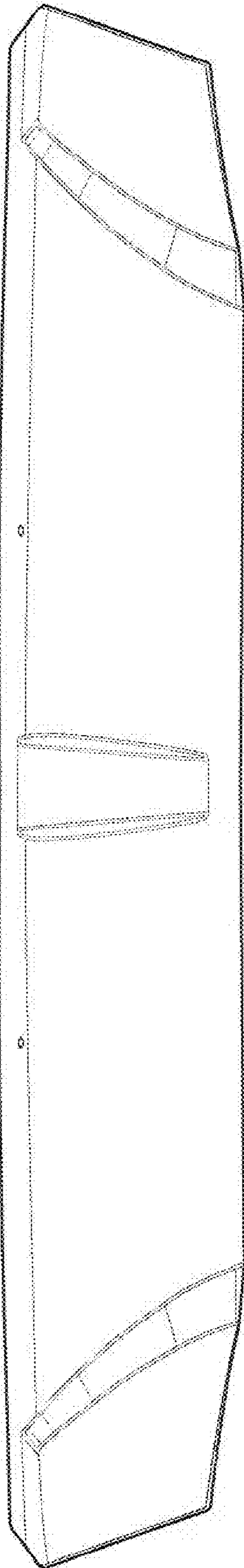


FIG - 3

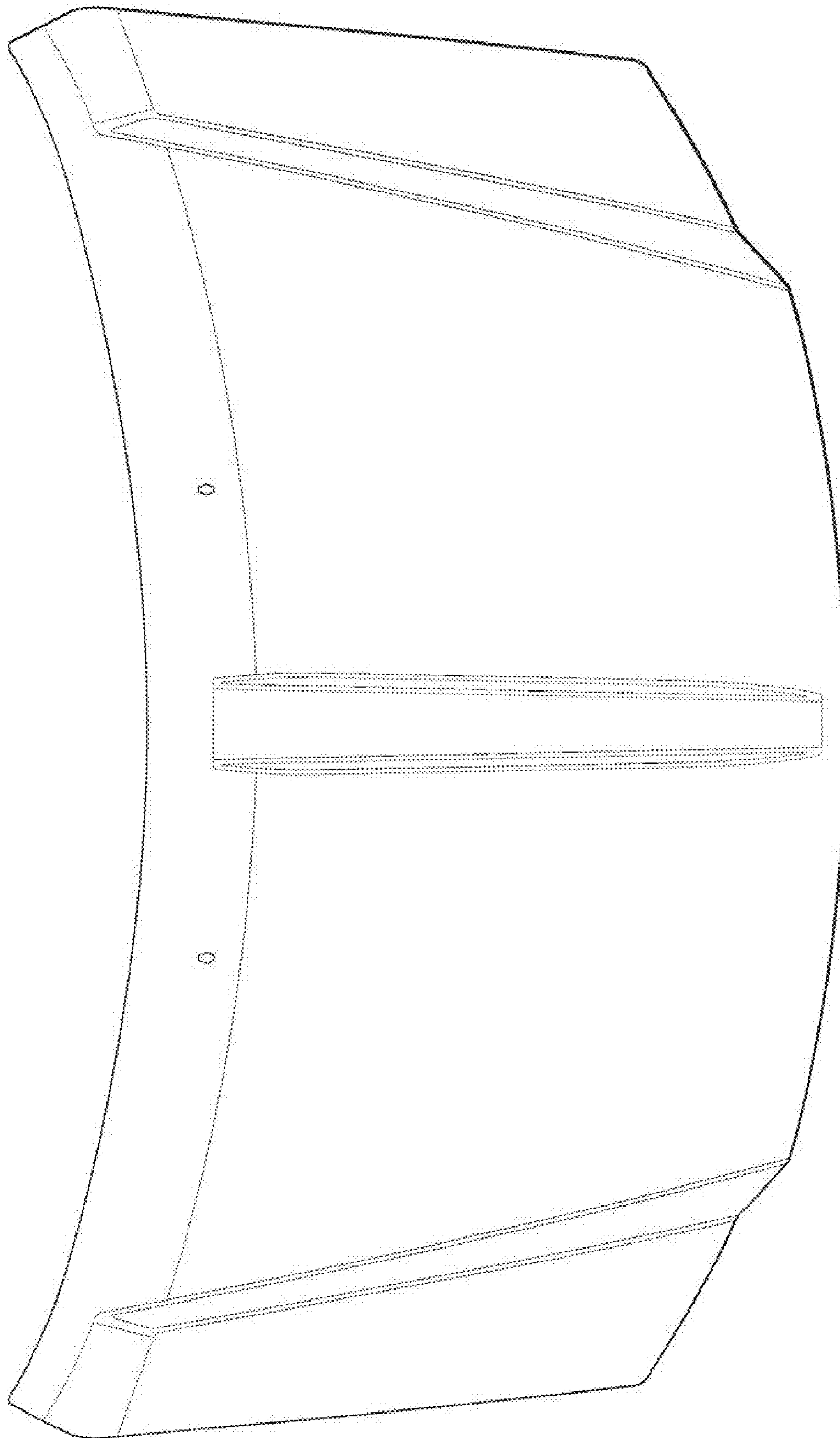


FIG - 4

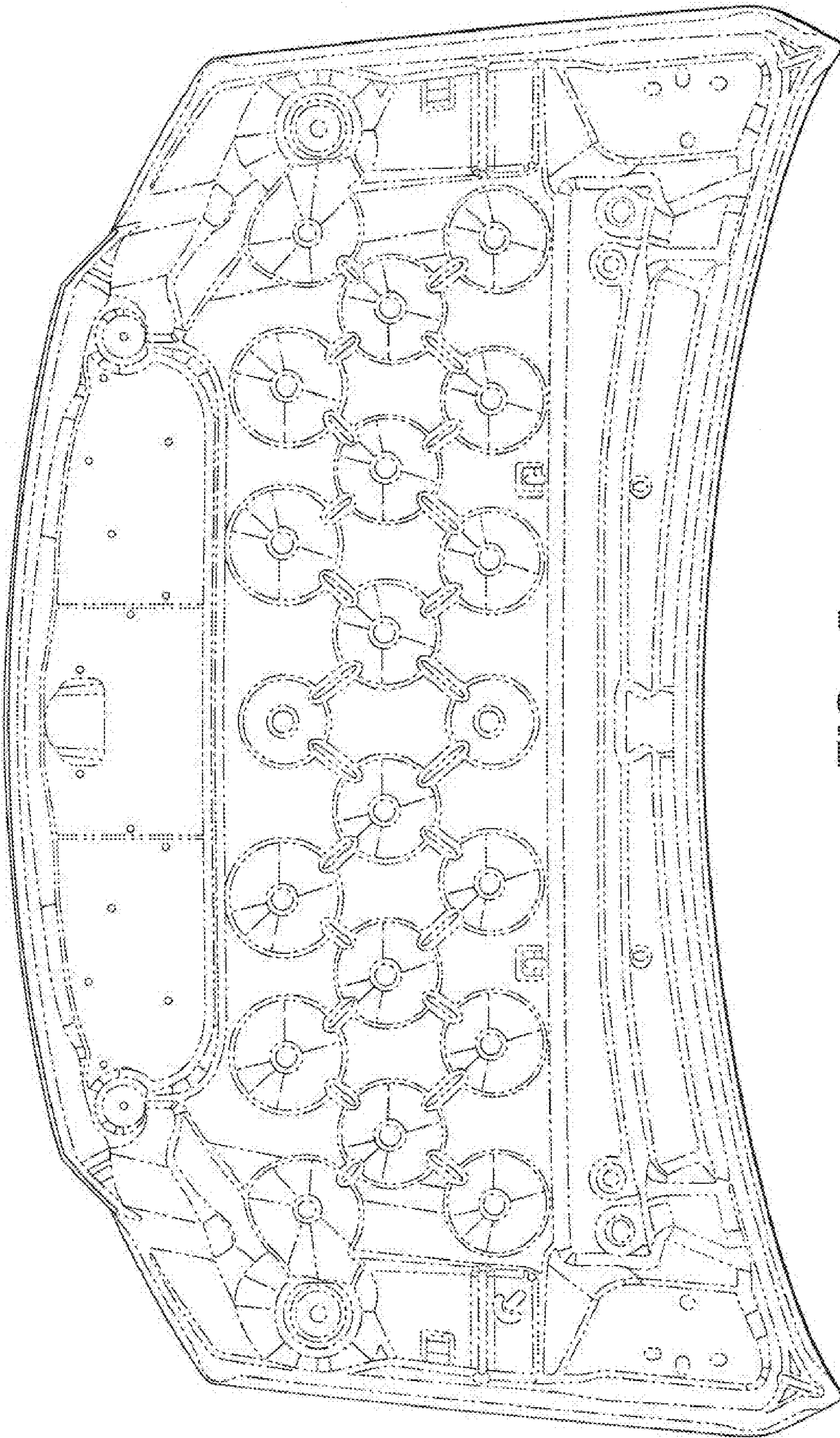


FIG - 5

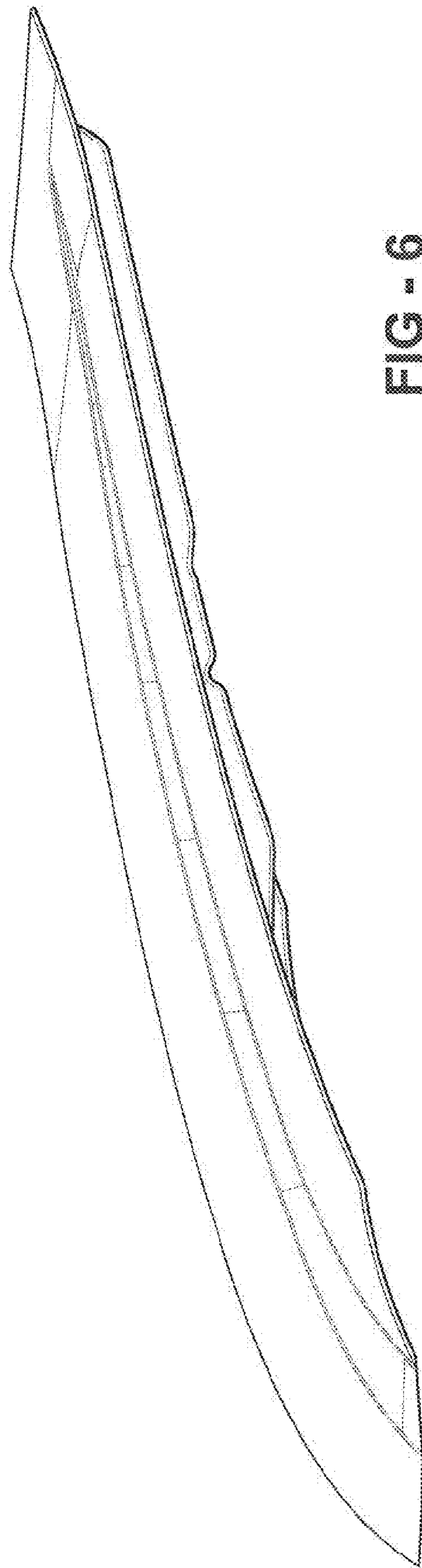


FIG - 6

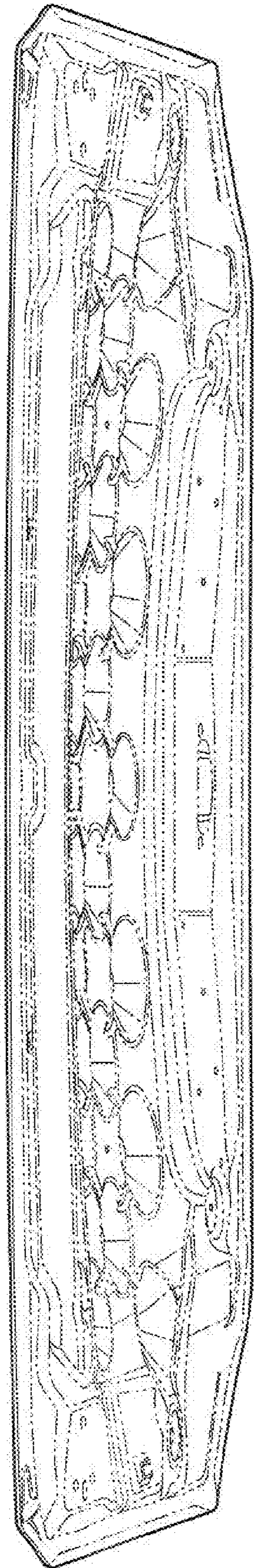


FIG - 7