



US00D581324S

(12) **United States Design Patent**  
**Fonk et al.**

(10) **Patent No.:** **US D581,324 S**  
(45) **Date of Patent:** **\*\* Nov. 25, 2008**

(54) **TOW HOOK**

(75) Inventors: **Michael Edward Fonk**, Harrison Township, MI (US); **Mark David Belanger**, Berkley, MI (US); **Gary Michael Ray**, Royal Oak, MI (US); **Mark Clayton Johnston**, Grosse Pointe Woods, MI (US)

(73) Assignee: **Machining Enterprise Inc.**, Warren, MI (US)

(\*\*) Term: **14 Years**

(21) Appl. No.: **29/249,692**

(22) Filed: **Oct. 18, 2006**

(51) **LOC (8) Cl.** ..... **12-16**

(52) **U.S. Cl.** ..... **D12/162**

(58) **Field of Classification Search** ..... D12/106,  
D12/161, 162, 199, 400; 280/402-404, 405.1,  
280/450.2, 407, 407.1, 416.2, 455.1, 482,  
280/491.5, 504, 511-513; 182/1, 23, 26,  
182/33.3, 33.4, 33.5, 54, 89, 90, 120, 132,  
182/173; 248/690, 691; D8/367  
See application file for complete search history.

(56) **References Cited**

**U.S. PATENT DOCUMENTS**

5,054,806	A	10/1991	Chester	
D354,429	S *	1/1995	McNaughton	D8/367
D368,246	S	3/1996	Hinnant et al.	
D390,096	S *	2/1998	Thompson	D8/367
5,716,066	A	2/1998	Chou et al.	
D407,298	S *	3/1999	Hemphill	D8/367
D431,180	S *	9/2000	Gray, Jr.	D8/382

6,457,734	B1	10/2002	Hansen	
6,672,609	B2	1/2004	Pierman et al.	
6,685,212	B1	2/2004	Penlerick et al.	
D502,089	S *	2/2005	Hung	D8/367
6,896,281	B2	5/2005	Lenzen, Jr. et al.	
6,902,183	B2	6/2005	Rodgers	
D535,111	S *	1/2007	Giampavolo	D6/328
2002/0105163	A1 *	8/2002	Pierman et al.	280/504
2004/0090041	A1 *	5/2004	Lenzen et al.	280/491.5
2005/0104325	A1 *	5/2005	Rodgers	280/504
2006/0087101	A1 *	4/2006	Yon	280/504

\* cited by examiner

*Primary Examiner*—Doris Clark

*Assistant Examiner*—Michael A. Pratt

(74) *Attorney, Agent, or Firm*—Brooks Kushman P.C.

(57) **CLAIM**

The ornamental design for a tow hook, as shown and described.

**DESCRIPTION**

FIG. 1 is a front right quartering perspective view of the invention;

FIG. 2 is a left front quartering perspective view thereof;

FIG. 3 is a left side elevational view thereof;

FIG. 4 is a front elevational view of the invention;

FIG. 5 is a right side elevational view thereof;

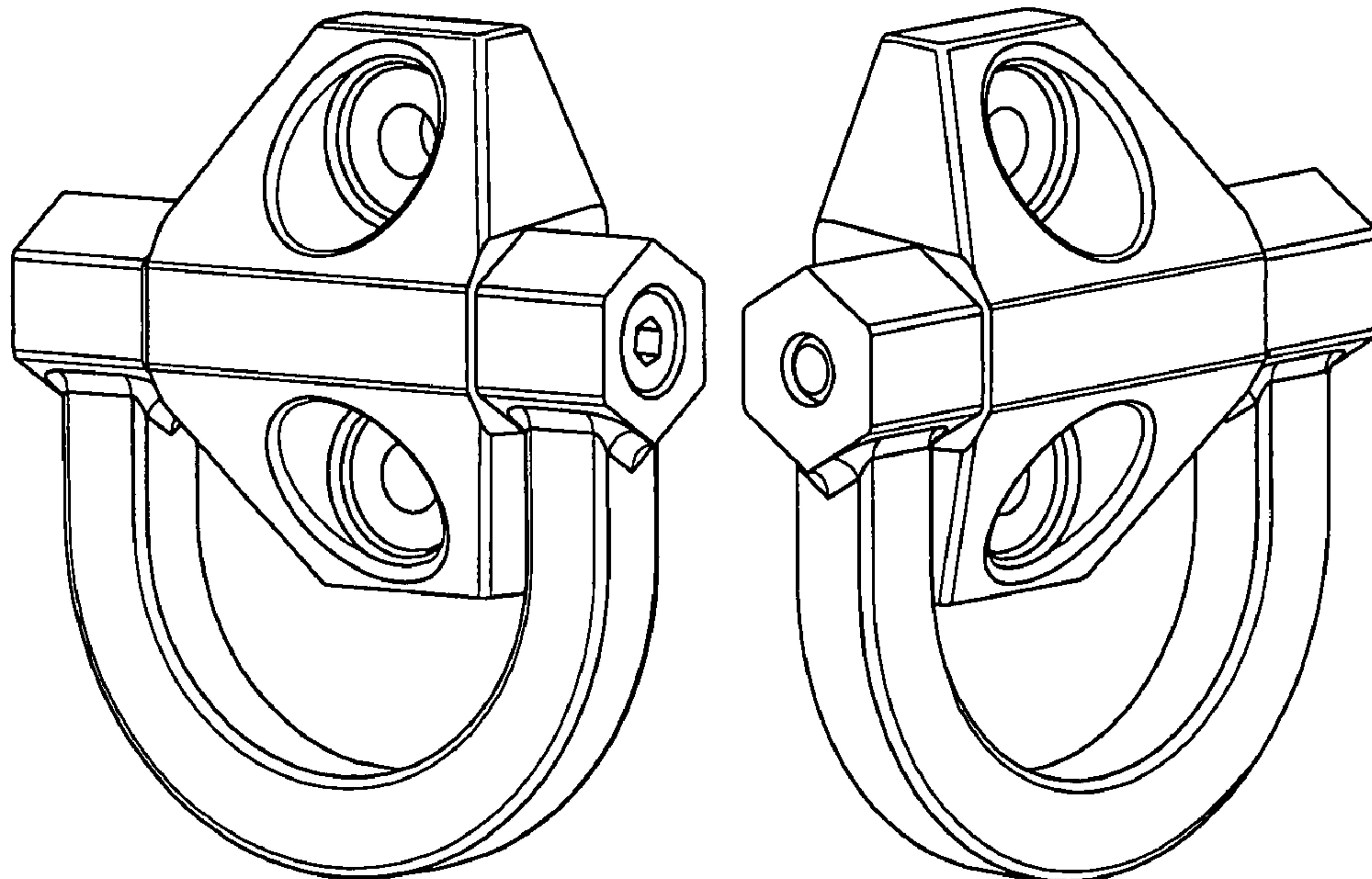
FIG. 6 is a top plan view thereof;

FIG. 7 is a rear elevational view thereof; and,

FIG. 8 is a view of the underside of the invention.

Any broken lines are for illustrative purposes only and form no part of the claimed design.

**1 Claim, 2 Drawing Sheets**



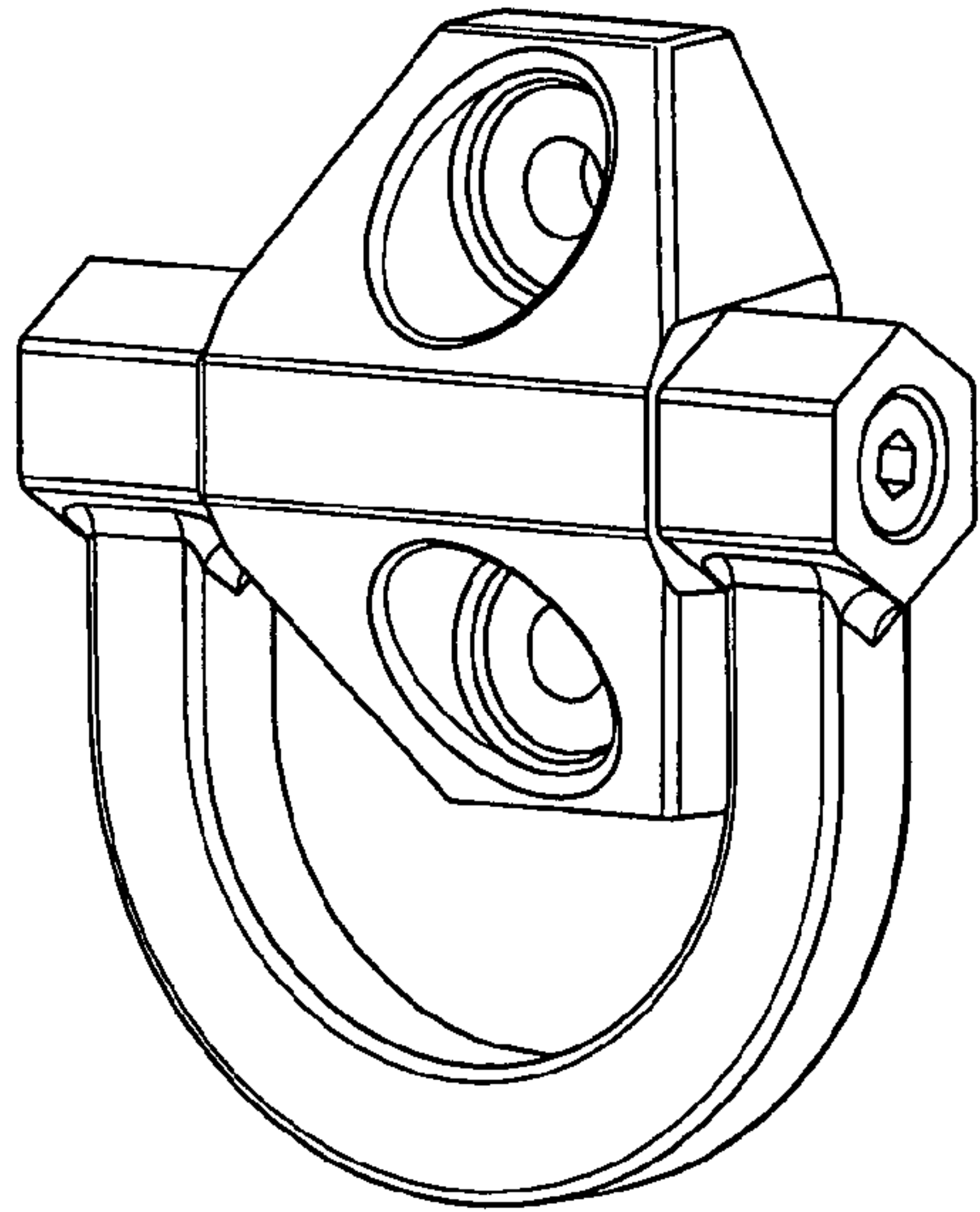


FIG. - 1

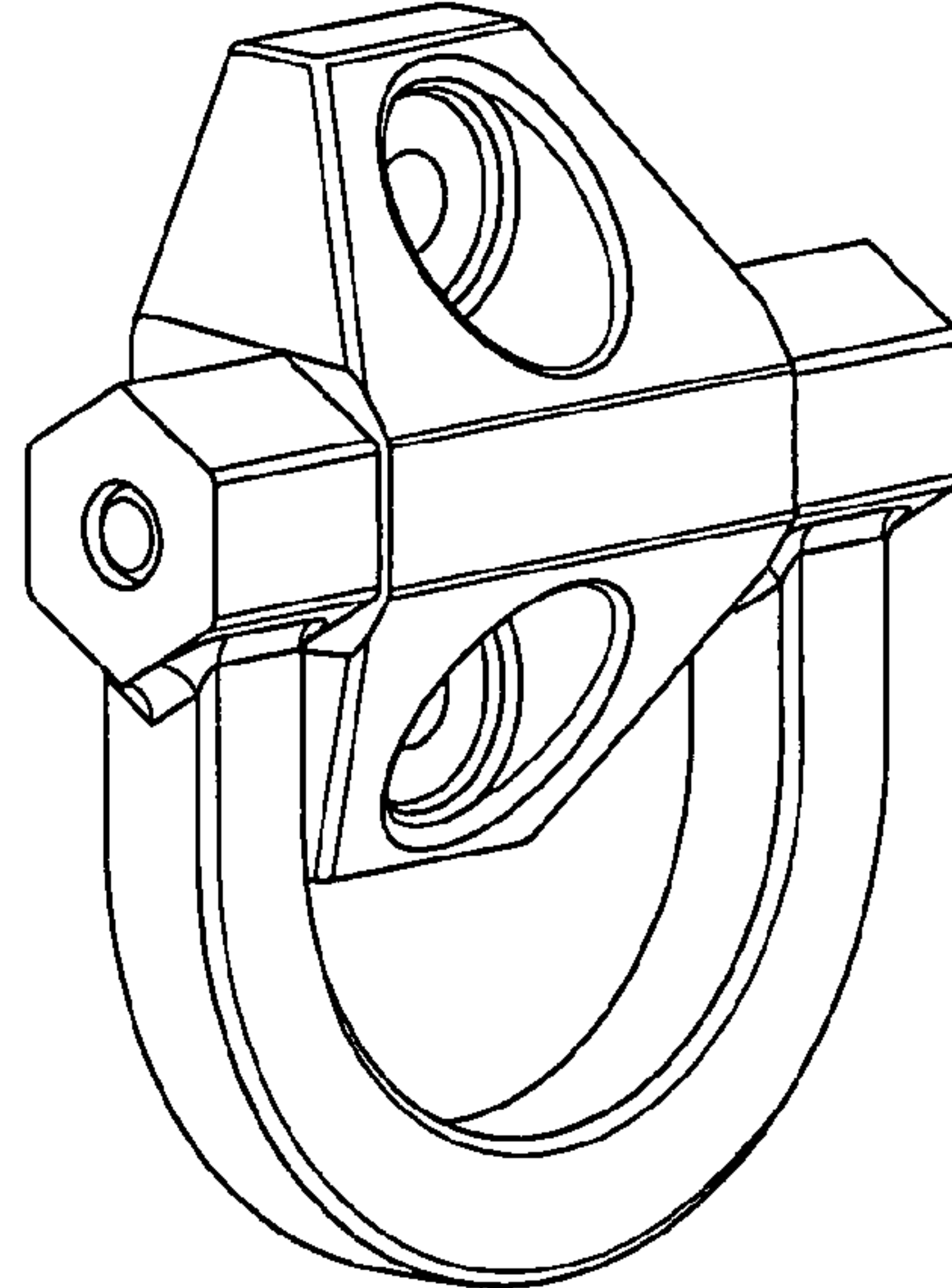


FIG. - 2

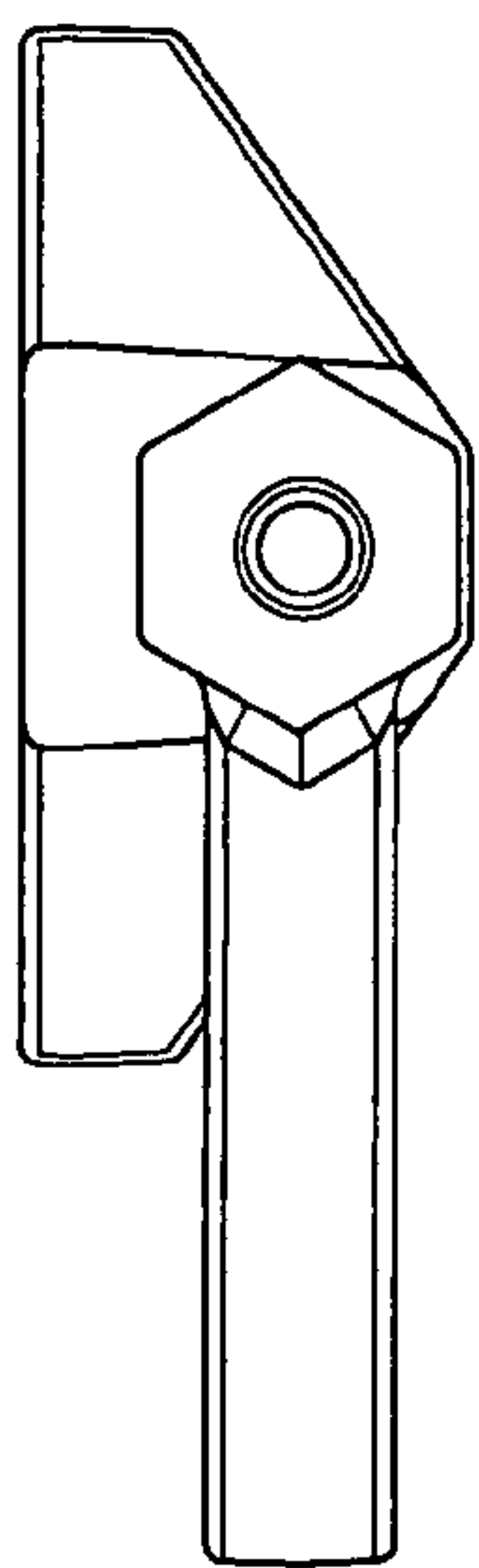


FIG. - 3

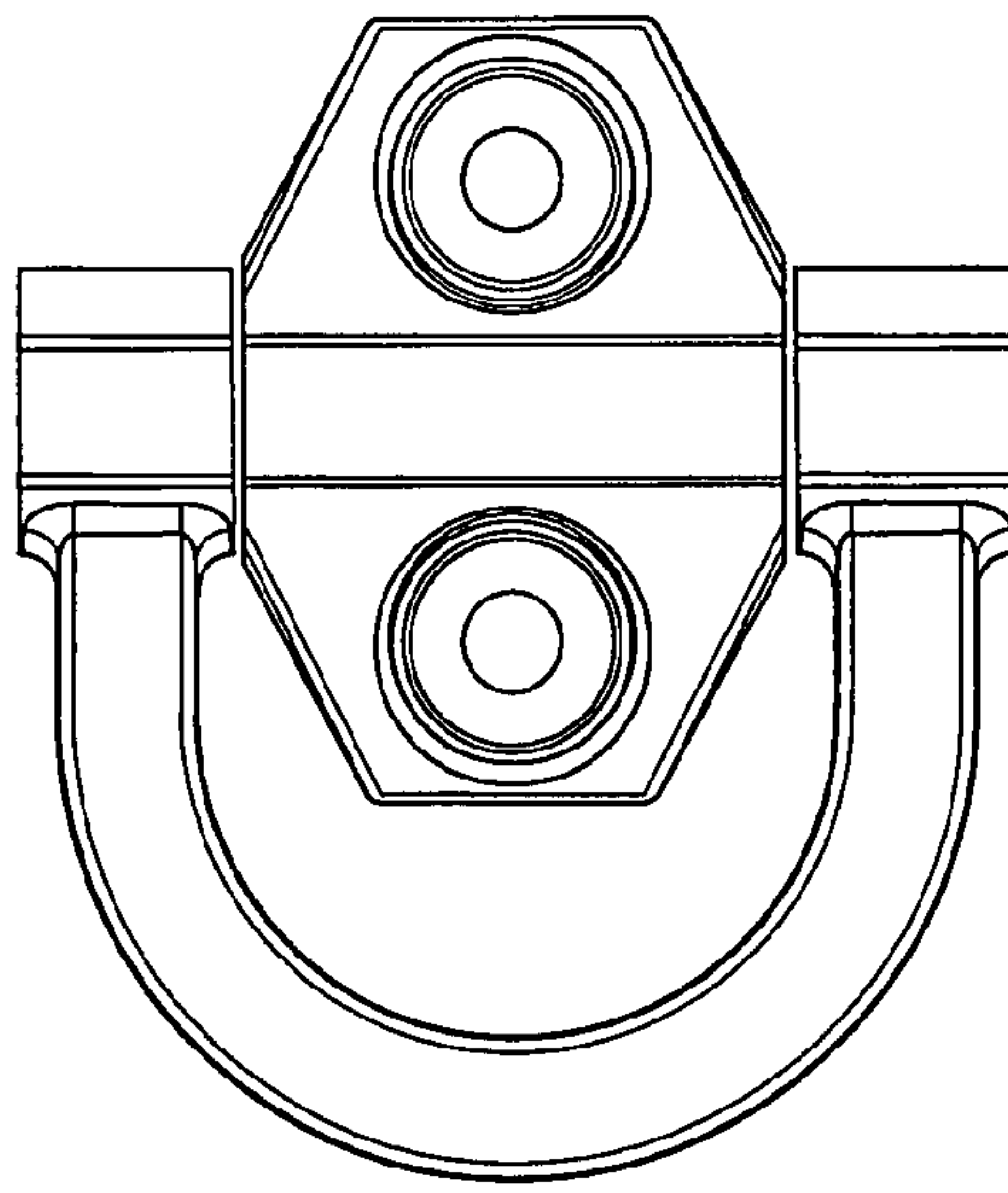


FIG. - 4

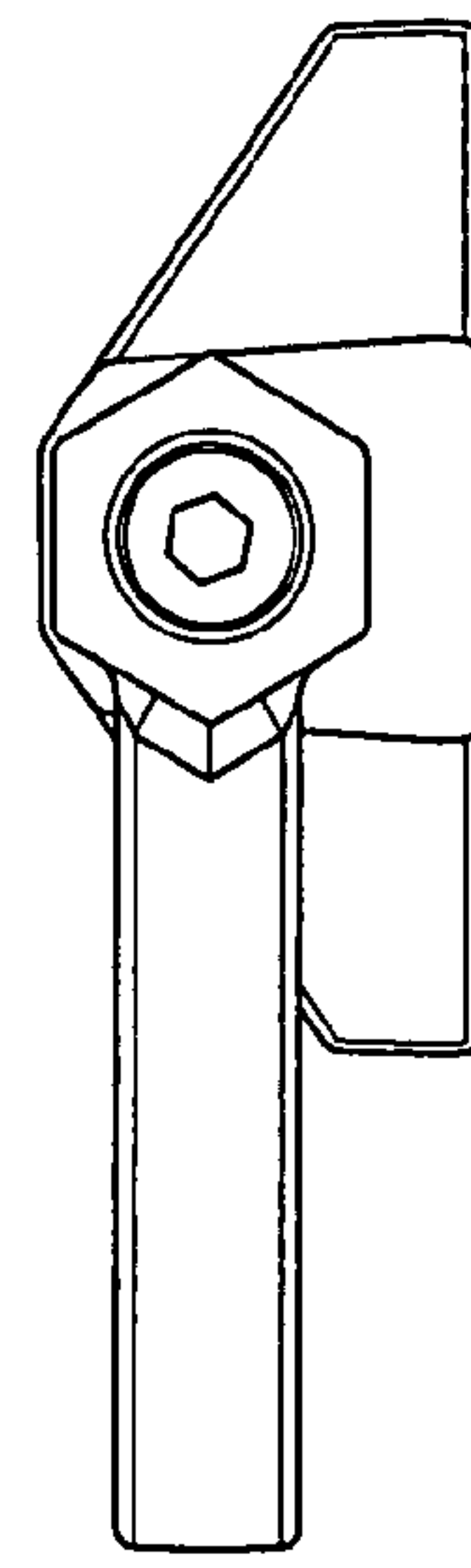


FIG. - 5

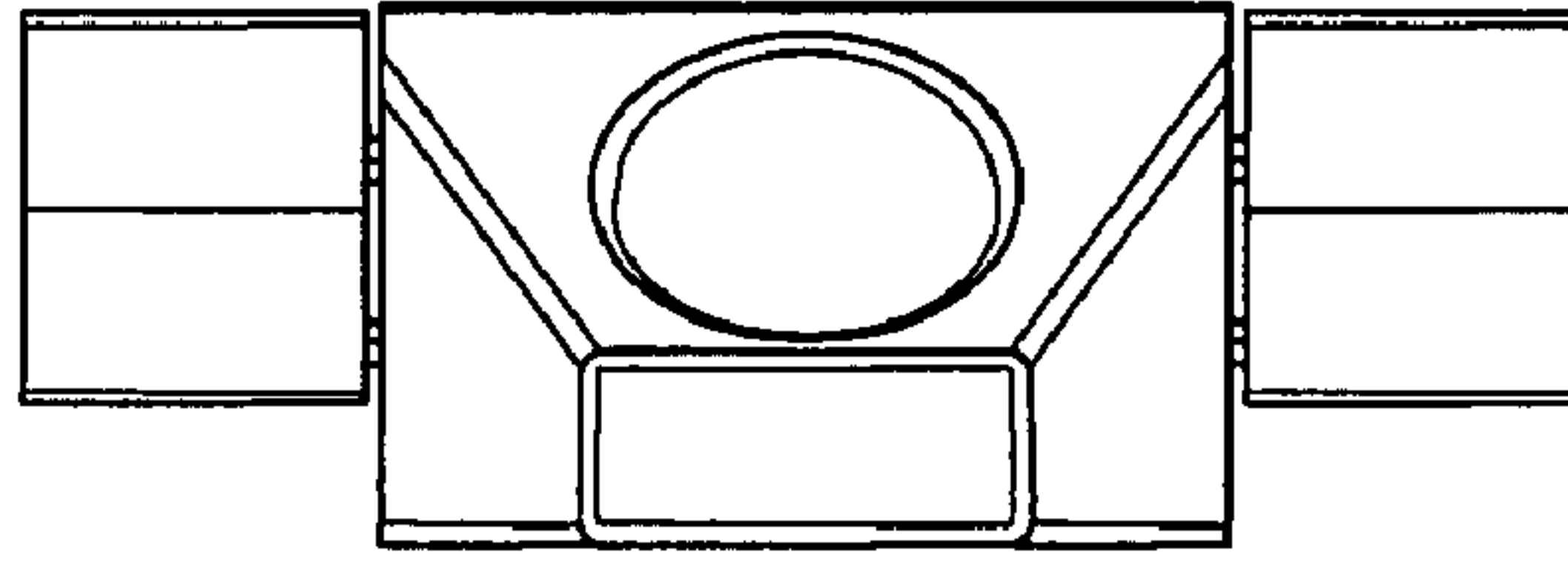


FIG. - 6

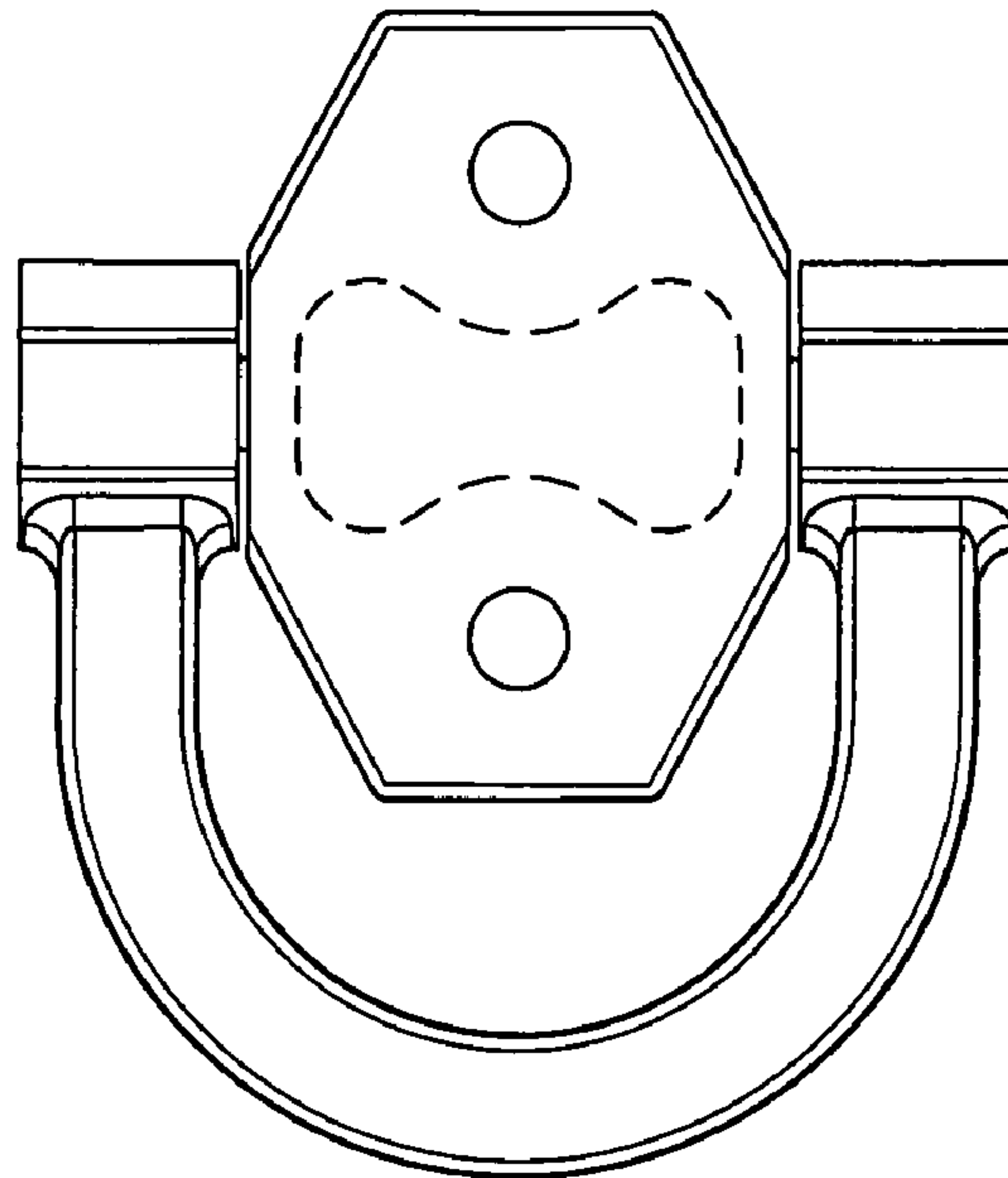


FIG. - 7

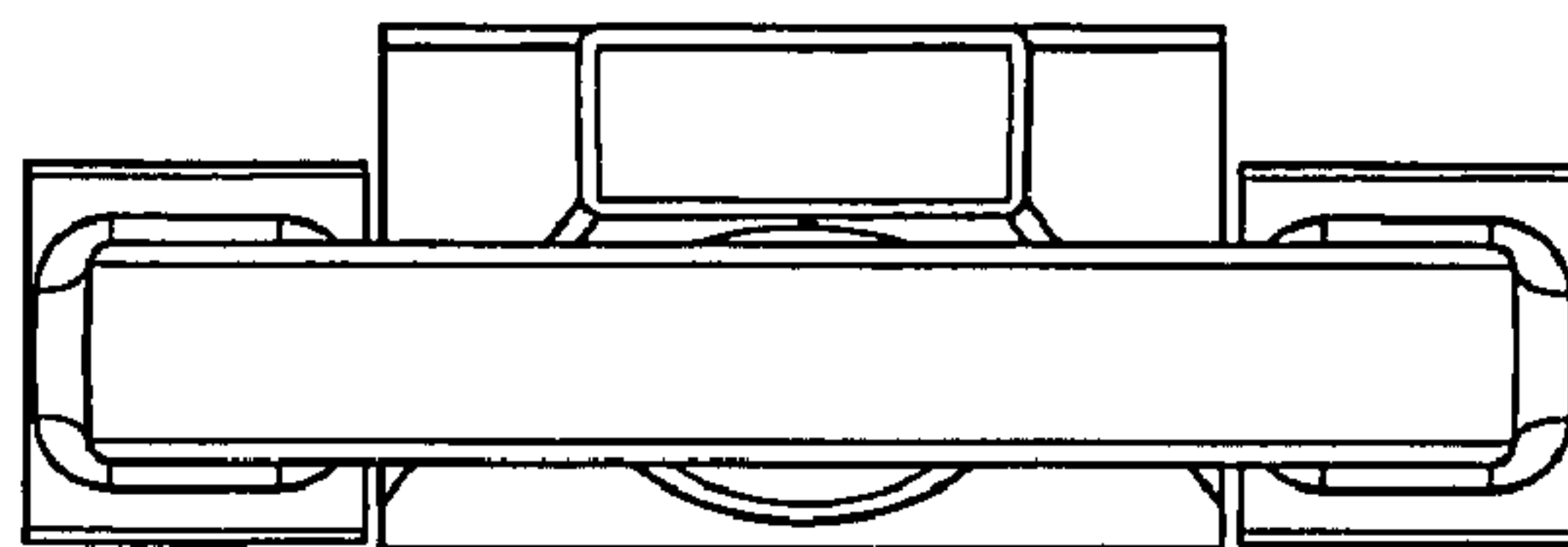


FIG. - 8