



US00D581321S

(12) **United States Design Patent**
Pang

(10) **Patent No.:** **US D581,321 S**

(45) **Date of Patent:** **** Nov. 25, 2008**

(54) **REAR DERAILEUR**

(75) Inventor: **Song Nguan Pang**, Jurong Town (SG)

(73) Assignee: **Shimano (Singapore) Pte., Ltd**, Jurong Town (SG)

(**) Term: **14 Years**

(21) Appl. No.: **29/297,007**

(22) Filed: **Nov. 1, 2007**

(51) **LOC (8) Cl.** **12-11**

(52) **U.S. Cl.** **D12/124**

(58) **Field of Classification Search** D12/111,
D12/124; 474/78-82

See application file for complete search history.

(56) **References Cited**

U.S. PATENT DOCUMENTS

| | | | | | |
|------------|---|---------|----------|-------|---------|
| D432,056 S | * | 10/2000 | Hanamura | | D12/124 |
| D534,102 S | * | 12/2006 | Arakawa | | D12/124 |
| D534,103 S | * | 12/2006 | Arakawa | | D12/124 |
| D534,460 S | * | 1/2007 | Hanamura | | D12/124 |
| D536,282 S | * | 2/2007 | Masui | | D12/124 |
| D551,131 S | * | 9/2007 | Arakawa | | D12/124 |

* cited by examiner

Primary Examiner—Ian Simmons

Assistant Examiner—Linda Brooks

(74) *Attorney, Agent, or Firm*—Global IP Counselors, LLP

(57) **CLAIM**

The ornamental design for a rear derailleur, as shown and described.

DESCRIPTION

FIG. 1 is an outside perspective view of a rear derailleur in accordance with my new design;

FIG. 2 is an outside elevational view of the rear derailleur in accordance with my new design;

FIG. 3 is a front end elevational view of the rear derailleur in accordance with my new design;

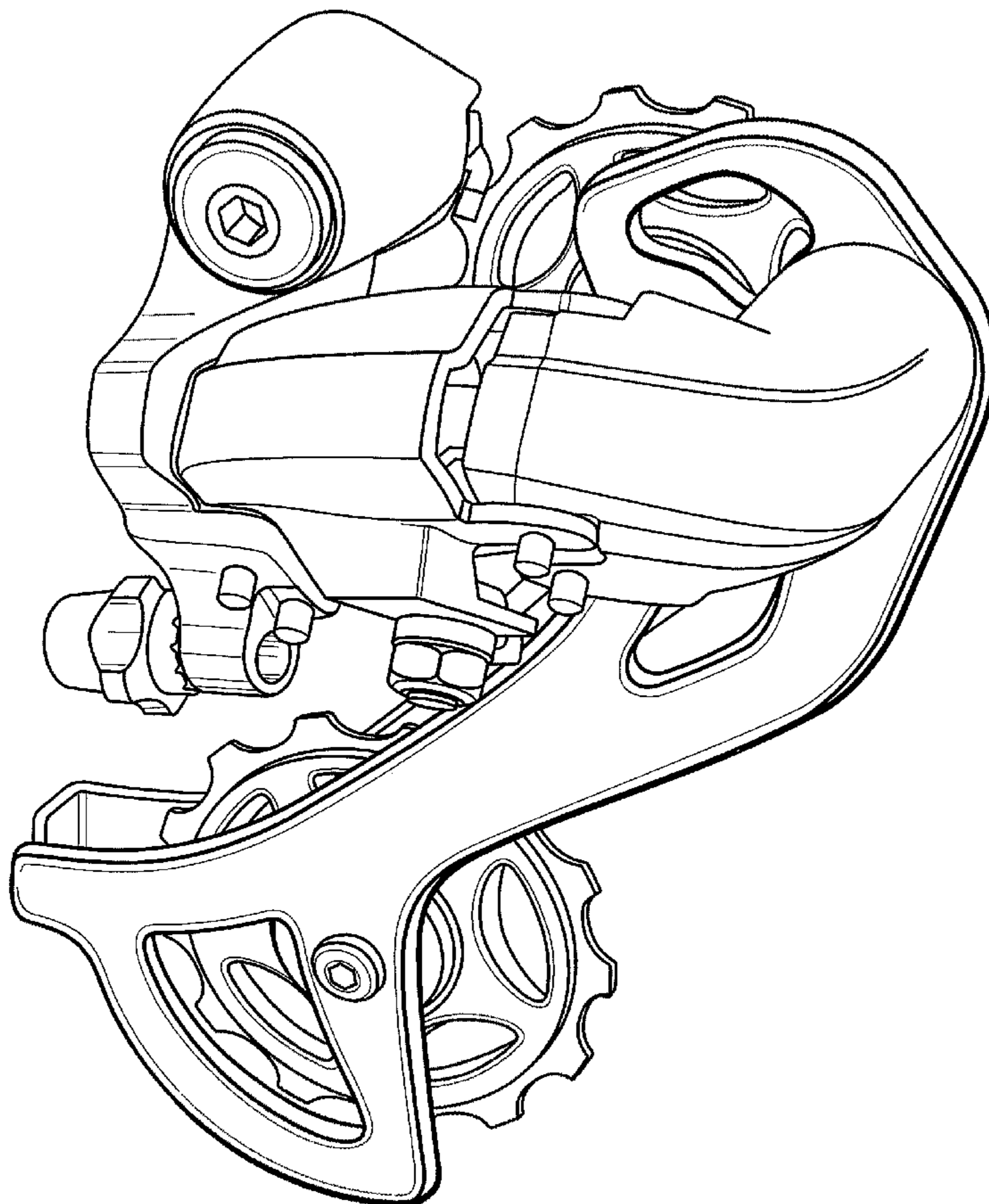
FIG. 4 is an inside elevational view of the rear derailleur in accordance with my new design;

FIG. 5 is a rear end elevational view of the rear derailleur in accordance with my new design;

FIG. 6 is a top plan view of the rear derailleur in accordance with my new design; and,

FIG. 7 is a bottom plan view of the rear derailleur in accordance with my new design.

1 Claim, 7 Drawing Sheets



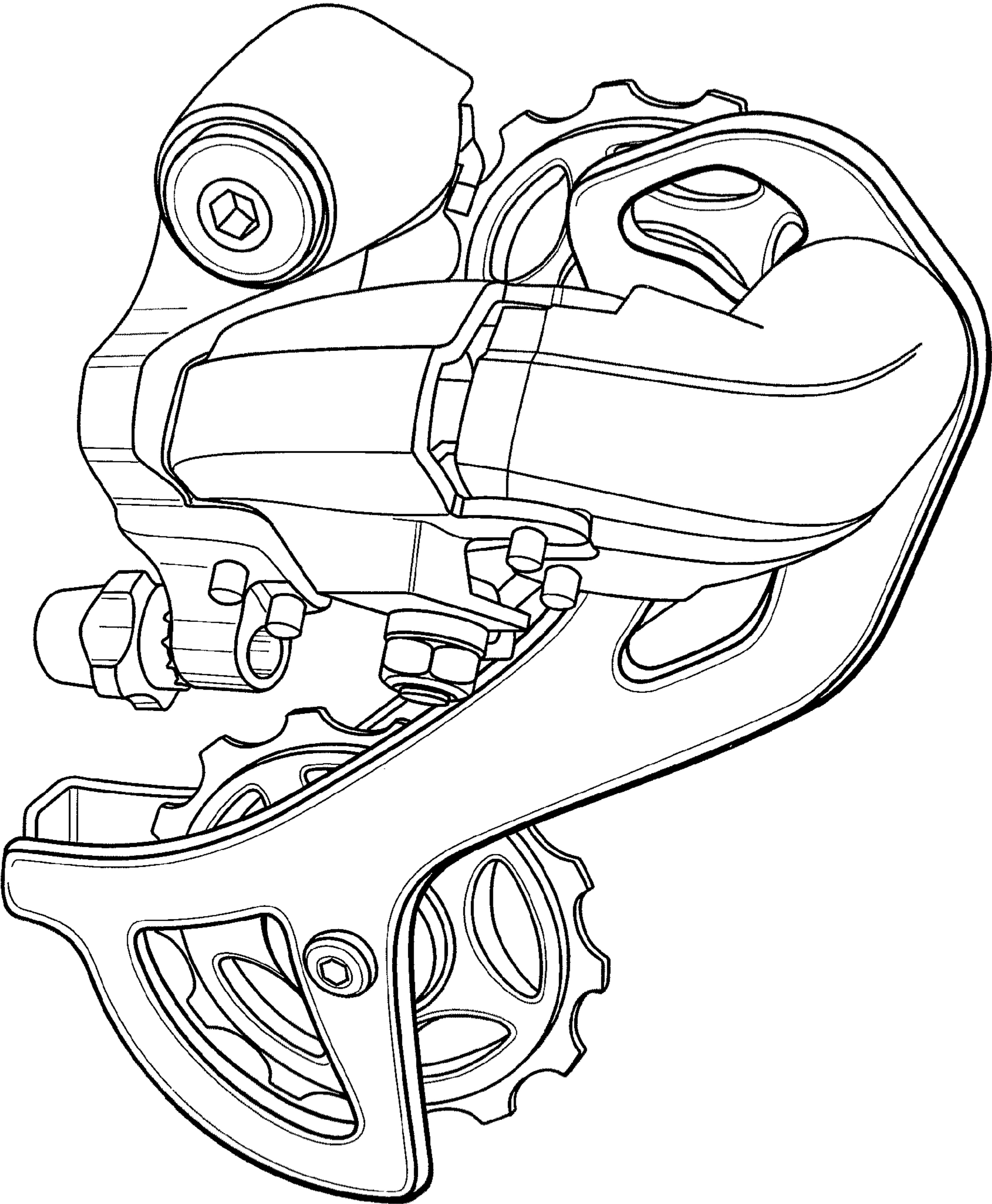


Fig. 1

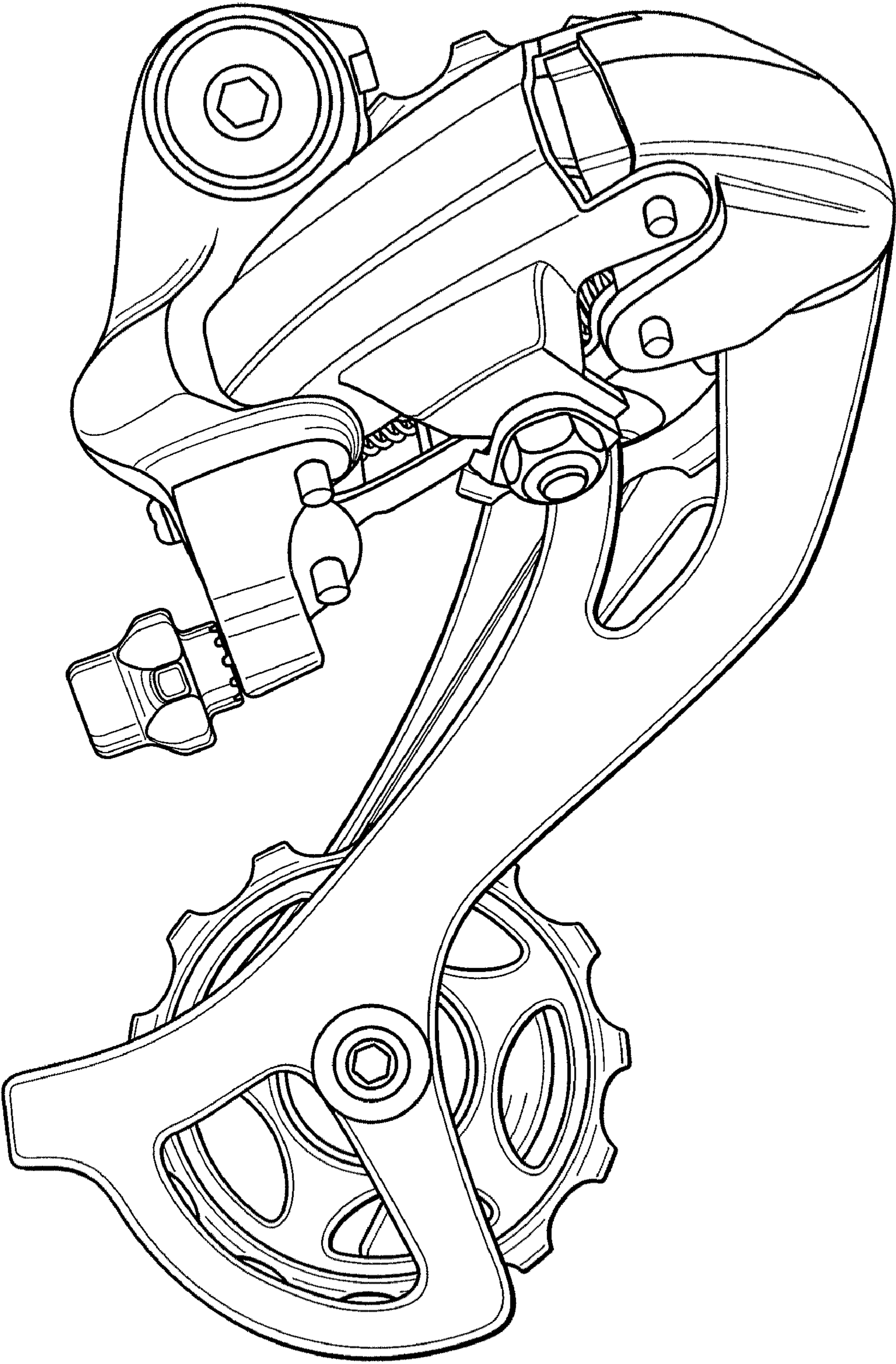


Fig. 2

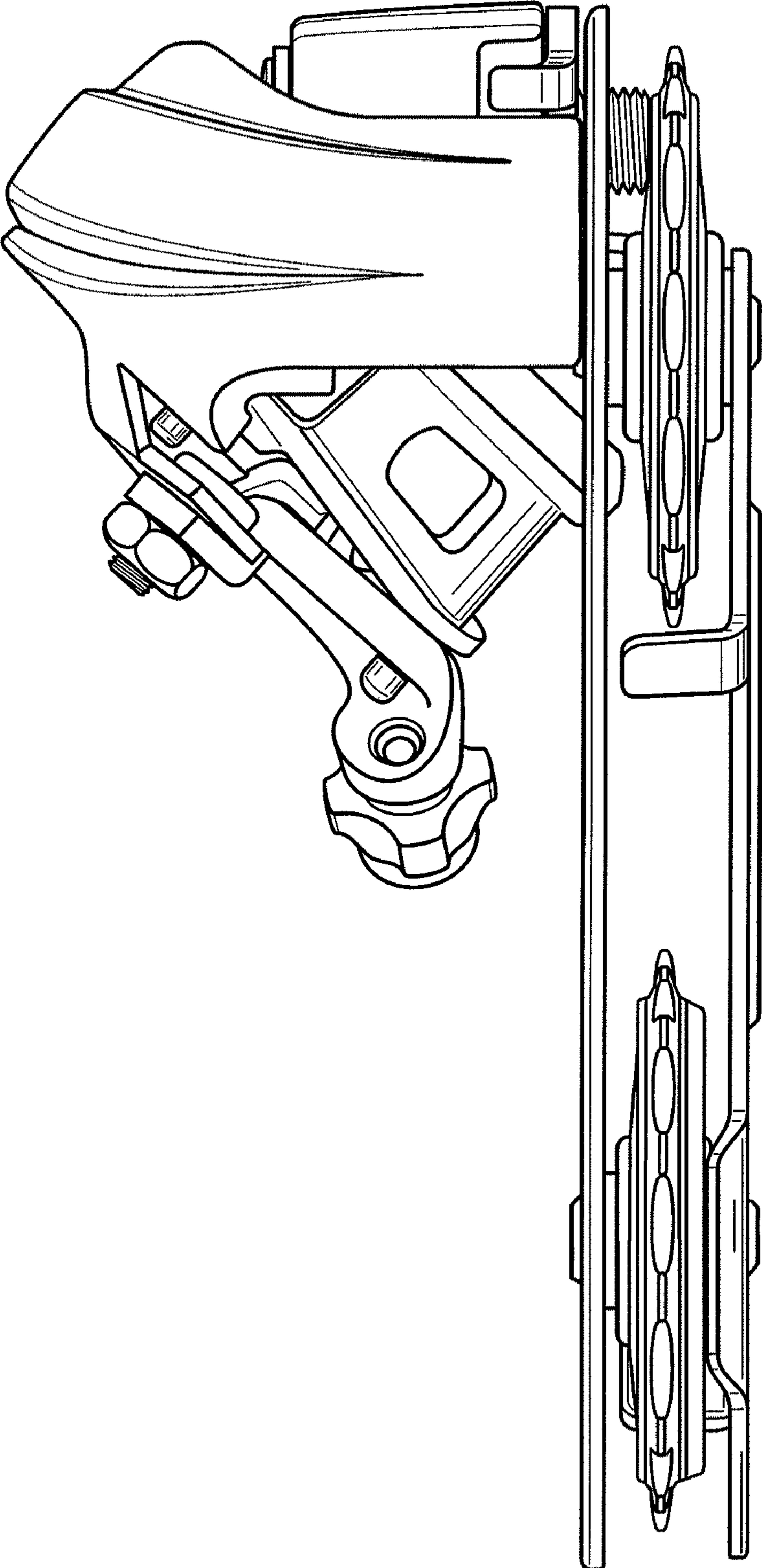


Fig. 3

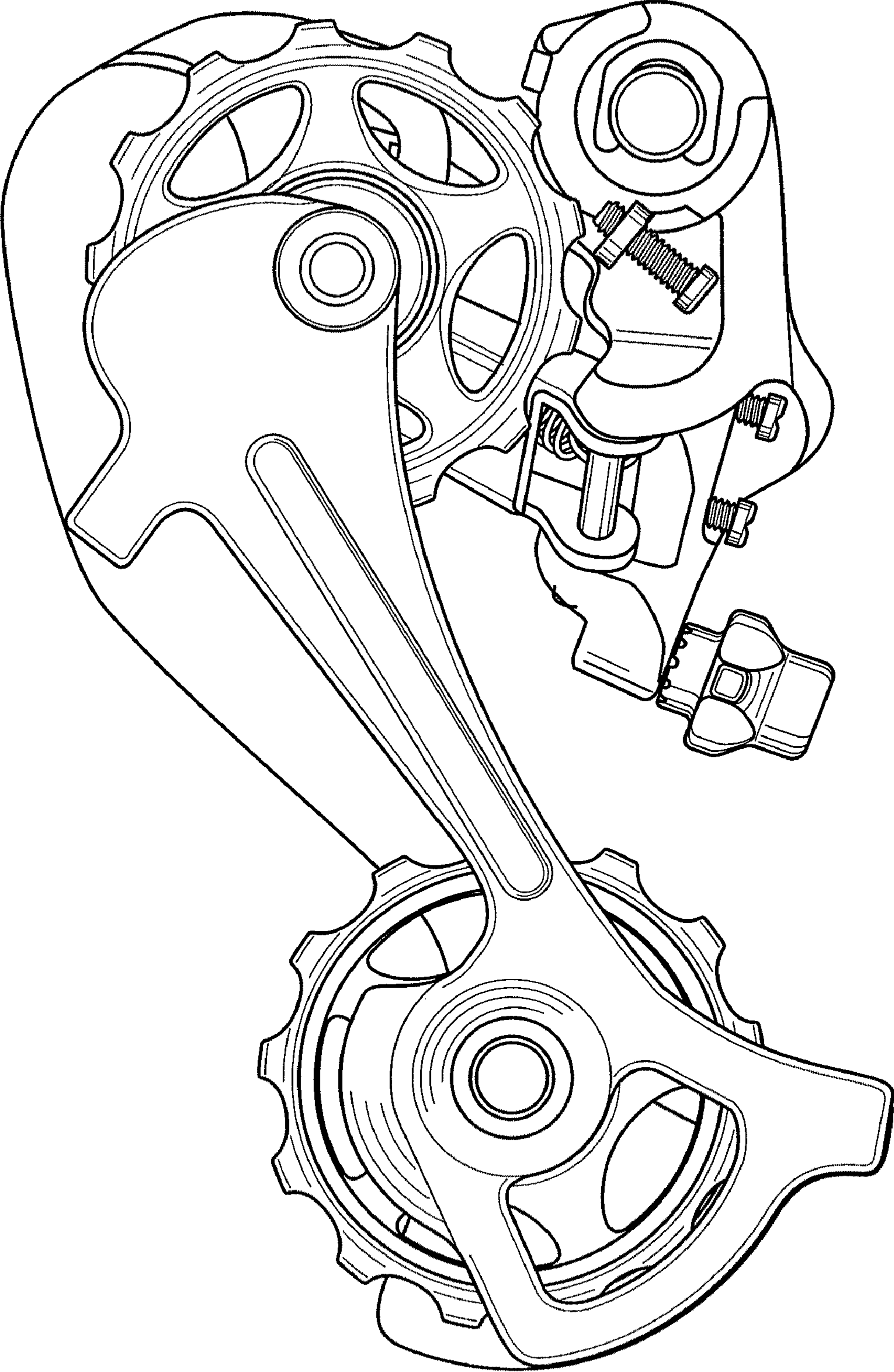


Fig. 4

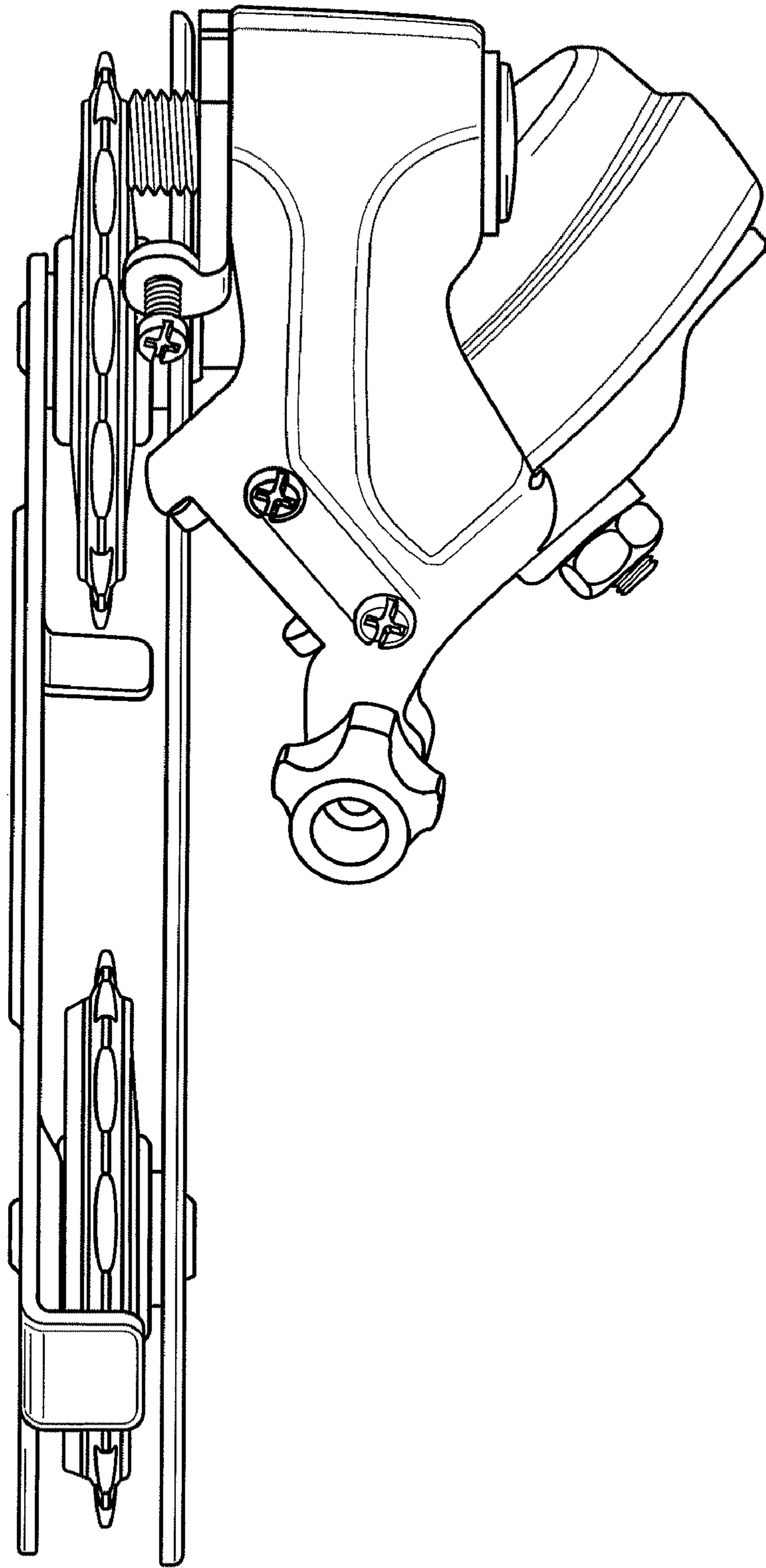


Fig. 5

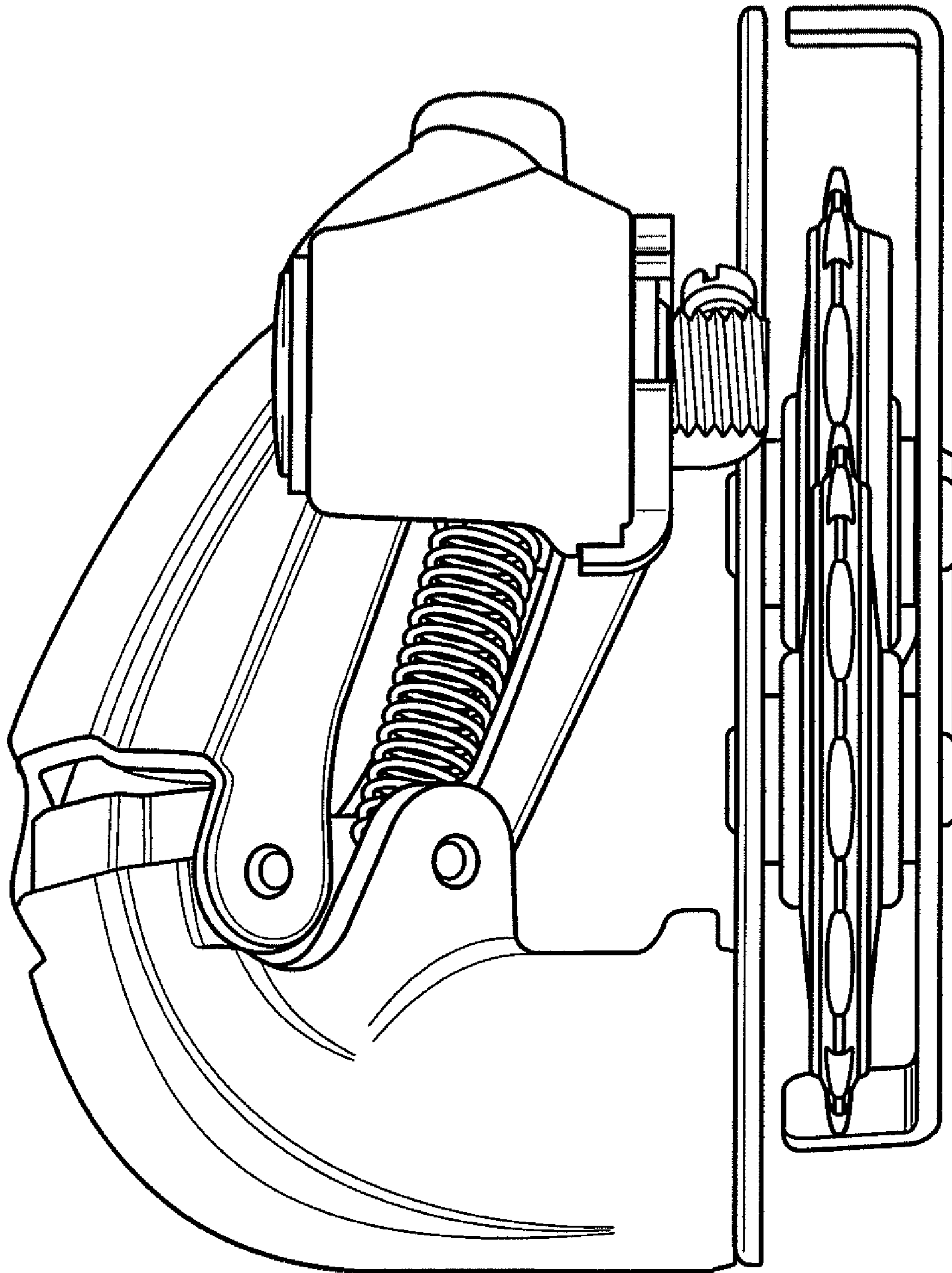


Fig. 6

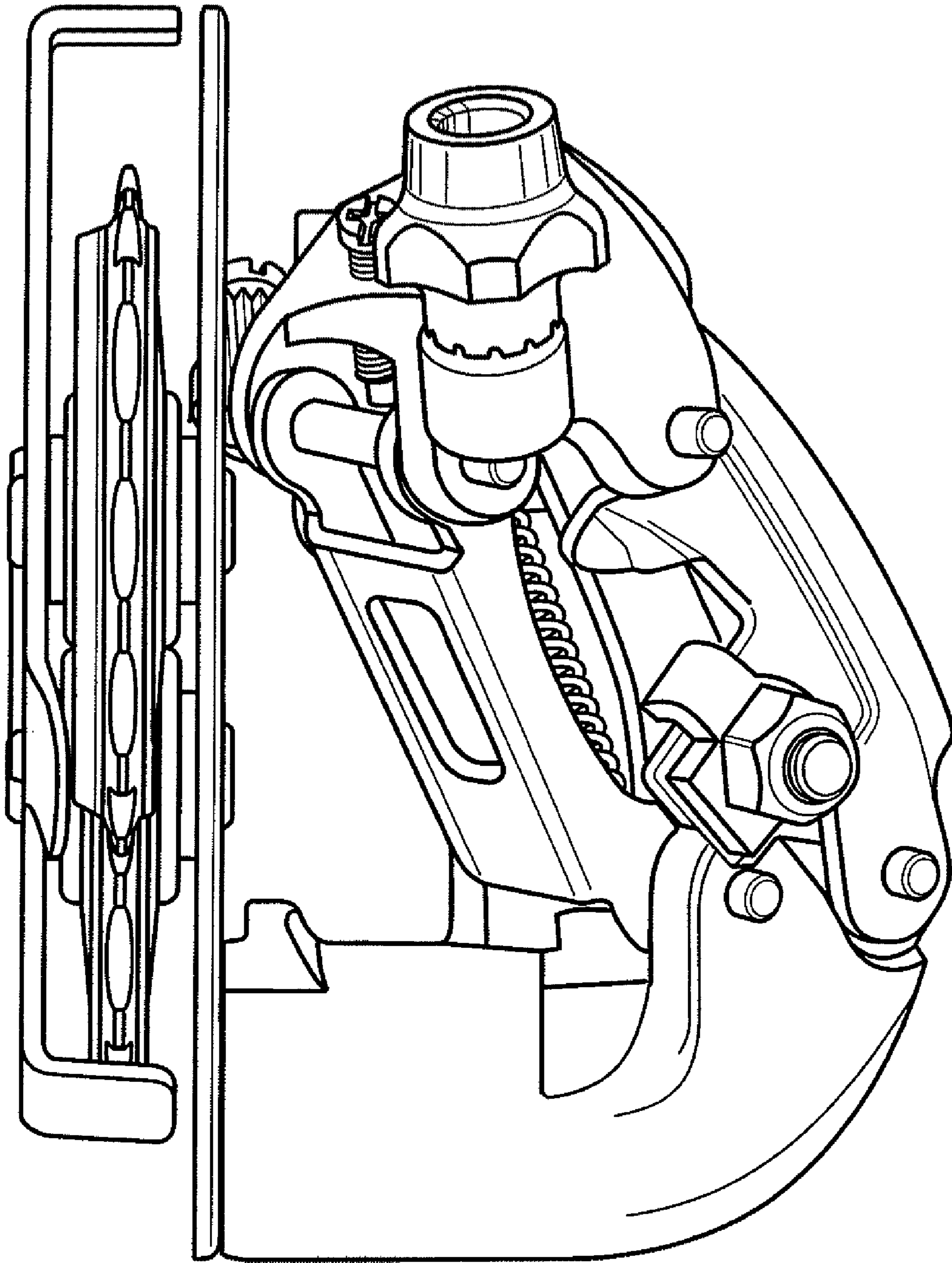


Fig. 7