



US00D581316S

(12) **United States Design Patent**
Petit

(10) **Patent No.:** **US D581,316 S**
(45) **Date of Patent:** **** Nov. 25, 2008**

(54) **SNOWMOBILE SIDE PANEL**
(75) Inventor: **Philippe Petit**, Orford (CA)
(73) Assignee: **BRP Finland Oy**, Rovaniemi (FI)
(**) Term: **14 Years**
(21) Appl. No.: **29/298,600**
(22) Filed: **Dec. 7, 2007**

D478,532 S 8/2003 Crepeau et al.
D479,490 S 9/2003 Cadotte et al.
D479,696 S 9/2003 Cadotte et al.
D479,697 S 9/2003 Cadotte et al.
D479,813 S 9/2003 Cadotte et al.
D479,814 S 9/2003 Cadotte et al.
D479,815 S 9/2003 Crepeau et al.
D479,816 S 9/2003 Crepeau et al.
D480,019 S 9/2003 Cadotte et al.
D480,020 S 9/2003 Crepeau et al.
D487,233 S 3/2004 Cadotte et al.
D487,413 S 3/2004 Cadotte et al.

(51) **LOC (8) Cl.** **12-14**
(52) **U.S. Cl.** **D12/7**
(58) **Field of Classification Search** D12/7,
D12/110, 111, 9, 112, 307, 400, 86, 85, 88;
D21/533; 180/182, 190, 184-186, 9.25,
180/180, 219, 193, 194; 280/845; D6/354
See application file for complete search history.

(Continued)

OTHER PUBLICATIONS

U.S. Appl. No. 29/298,601, filed Dec. 7, 2007. Title: Snowmobile.

(Continued)

Primary Examiner—Robert M. Spear
Assistant Examiner—Ania K Dworzecka
(74) *Attorney, Agent, or Firm*—Osler, Hoskin & Harcourt
LLP

(56) **References Cited**
U.S. PATENT DOCUMENTS

D253,883 S 1/1980 Shimasaki
D264,830 S 6/1982 Ishiyama
D273,185 S 3/1984 Ishiyama
D278,892 S 5/1985 Kobayashi
D314,535 S 2/1991 Matsue
D319,607 S 9/1991 Lapointe
D328,575 S 8/1992 Berto
D334,374 S 3/1993 Hornai
D342,044 S 12/1993 Hornai
D342,220 S 12/1993 Hornai
D346,137 S 4/1994 Hornai
D389,780 S 1/1998 Komatsu et al.
D403,272 S 12/1998 Cadotte et al.
D403,273 S 12/1998 Cadotte et al.
D438,821 S 3/2001 Cadotte et al.
D446,166 S 8/2001 Cadotte et al.
D457,106 S 5/2002 Cadotte et al.
D457,202 S 5/2002 Baskin et al.
D466,049 S 11/2002 Cadotte
D468,547 S 1/2003 Cadotte et al.
D477,247 S 7/2003 Cadotte et al.
D477,248 S 7/2003 Cadotte et al.
D478,297 S 8/2003 Cadotte et al.

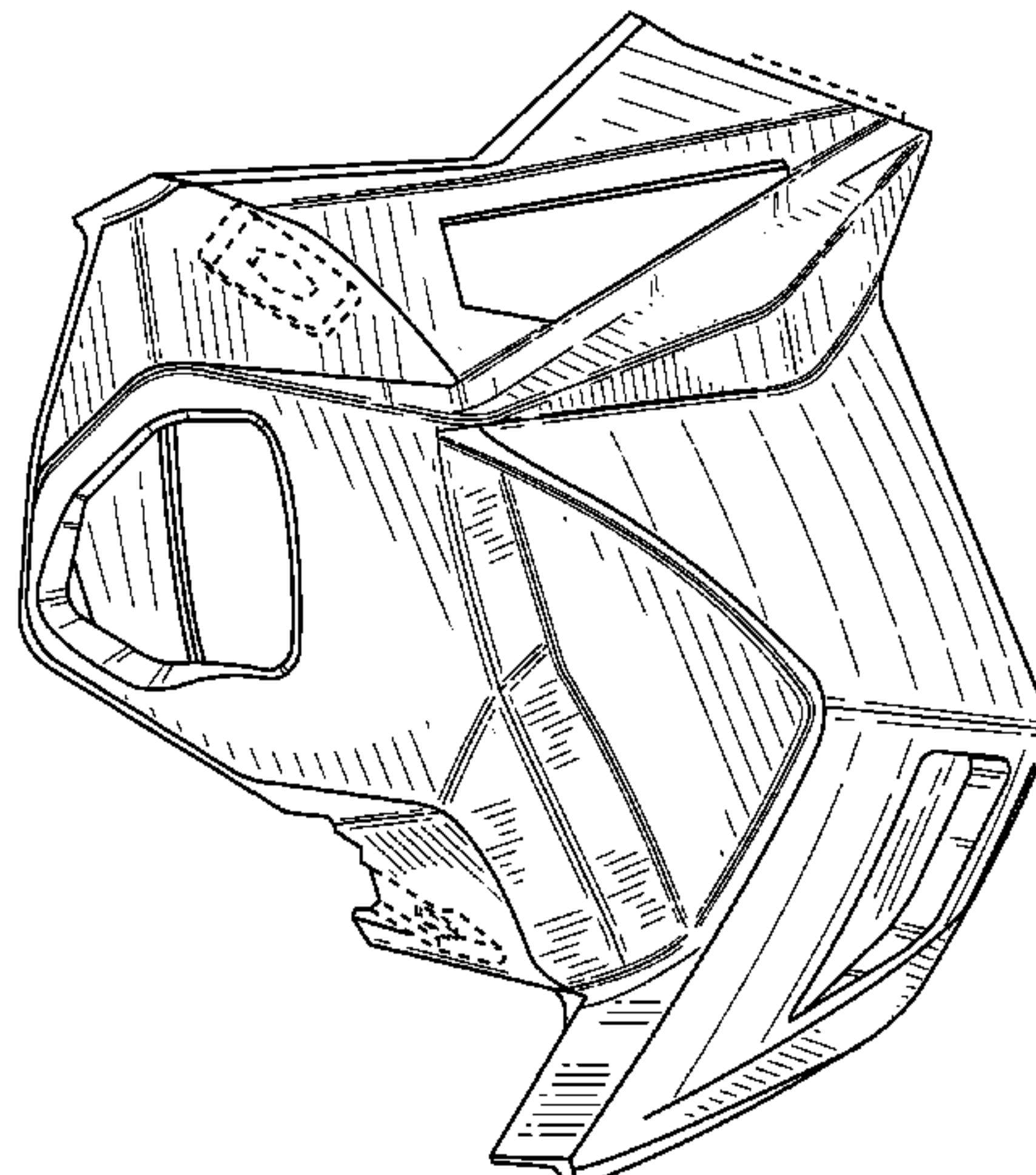
(57) **CLAIM**

The ornamental design for a snowmobile side panel, as shown and described.

DESCRIPTION

FIG. 1 is a rear right perspective view showing a snowmobile side panel according to my design;
FIG. 2 is a right side elevation view thereof;
FIG. 3 is a left side elevation view thereof;
FIG. 4 is a front elevation view thereof;
FIG. 5 is a rear elevation view thereof;
FIG. 6 is a top plan view thereof; and,
FIG. 7 is a bottom plan view thereof.
Throughout the Figures, broken lines showing structure are for illustrative purposes only and form no part of the claimed design.

1 Claim, 7 Drawing Sheets



US D581,316 S

Page 2

U.S. PATENT DOCUMENTS

D488,094 S 4/2004 Cadotte et al.
D488,095 S 4/2004 Cadotte et al.
D488,096 S 4/2004 Cadotte et al.
D488,097 S 4/2004 Cadotte et al.
D488,098 S 4/2004 Cadotte et al.
D488,404 S 4/2004 Cadotte et al.
D493,121 S 7/2004 Sanschagrín et al.
D493,390 S 7/2004 Sanschagrín et al.
D494,100 S 8/2004 Sanschagrín et al.
D494,502 S 8/2004 Sanschagrín et al.
D494,503 S 8/2004 Sanschagrín et al.
D494,504 S 8/2004 Sanschagrín et al.
D494,505 S 8/2004 Sanschagrín et al.
D494,889 S 8/2004 Sanschagrín et al.
D495,274 S 8/2004 Sanschagrín et al.
D495,973 S 9/2004 Cadotte et al.
D496,883 S 10/2004 Sanschagrín et al.
D499,669 S 12/2004 Sanschagrín et al.
D505,889 S 6/2005 Girouard et al.

D510,058 S * 9/2005 Lin D12/110
D511,998 S 11/2005 Deluy
D512,662 S 12/2005 Deluy
D515,457 S 2/2006 Deluy
D541,192 S 4/2007 Jokelainen
D548,136 S 8/2007 Musselman
D548,137 S 8/2007 Curthelet
D548,645 S 8/2007 Curthelet
D552,506 S 10/2007 Deluy
D563,271 S 3/2008 Curthelet
2005/0103546 A1 * 5/2005 Bedard et al. 180/186

OTHER PUBLICATIONS

U.S. Appl. No. 29/298,597, filed Dec. 7, 2007. Title: Snowmobile Hood.
U.S. Appl. No. 29/298,599, filed Dec. 7, 2007. Title: Snowmobile Side Panel.
U.S. Appl. No. 29/298,602, filed Dec. 7, 2007. Title: Snowmobile.

* cited by examiner

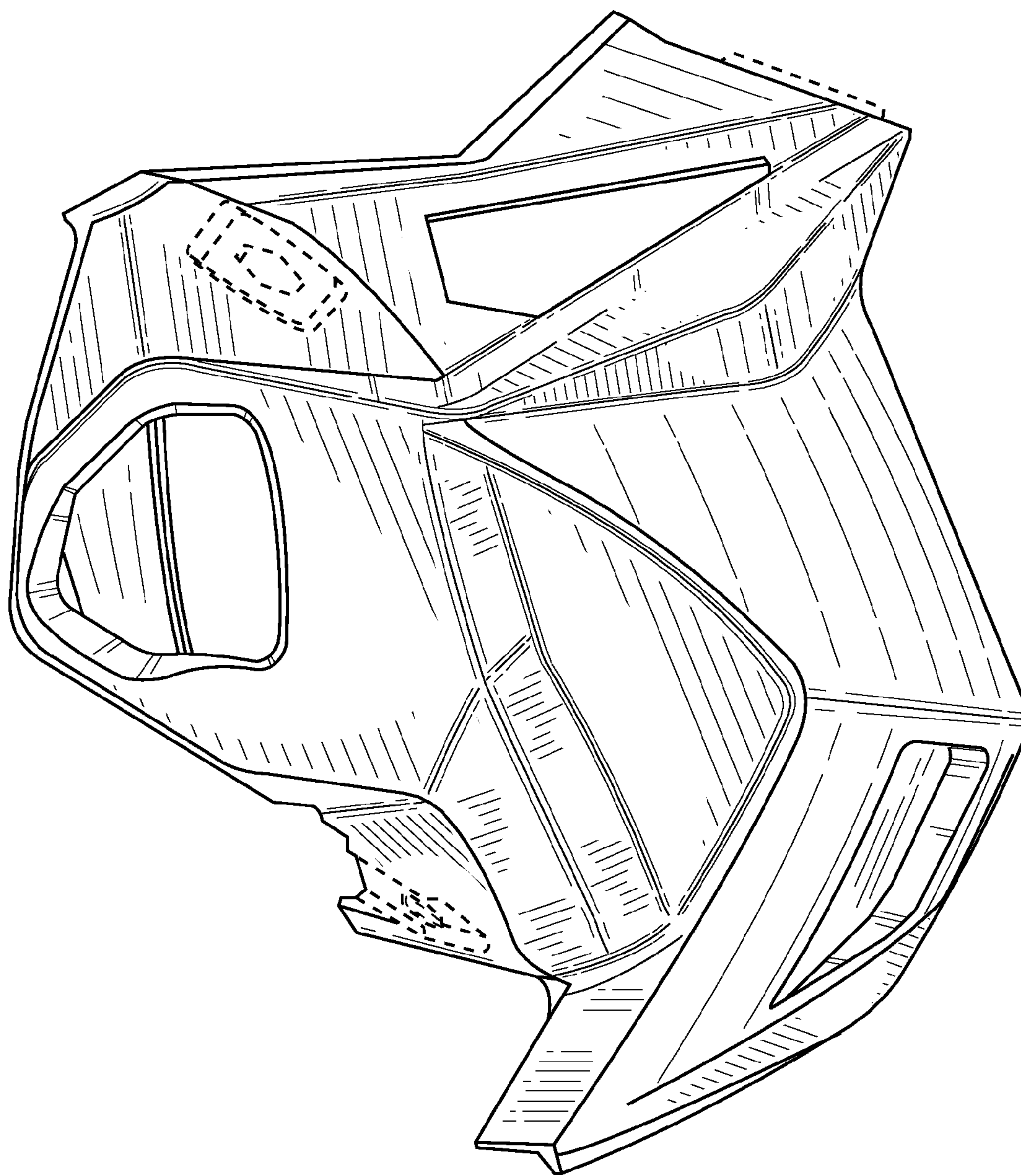


FIG. 1

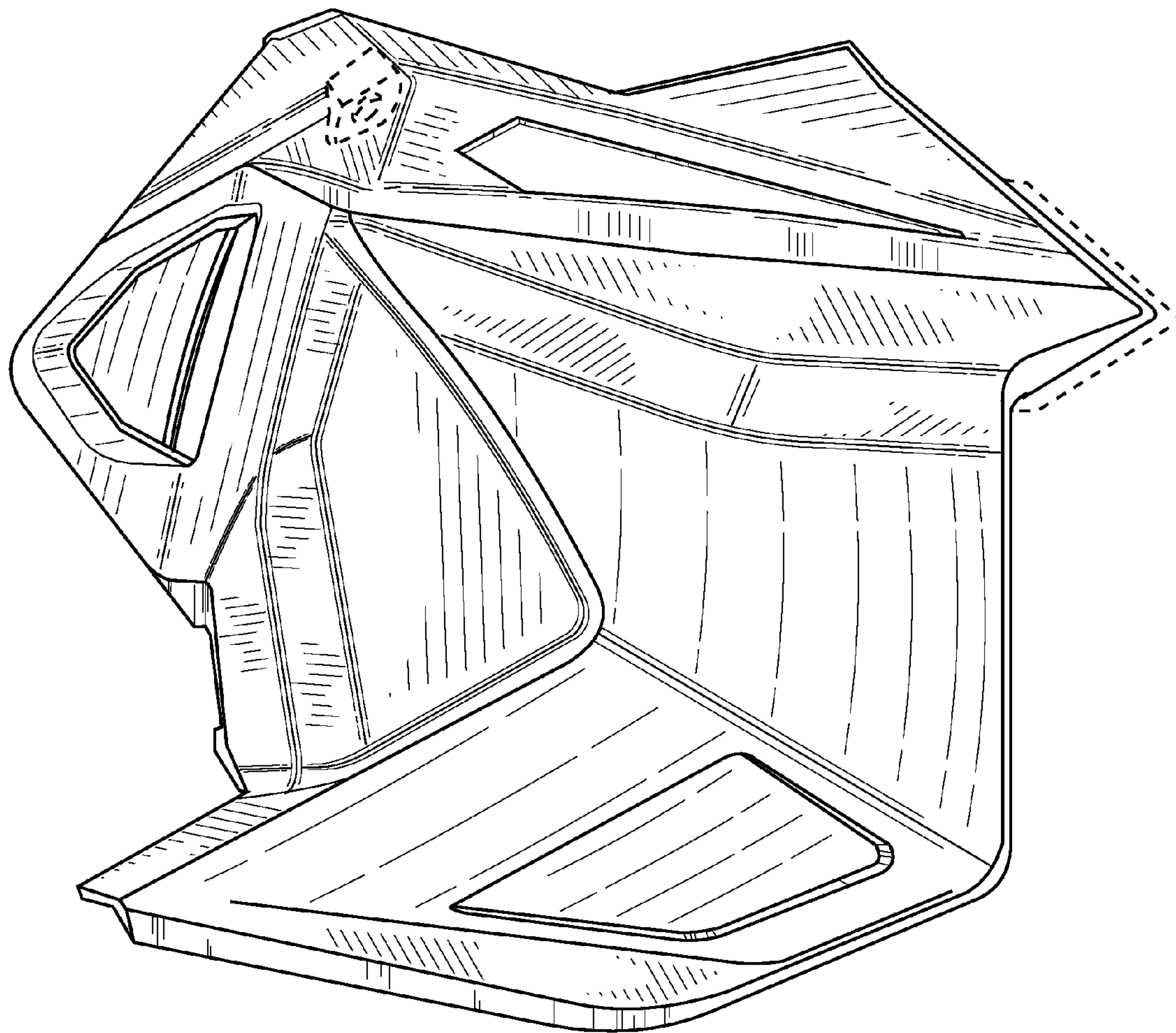


FIG. 2

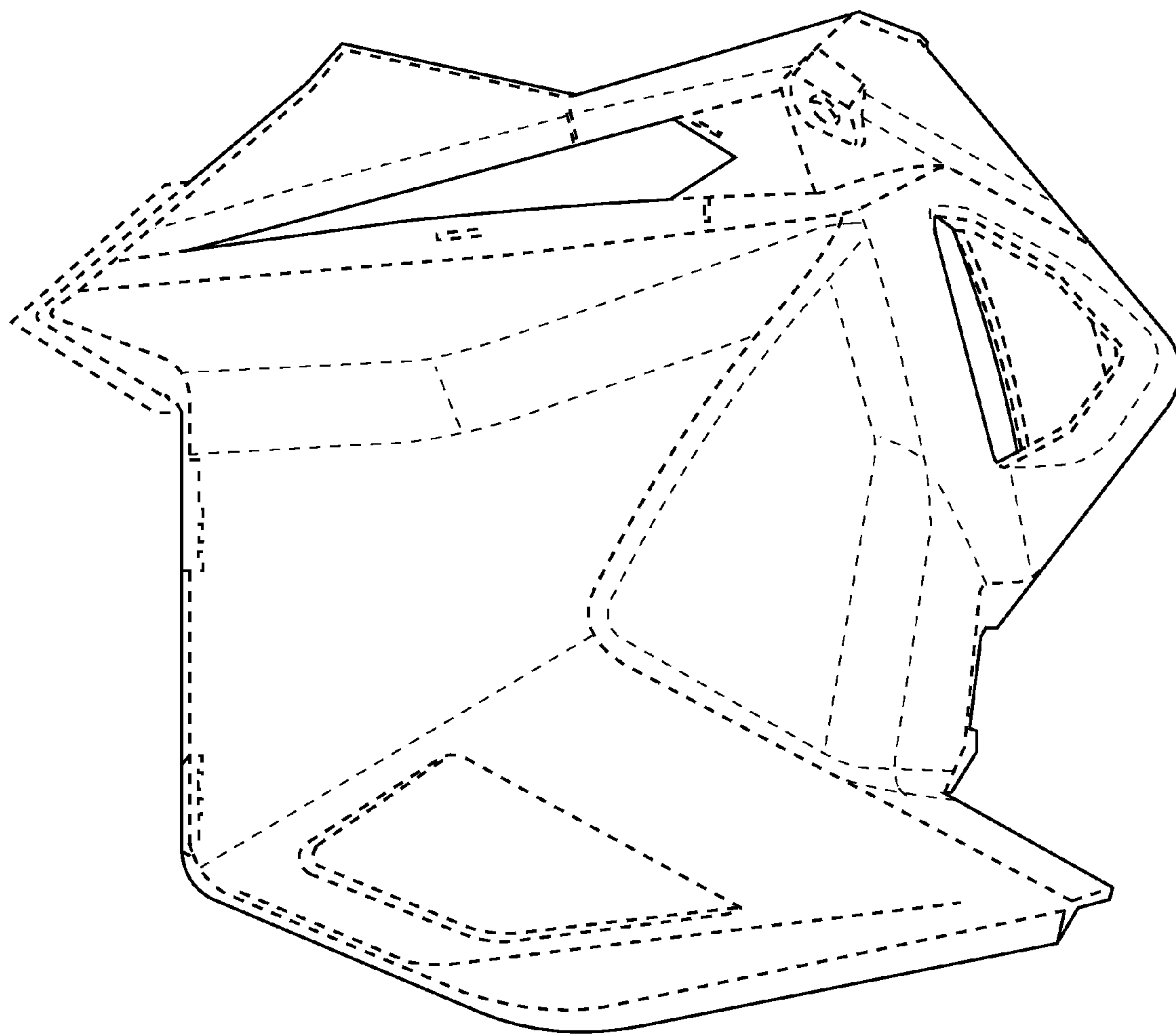


FIG. 3

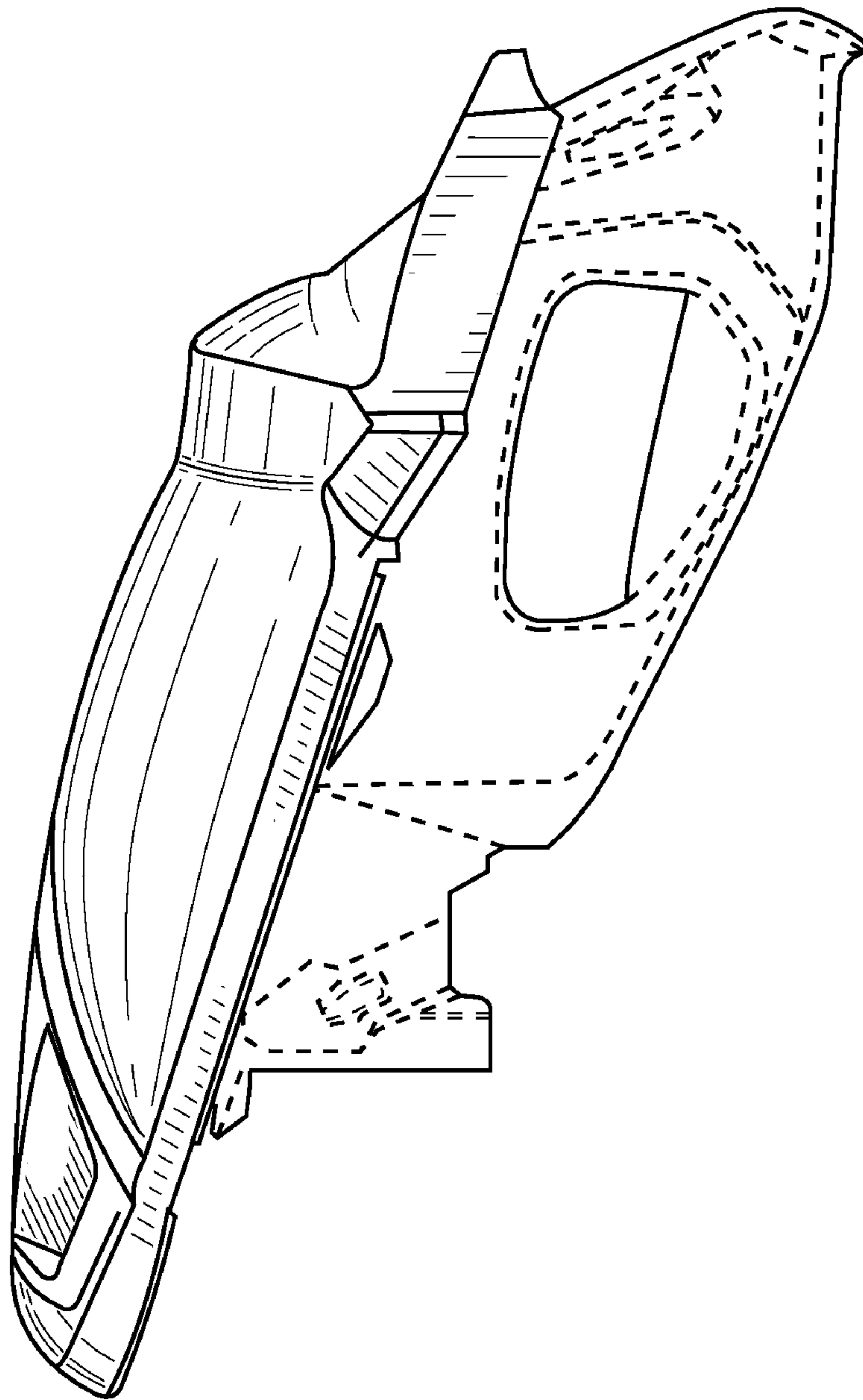


FIG. 4

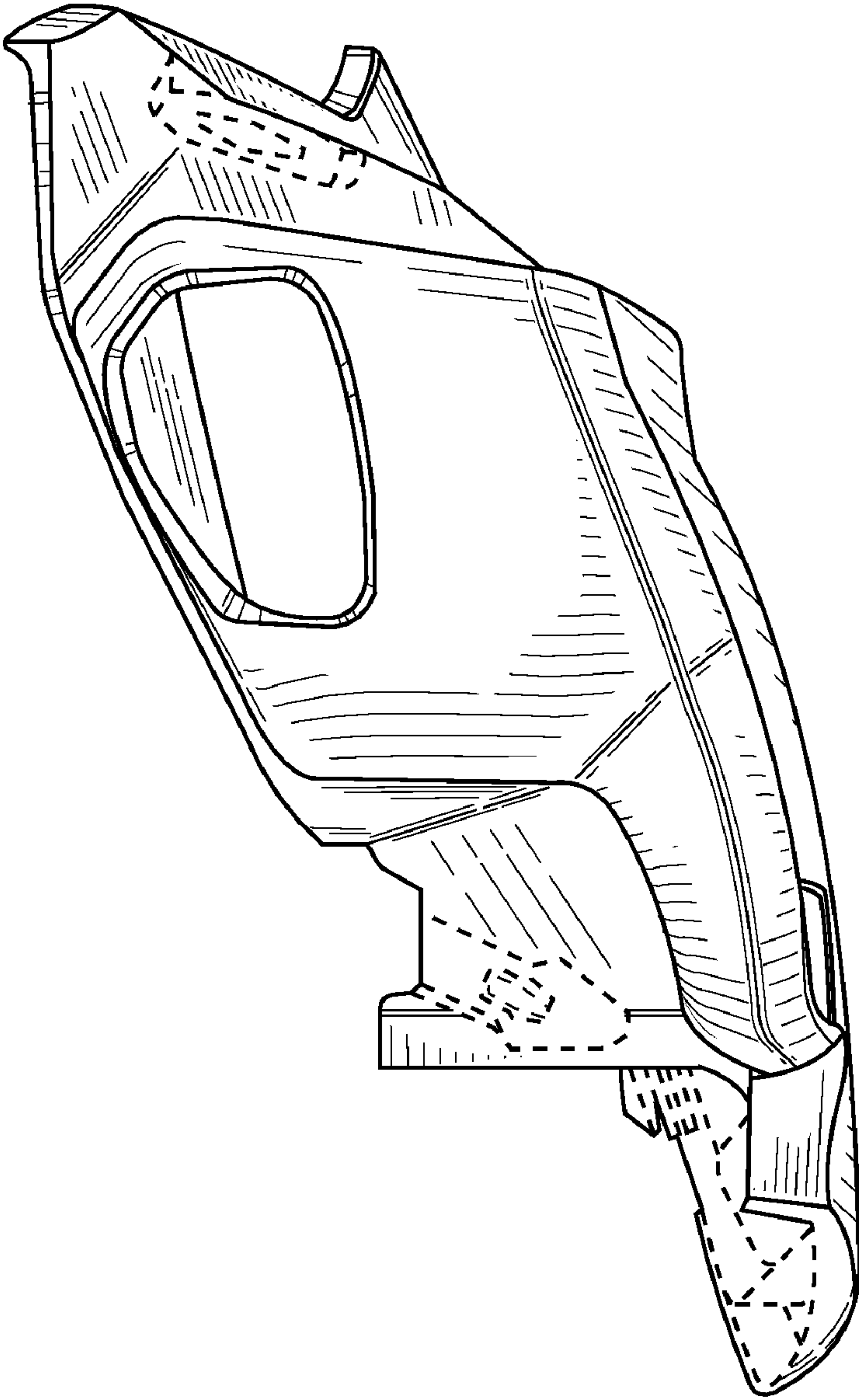


FIG. 5

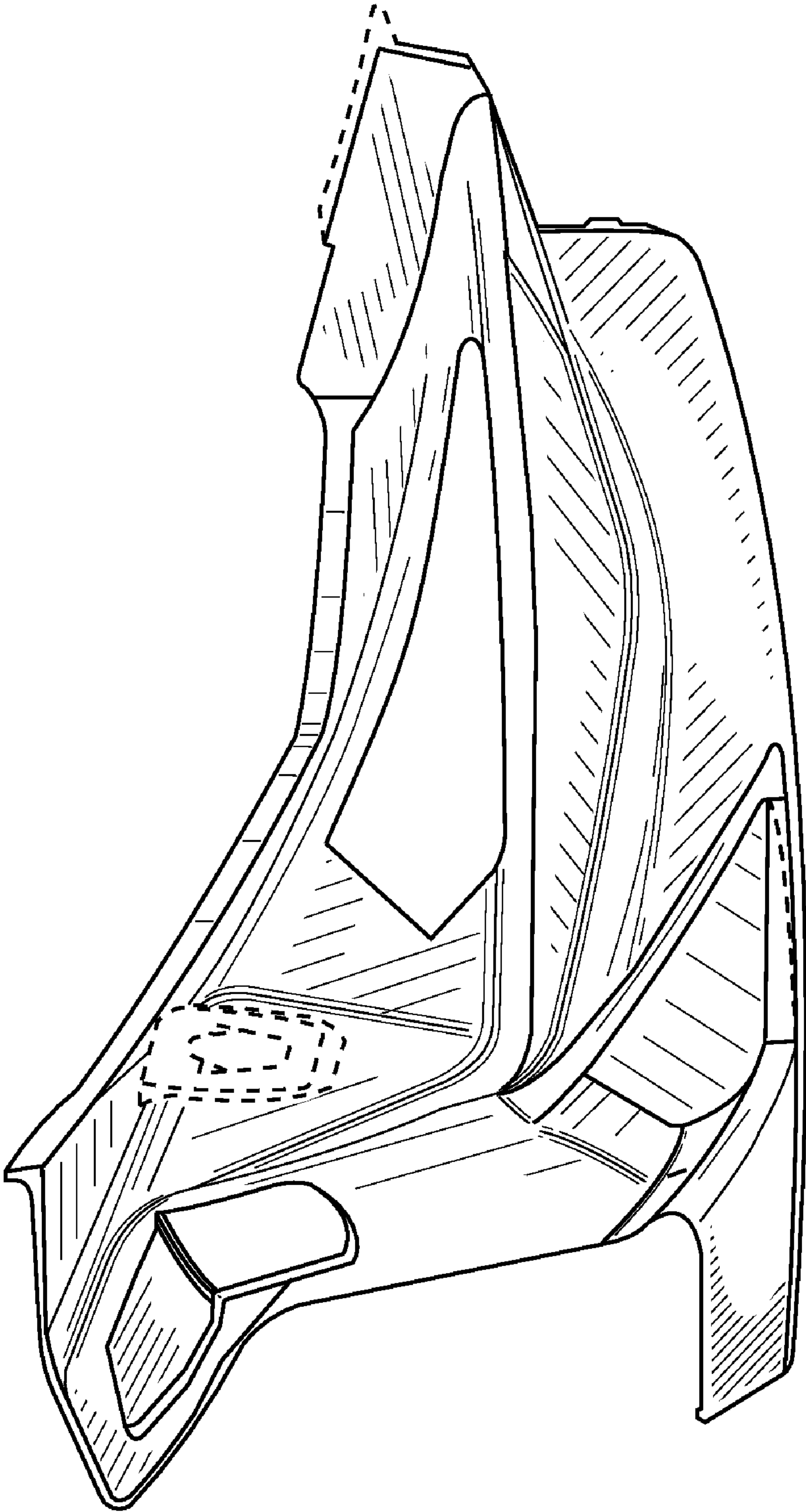


FIG. 6

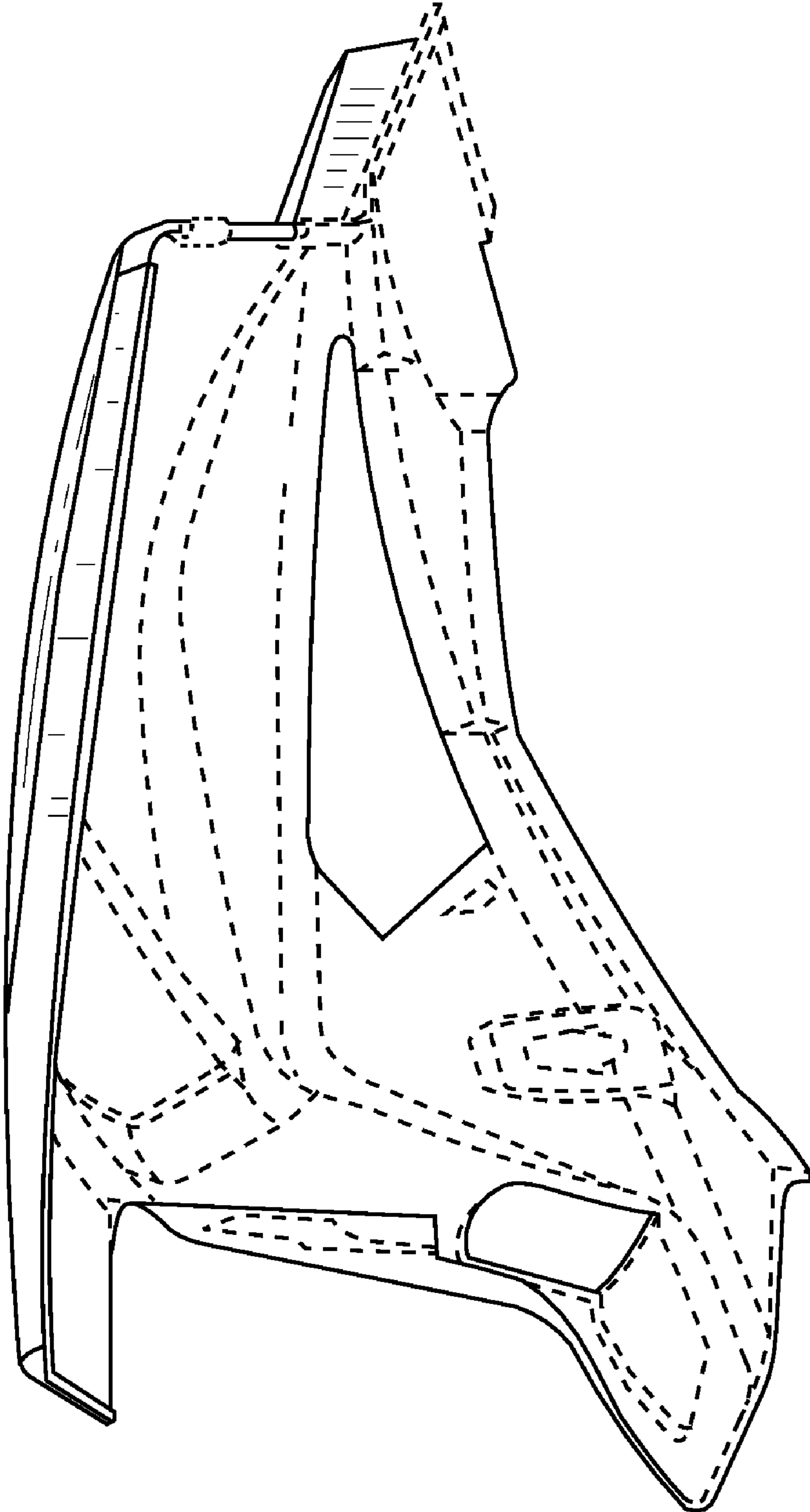


FIG. 7