



US00D581310S

(12) **United States Design Patent**  
**Boelter**

(10) **Patent No.:** **US D581,310 S**

(45) **Date of Patent:** **\*\* Nov. 25, 2008**

(54) **ARTICLE OF JEWELRY**

(76) **Inventor:** **Kyle M. Boelter**, 2725 Edge Hill Rd.,  
Huntingdon Valley, PA (US) 19006

(\*\*) **Term:** **14 Years**

(21) **Appl. No.:** **29/318,567**

(22) **Filed:** **May 22, 2008**

**Related U.S. Application Data**

(62) Division of application No. 29/281,017, filed on Jun. 13, 2007.

(51) **LOC (8) Cl.** ..... **11-01**

(52) **U.S. Cl.** ..... **D11/53**

(58) **Field of Classification Search** ..... D11/1-25,  
D11/40-46, 81, 93, 94; 59/78, 79, 79.2,  
59/81, 82, 83; 224/175; 63/3, 3.1, 32, 4,  
63/5.1, 5.2, 6, 7, 8, 9, 11, 15, 15.1-15.4,  
63/15.45, 15.5, 15.6, 15.65, 15.7-15.9

See application file for complete search history.

(56) **References Cited**

**U.S. PATENT DOCUMENTS**

D159,115 S \* 6/1950 Weinberg ..... D3/329

D381,926 S \* 8/1997 Bernsen ..... D11/79

D434,689 S \* 12/2000 Nasr ..... D11/83

\* cited by examiner

*Primary Examiner*—Louis S Zarfaz

*Assistant Examiner*—Michael A Pratt

(74) *Attorney, Agent, or Firm*—Caesar, Rivise, Bernstein,  
Cohen & Pokotilow, Ltd.

(57) **CLAIM**

The ornamental design for an article of jewelry, as shown and described.

**DESCRIPTION**

FIG. 1 is a front elevation view of an article of jewelry my new design;

FIG. 2 is a left side elevational view of the earring shown in FIG. 1;

FIG. 3 is a right side elevational view of the earring shown in FIG. 1;

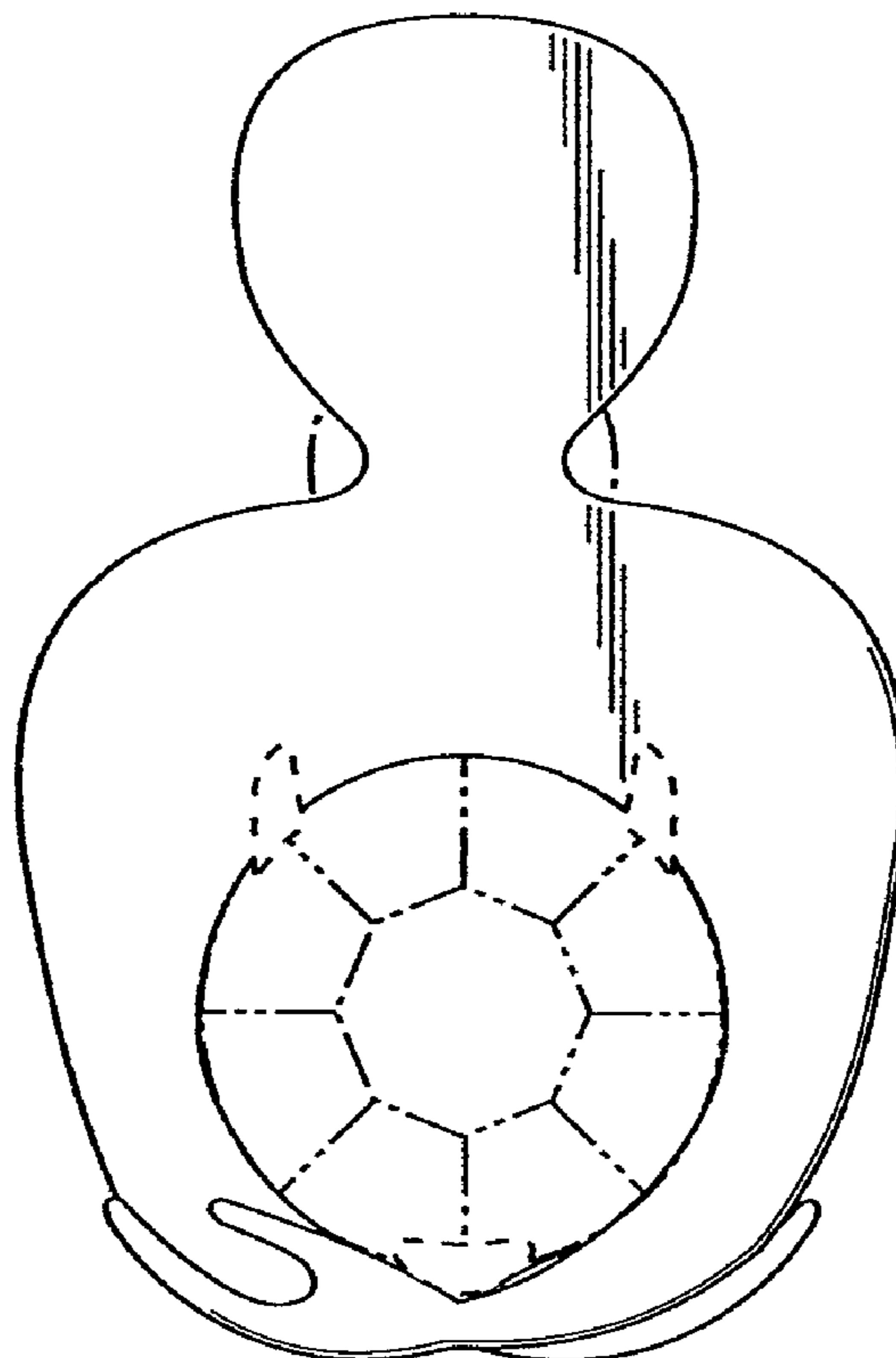
FIG. 4 is a top plan view of the earring shown in FIG. 1;

FIG. 5 is a bottom plan view of the earring shown in FIG. 1; and,

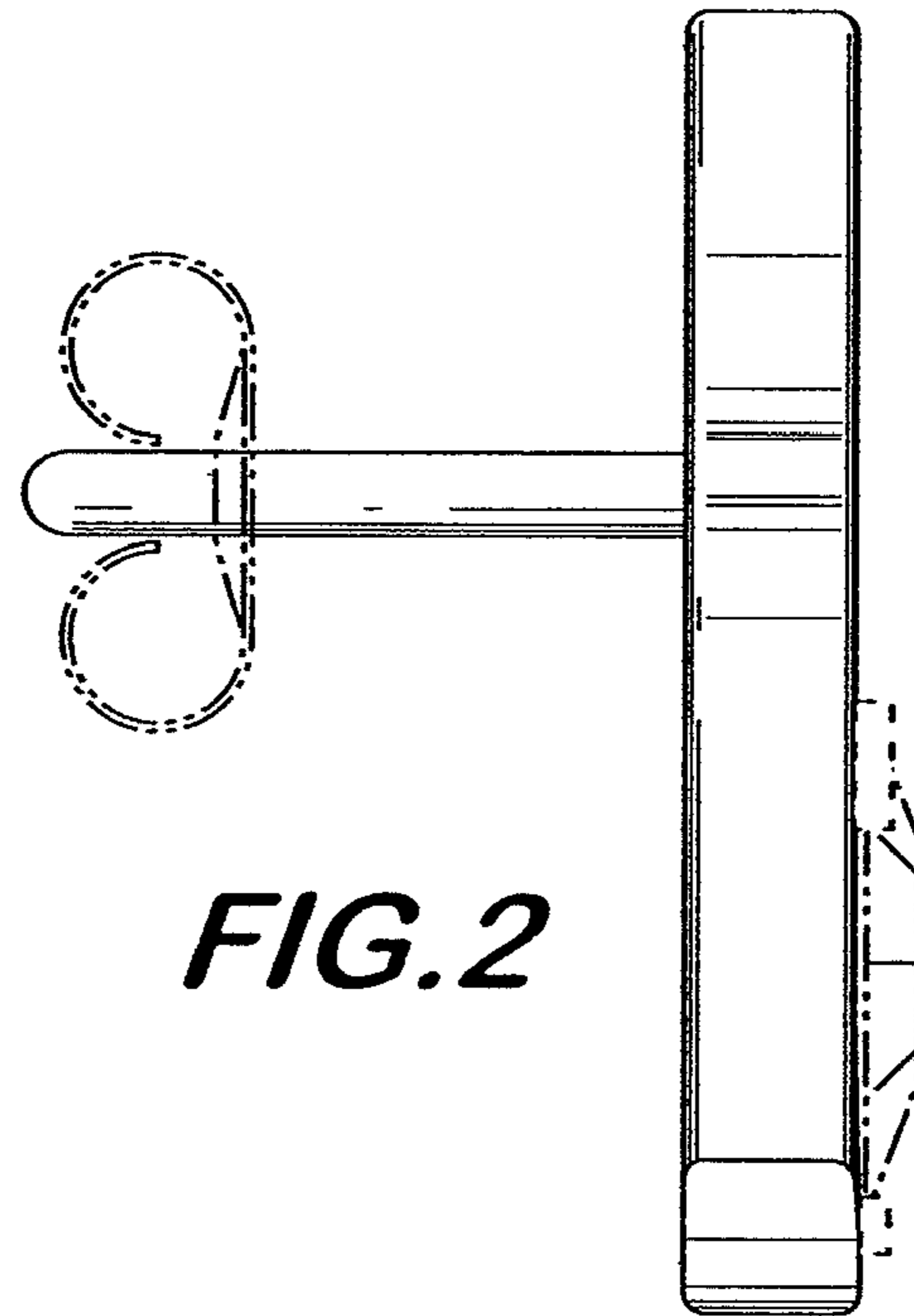
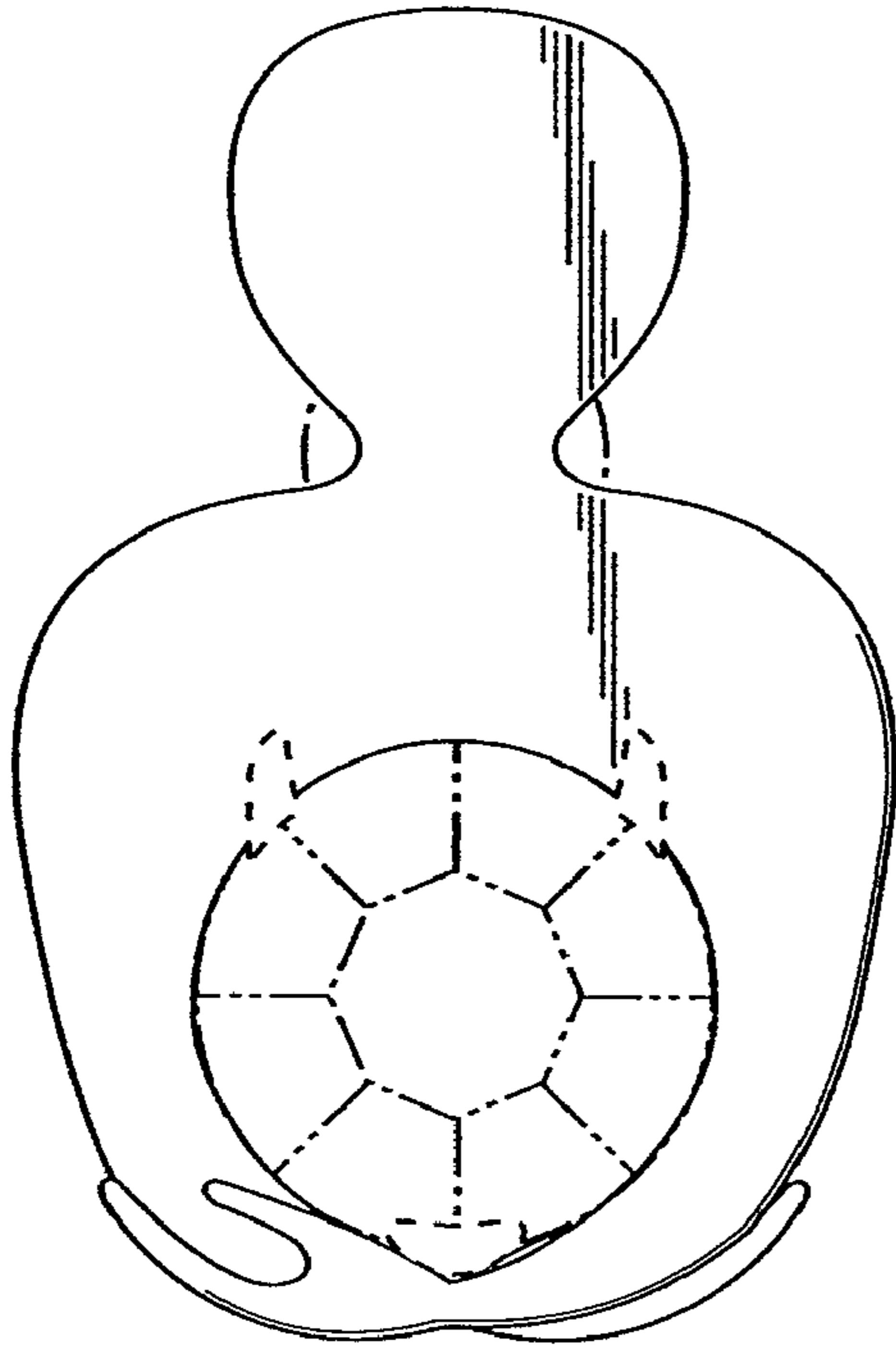
FIG. 6 is a rear elevational view of the earring shown in FIG. 1.

The broken line showing of a gemstone and prongs is included for the purpose of illustrating environment and forms no part of the claimed design.

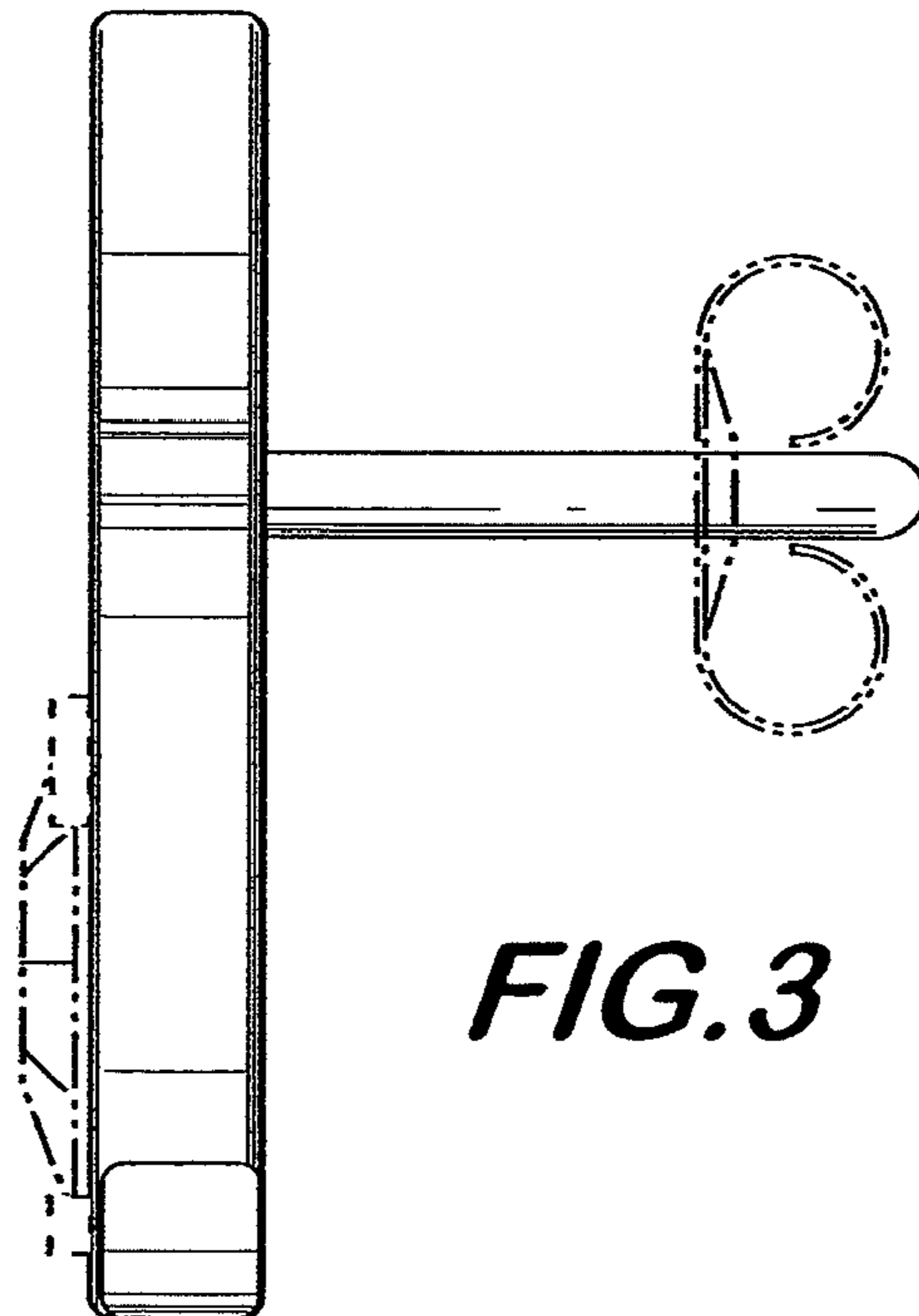
**1 Claim, 2 Drawing Sheets**



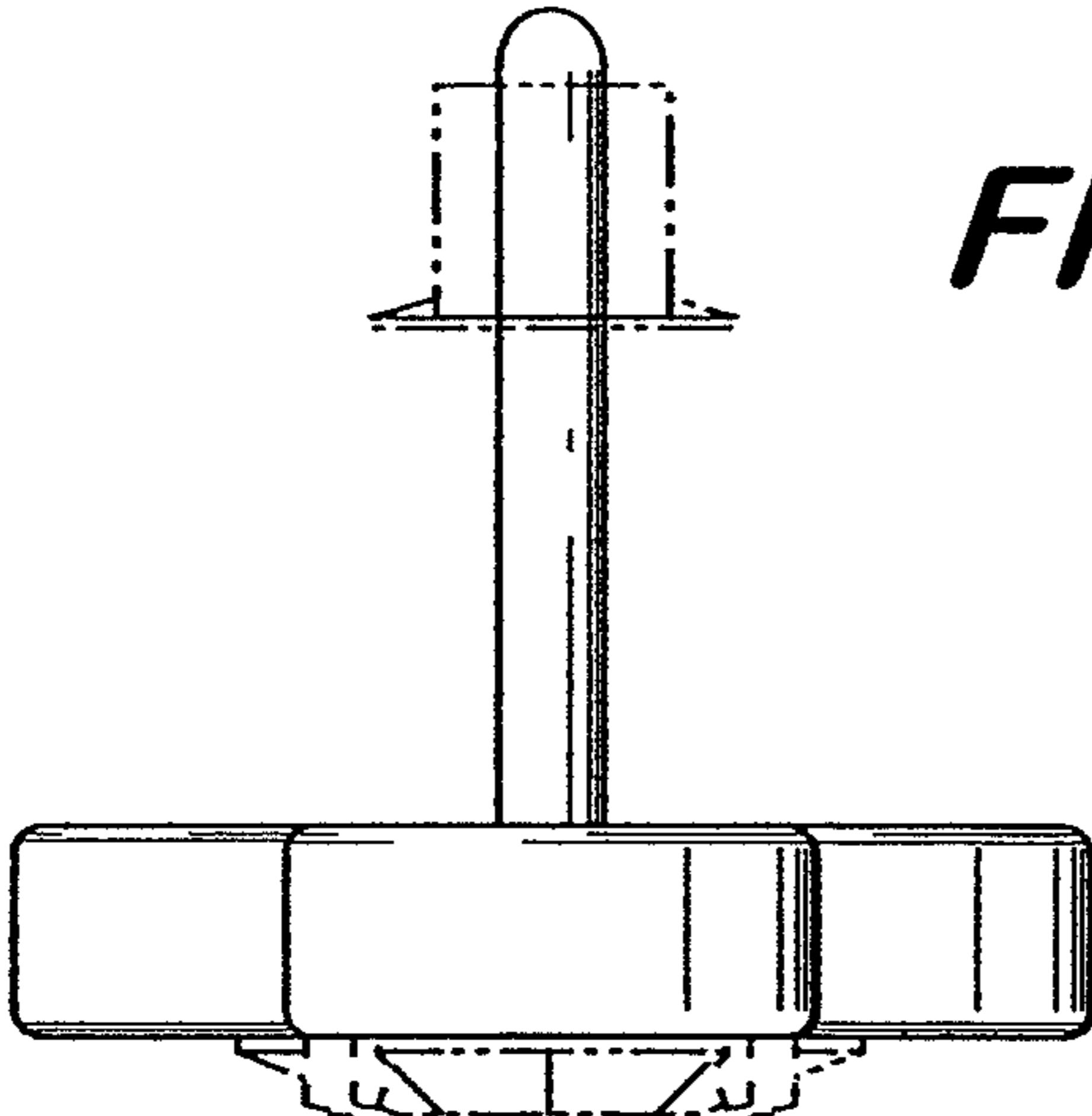
**FIG. 1**



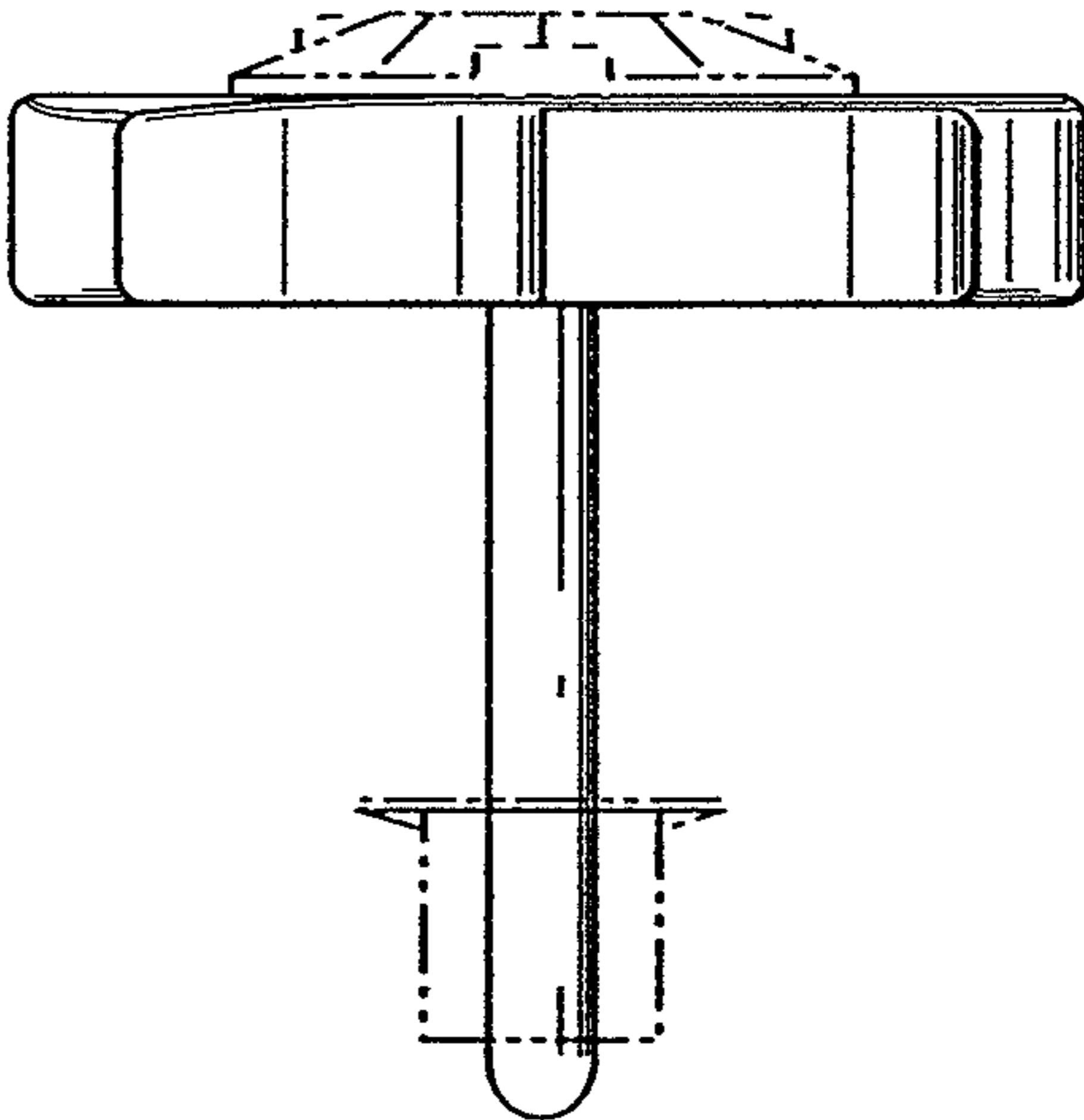
**FIG. 2**



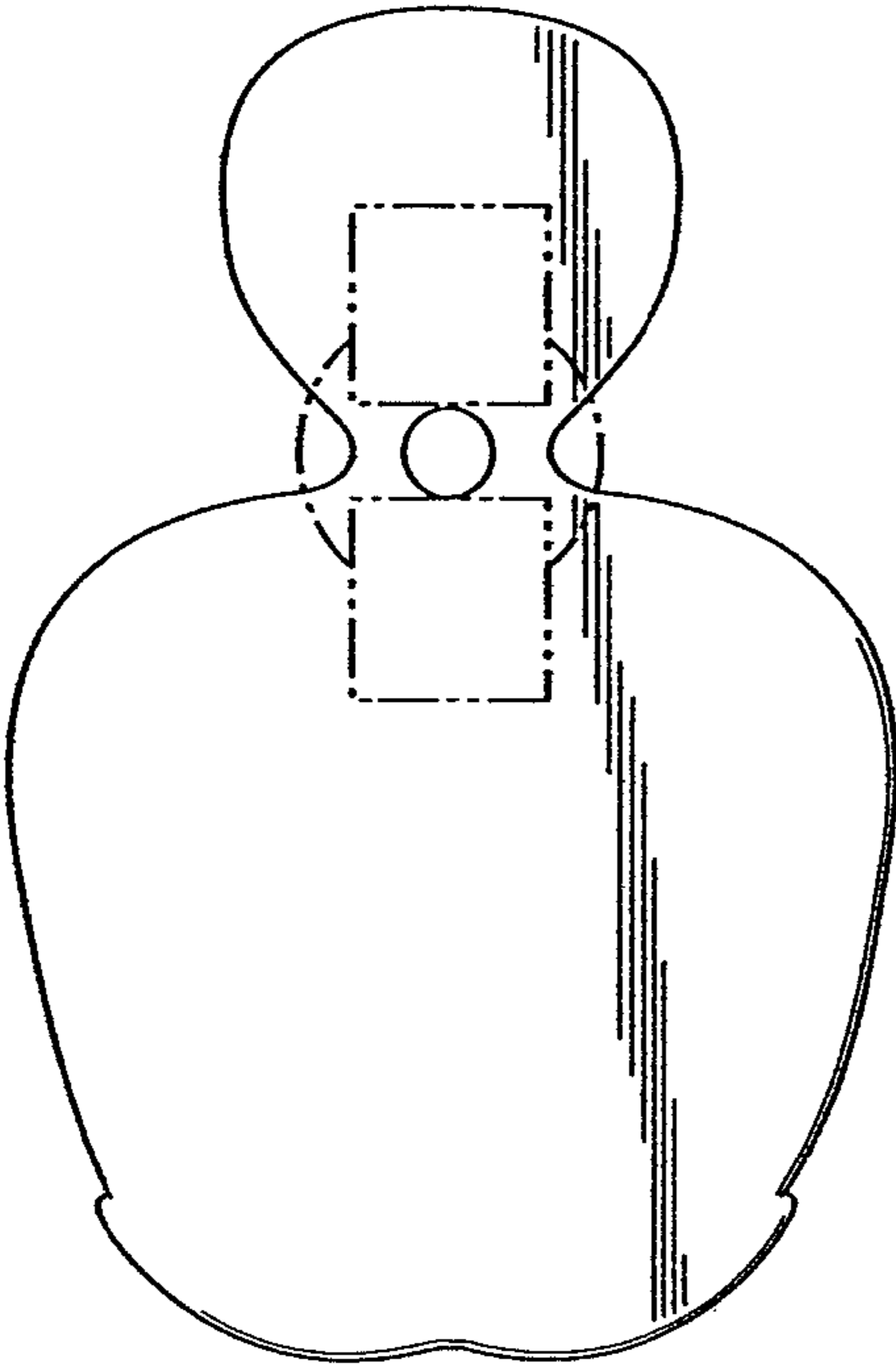
**FIG. 3**



**FIG. 4**



**FIG. 5**



**FIG. 6**