



US00D581309S

(12) **United States Design Patent**  
**Boelter**

(10) **Patent No.:** **US D581,309 S**  
(45) **Date of Patent:** **\*\* Nov. 25, 2008**

(54) **ARTICLE OF JEWELRY**

(76) Inventor: **Kyle M. Boelter**, 2725 Edge Hill Rd.,  
Huntingdon Valley, PA (US) 19006

(\*\*) Term: **14 Years**

(21) Appl. No.: **29/281,017**

(22) Filed: **Jun. 13, 2007**

(51) **LOC (8) Cl.** ..... **11-01**

(52) **U.S. Cl.** ..... **D11/53**

(58) **Field of Classification Search** ..... D11/40-48,  
D11/53, 75, 79, 81, 85, 91; 63/12-14.3,  
63/20, 27, 28

See application file for complete search history.

(56) **References Cited**

**U.S. PATENT DOCUMENTS**

D282,829 S *	3/1986	Bulgari	.....	D11/40
D378,502 S *	3/1997	Szlanfucht	.....	D11/81
D381,926 S *	8/1997	Bernsen	.....	D11/79
D420,618 S *	2/2000	Minister	.....	D11/56
D434,689 S *	12/2000	Nasr	.....	D11/83
D440,518 S *	4/2001	Hauetter	.....	D11/48

\* cited by examiner

*Primary Examiner*—Louis S Zarfaz

*Assistant Examiner*—Anhdao Doan

(74) *Attorney, Agent, or Firm*—Caesar, Rivise, Bernstein,  
Cohen & Pokotilow, Ltd.

(57) **CLAIM**

The ornamental design for an article of jewelry, as shown and described.

**DESCRIPTION**

FIG. 1 is a front elevation view of an article of jewelry showing my new design;

FIG. 2 is a left side view thereof;

FIG. 3 is a right side view thereof;

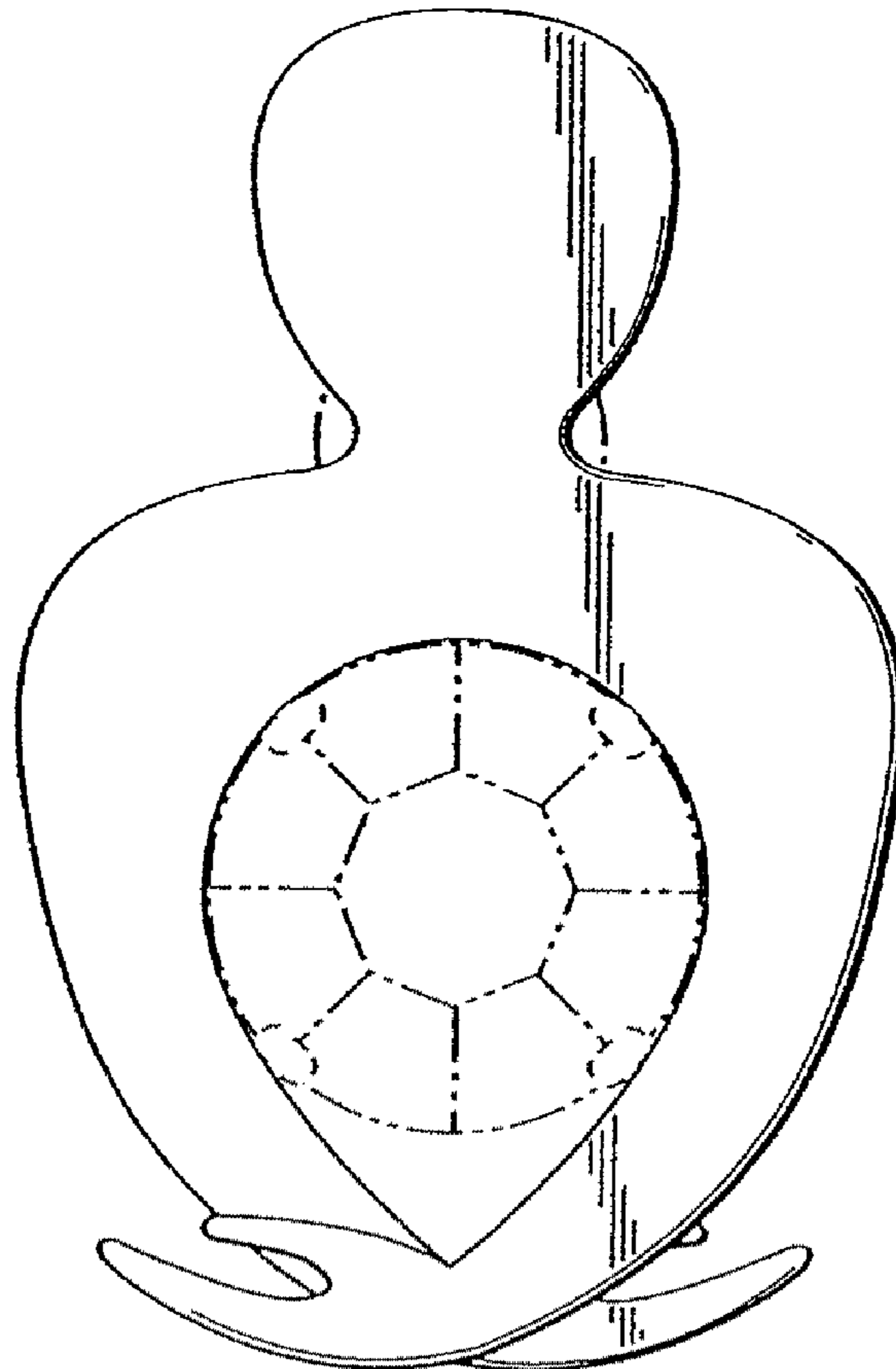
FIG. 4 is a top plan view thereof;

FIG. 5 is a bottom plan view thereof; and,

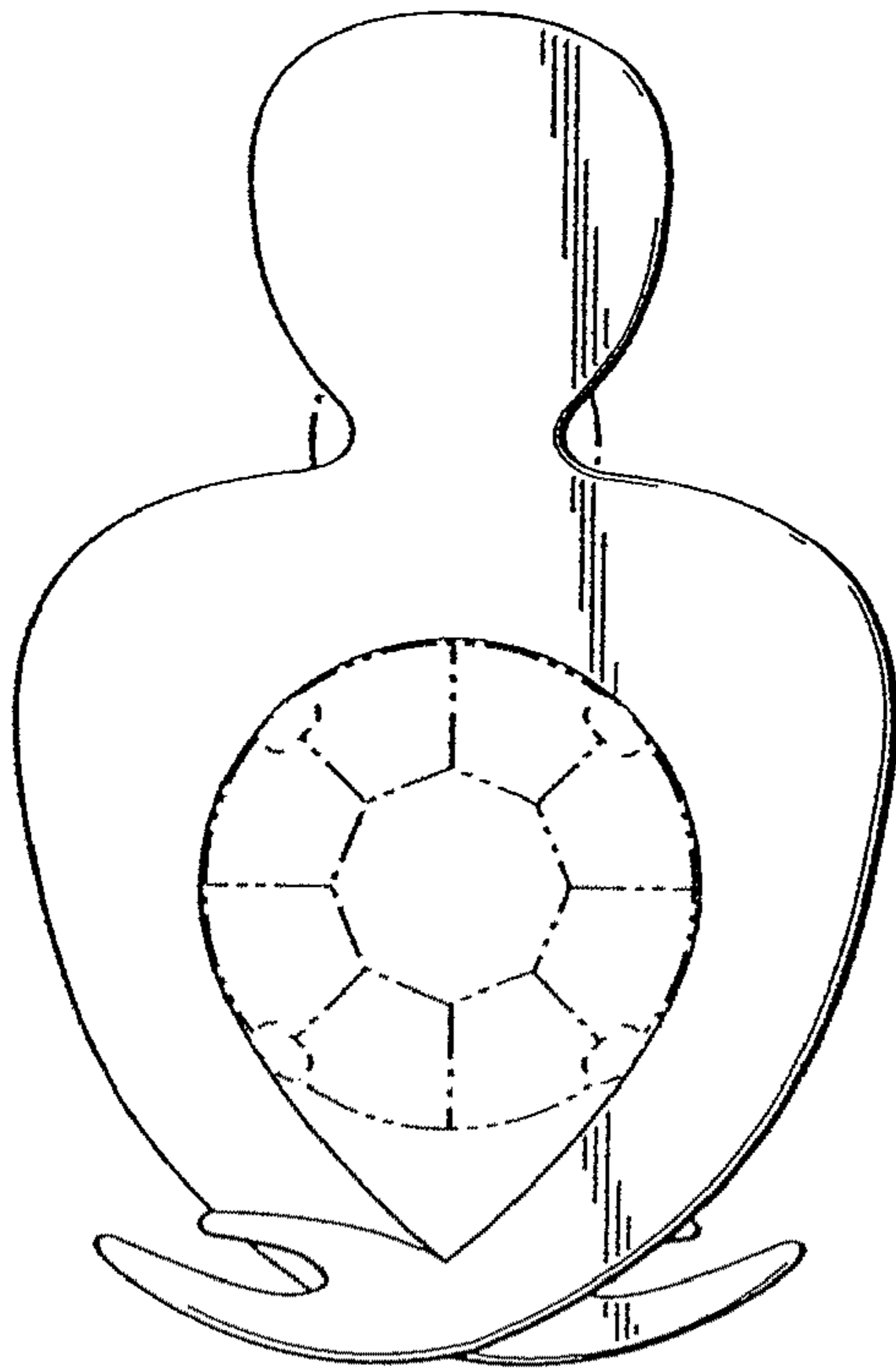
FIG. 6 is a rear elevation view thereof.

The broken lines in all figures are included for the purpose of illustrating portions of the article for jewelry that form no part of the claimed design.

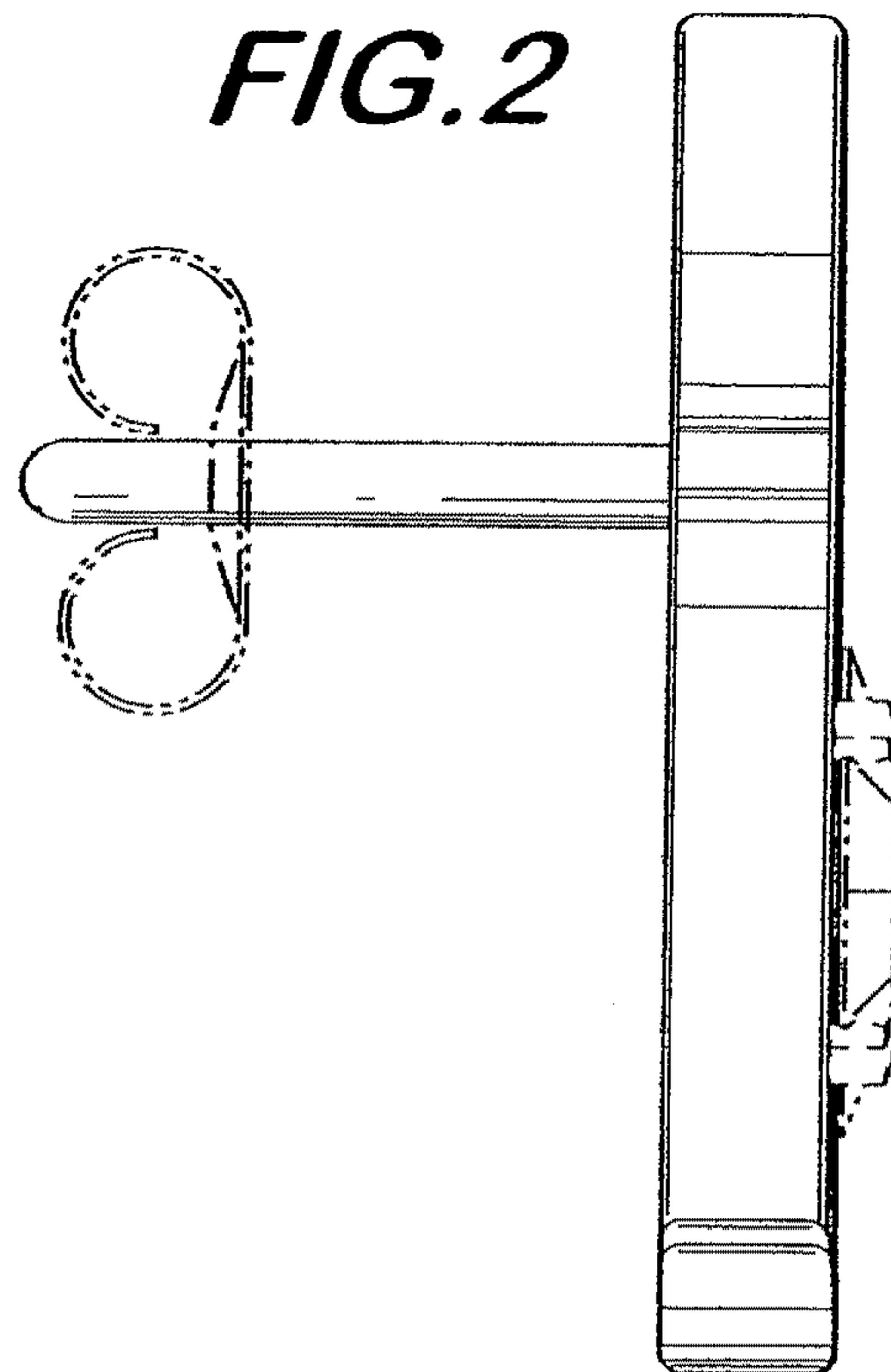
**1 Claim, 2 Drawing Sheets**



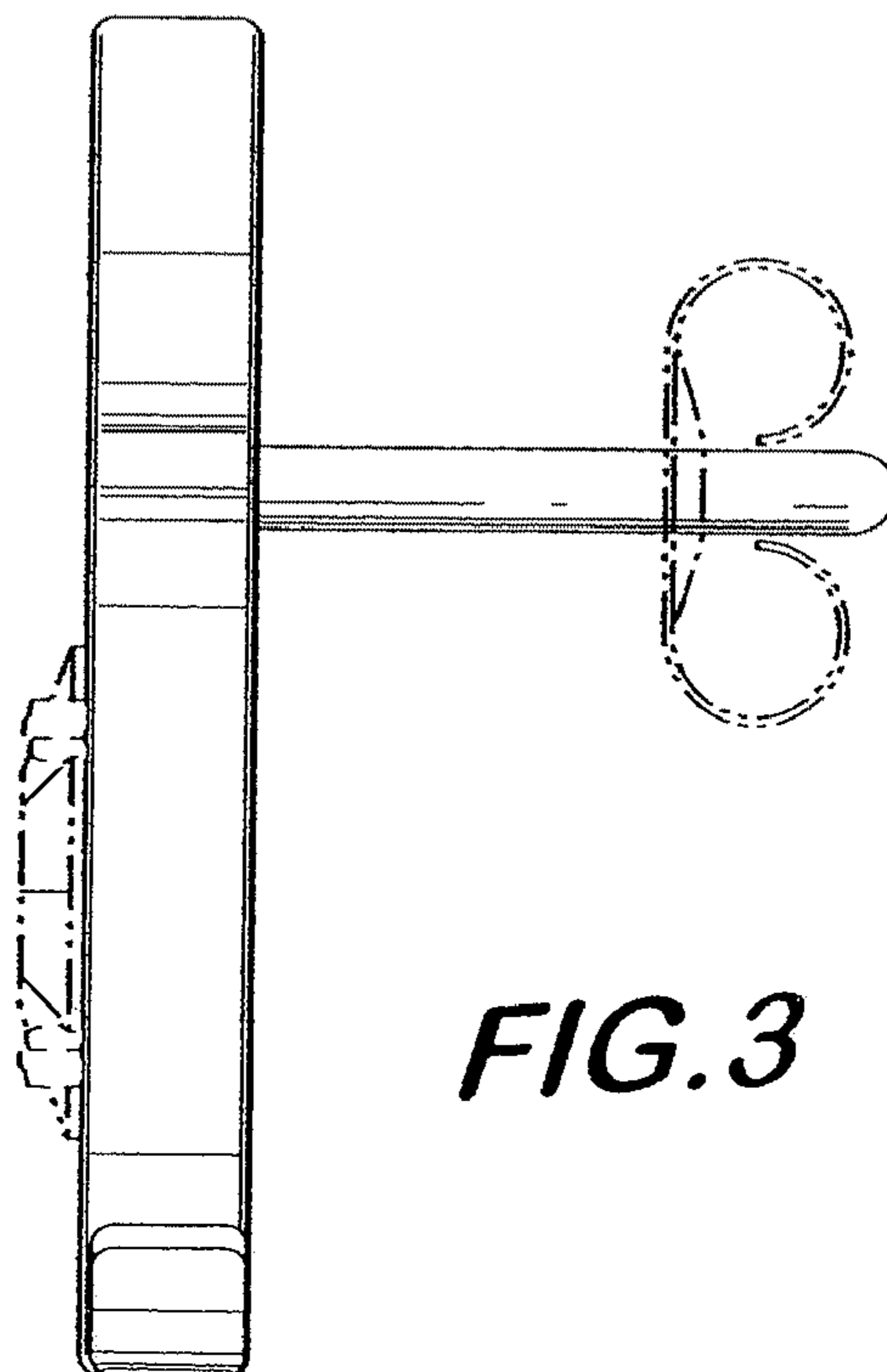
**FIG. 1**



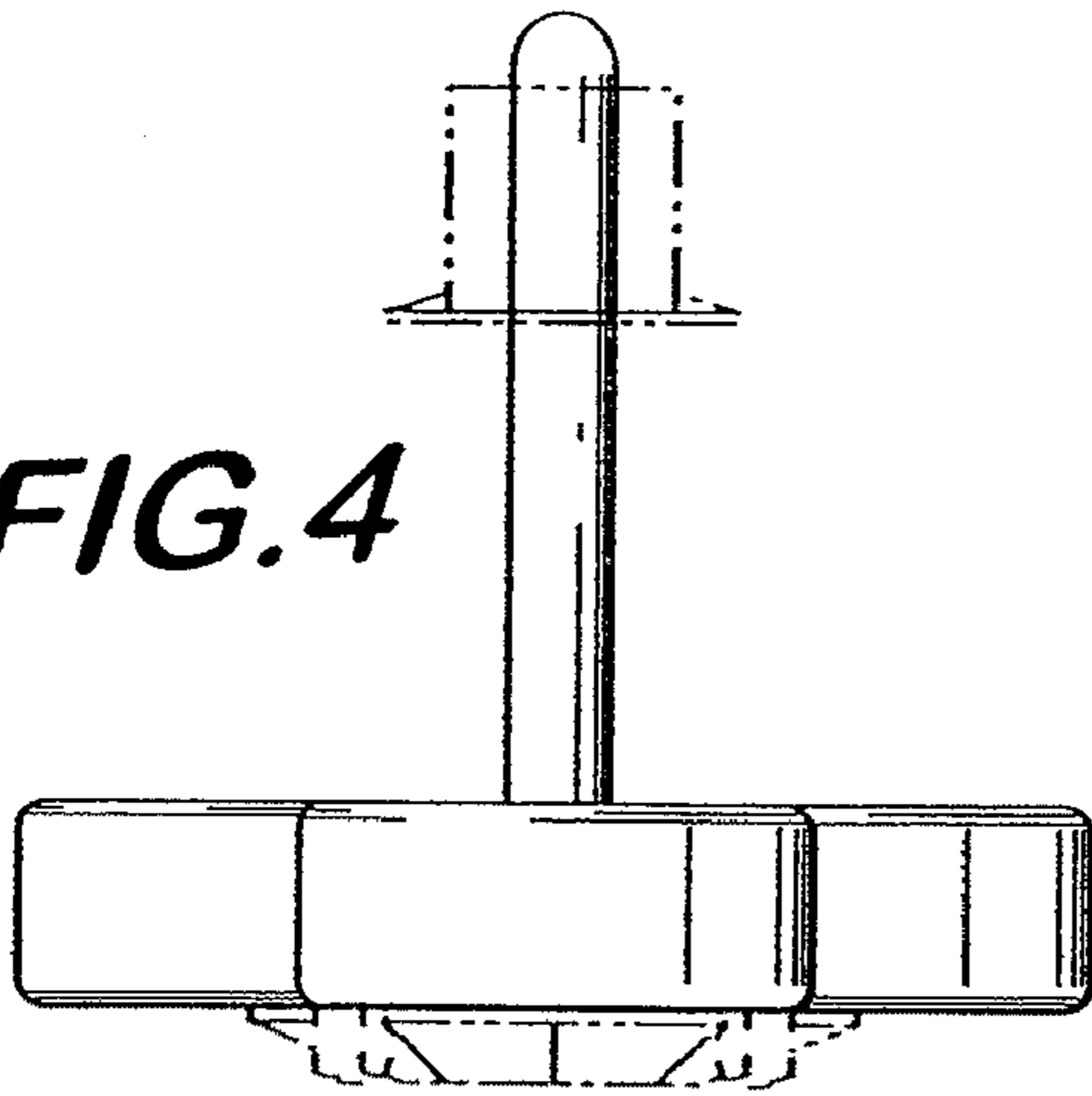
**FIG. 2**



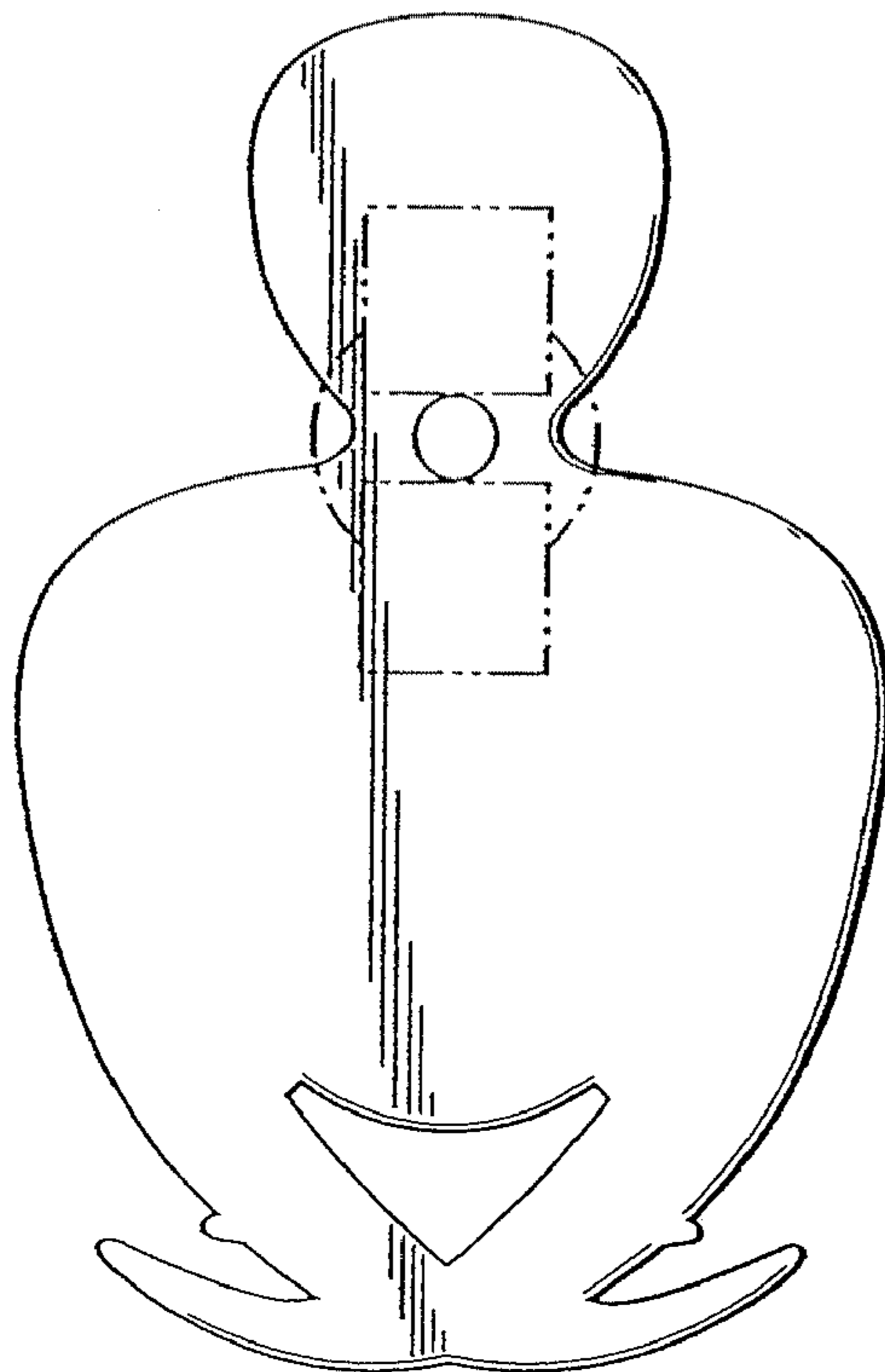
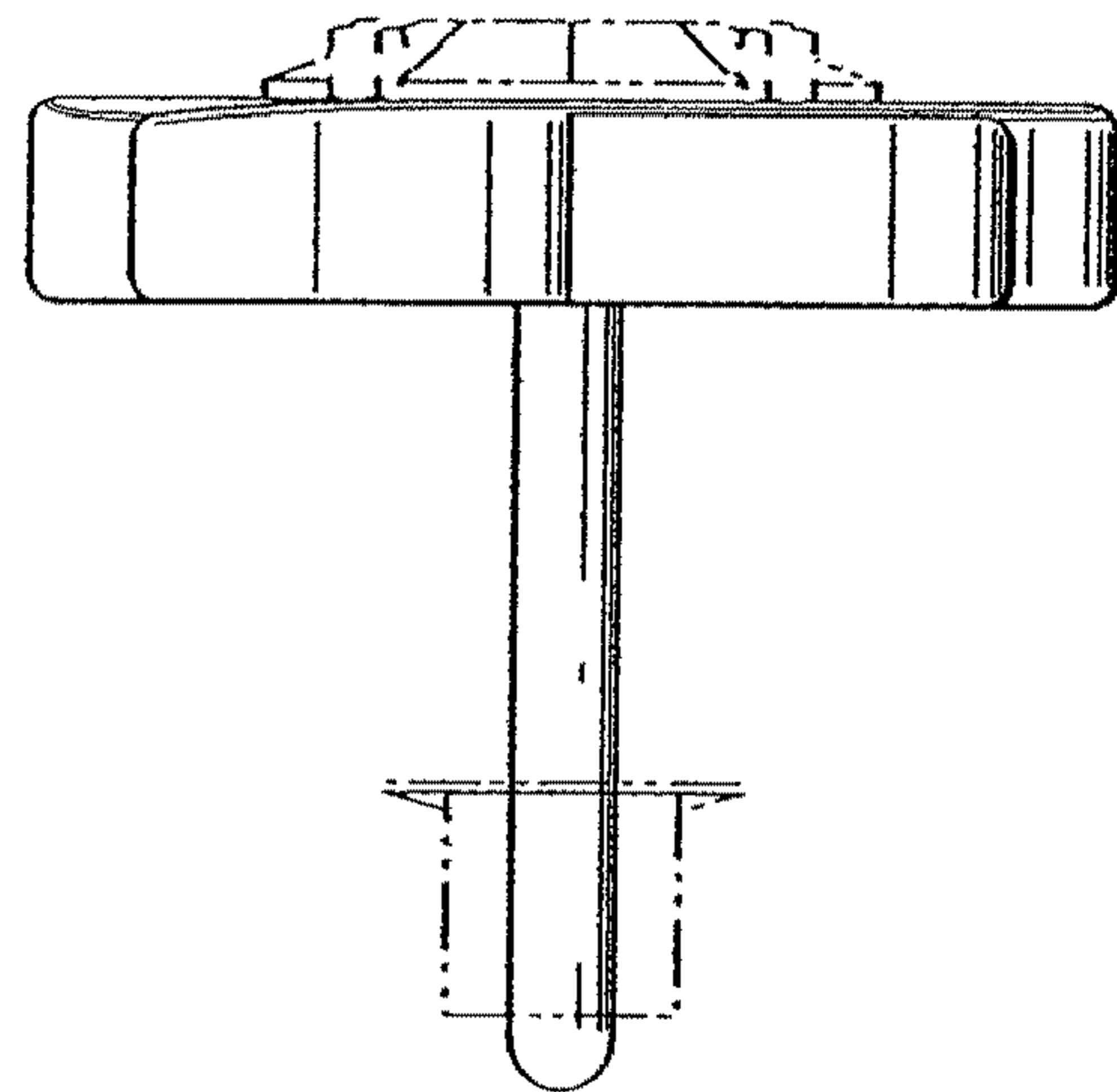
**FIG. 3**



**FIG.4**



**FIG.5**



**FIG.6**