



US00D581305S

(12) **United States Design Patent**
Solow

(10) **Patent No.:** **US D581,305 S**

(45) **Date of Patent:** **** Nov. 25, 2008**

(54) **ELECTROPNEUMATIC HORN**

(76) **Inventor:** **Stanley Solow**, 65 Shelter Hill Rd.,
Plainview, NY (US) 11083

(**) **Term:** **14 Years**

(21) **Appl. No.:** **29/323,232**

(22) **Filed:** **Aug. 21, 2008**

(51) **LOC (8) Cl.** **10-06**

(52) **U.S. Cl.** **D10/120**

(58) **Field of Classification Search** D10/120;
D16/246, 249, 250; D9/765, 772, 424; D14/481;
340/404.1, 288.4, 388.7; 116/142 FP, 137 R
See application file for complete search history.

(56) **References Cited**

U.S. PATENT DOCUMENTS

166,479 A *	8/1875	Rieppel	116/137 R
D37,313 S	1/1905	Berton-Houel		
D46,672 S	11/1914	Hawthorne		
D46,917 S	2/1915	Sparks		
D51,548 S	12/1917	Coulombe		
D52,941 S	2/1919	Aufiero		
D53,220 S	4/1919	Genn		
D55,293 S	5/1920	Marsico		
D55,294 S	5/1920	Marsico		
D55,295 S	5/1920	Marsico		
D70,279 S	6/1926	Jupp		

D73,217 S	8/1927	Abrahams
D73,218 S	8/1927	Abrahams
D74,585 S	2/1928	White
1,730,192 A	10/1929	CritchField
1,841,535 A	1/1932	Hueber et al.

(Continued)

Primary Examiner—Robert M Spear
Assistant Examiner—George D Kirschbaum
(74) *Attorney, Agent, or Firm*—Lackenbach Siegel, LLP

(57) **CLAIM**

The ornamental design for an electropneumatic horn, as shown and described.

DESCRIPTION

FIG. 1 is a front perspective view of an electropneumatic horn showing our new design.

FIG. 2 is a front elevational view thereof.

FIG. 3 is a top plan view thereof.

FIG. 4 is a rear elevated view thereof.

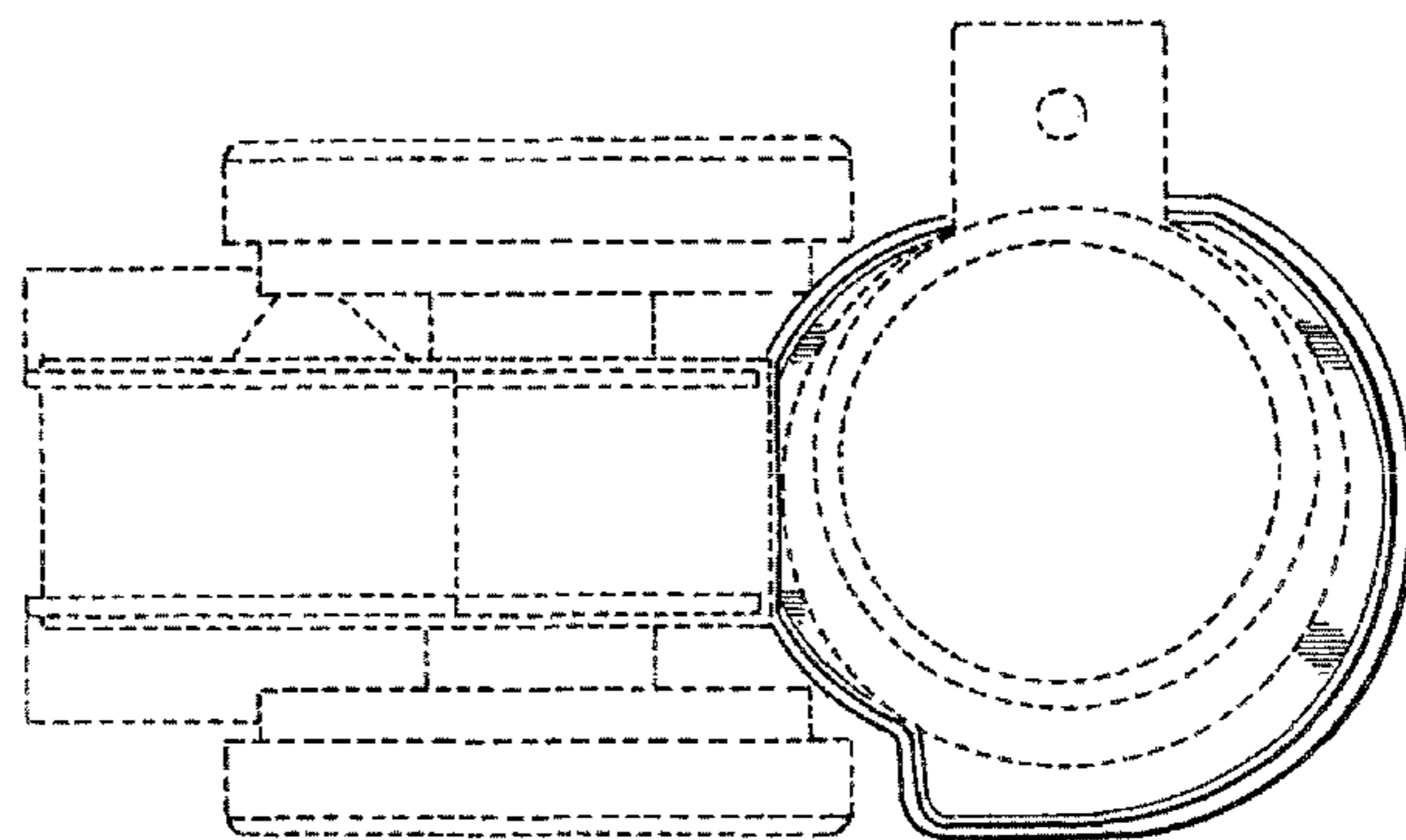
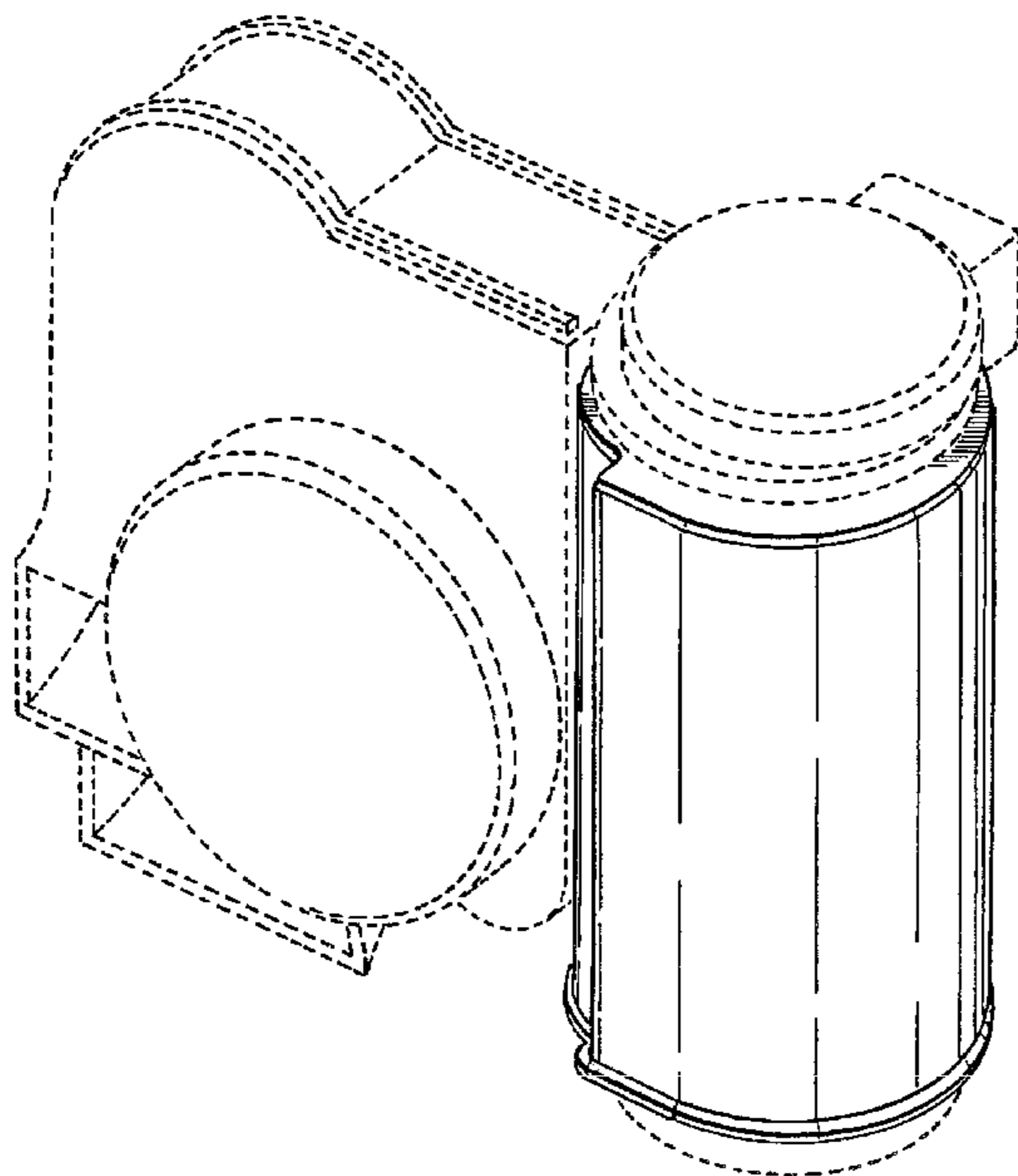
FIG. 5 is a bottom plan view thereof.

FIG. 6 is a right side elevational view thereof; and,

FIG. 7 is left side elevational view thereof.

The broken lines depict unclaimed environmental subject matter.

1 Claim, 4 Drawing Sheets



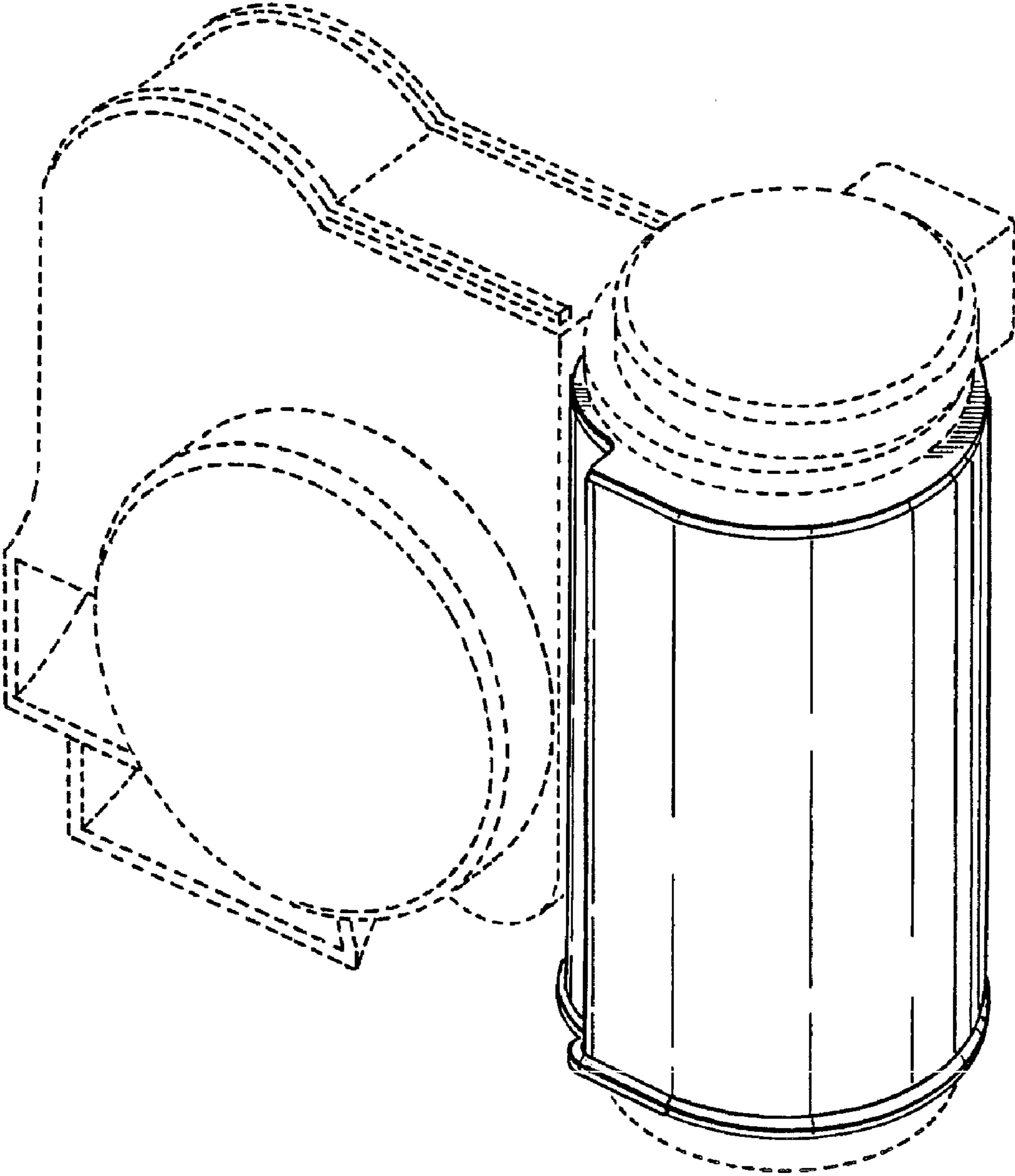
US D581,305 S

Page 2

U.S. PATENT DOCUMENTS					
1,901,187 A	3/1933	Osborne	4,007,703 A	2/1977	Frigo
D99,040 S	3/1936	McBroom	D243,834 S	3/1977	Leeder
D99,177 S	4/1936	Armstrong	D245,488 S *	8/1977	Pappas et al. D10/106
D100,139 S	6/1936	Weld	4,314,522 A	2/1982	Frigo
2,072,625 A *	3/1937	Rose 242/348.4	D275,843 S *	10/1984	Sharenow D10/120
D108,814 S	3/1938	Aufiero	4,796,009 A	1/1989	Bierasch
D108,815 S	3/1938	Aufiero	D301,989 S	7/1989	Arduini et al.
D111,187 S	9/1938	Nielsen	D312,057 S	11/1990	Pilka
D111,188 S	9/1938	Nielsen	D330,549 S *	10/1992	Takahashi D14/481
D111,189 S	9/1938	Nielsen	5,263,435 A	11/1993	Takahashi
D112,883 S	1/1939	MacPhail et al.	D342,673 S *	12/1993	Kataoka et al. D9/424
D112,961 S	1/1939	Nielson	5,420,563 A *	5/1995	Frigo 340/388.1
D113,046 S	1/1939	Nielsen	5,964,978 A	10/1999	Hirooka
D122,160 S	8/1940	Curtis	6,294,984 B1	9/2001	Meister
D124,796 S	1/1941	Peo	6,337,003 B1	1/2002	Kimokiri et al.
3,124,098 A	3/1964	Thoben	6,337,730 B1	1/2002	Ozaki et al.
D206,634 S	1/1967	Guthart	6,796,265 B1	9/2004	Dexter et al.
D215,978 S	11/1969	Berns	6,879,370 B2	4/2005	Yokoue et al.
D222,927 S	2/1972	Tsuhata	7,038,756 B2	5/2006	Yokoue et al.
3,672,300 A *	6/1972	Axelsson et al. 116/137 R	7,360,499 B1 *	4/2008	O'Neill 116/26
3,720,908 A *	3/1973	McCoy et al. 367/148	7,370,600 B2 *	5/2008	Tomassetti et al. 116/3
3,846,792 A	11/1974	Haigh	2004/0246110 A1 *	12/2004	Di Giovanni et al. 340/388.1
3,886,546 A	5/1975	Ueda	2005/0190339 A1	9/2005	Yokoue et al.
			2006/0243190 A1 *	11/2006	Cohen 116/137 R

* cited by examiner

Fig. 1



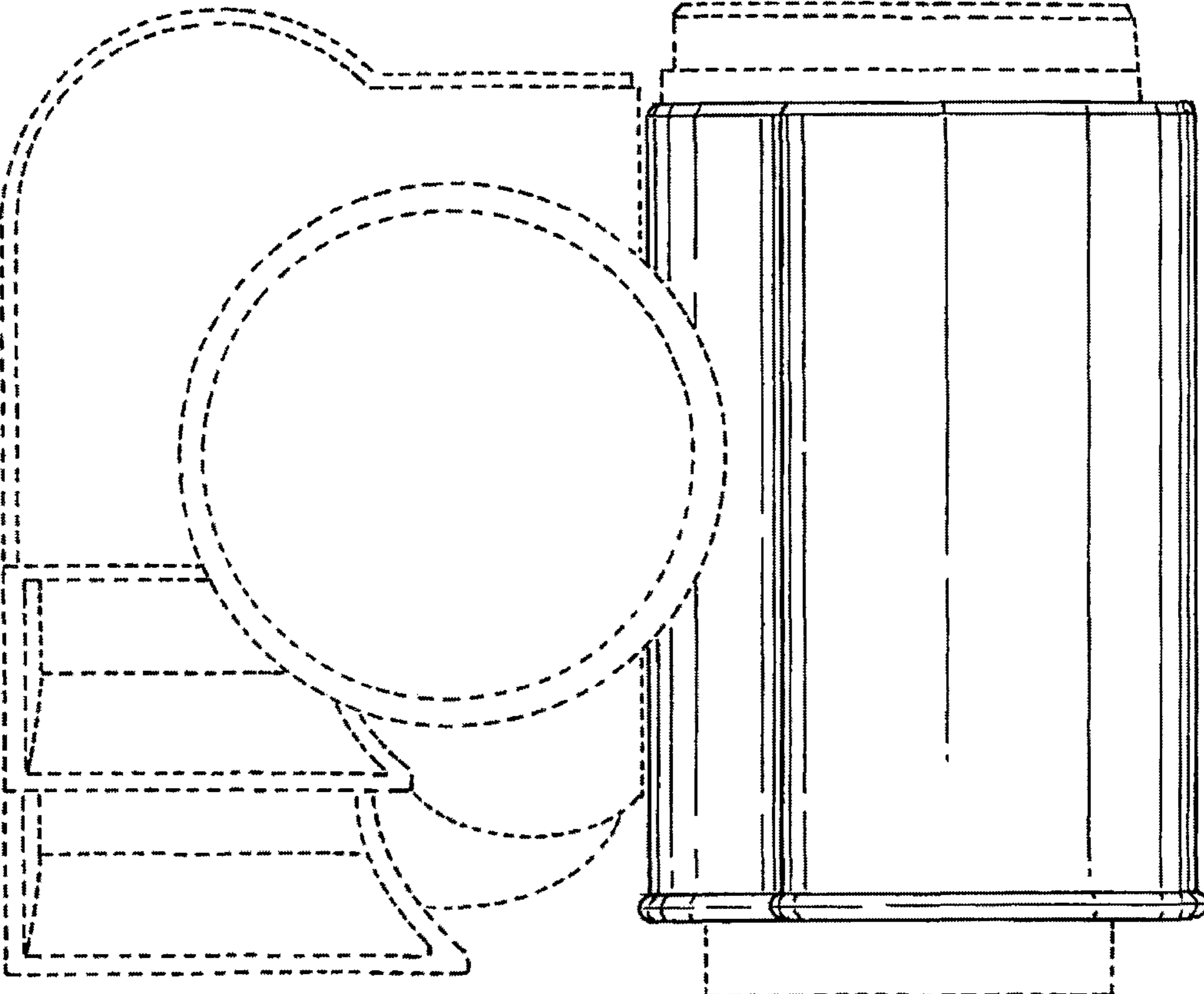


Fig. 2

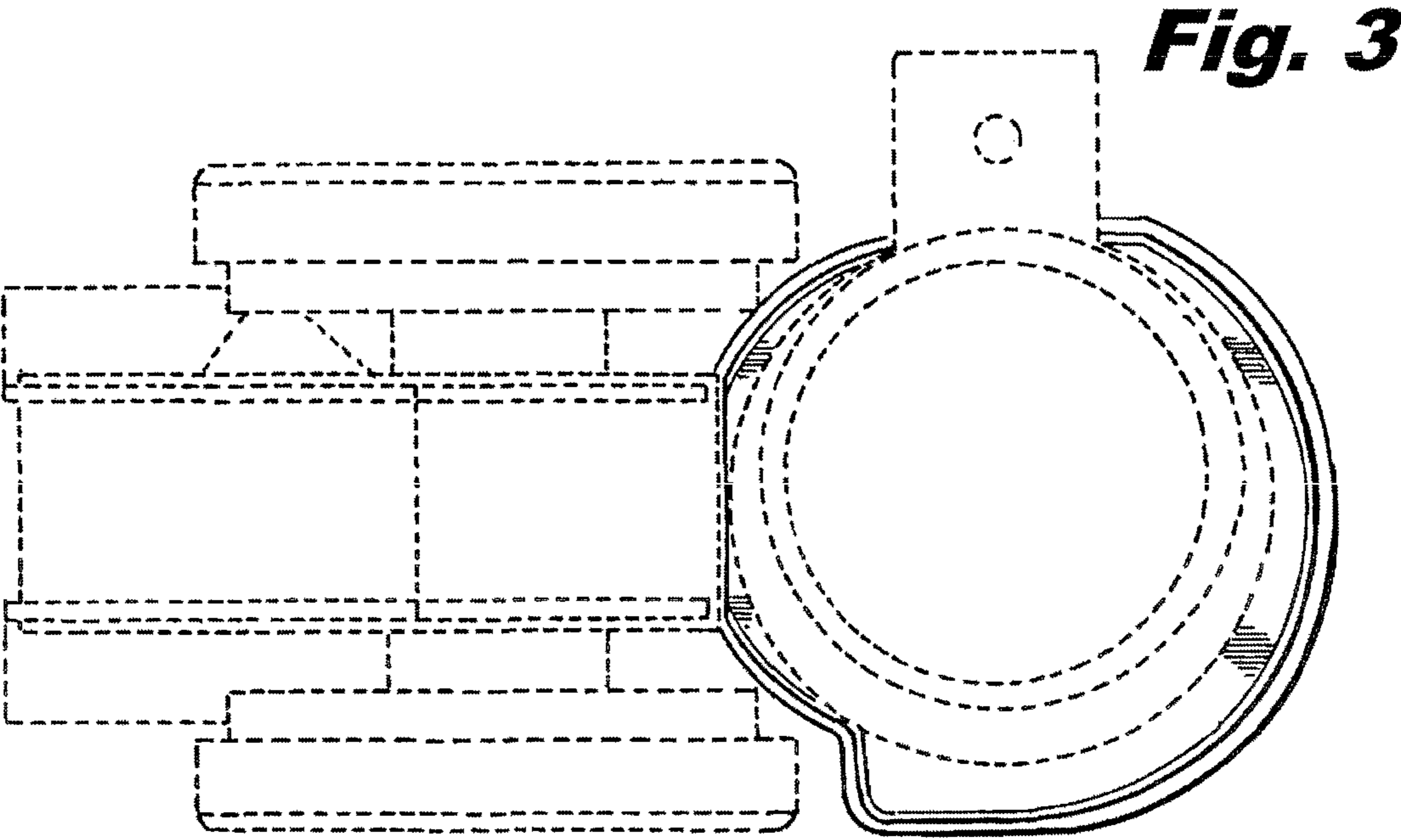


Fig. 3

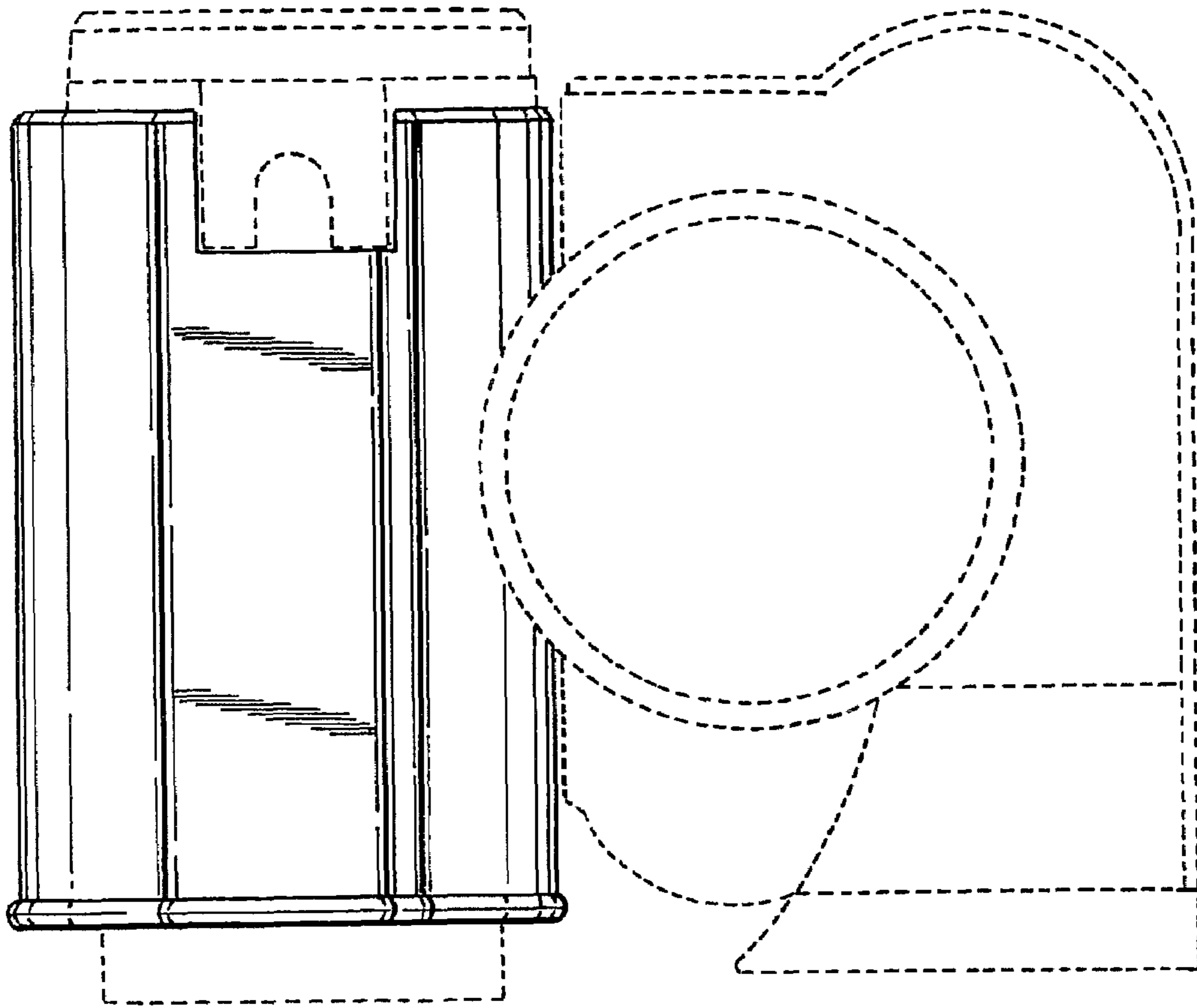
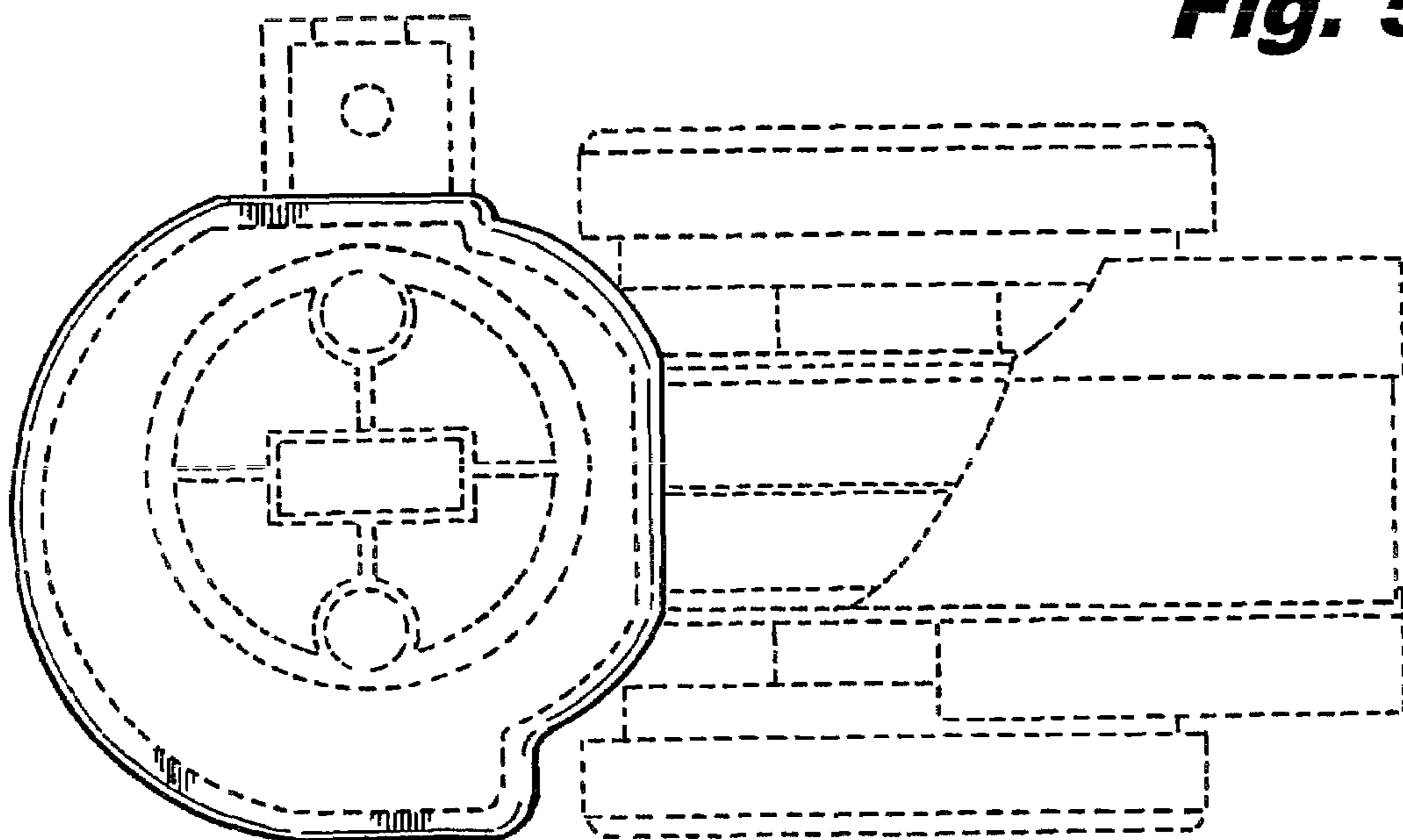


Fig. 4

Fig. 5



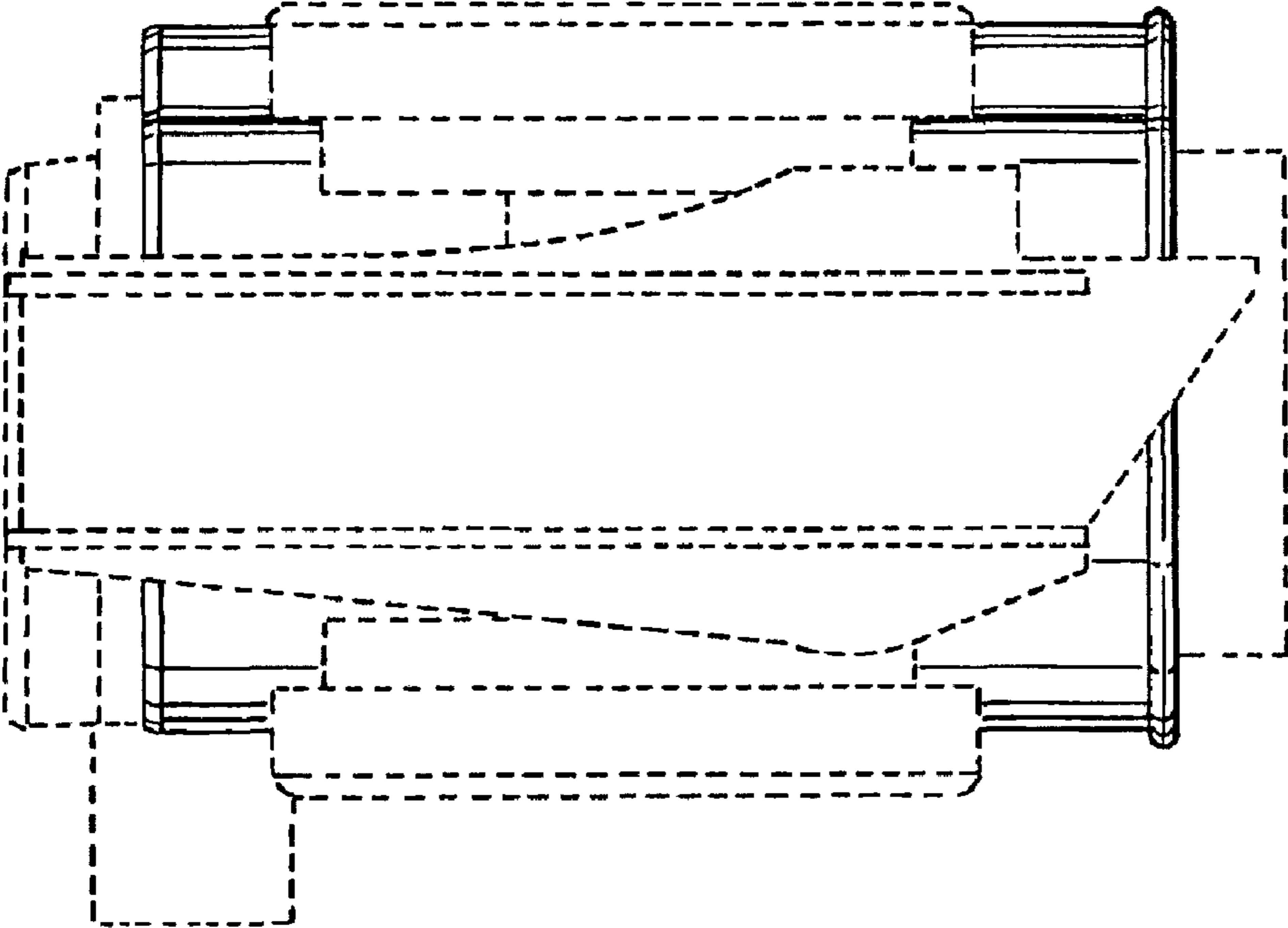


Fig. 7

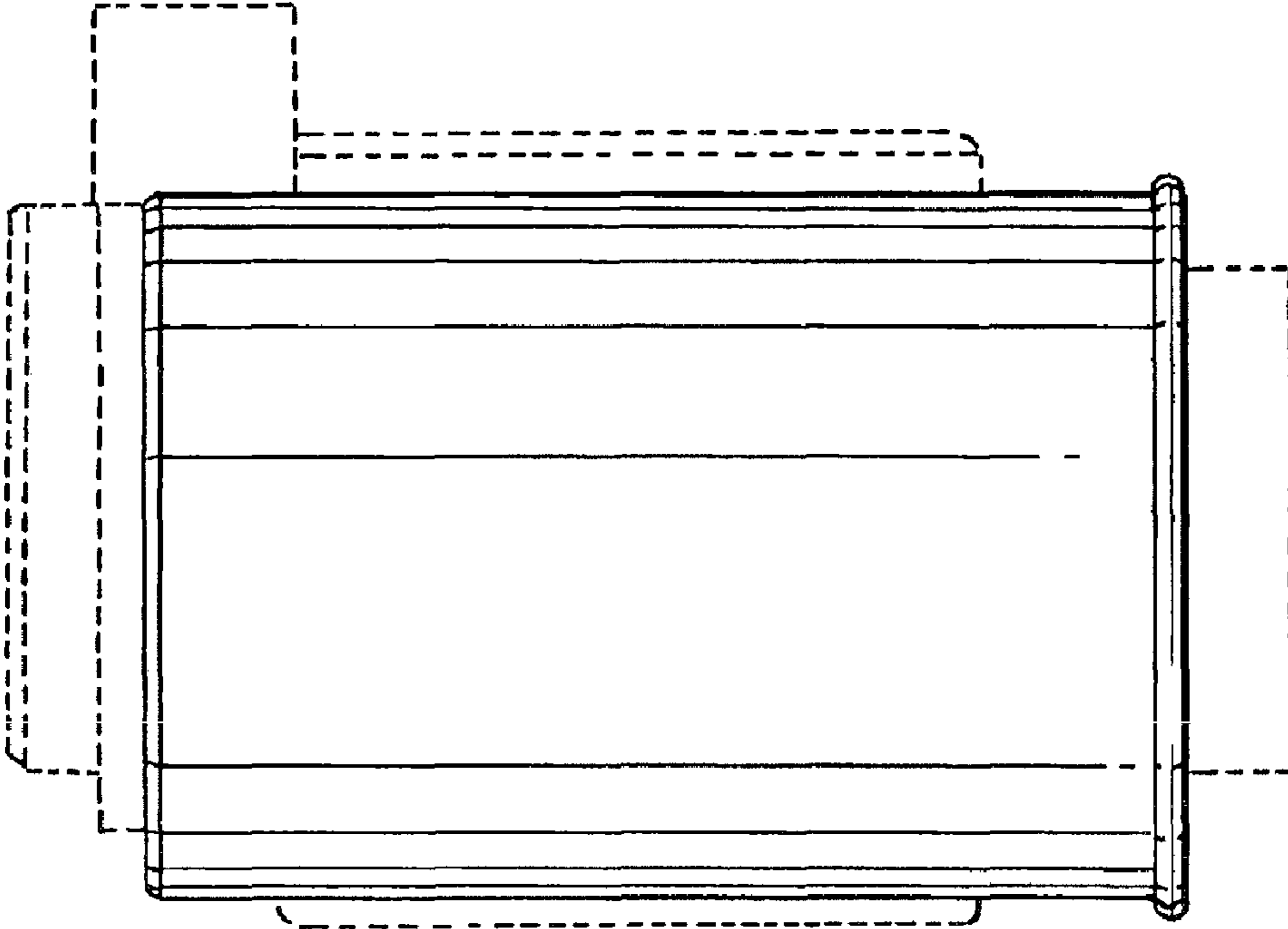


Fig. 6