



US00D581304S

(12) **United States Design Patent**  
**Phillips**

(10) **Patent No.:** **US D581,304 S**

(45) **Date of Patent:** **\*\* Nov. 25, 2008**

(54) **FLOOR WARNING SIGN**

(76) **Inventor:** **Maurice L. Phillips**, 539 Newton Ave.  
N., Minneapolis, MN (US) 55405-1146

(\*\*) **Term:** **14 Years**

(21) **Appl. No.:** **29/288,982**

(22) **Filed:** **Jul. 2, 2007**

(51) **LOC (8) Cl.** ..... **10-05**

(52) **U.S. Cl.** ..... **D10/109; D10/113**

(58) **Field of Classification Search** ..... D10/109,  
D10/113; 116/63 R, 209; 404/9-16; 359/519;  
220/576; 248/163.1; 340/473; 362/190,  
362/542; 40/607.04; D26/66, 68, 51; D27/123  
See application file for complete search history.

(56) **References Cited**

**U.S. PATENT DOCUMENTS**

2,031,507	A *	2/1936	Rothenberg	.....	362/190
4,928,415	A	5/1990	Walters		
5,122,781	A *	6/1992	Saubolle	.....	340/473
5,155,667	A *	10/1992	Ho	.....	362/190
5,278,735	A *	1/1994	Her	.....	362/542
D355,273	S *	2/1995	Steddom	.....	D26/66
5,570,972	A	11/1996	Glass et al.		
5,729,215	A	3/1998	Jutras		
D411,810	S	7/1999	Stockman		
6,003,257	A	12/1999	Stokes		
6,035,567	A *	3/2000	Cameron	.....	40/607.04

D445,054	S *	7/2001	Despino et al.	.....	D10/113
D515,730	S *	2/2006	Weiss et al.	.....	D27/123
7,048,240	B2 *	5/2006	Coleman	.....	248/163.1
2002/0162844	A1 *	11/2002	Luedecke et al.	.....	220/576
2003/0115783	A1	6/2003	Woosley		
2004/0163292	A1	8/2004	Wilson		
2006/0096992	A1 *	5/2006	Weiss et al.	.....	220/576

\* cited by examiner

*Primary Examiner*—Robert M. Spear  
*Assistant Examiner*—George D Kirschbaum

(57) **CLAIM**

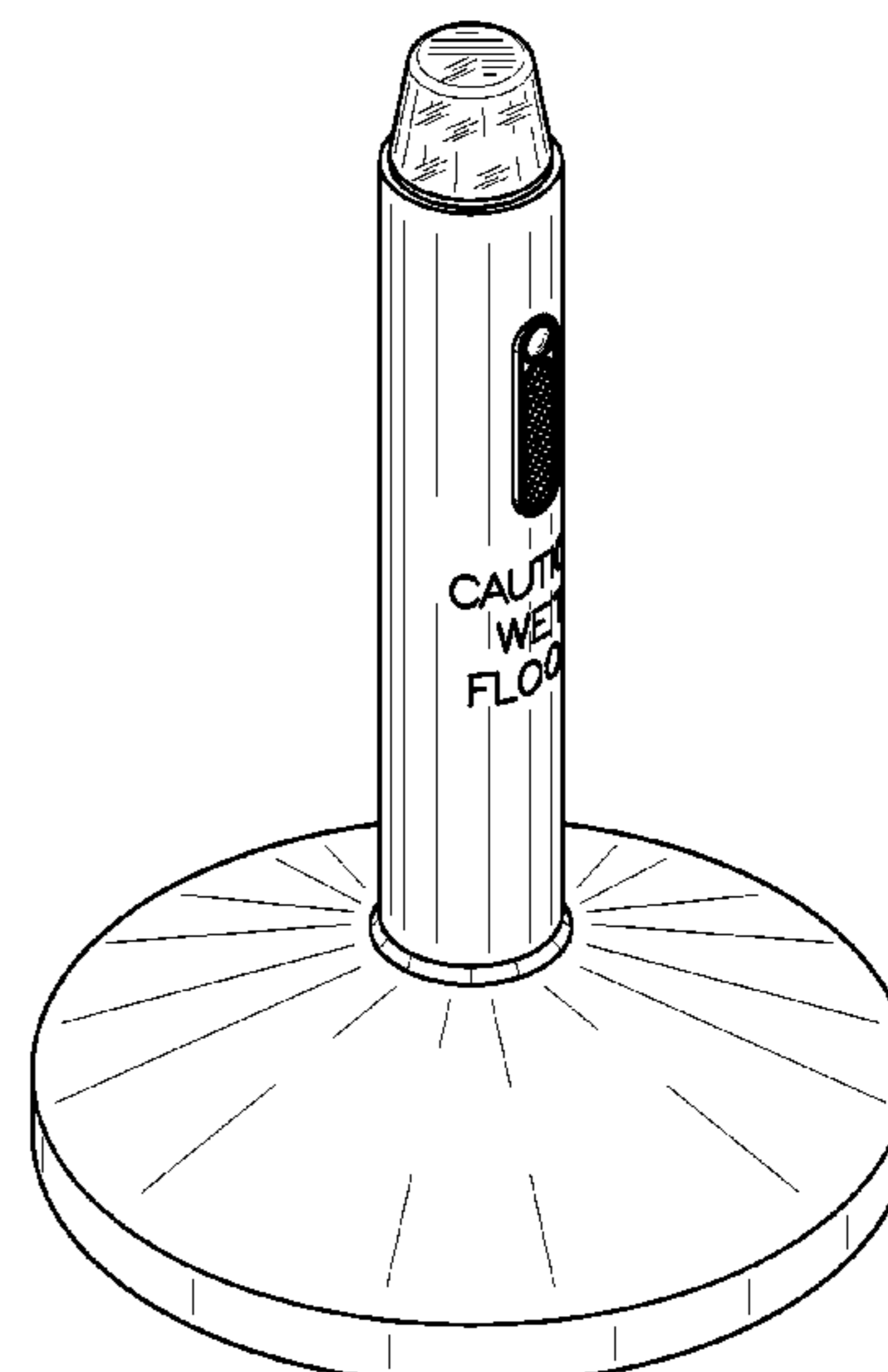
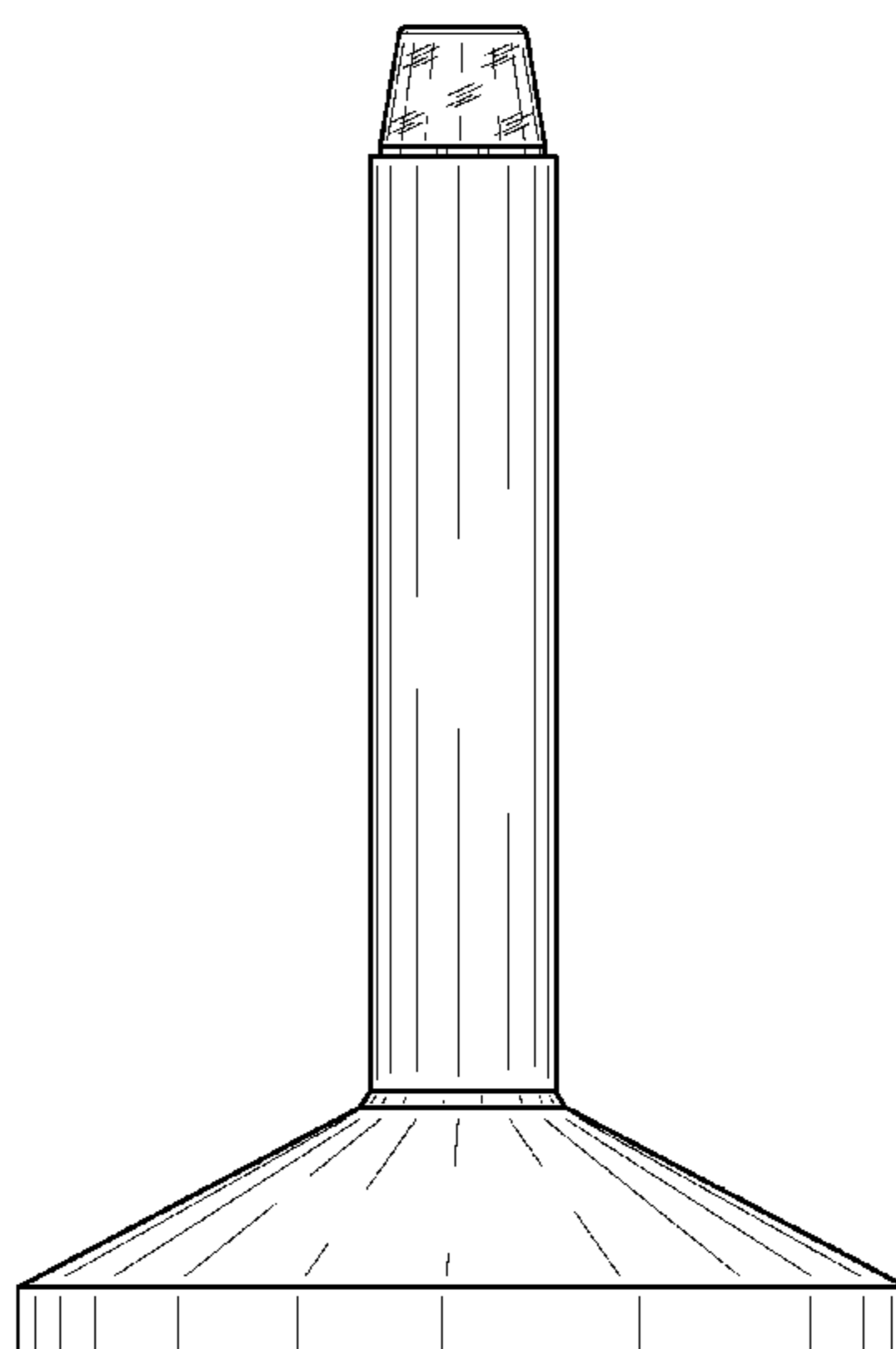
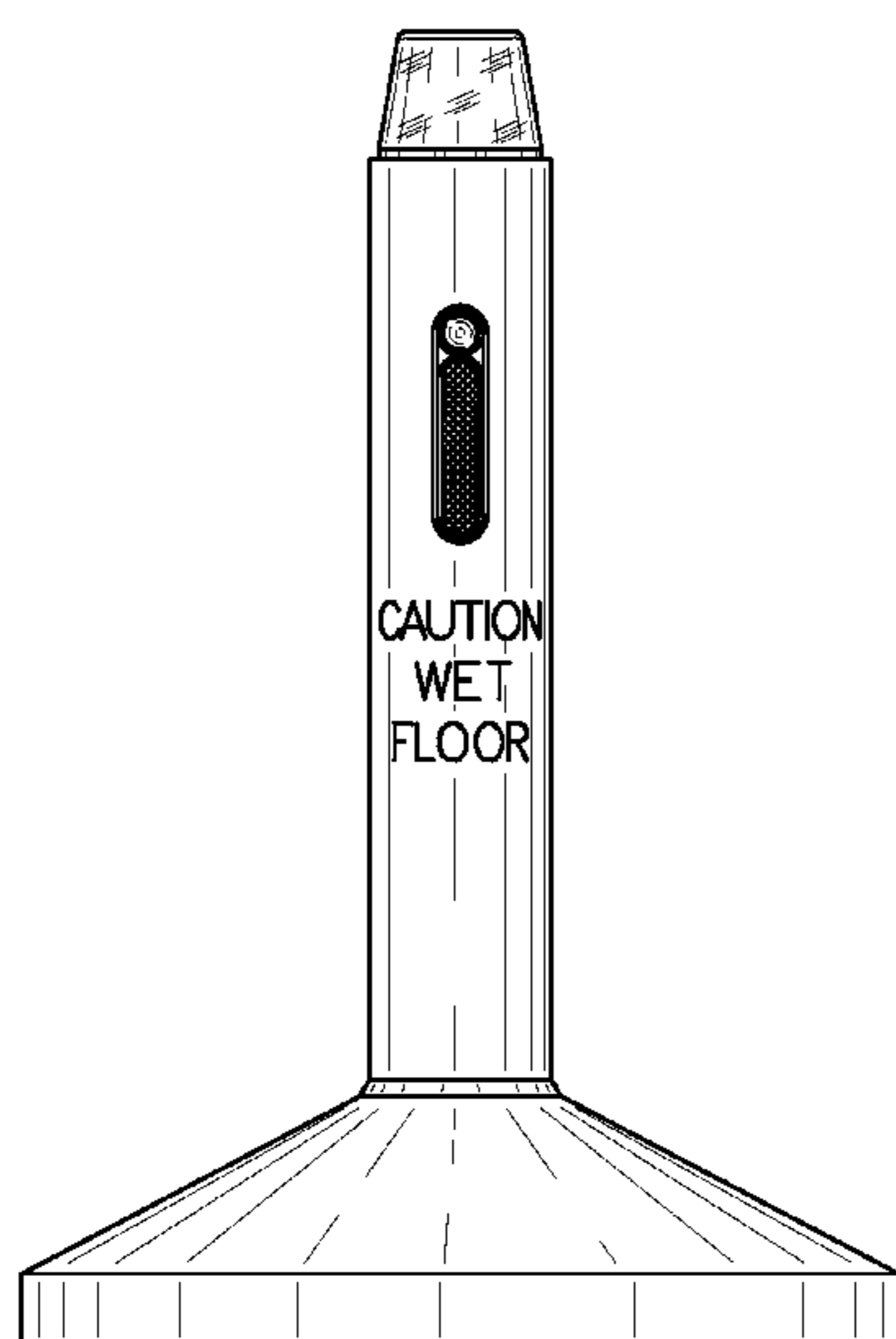
The ornamental design for a floor warning sign, as shown and described.

**DESCRIPTION**

FIG. 1 is an elevated front view of the floor warning sign.  
FIG. 2 is an elevated rear view of the floor warning sign.  
FIG. 3 is an elevated right side view of the floor warning sign.  
FIG. 4 is an elevated left side view of the floor warning sign.  
FIG. 5 is a top view of the floor warning sign;  
FIG. 6 is a bottom view of the floor warning sign; and,  
FIG. 7 is an elevated, isometric right side view of the floor warning sign.

The broken line showing of a battery cover in FIG. 6 forms no part of the claim.

**1 Claim, 4 Drawing Sheets**



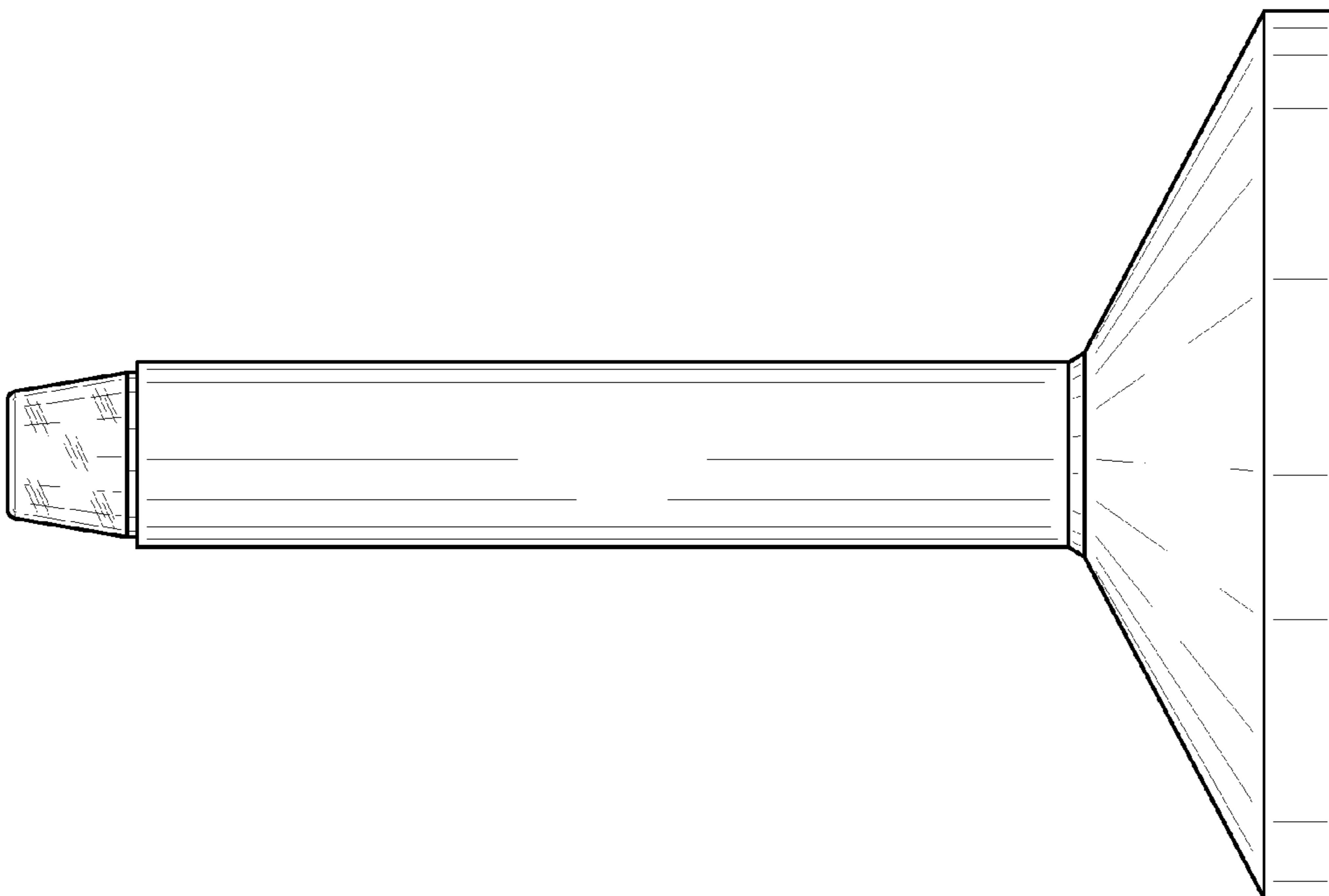


FIG. 2

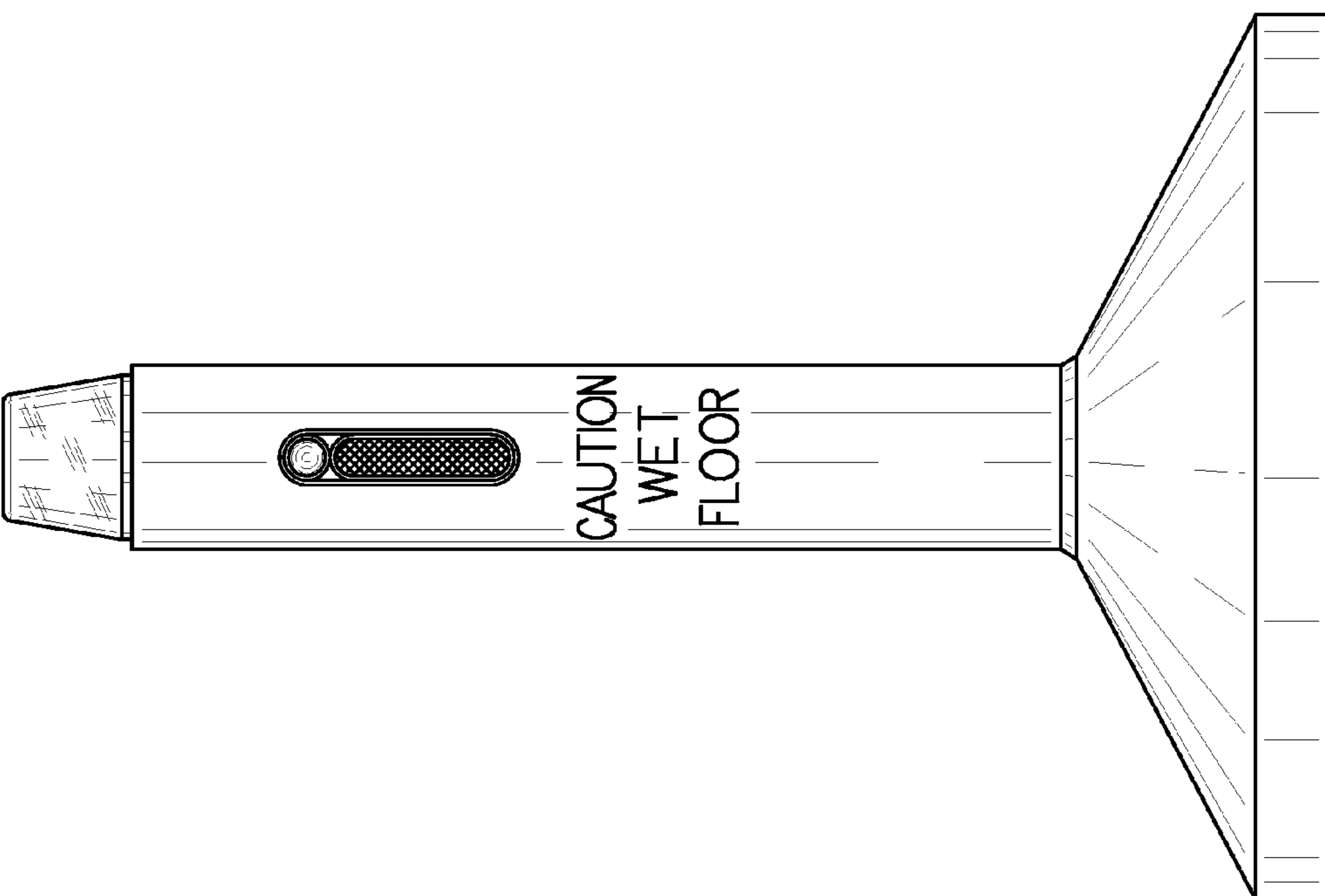


FIG. 1

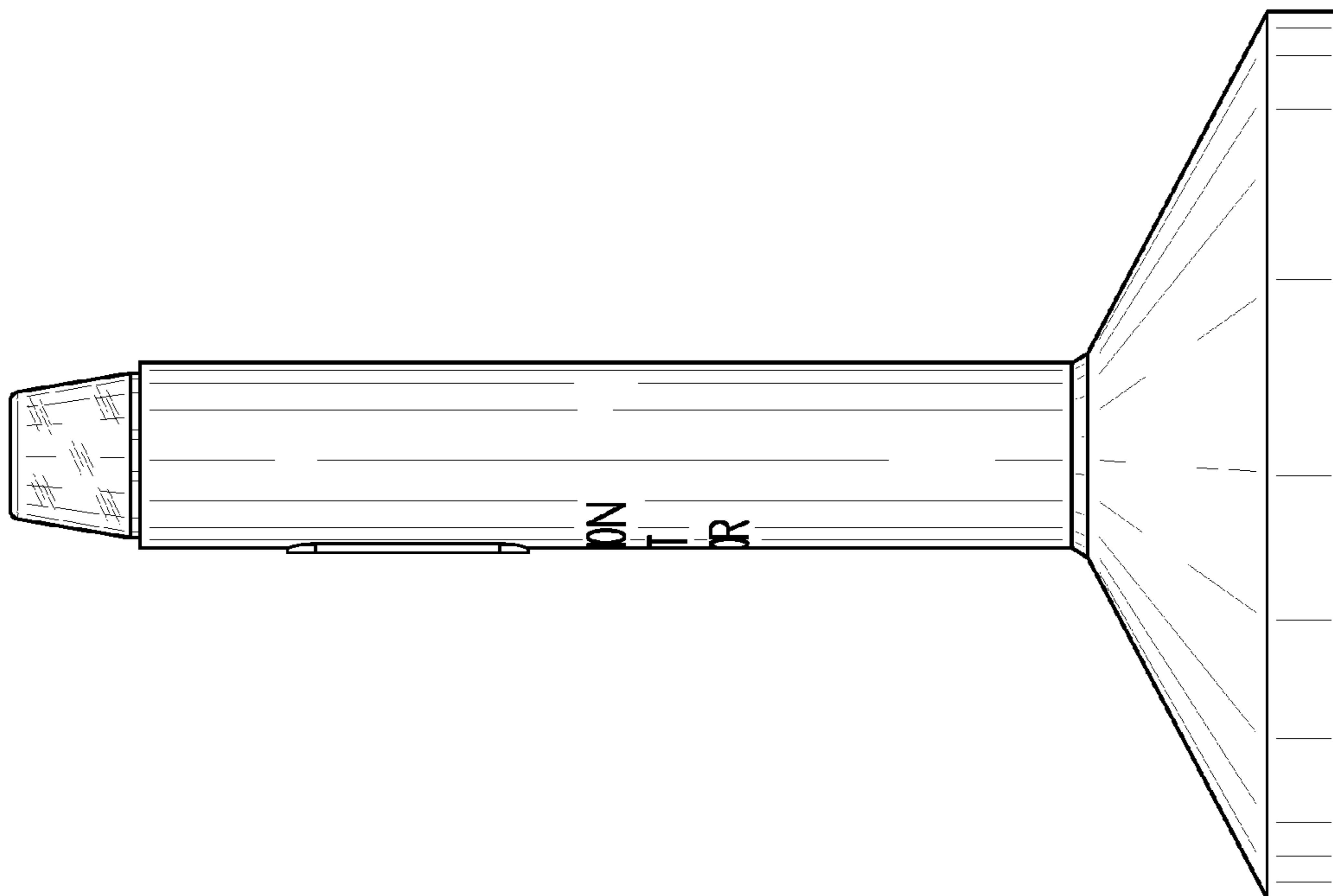


FIG. 4

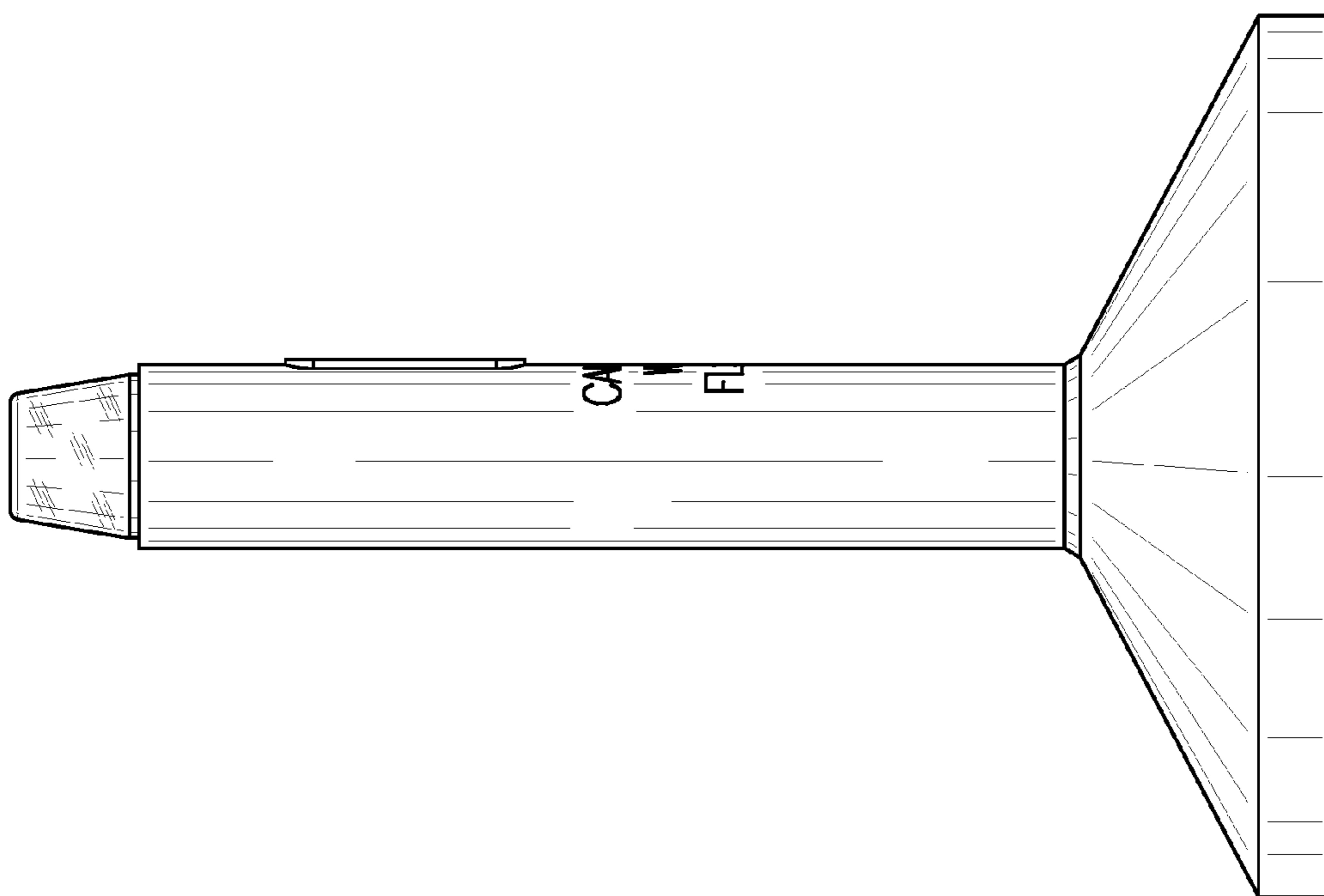


FIG. 3

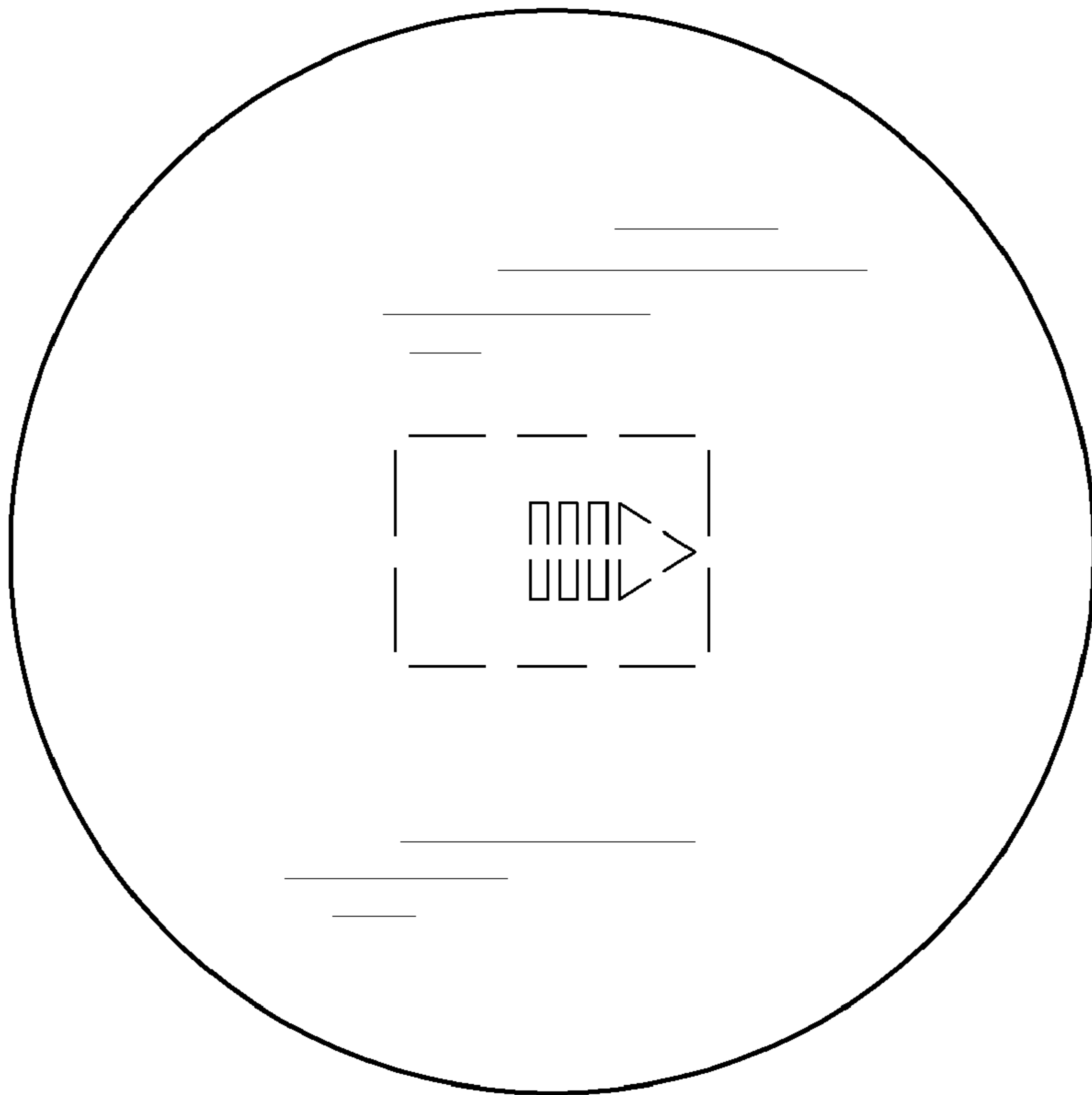


FIG. 6

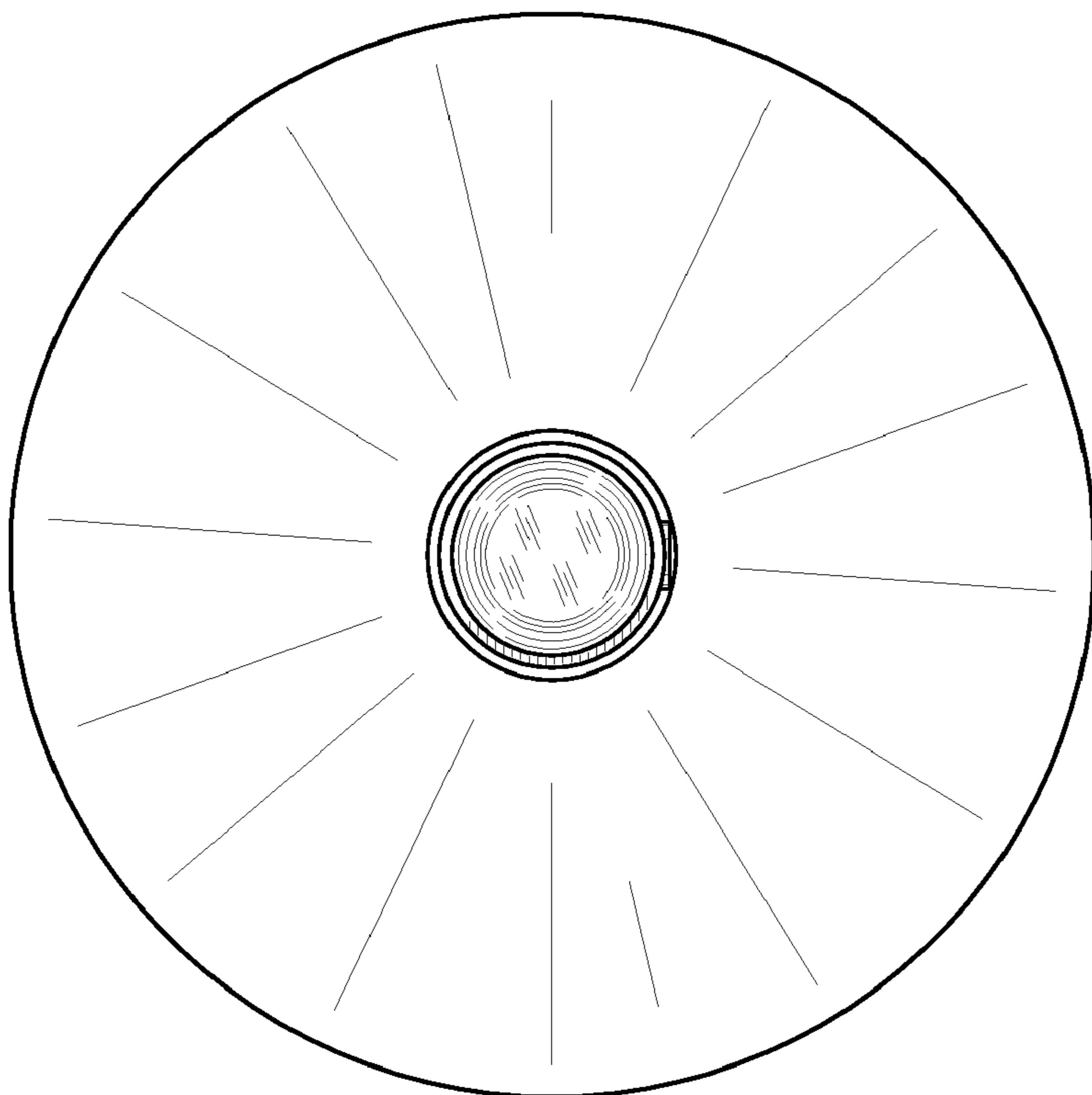


FIG. 5

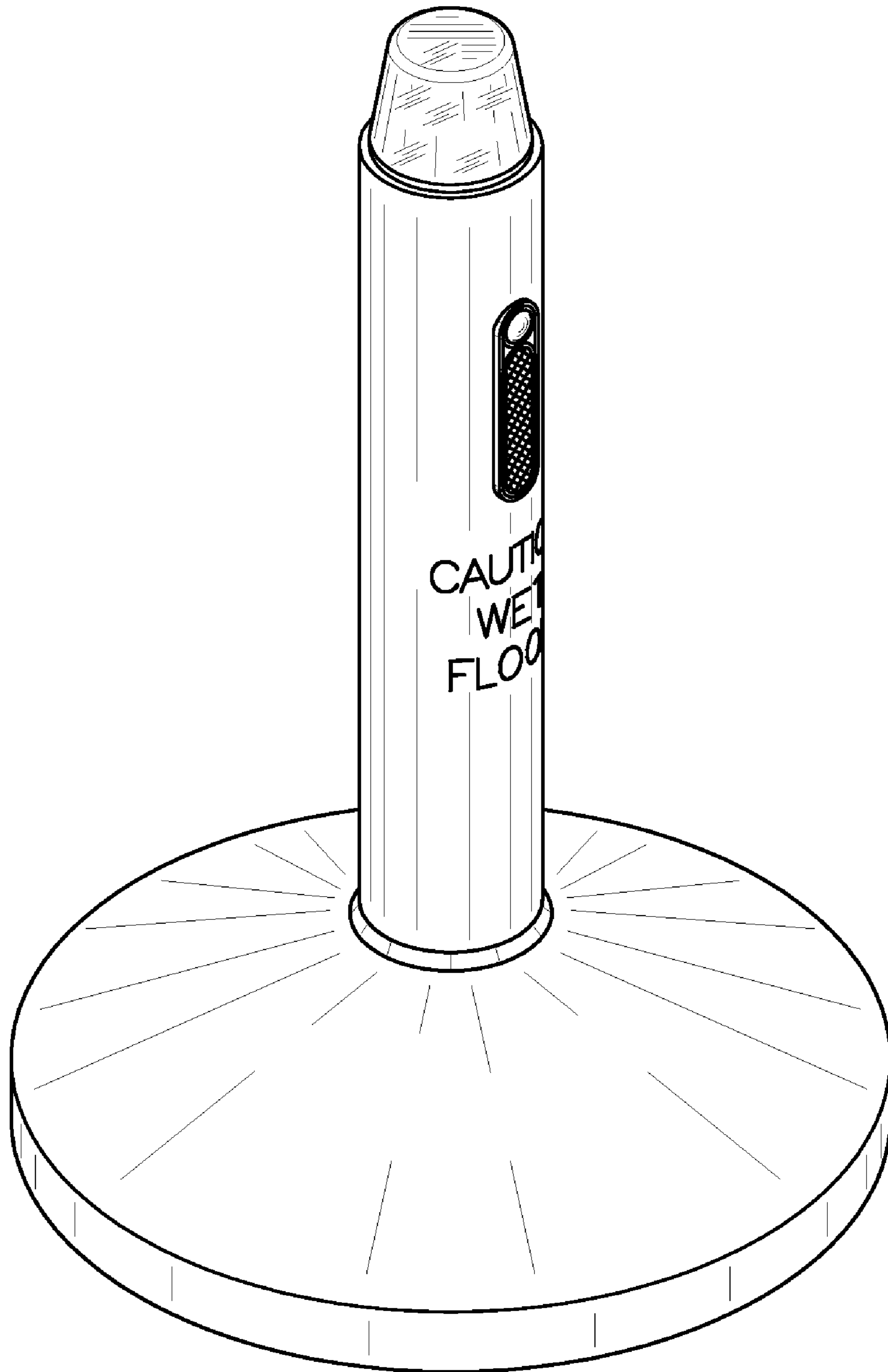


FIG. 7