



US00D581303S

(12) **United States Design Patent**  
**Concari**

(10) **Patent No.:** **US D581,303 S**

(45) **Date of Patent:** **\*\* \*Nov. 25, 2008**

(54) **SECURITY DEVICE**

(75) Inventor: **Gabriel Concari**, Eldersburg, MD (US)

(73) Assignee: **Black & Decker Inc.**, Newark, DE (US)

(\*) Notice: This patent is subject to a terminal disclaimer.

(\*\*) Term: **14 Years**

(21) Appl. No.: **29/264,092**

(22) Filed: **Aug. 3, 2006**

(51) **LOC (8) Cl.** ..... **10-05**

(52) **U.S. Cl.** ..... **D10/104**

(58) **Field of Classification Search** ..... D10/104-121;  
340/521, 540, 555, 556, 557, 565, 600, 628,  
340/629, 630

See application file for complete search history.

(56) **References Cited**

**U.S. PATENT DOCUMENTS**

D222,897 S *	1/1972	White	.....	D10/106
D258,807 S *	4/1981	Reichl	.....	D10/106
D346,982 S *	5/1994	Greene et al.	.....	D10/106
D348,410 S	7/1994	Adams et al.		
D356,049 S *	3/1995	Hock	.....	D10/106
D369,308 S *	4/1996	Pun	.....	D10/106
D390,797 S *	2/1998	Yao et al.	.....	D10/106
D399,155 S *	10/1998	Roberts	.....	D10/106
D408,783 S	4/1999	Lucaci et al.		

D409,936 S	5/1999	Baldwin et al.
D424,464 S	5/2000	Stephens
D441,713 S	5/2001	Gartrell
D442,939 S	5/2001	Goldenburg
D446,185 S	8/2001	Saastamoinen et al.
D457,456 S	5/2002	Holland
D486,785 S	2/2004	Shindo
D494,881 S	8/2004	Niemi et al.
D516,445 S	3/2006	DiPasquale
D519,394 S	4/2006	DiPasquale
D527,296 S	8/2006	Concari et al.

\* cited by examiner

*Primary Examiner*—Robert M. Spear

*Assistant Examiner*—George D. Kirschbaum, Jr.

(74) *Attorney, Agent, or Firm*—Joseph F. Key

(57) **CLAIM**

The ornamental design for a security device, as shown and described.

**DESCRIPTION**

FIG. 1 is a left/front perspective view of the security device.

FIG. 2 is a front view thereof.

FIG. 3 is a rear view thereof.

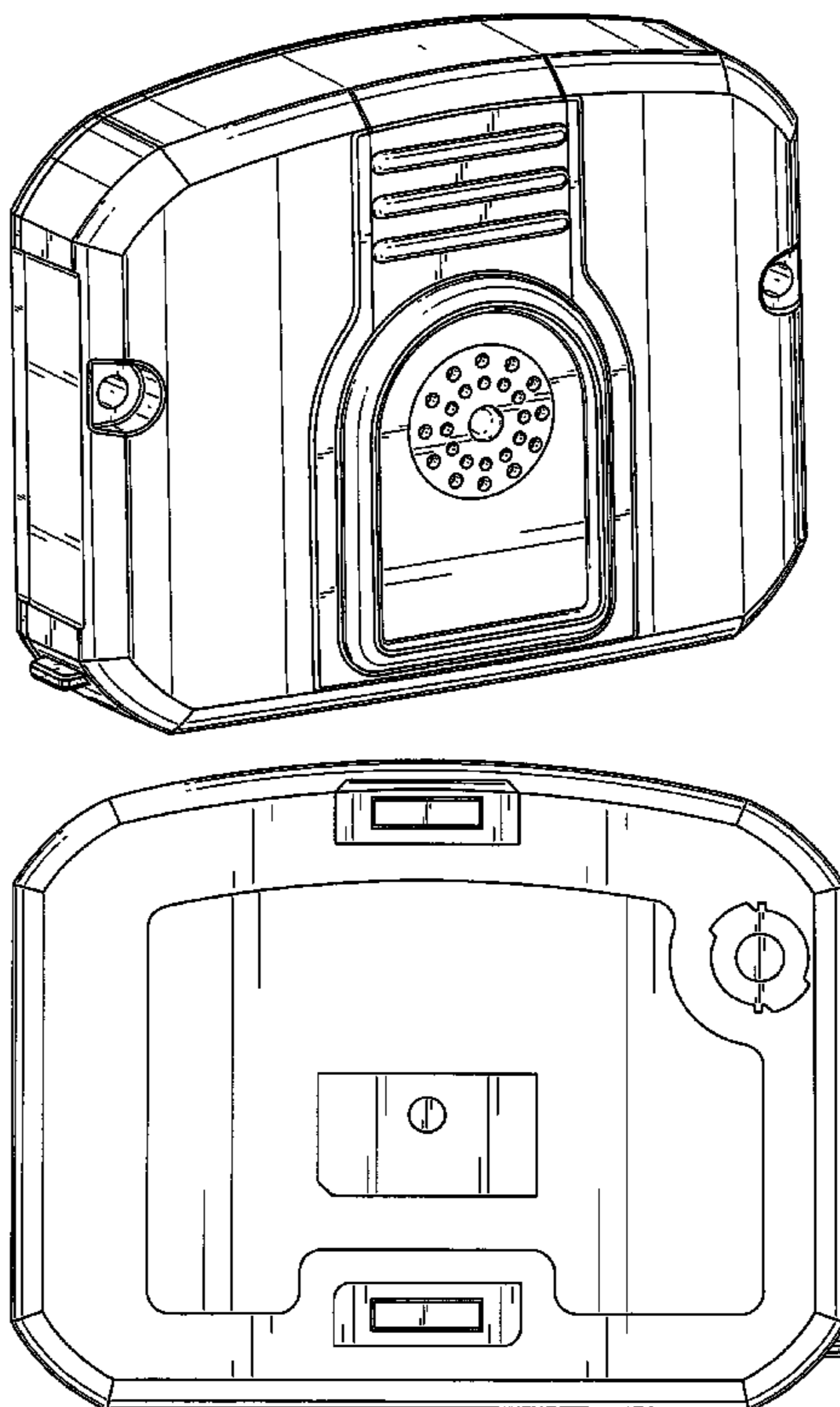
FIG. 4 is a left side view thereof.

FIG. 5 is a right side view thereof.

FIG. 6 is top view thereof; and,

FIG. 7 is a bottom view thereof.

**1 Claim, 5 Drawing Sheets**



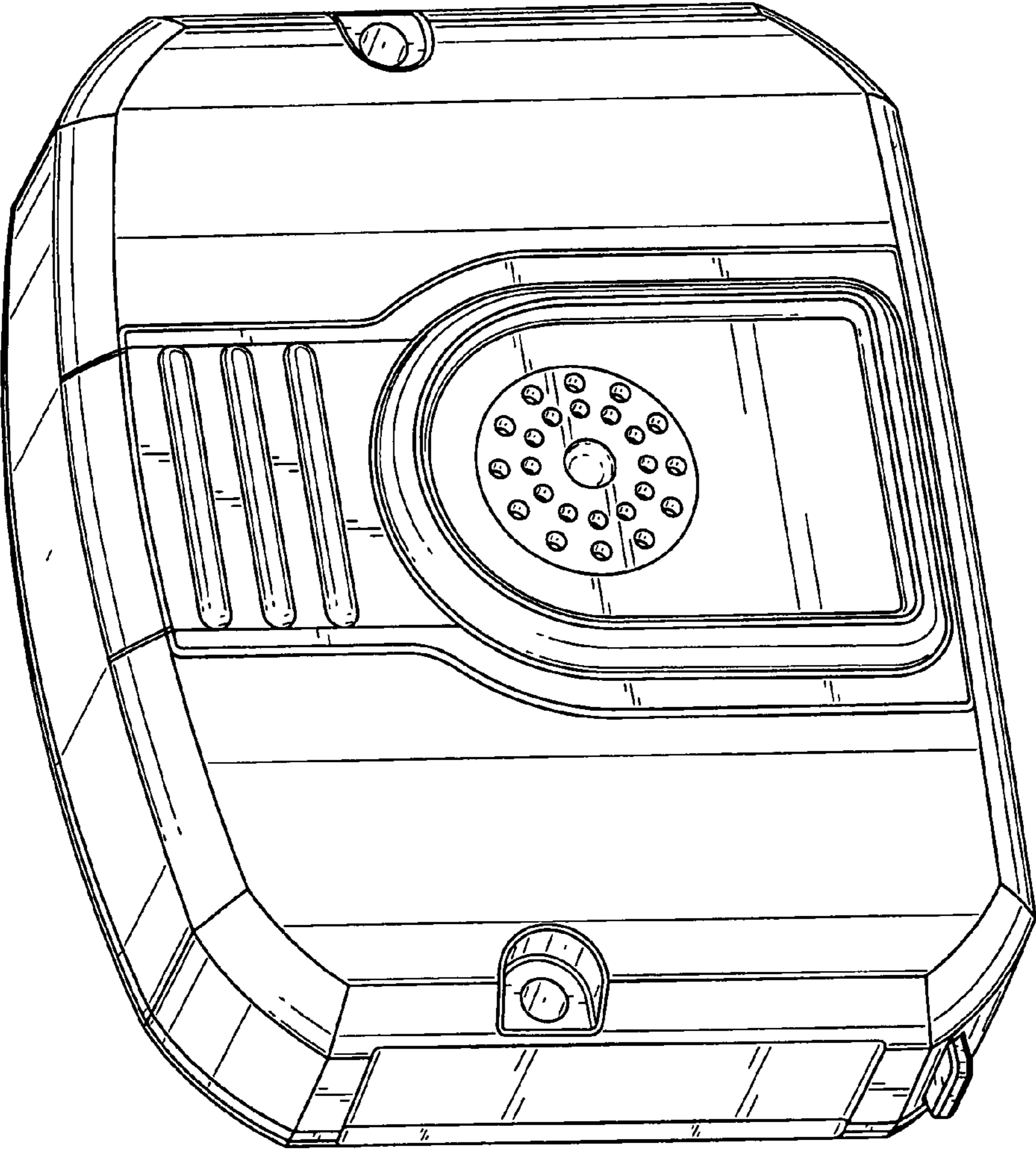


FIG. 1

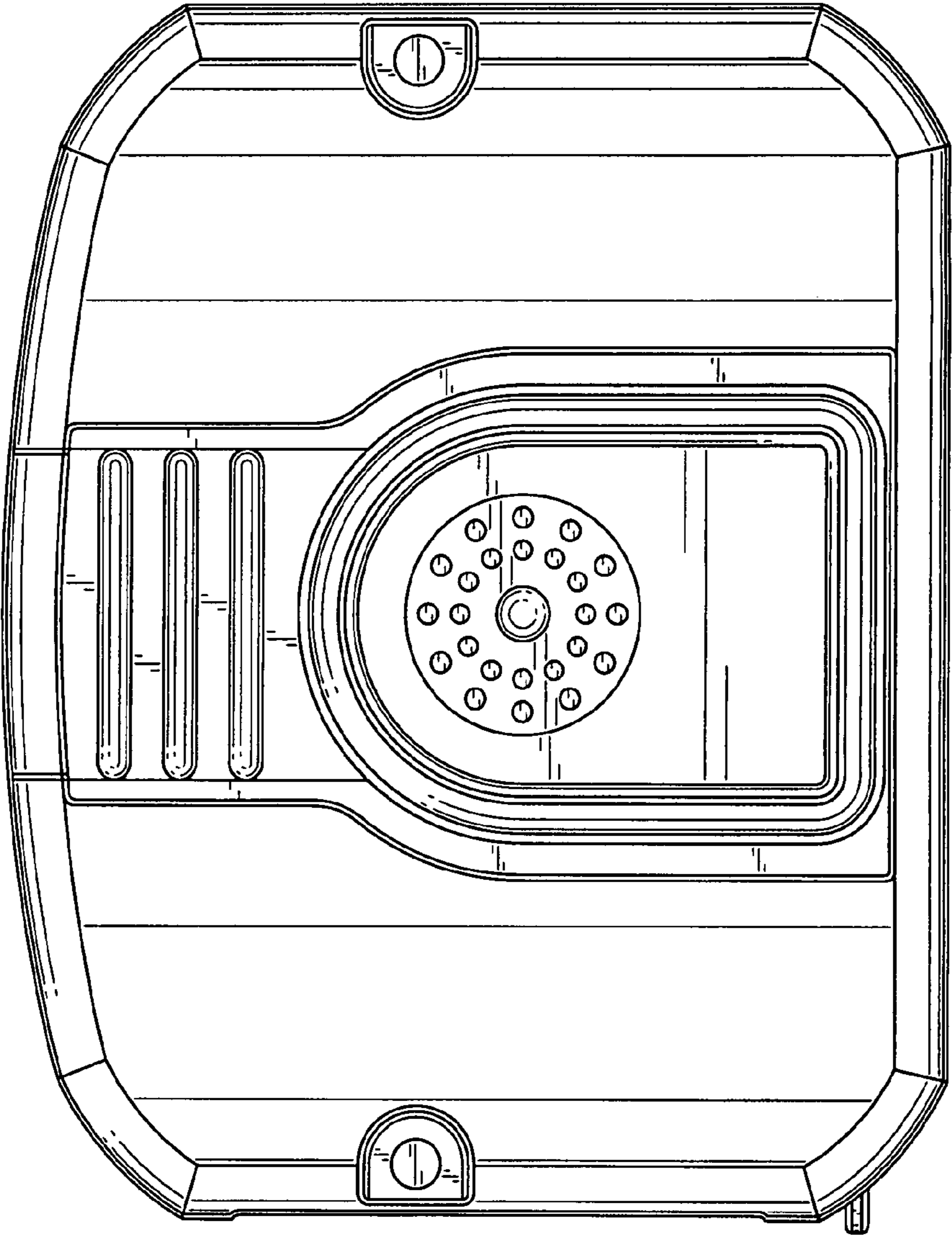


FIG. 2

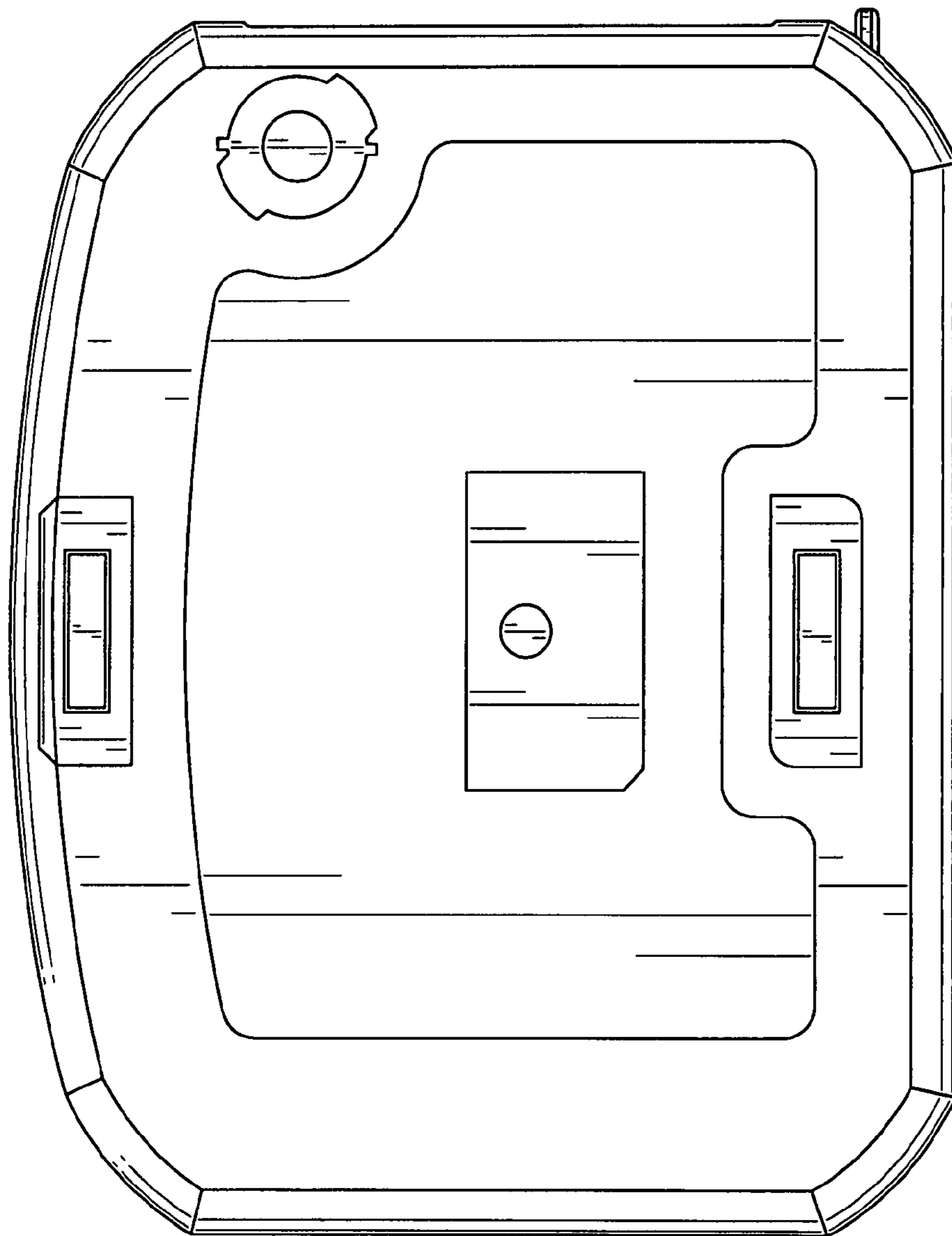


FIG. 3

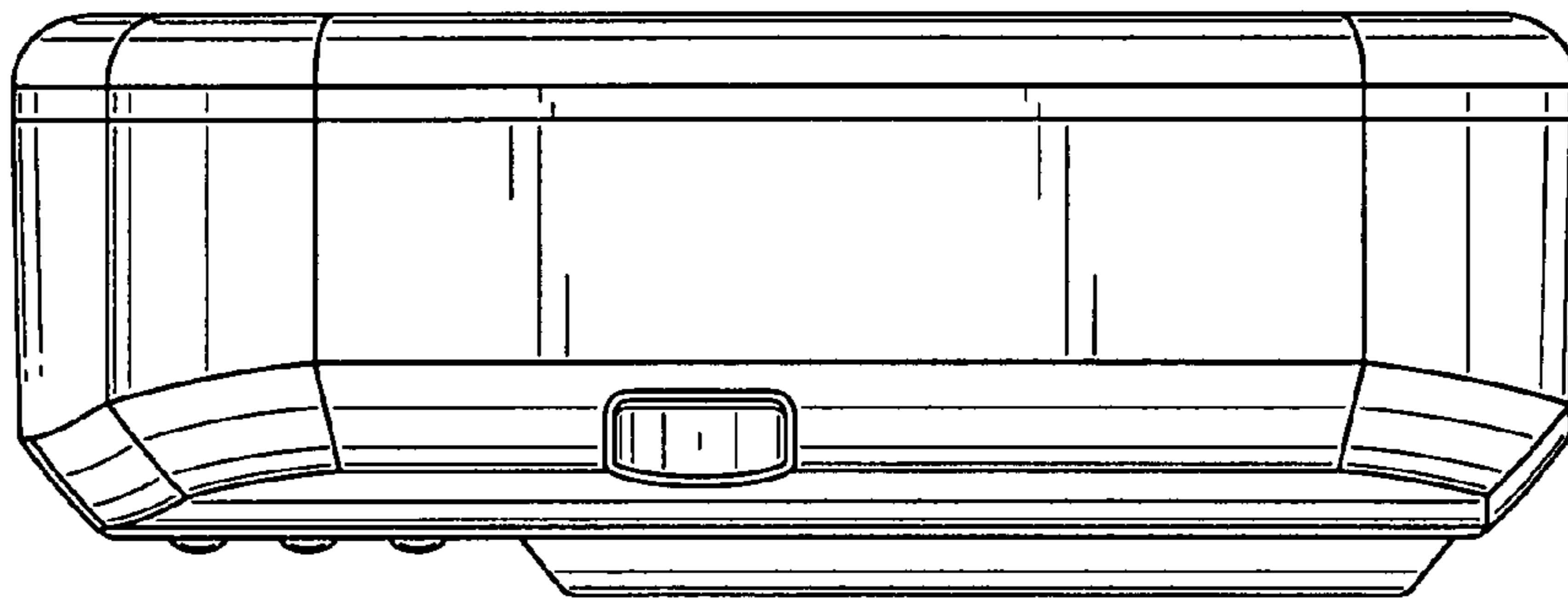


FIG. 5

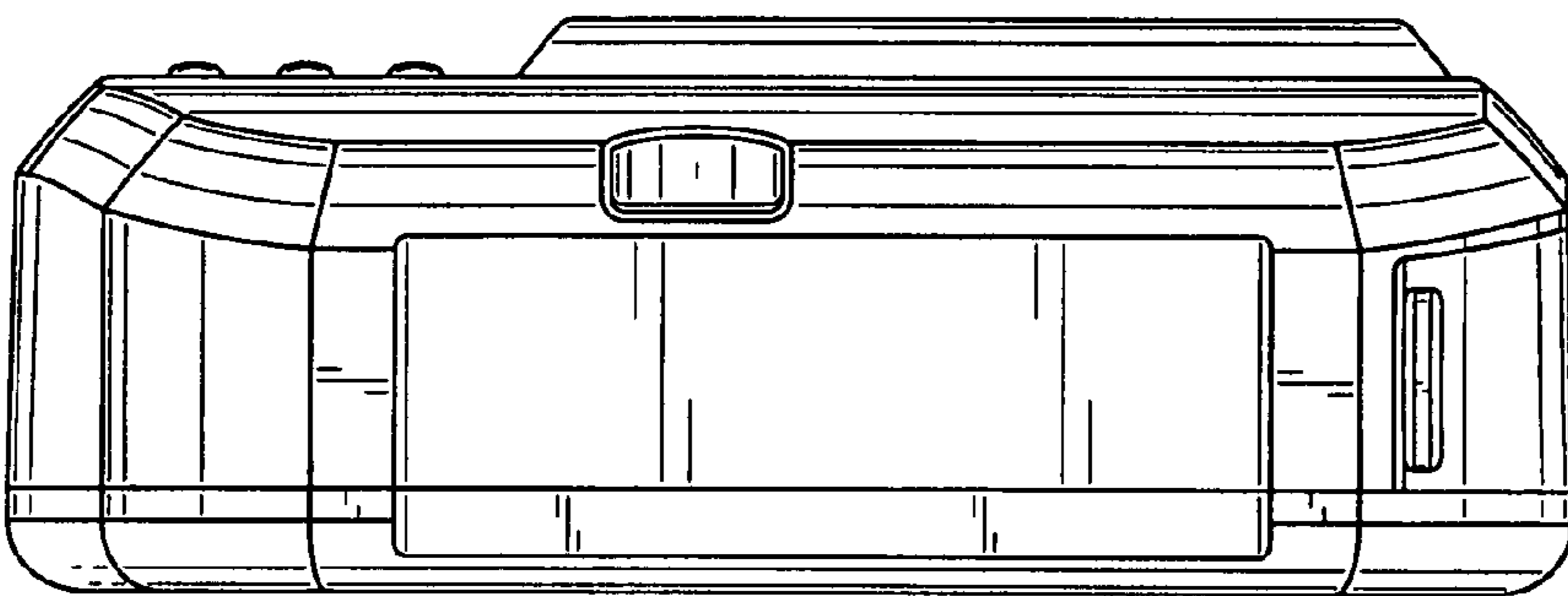


FIG. 4

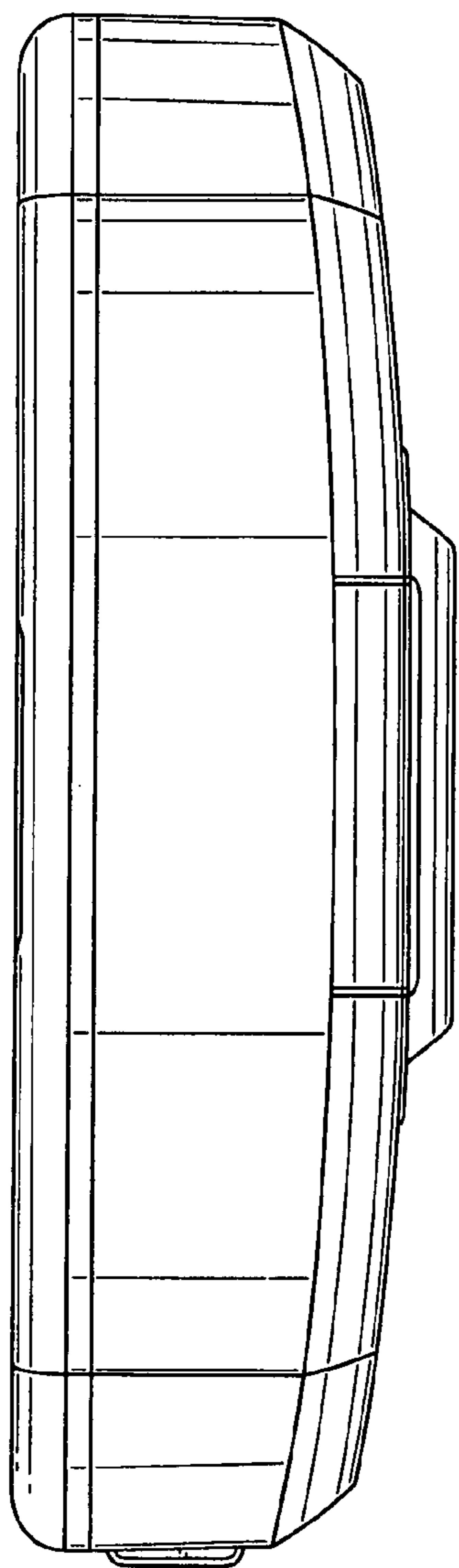


FIG. 6

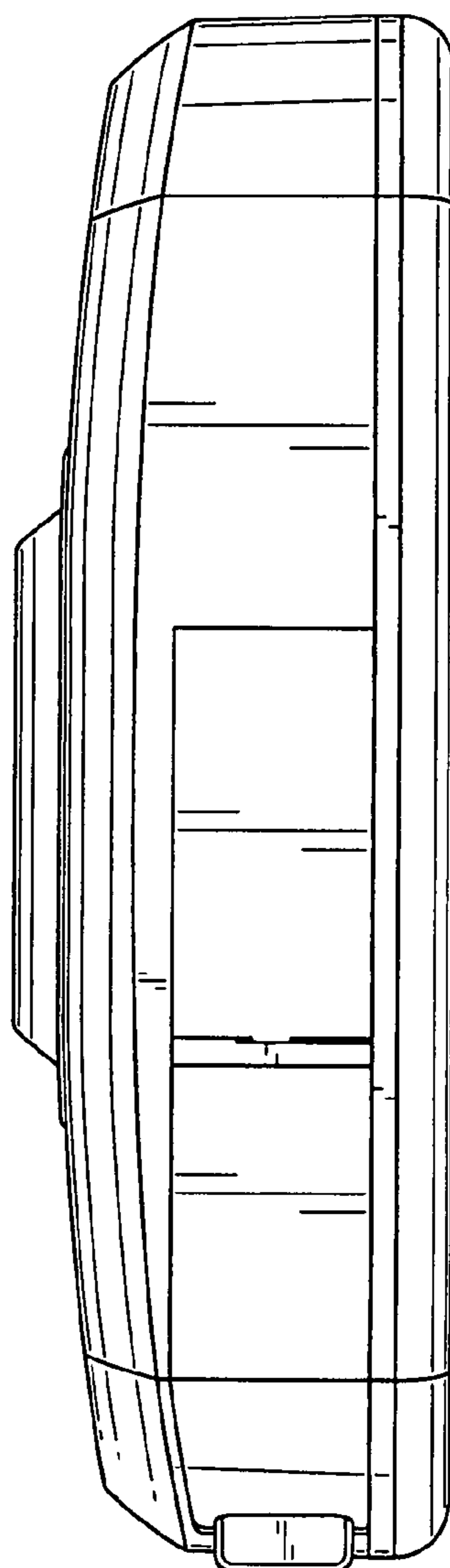


FIG. 7