



US00D581298S

(12) **United States Design Patent**
Beaujard et al.

(10) **Patent No.:** **US D581,298 S**
(45) **Date of Patent:** **** Nov. 25, 2008**

(54) **ELEMENTS OF AN AIRCRAFT NAVIGATION CONTROL UNIT**

(75) Inventors: **Florence Beaujard**, Plaisance du Touch (FR); **Roger Farre-Gascon**, Toulouse (FR); **Anne-Laure Desclaux-Chevalier**, Plaisance du Touch (FR)

(73) Assignee: **Airbus France**, Toulouse (FR)

(**) Term: **14 Years**

(21) Appl. No.: **29/281,288**

(22) Filed: **Jun. 20, 2007**

(51) **LOC (8) Cl.** **10-04**

(52) **U.S. Cl.** **D10/67; D10/102; D12/192; D12/415**

(58) **Field of Classification Search** **D10/67, D10/102; D12/192, 415; 340/979, 995, 340/91; 345/157, 173, 7, 1, 9, 3; 348/115, 348/117, 121, 123; 359/630**

See application file for complete search history.

(56) **References Cited**

U.S. PATENT DOCUMENTS

5,715,163 A * 2/1998 Bang et al. 701/202
5,995,290 A * 11/1999 Noble 359/630

* cited by examiner

Primary Examiner—Antoine D Davis
(74) *Attorney, Agent, or Firm*—Osler, Hoskin & Harcourt LLP

(57) **CLAIM**

The ornamental design of elements of an aircraft navigation control unit, as shown and described.

DESCRIPTION

FIG. 1 is a front and right perspective view showing elements of an aircraft navigation control unit according to an embodiment of our design;

FIG. 2 is a top plan view thereof;

FIG. 3 is a front elevation view thereof;

FIG. 4 is a rear elevation view thereof;

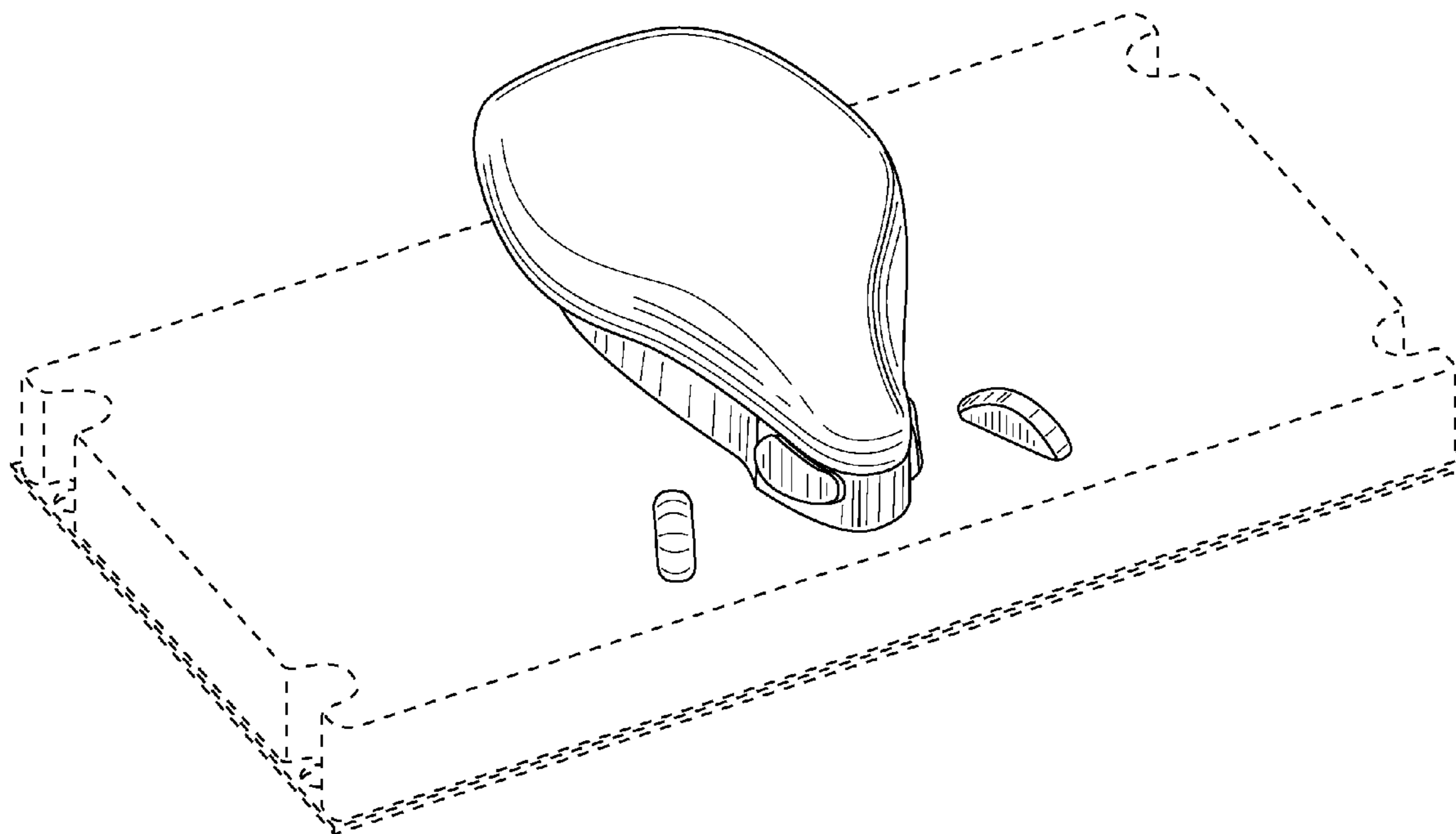
FIG. 5 is a left side elevation view thereof;

FIG. 6 is a right side elevation view thereof; and,

FIG. 7 is a rear, right perspective view of the elements of an aircraft navigation control unit of FIG. 1 shown with environmental structure, being additional elements of the aircraft navigation control unit shown in dotted lines.

Portions of the article not shown in the drawings form no part of the claimed design. Throughout the Figures, broken lines showing environment or structure are for illustrative purposes only and form no part of the claimed design.

1 Claim, 7 Drawing Sheets



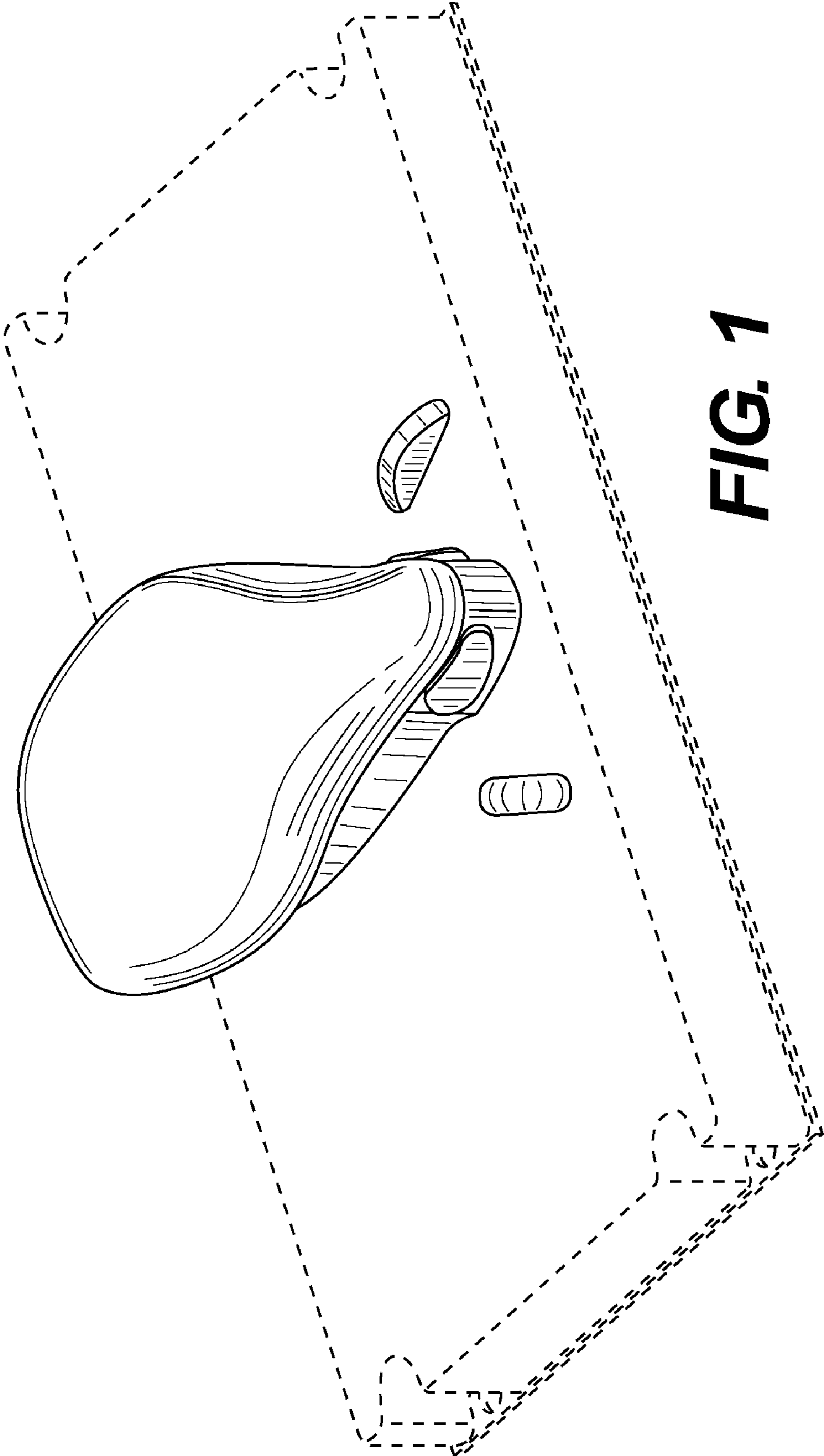


FIG. 1

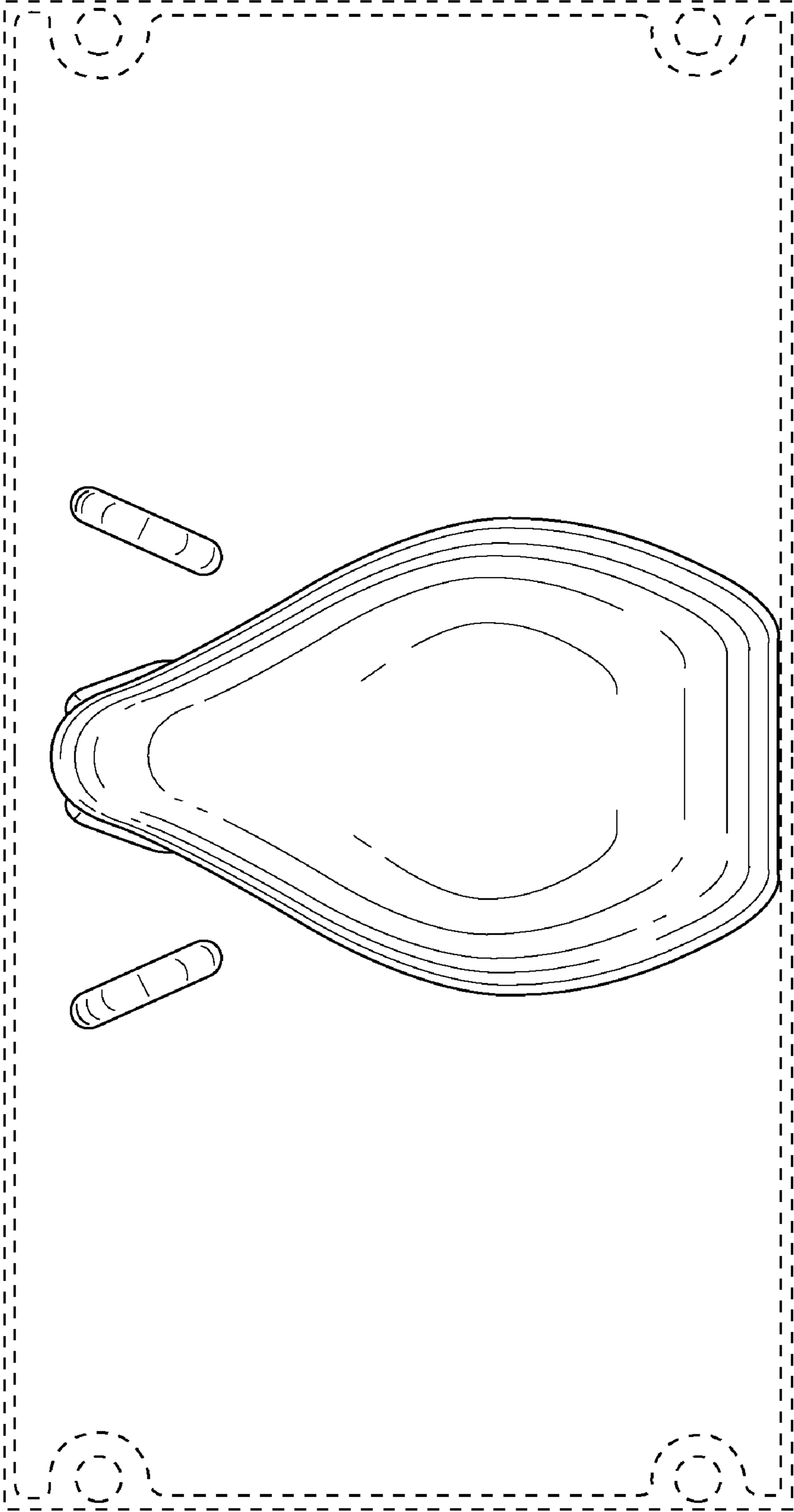


FIG. 2

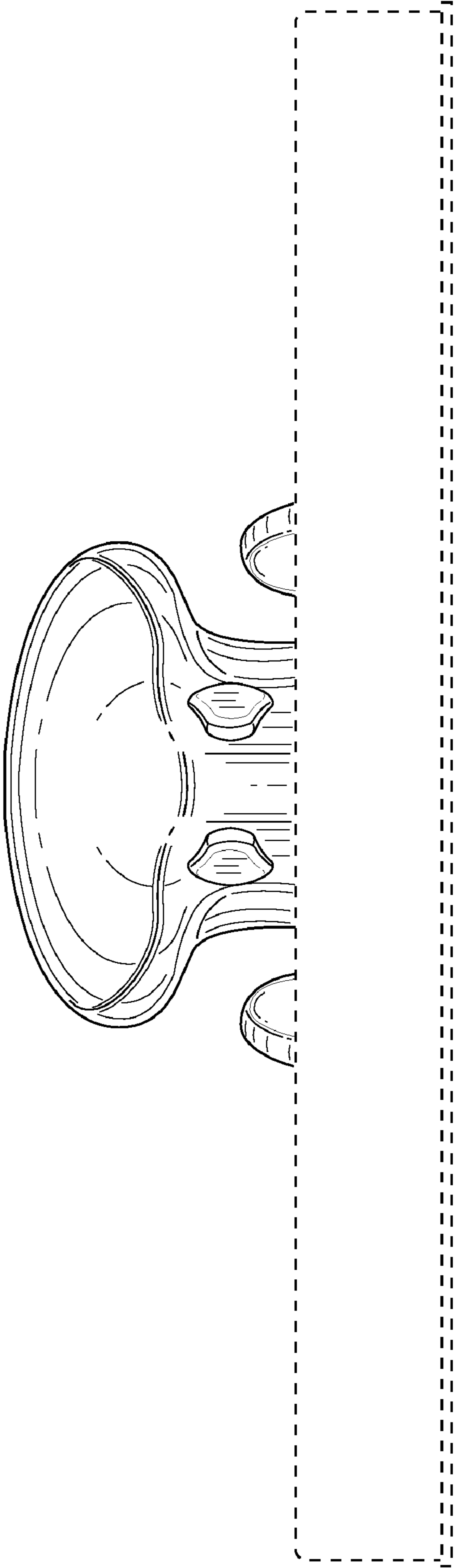


FIG. 3

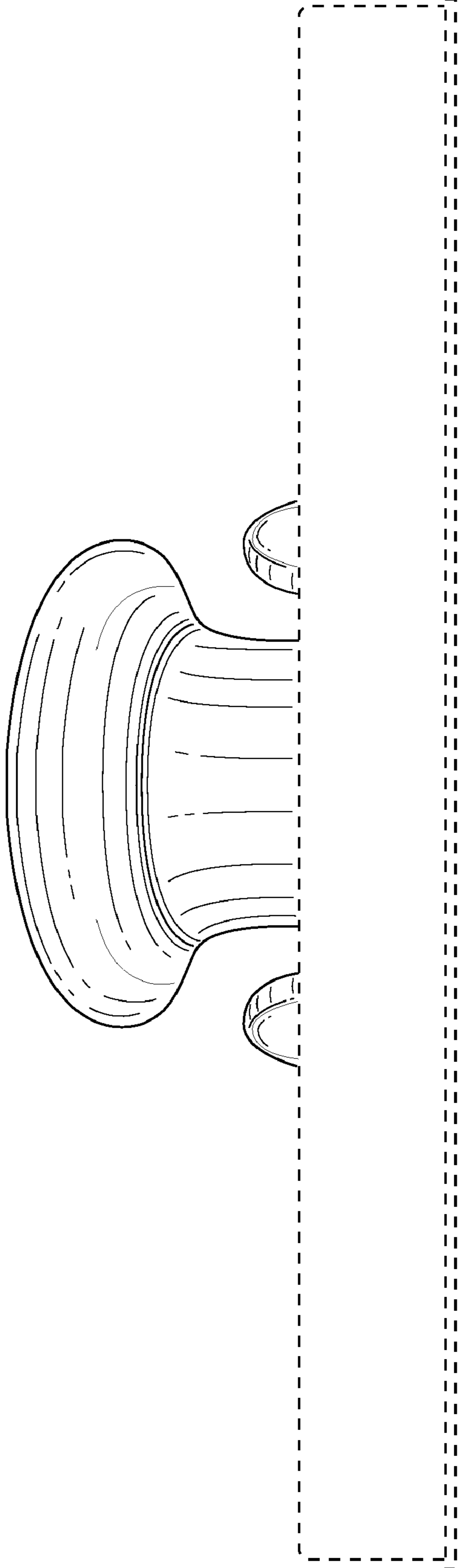


FIG. 4

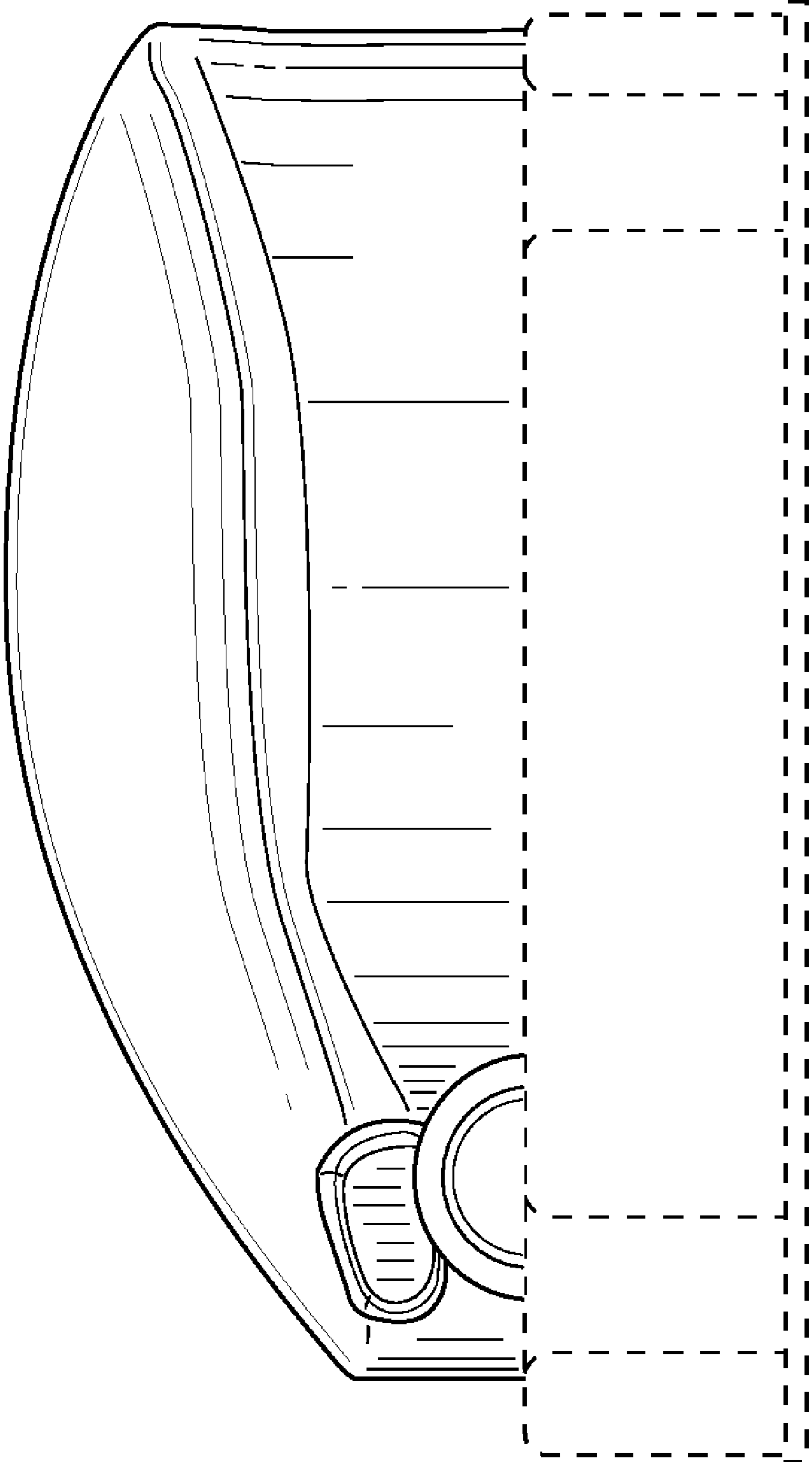


FIG. 5

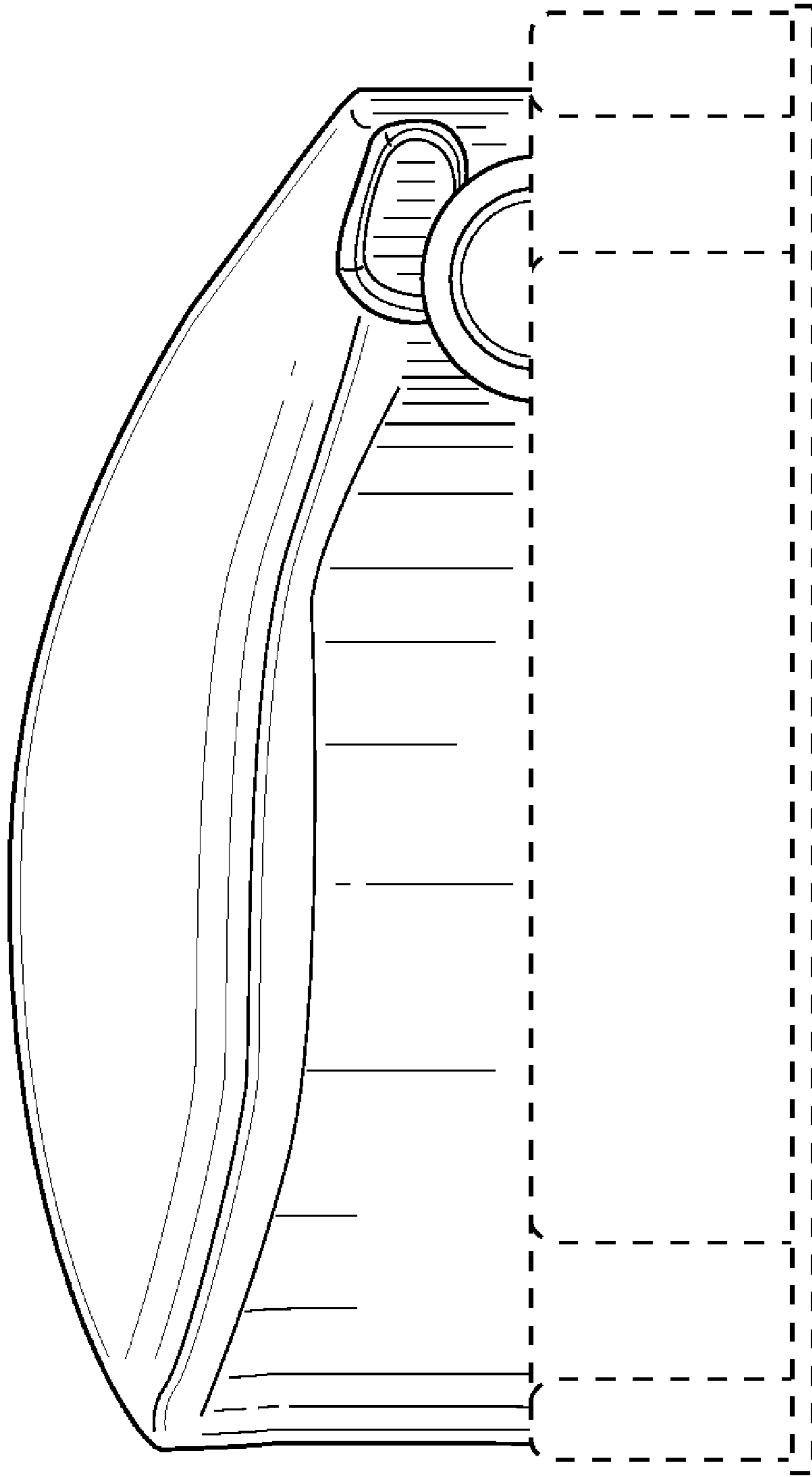


FIG. 6

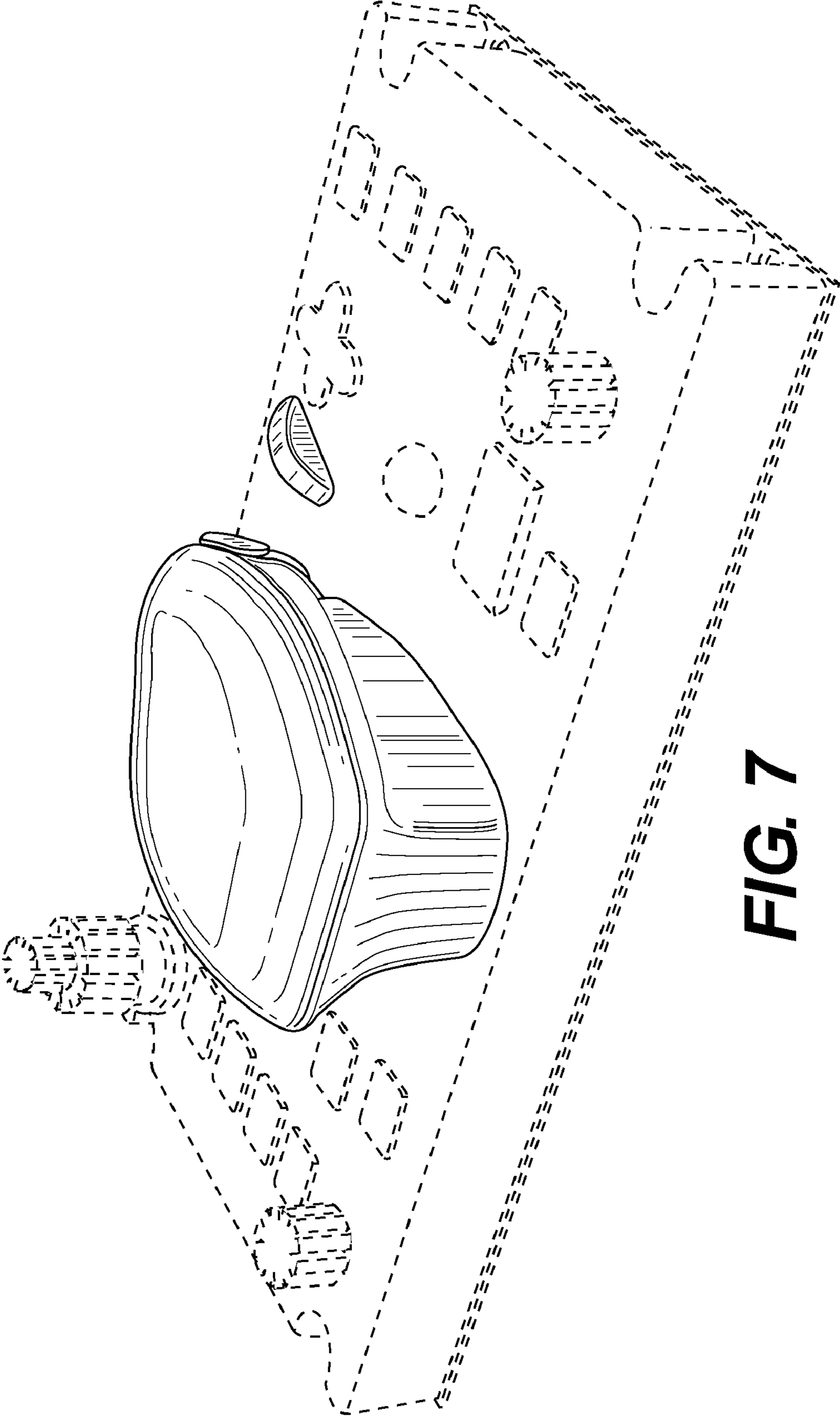


FIG. 7