



US00D581297S

(12) **United States Design Patent**
Keen

(10) **Patent No.:** **US D581,297 S**
(45) **Date of Patent:** **** Nov. 25, 2008**

(54) **GPS RECEIVER WITH INTEGRATED LIGHTBAR AND DISPLAY**

(75) Inventor: **Thomas William Keen**, Christchurch (NZ)

(73) Assignee: **Trimble Navigation Limited**, Sunnyvale, CA (US)

(**) Term: **14 Years**

(21) Appl. No.: **29/301,075**

(22) Filed: **Feb. 7, 2008**

(51) **LOC (8) Cl.** **10-04**

(52) **U.S. Cl.** **D10/65**

(58) **Field of Classification Search** D10/65, D10/78; D14/347; 342/351, 419, 457, 356.06-357.13; 343/702; 345/87, 104, 133, 156, 168, 173, 345/901-905; 348/180, 184, 315, 739; 364/444, 364/499; 701/206-209, 213, 214
See application file for complete search history.

(56) **References Cited**

U.S. PATENT DOCUMENTS

D504,337 S * 4/2005 Price et al. D10/65

* cited by examiner

Primary Examiner—Antoine D Davis

(57) **CLAIM**

I claim the ornamental design for a GPS receiver with integrated lightbar and display, as shown and described.

DESCRIPTION

FIG. 1 is an upper right front perspective view of a GPS receiver with integrated lightbar and display showing my new design, features shown in broken line are for illustrative purposes only and form no part of the claimed design;

FIG. 2 is a lower right rear perspective view thereof rear plan view thereof;

FIG. 3 is a front plan view thereof;

FIG. 4 is a right side elevational view thereof;

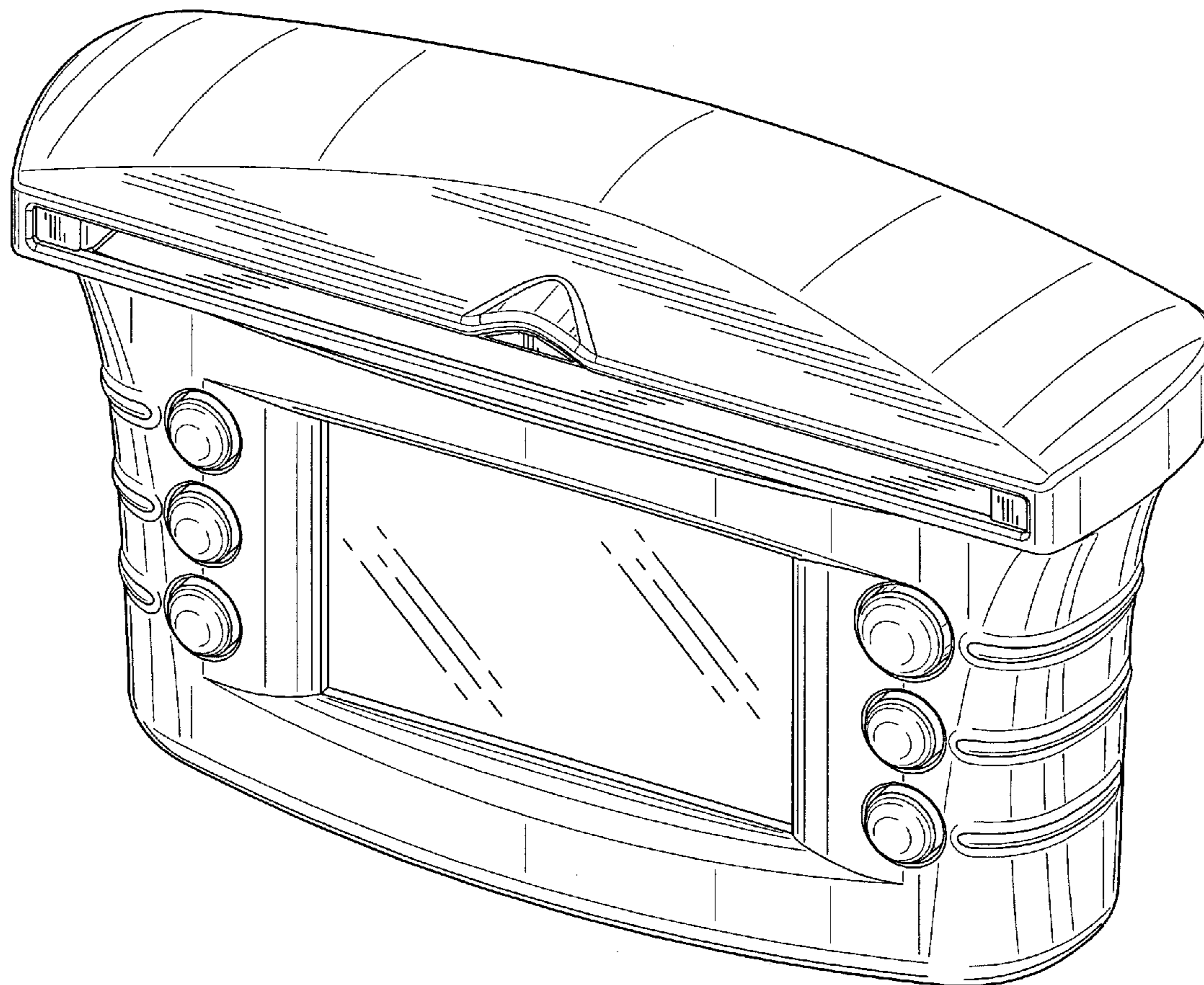
FIG. 5 is a rear plan view thereof;

FIG. 6 is a left side elevational view thereof;

FIG. 7 is a top plan view thereof; and,

FIG. 8 is a bottom plan view thereof.

1 Claim, 4 Drawing Sheets



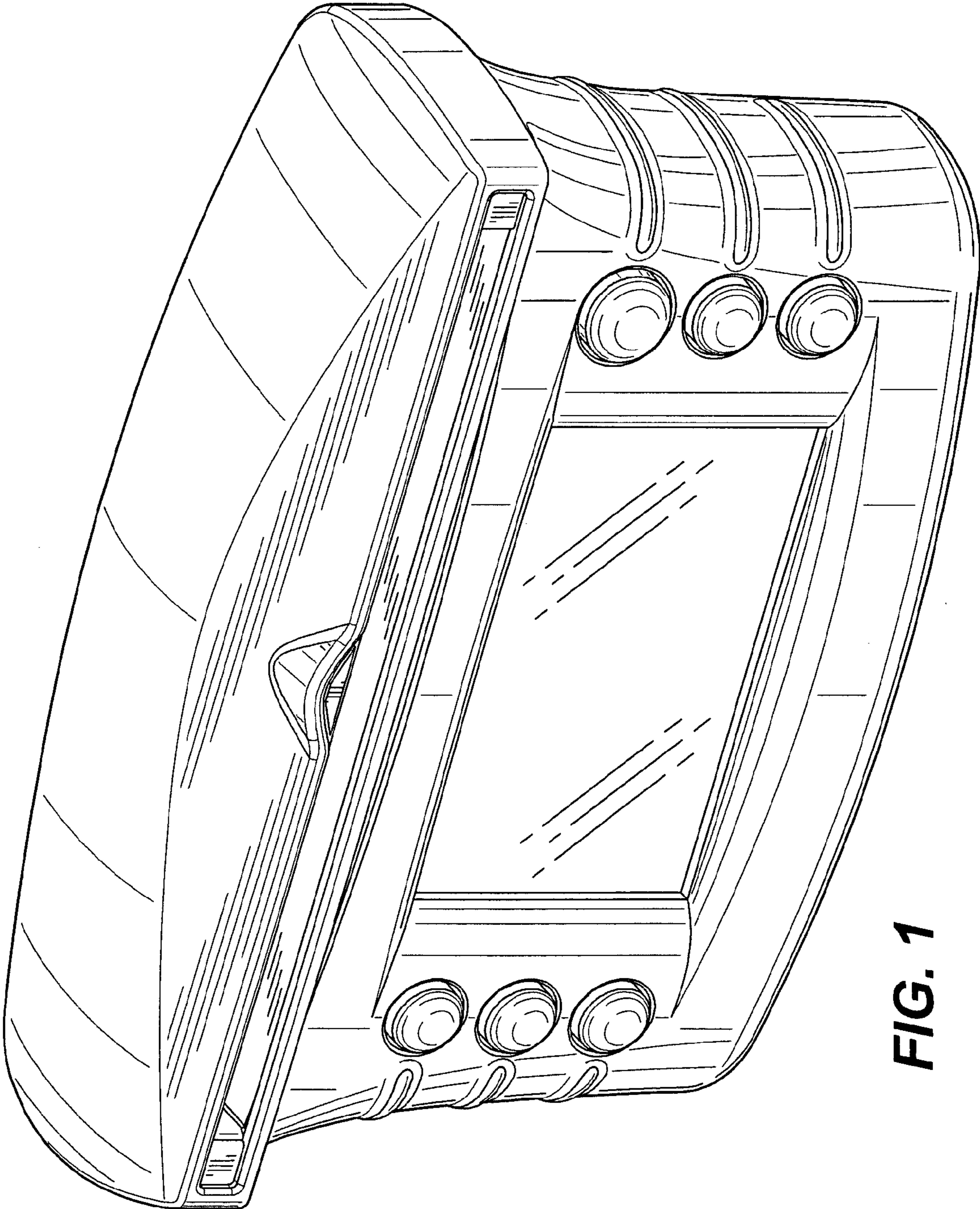


FIG. 1

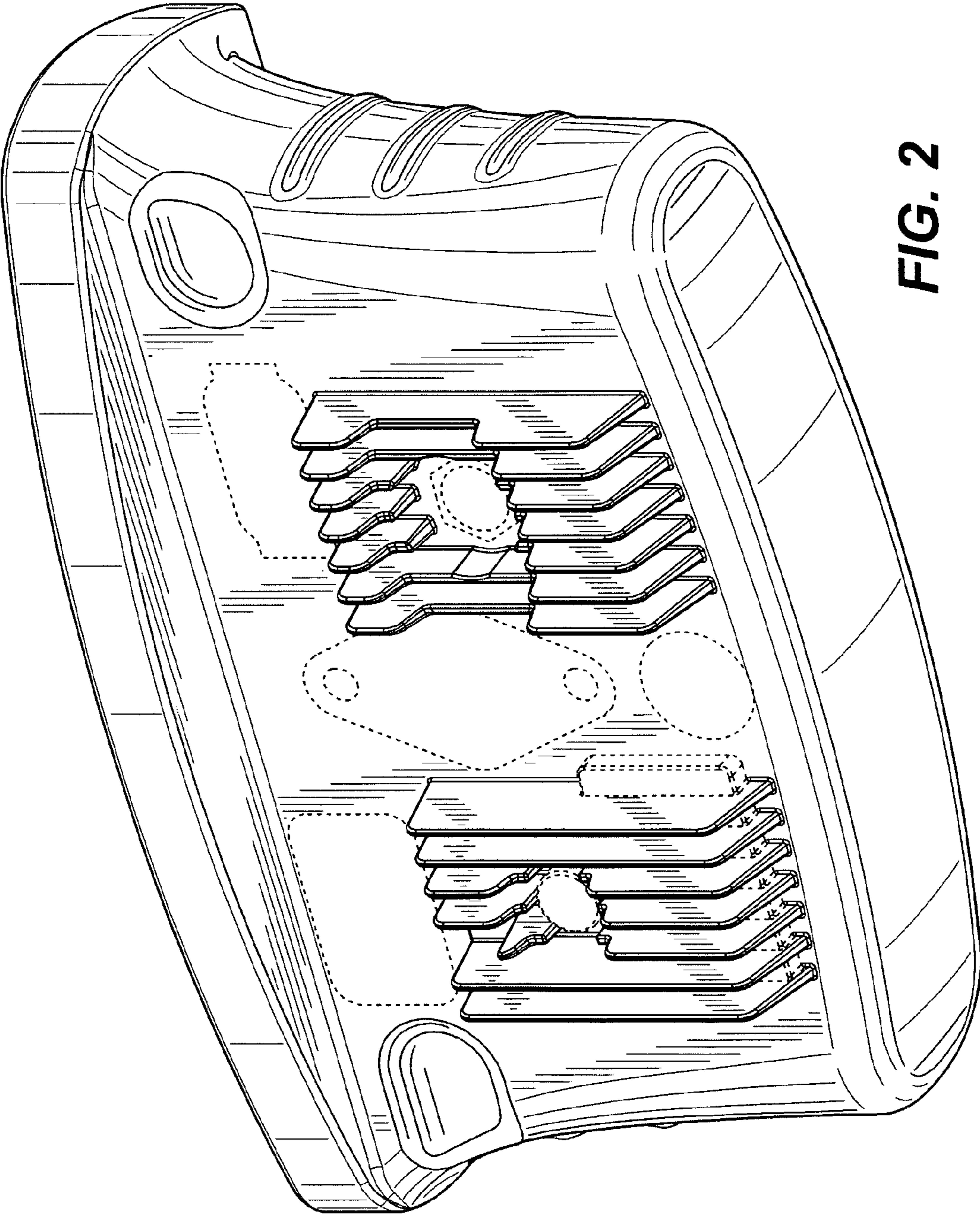


FIG. 2

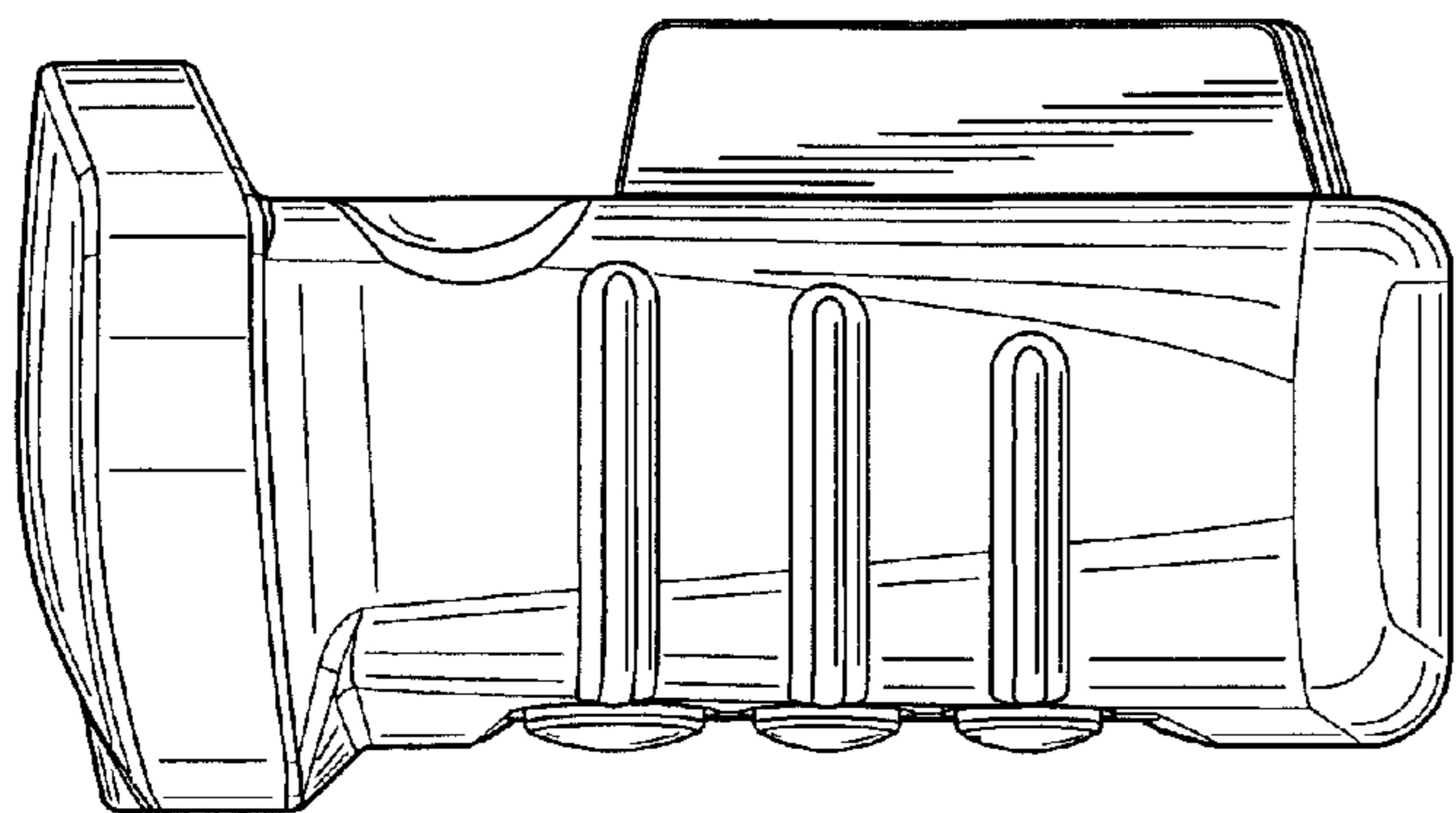


FIG. 4

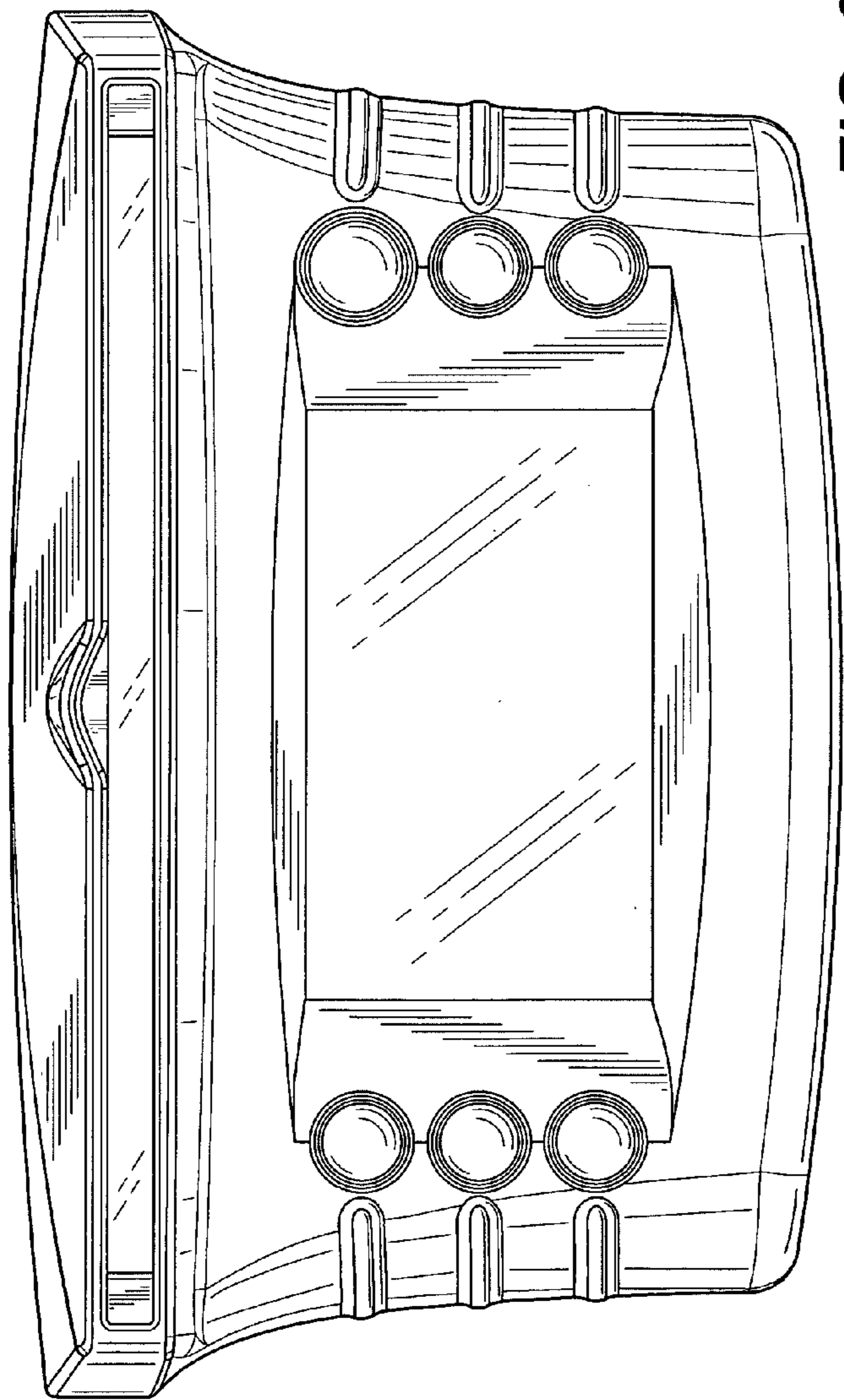


FIG. 3

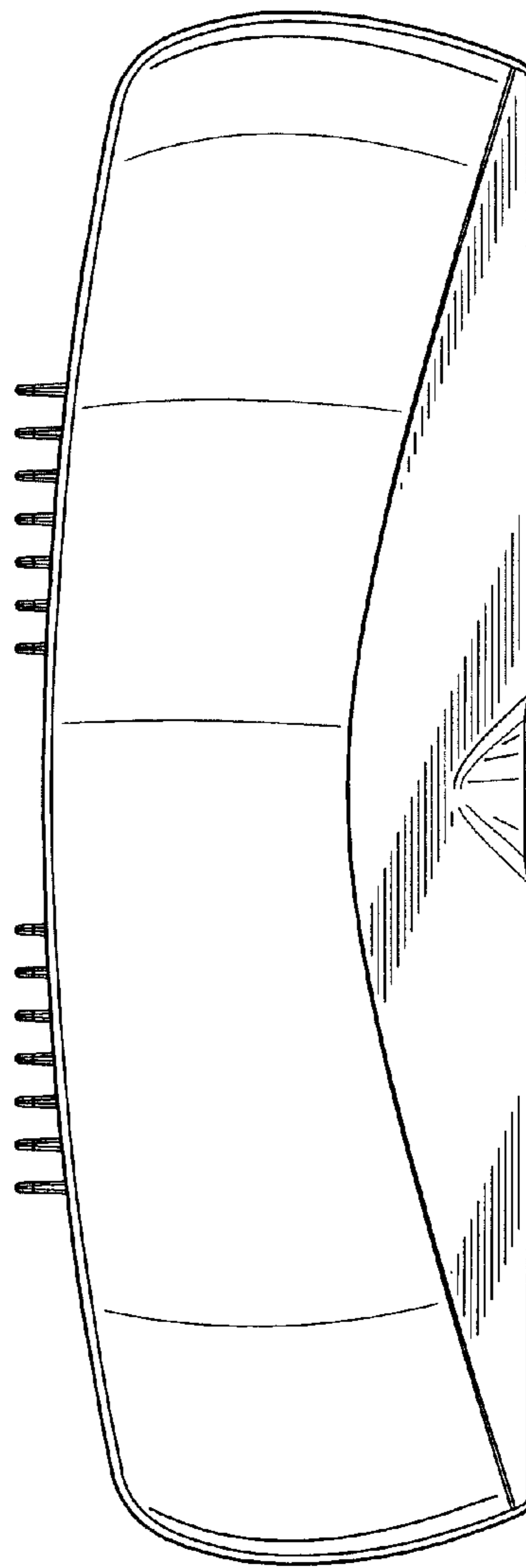


FIG. 7

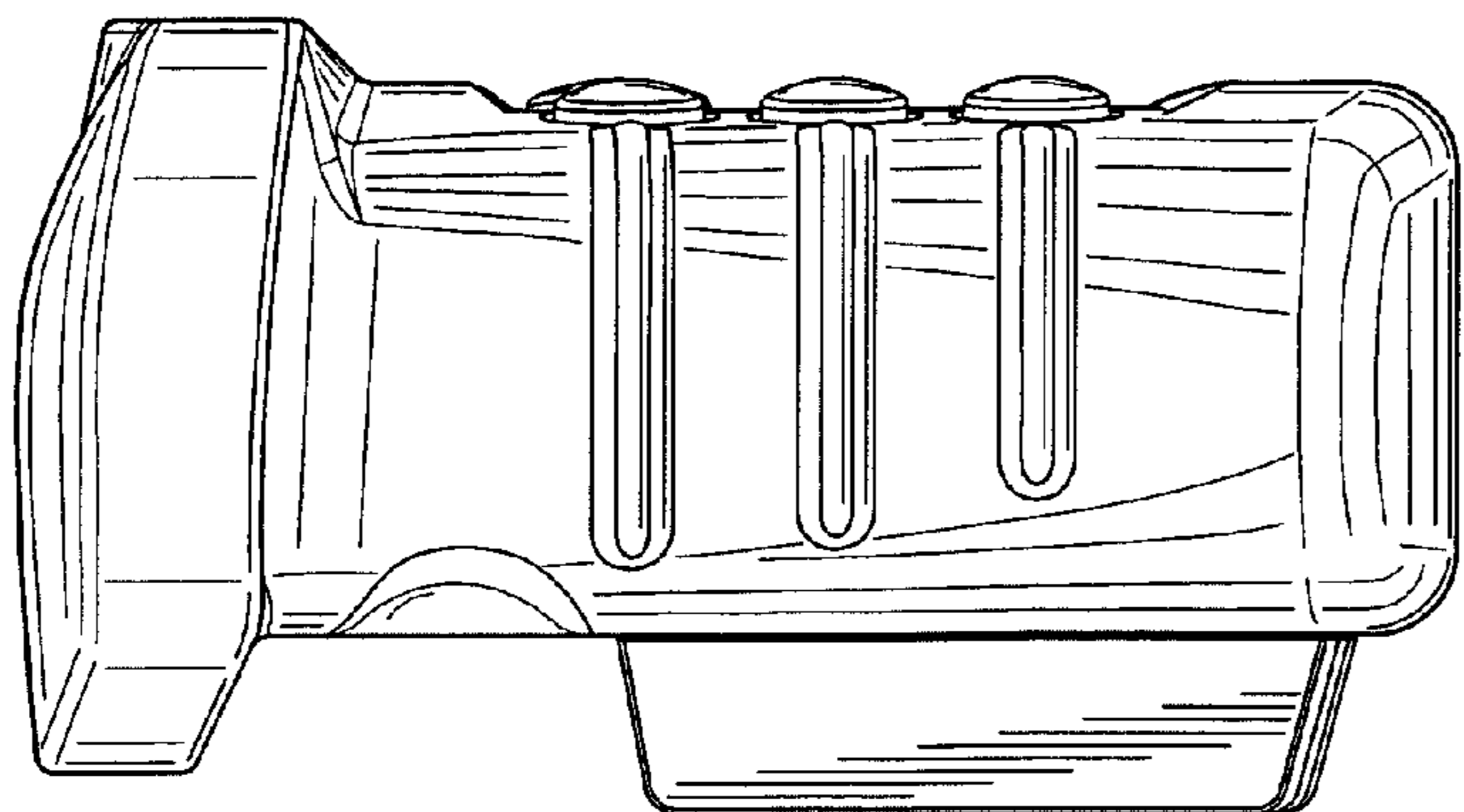


FIG. 6

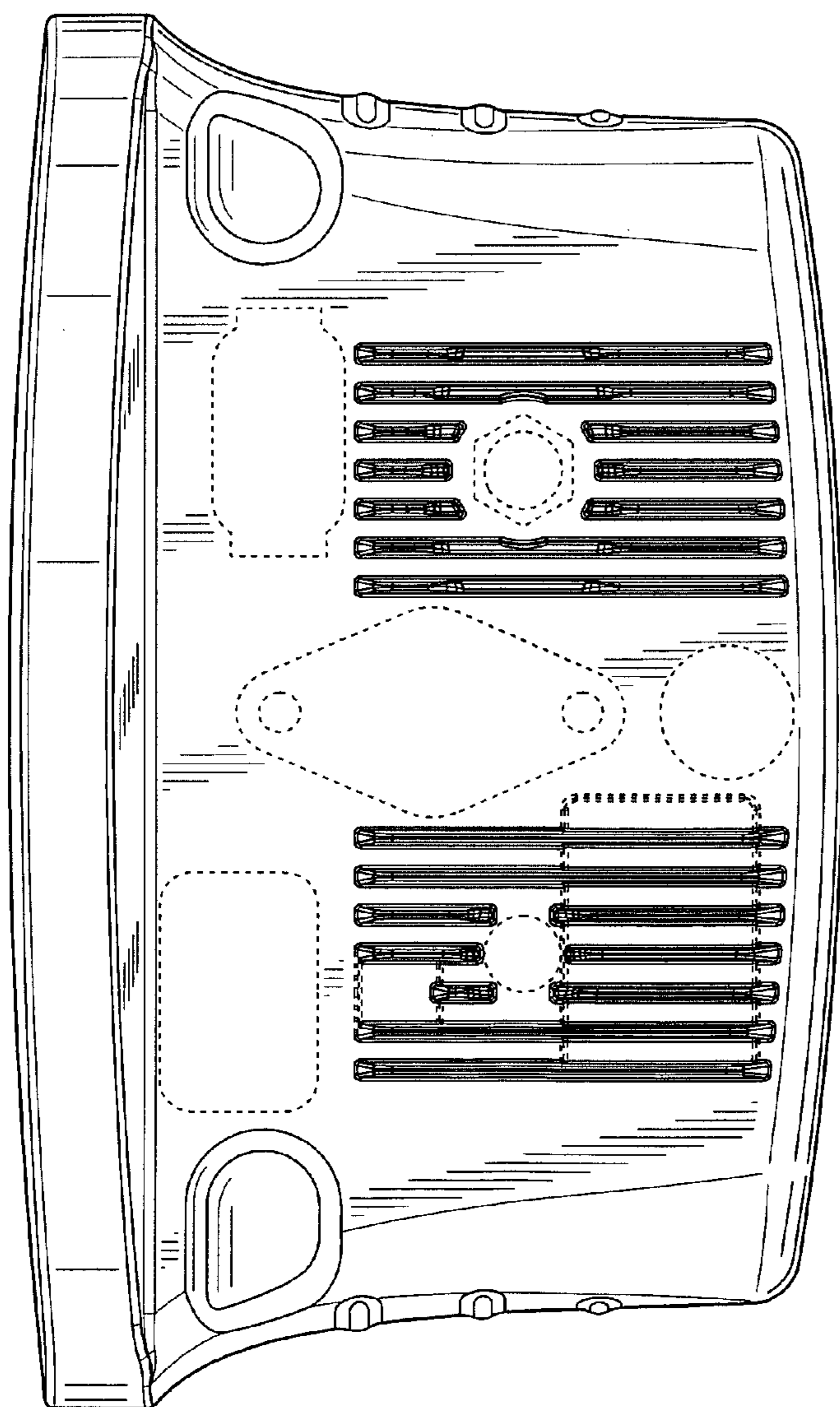


FIG. 5

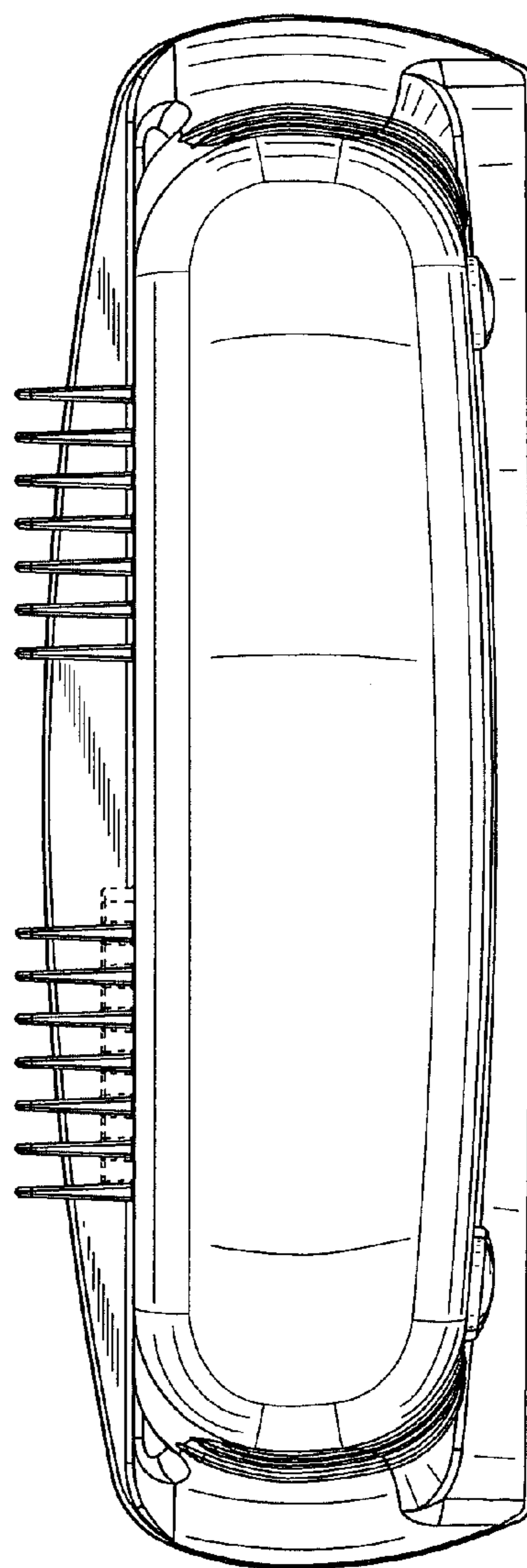


FIG. 8