



US00D581295S

(12) **United States Design Patent**  
**Elie**

(10) **Patent No.:** **US D581,295 S**

(45) **Date of Patent:** **\*\* Nov. 25, 2008**

(54) **TRACER FOR SPECTACLE FRAME RIMS,  
WITH VIEWING SCREEN**

2004/0016136 A1\* 1/2004 Igarashi et al. .... 33/200  
2008/0131222 A1\* 6/2008 Schaeffer ..... 408/8

(75) Inventor: **Francois Elie**, Domalain (FR)

\* cited by examiner

(73) Assignee: **Essilor International (Compagnie  
Generale d'Optique)**, Charenton le Pont  
(FR)

*Primary Examiner*—Antoine D Davis  
(74) *Attorney, Agent, or Firm*—Sughrue Mion, PLLC

(\*\*) Term: **14 Years**

(21) Appl. No.: **29/290,039**

(22) Filed: **Oct. 15, 2007**

(51) **LOC (8) Cl.** ..... **10-04**

(52) **U.S. Cl.** ..... **D10/64; D10/65**

(58) **Field of Classification Search** ..... D10/64–65;  
33/28, 200, 507, 558.01; 451/5, 8–11, 42–44,  
451/240

See application file for complete search history.

(56) **References Cited**

**U.S. PATENT DOCUMENTS**

D327,025 S \* 6/1992 Elie ..... D10/64  
D381,343 S \* 7/1997 Elie ..... D15/124  
7,198,547 B2\* 4/2007 Kim et al. .... 451/8  
2002/0166247 A1\* 11/2002 Andrews et al. .... 33/200

(57) **CLAIM**

The ornamental design for a tracer for spectacle frame rims,  
with viewing screen, as shown and described.

**DESCRIPTION**

FIG. 1 is a perspective view of a tracer for spectacle frame  
rims, with viewing screen, showing my new design;

FIG. 2 is a front view thereof;

FIG. 3 is a rear view thereof;

FIG. 4 is a left side view thereof;

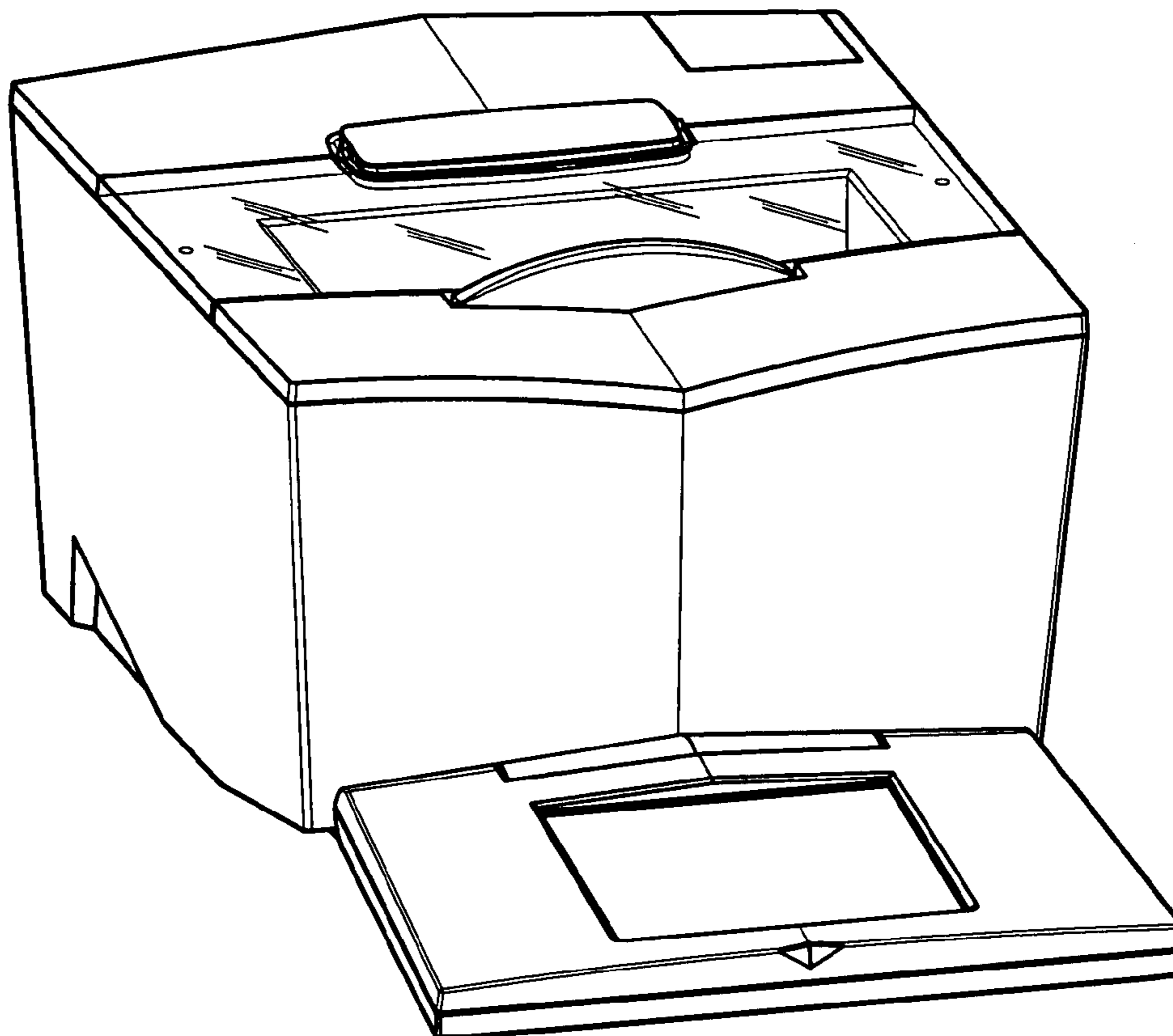
FIG. 5 is a right side view thereof;

FIG. 6 is a top view thereof; and,

FIG. 7 is a bottom view thereof.

The viewing screen shown in figure drawings 2–7 is shown in  
a retracted condition.

**1 Claim, 7 Drawing Sheets**



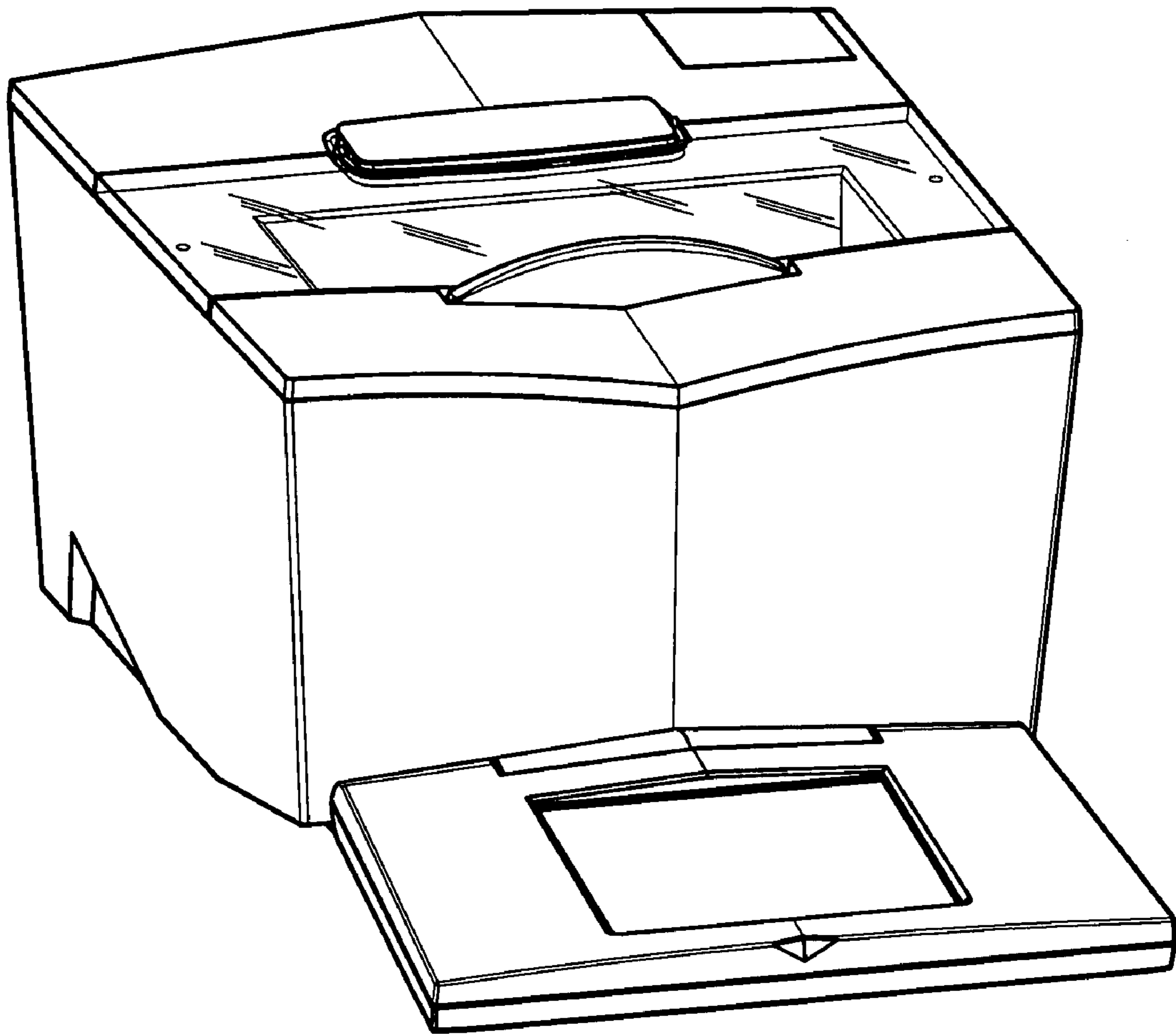


FIG.1

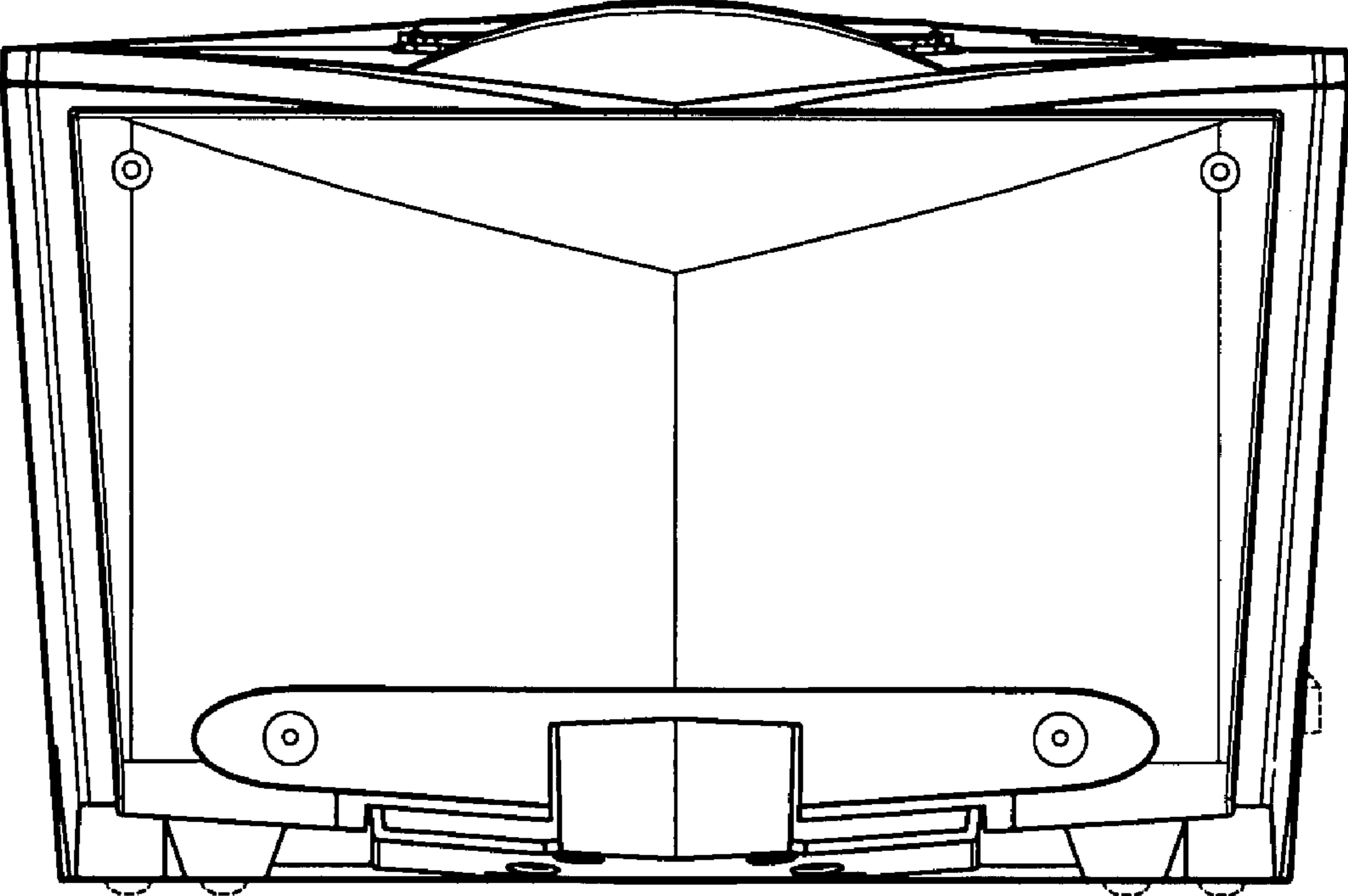


FIG.2

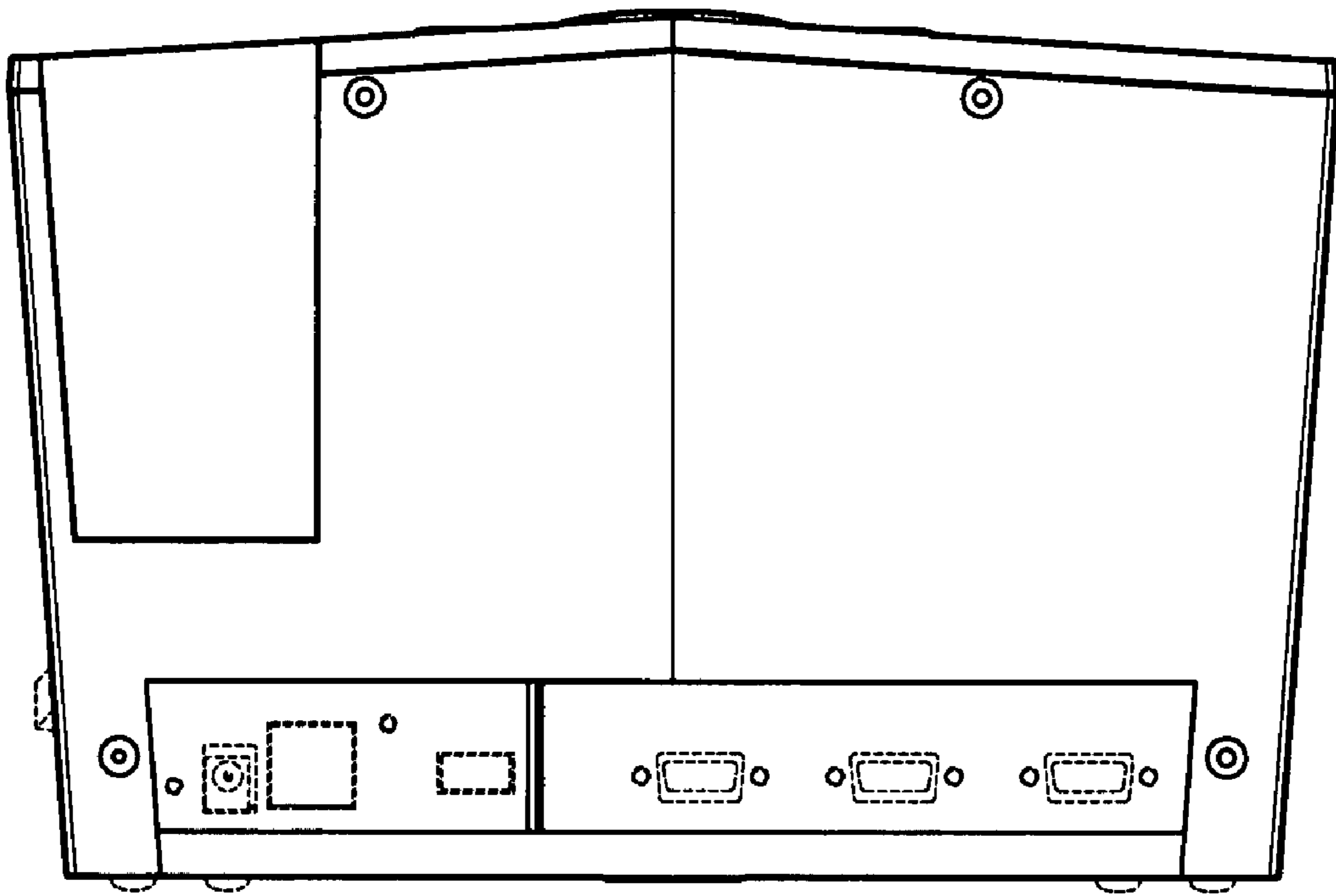


FIG.3

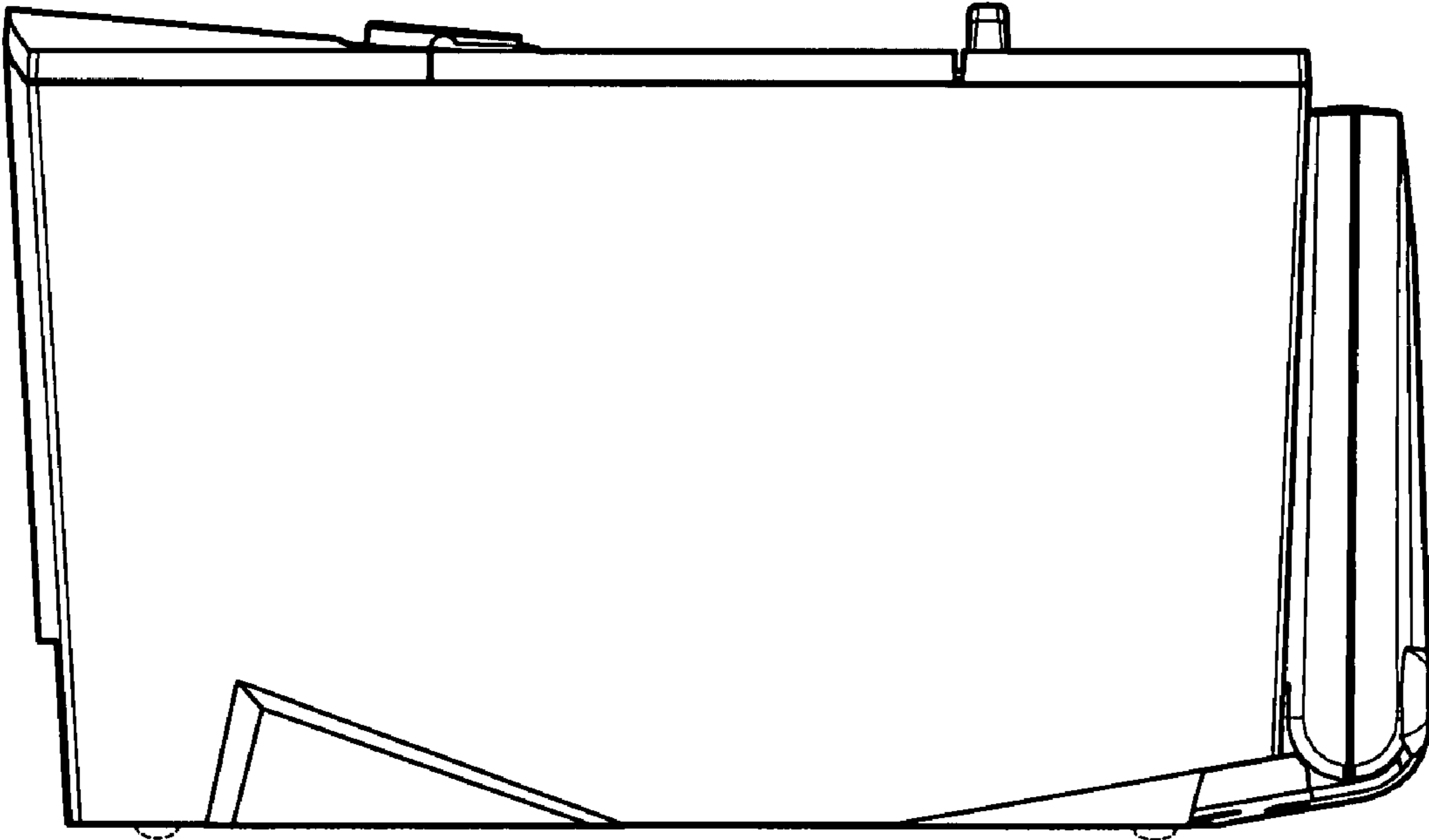


FIG.4

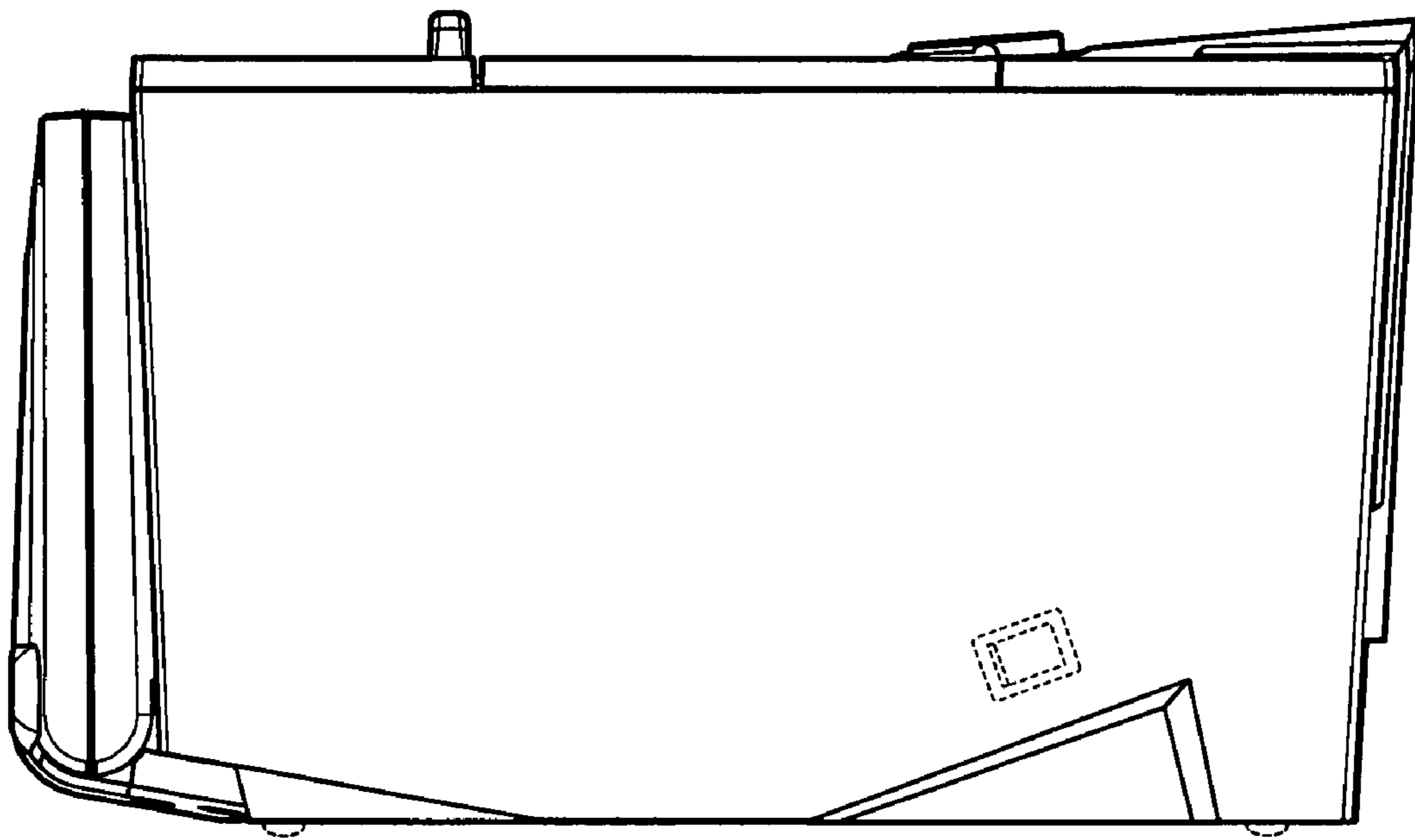


FIG.5

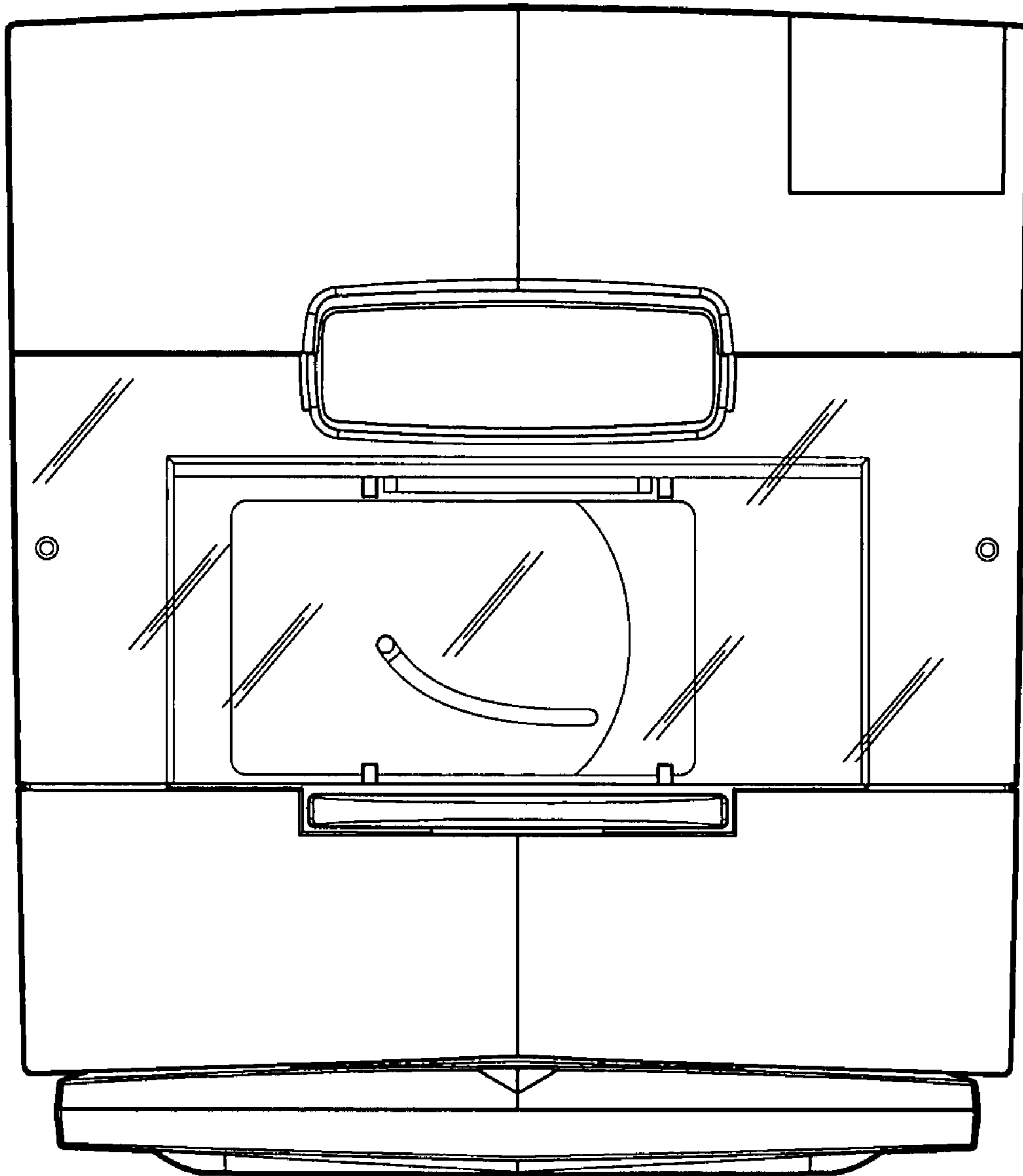


FIG.6

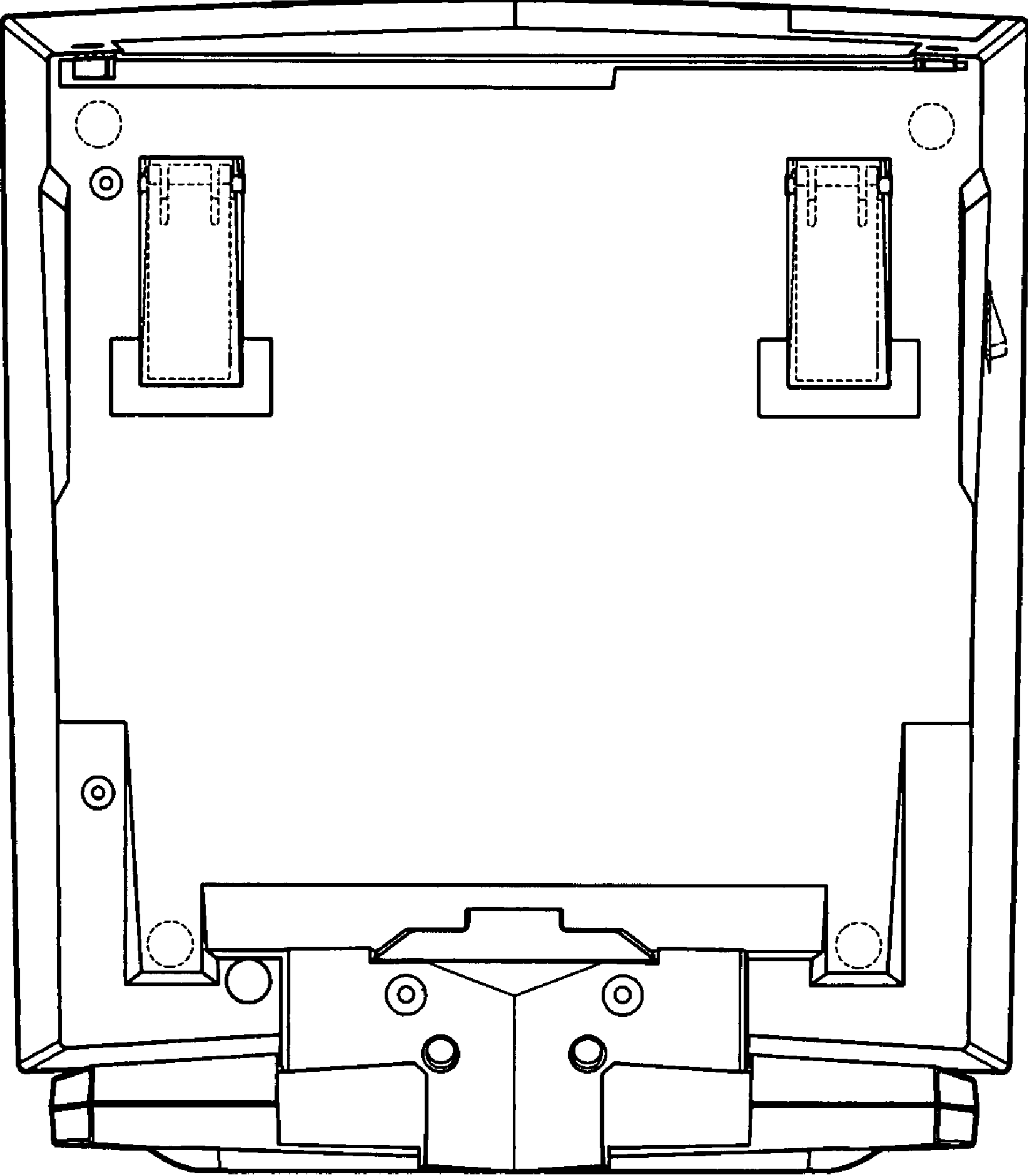


FIG.7



UNITED STATES PATENT AND TRADEMARK OFFICE  
**CERTIFICATE OF CORRECTION**

PATENT NO. : Des. 581,295 S  
APPLICATION NO. : 29/290039  
DATED : November 25, 2008  
INVENTOR(S) : Francois Elie

Page 1 of 1

It is certified that error appears in the above-identified patent and that said Letters Patent is hereby corrected as shown below:

On the title page, insert item:

--(30) **Foreign Application Priority Data**  
April 4, 2007 (EU) 000715396-0001--

Signed and Sealed this

Seventeenth Day of March, 2009



JOHN DOLL  
*Acting Director of the United States Patent and Trademark Office*