



US00D581294S

(12) **United States Design Patent**
Farricielli

(10) **Patent No.:** **US D581,294 S**

(45) **Date of Patent:** **** Nov. 25, 2008**

(54) **ADJUSTABLE SUNDIAL**

6,604,290 B1 * 8/2003 Hughes, Jr. 33/270
2005/0060900 A1 * 3/2005 Maegli 33/270

(76) Inventor: **Susan Farricielli**, 26 N. Main St.,
Branford, CT (US) 06405

FOREIGN PATENT DOCUMENTS

WO WO 9403844 A1 * 2/1994

(**) Term: **14 Years**

OTHER PUBLICATIONS

(21) Appl. No.: **29/283,716**

Equatorial Sundial created by Susan Farricielli, Branford Daycare,
May 22, 1998 (1 page).

(22) Filed: **Aug. 21, 2007**

Equatorial Sundial created by Susan Farricielli, Ohio, Jan. 19, 2004
(1 page).

(51) **LOC (8) Cl.** **10-03**

(52) **U.S. Cl.** **D10/45**

(58) **Field of Classification Search** D10/45;
33/270

* cited by examiner

See application file for complete search history.

Primary Examiner—Lucy Lieberman

(74) *Attorney, Agent, or Firm*—St. Onge Steward Johnston &
Reens LLC

(56) **References Cited**

(57) **CLAIM**

U.S. PATENT DOCUMENTS

3,370	A *	12/1843	Gardner	33/270
281,527	A *	7/1883	Larsen	33/270
2,192,750	A *	3/1940	Mead	33/270
D163,500	S *	5/1951	Watts	D10/45
2,754,593	A *	7/1956	Sunblad	33/270
D187,289	S *	2/1960	Thew	D10/45
2,931,102	A *	4/1960	Thew	33/270
3,099,881	A *	8/1963	Snider et al.	33/270
D209,223	S *	11/1967	Vuileumier	D10/45
3,786,570	A *	1/1974	Davies	33/270
3,815,249	A *	6/1974	Gundlach	33/269
4,102,054	A *	7/1978	Lewis	33/270
4,135,357	A *	1/1979	Ashton	368/15
D257,006	S *	9/1980	Santleben	D10/45
4,922,619	A *	5/1990	Singleton	33/270
D382,821	S *	8/1997	Zurfluh	D10/45

The ornamental design for an adjustable sundial, as shown
and described.

DESCRIPTION

FIG. 1 is a front perspective view of an adjustable sundial in
accordance with the new design;

FIG. 2 is a top view thereof;

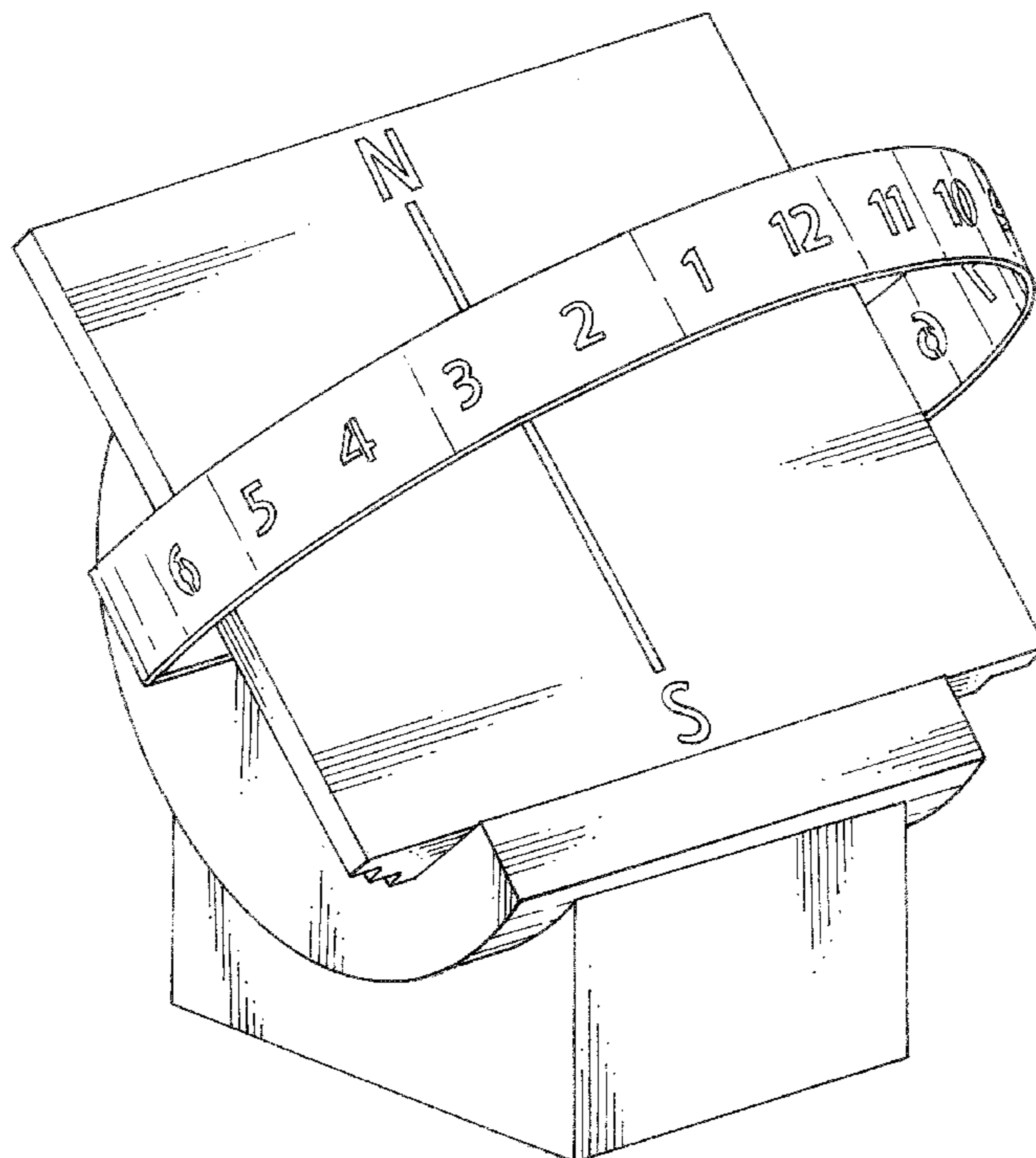
FIG. 3 is a front view thereof;

FIG. 4 is a left side view thereof;

FIG. 5 is a rear view thereof; and,

FIG. 6 is a right side view thereof.

1 Claim, 6 Drawing Sheets



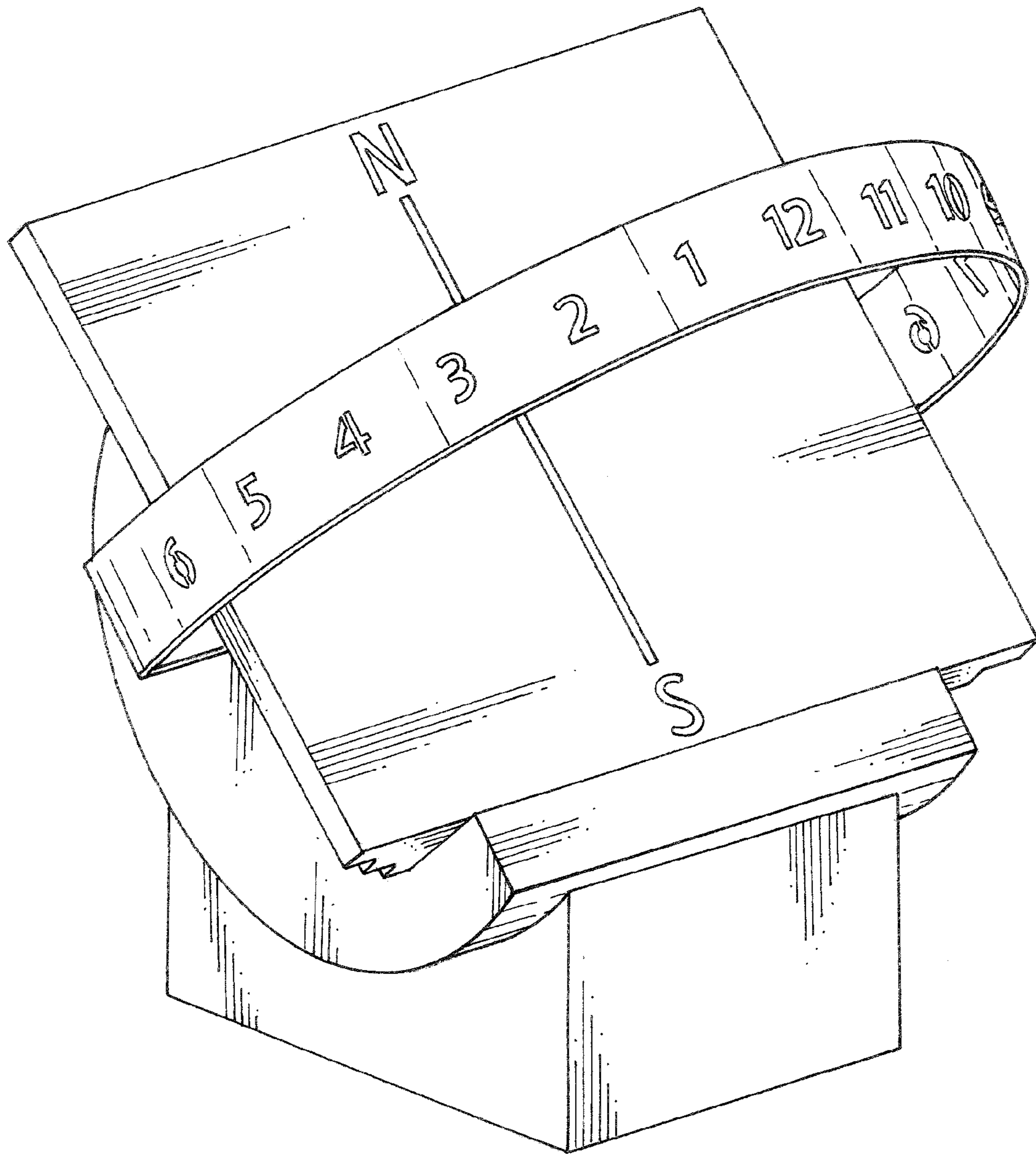


FIG. 1

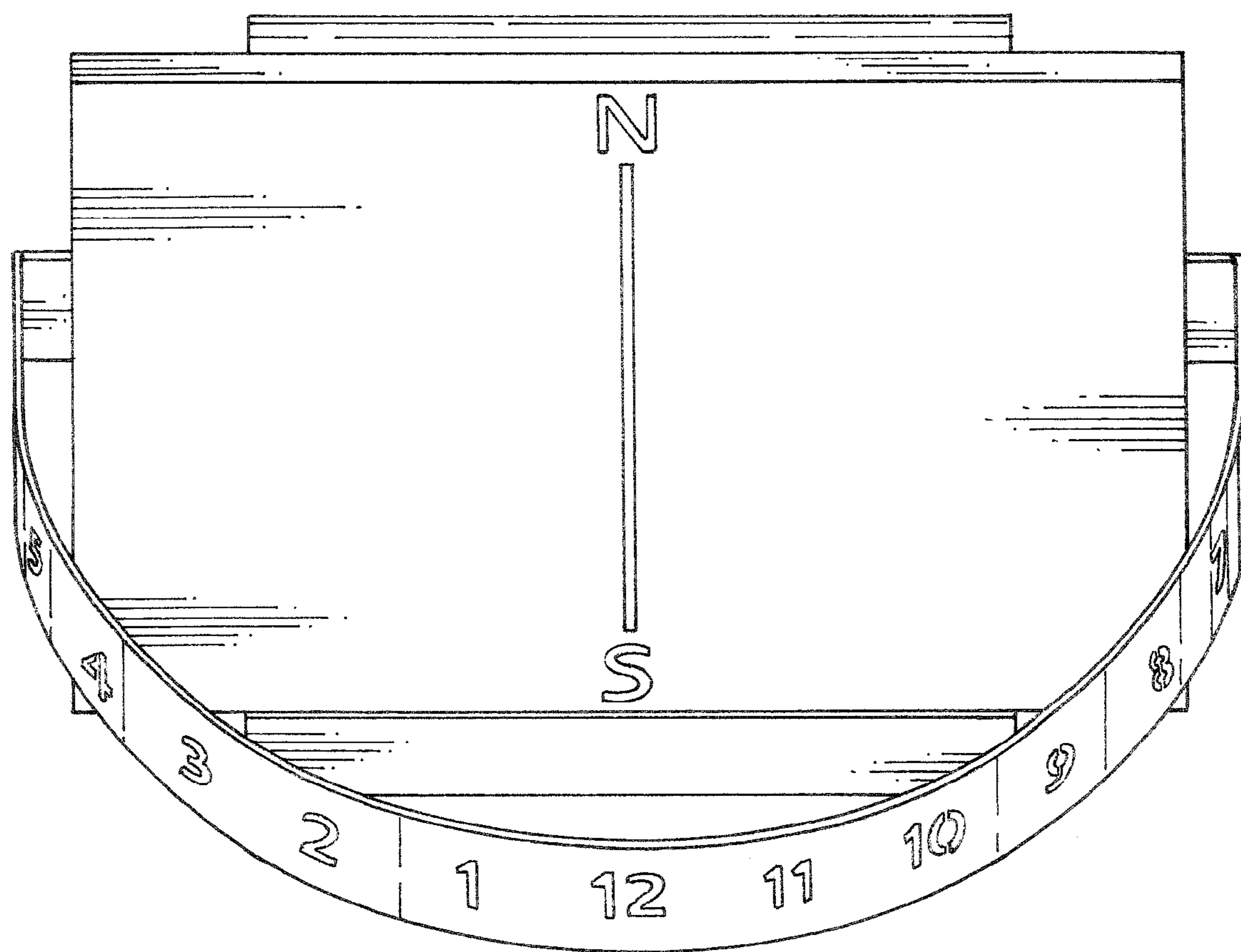


FIG. 2

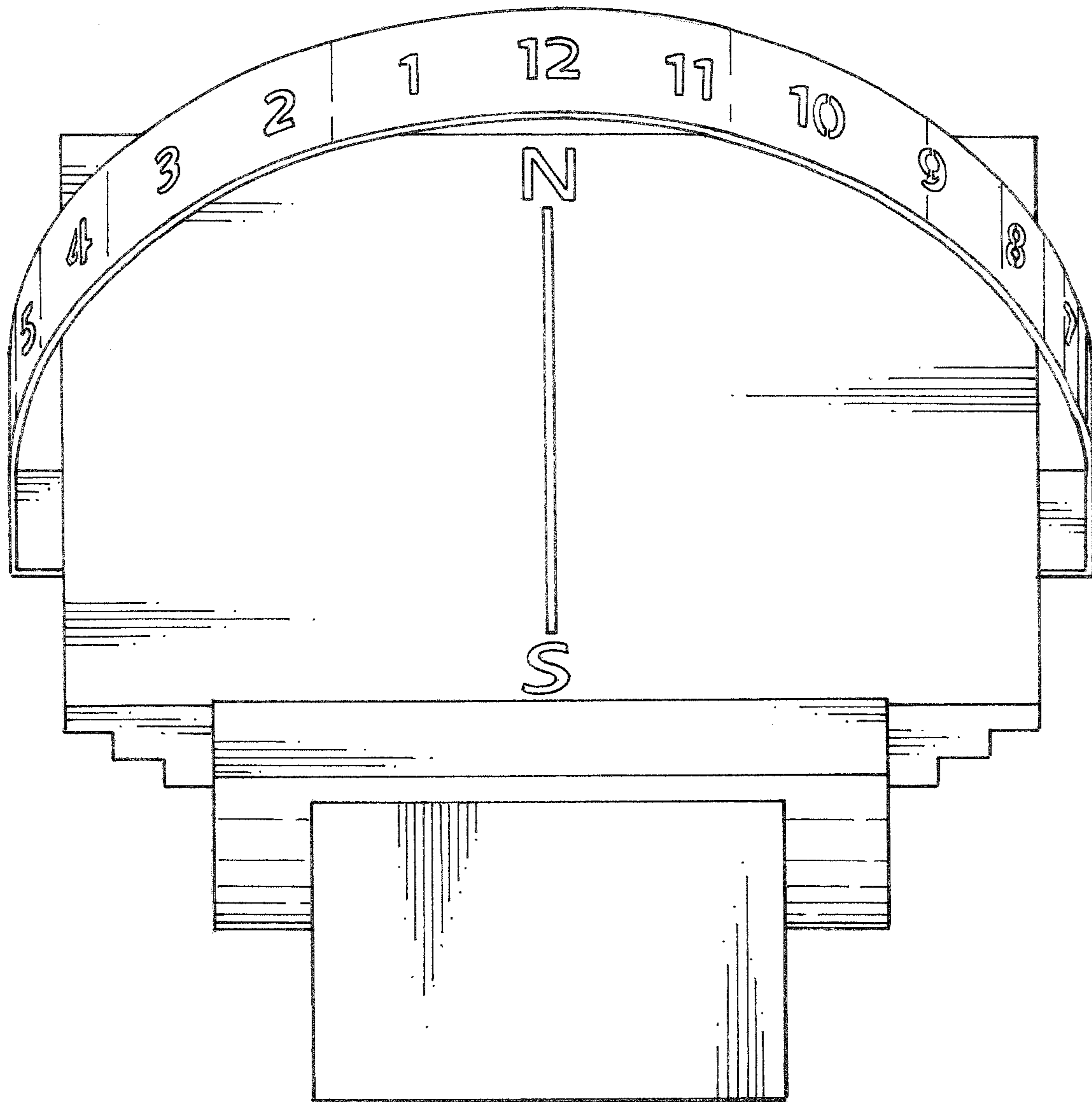


FIG. 3

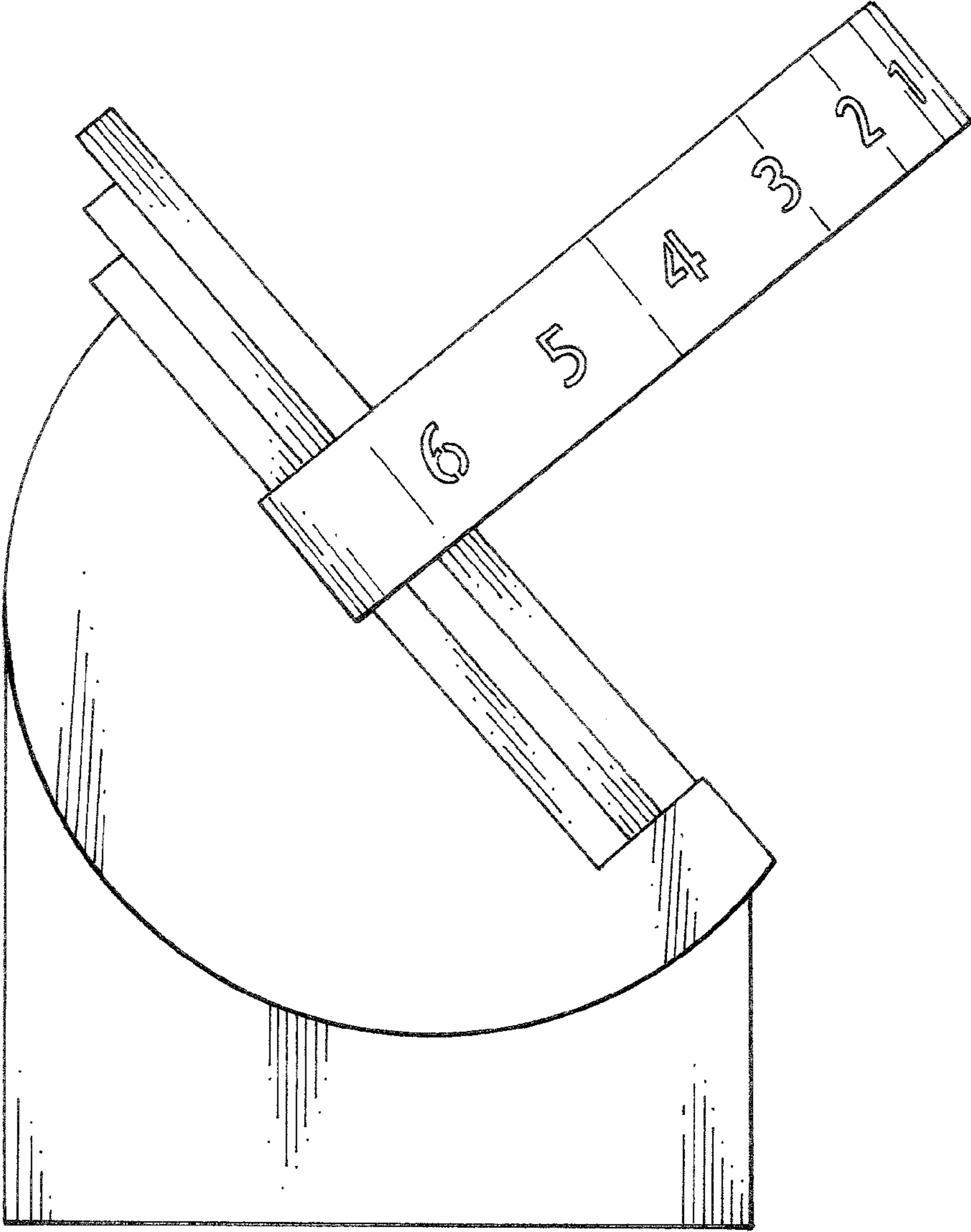


FIG. 4

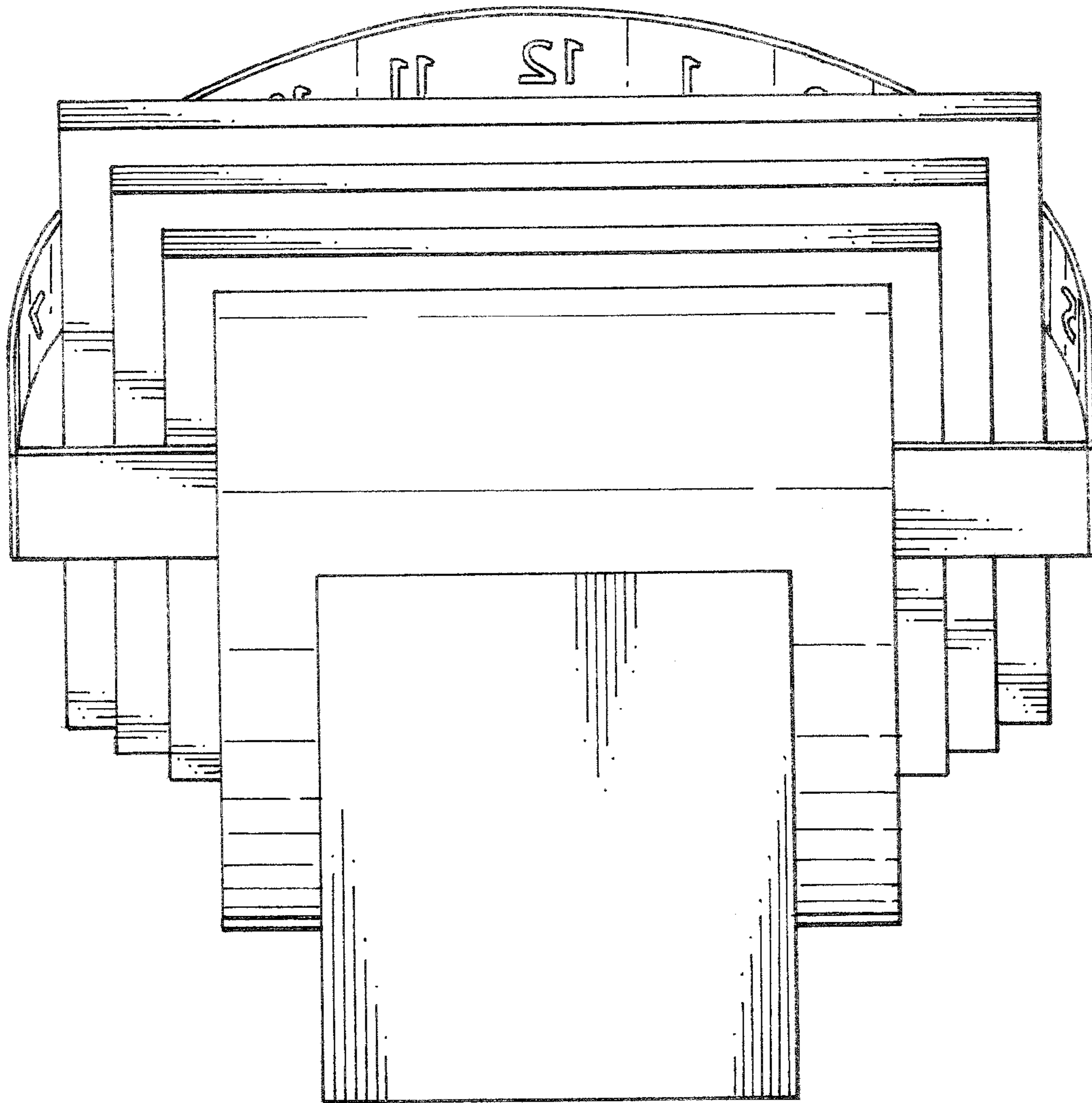


FIG. 5

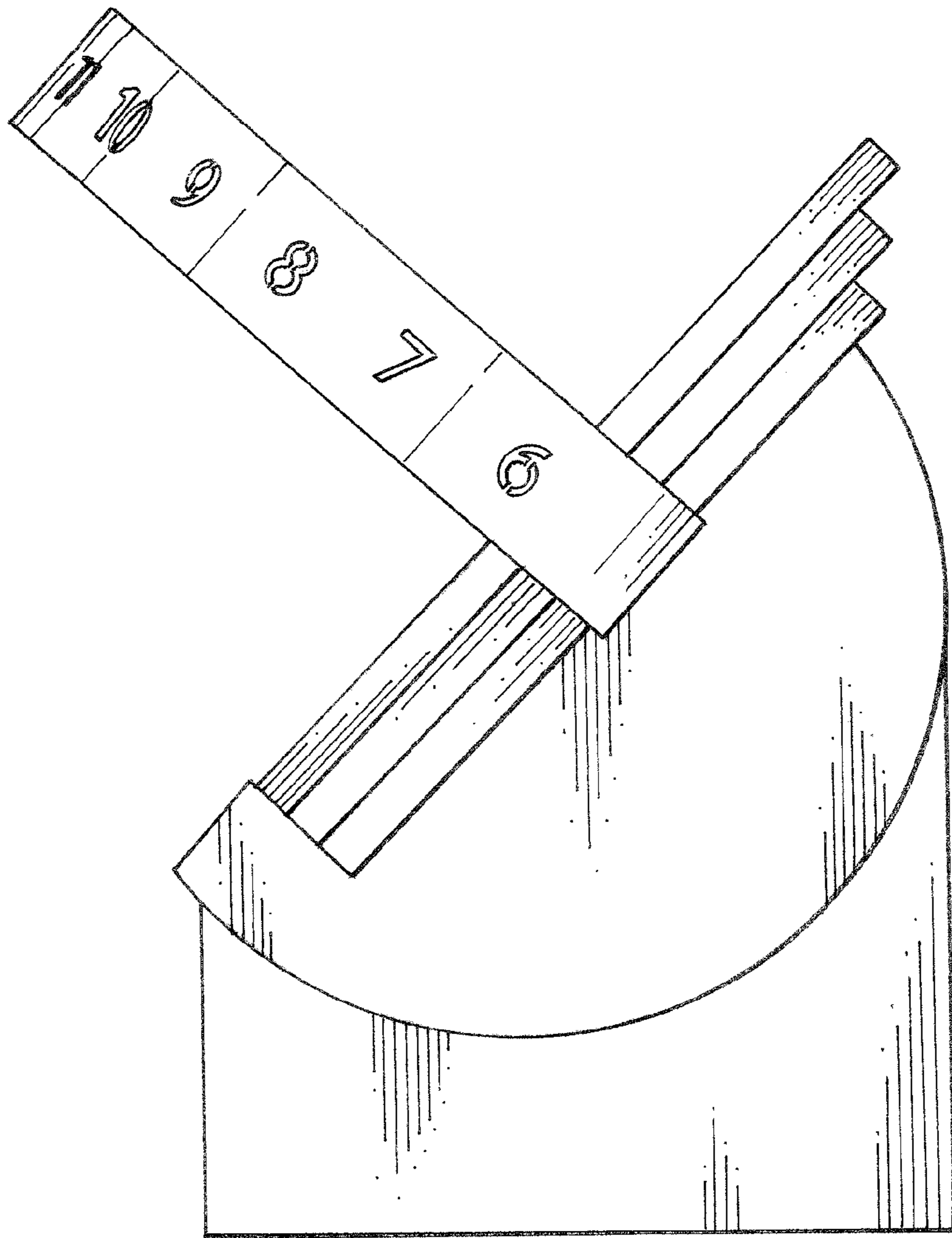


FIG. 6